



US00D847960S

(12) **United States Design Patent**  
**He et al.**

(10) **Patent No.:** **US D847,960 S**

(45) **Date of Patent:** **\*\* May 7, 2019**

(54) **HEATER**

(71) Applicant: **JIANGMEN KEYE ELECTRIC APPLIANCES MANUFACTURING CO., LTD**, Jiangmen, Guangdong Province (CN)

(72) Inventors: **Xiangming He**, Jiangmen (CN);  
**Guanglian Lin**, Jiangmen (CN)

(73) Assignee: **JIANGMEN KEYE ELECTRIC APPLIANCES MANUFACTURING CO., LTD**, Jiangmen, Guangdong Province (CN)

(\*\*) Term: **15 Years**

(21) Appl. No.: **29/646,974**

(22) Filed: **May 8, 2018**

(51) **LOC (11) Cl.** ..... **23-03**

(52) **U.S. Cl.**  
USPC ..... **D23/332**

(58) **Field of Classification Search**  
USPC ..... D23/314, 317, 329, 332, 333, 334, 335,  
D23/336, 337, 338, 339, 340, 341, 342  
CPC .... F24H 3/0488; F24H 3/0417; F24H 9/0073;  
F24H 9/1881; F23D 14/36  
See application file for complete search history.

(56) **References Cited**

**U.S. PATENT DOCUMENTS**

D152,397 S \* 1/1949 Damond ..... D23/337  
3,193,265 A \* 7/1965 Cowan ..... F24H 3/0488  
432/222

D255,489 S \* 6/1980 Kanarek ..... D23/383  
D340,765 S \* 10/1993 Joss ..... D23/332  
D567,930 S \* 4/2008 Smith ..... D23/382  
D597,639 S \* 8/2009 Chen Lee ..... D23/328  
7,600,998 B1 \* 10/2009 Pitchford ..... F24H 3/0488  
432/222  
D606,637 S \* 12/2009 Wakabayashi ..... D23/317  
D686,713 S \* 7/2013 Kimpara ..... D23/332  
8,485,175 B1 \* 7/2013 Hayes ..... F24H 3/02  
126/110 B  
D717,416 S \* 11/2014 Wakabayashi ..... D23/332  
D834,692 S \* 11/2018 Costamagna ..... D23/317

\* cited by examiner

*Primary Examiner* — T Chase Nelson

*Assistant Examiner* — Aria Aman

(74) *Attorney, Agent, or Firm* — Innovation Capital Law Group, LLP; Vic Lin

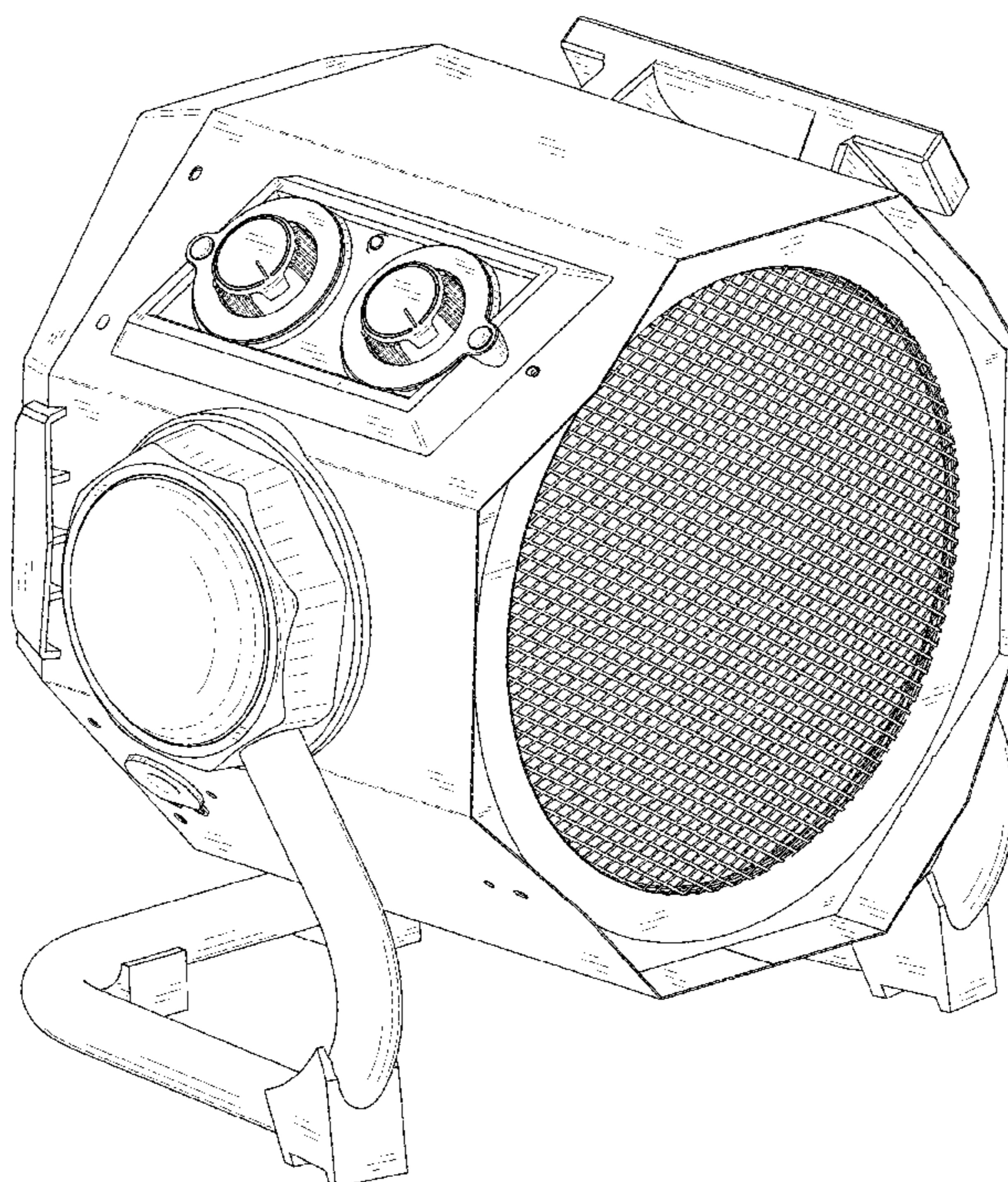
(57) **CLAIM**

The ornamental design for a heater, as shown and described.

**DESCRIPTION**

FIG. 1 is a front elevation view of a heater;  
FIG. 2 is a rear elevation view thereof;  
FIG. 3 is a right elevation view thereof;  
FIG. 4 is a left elevation view thereof;  
FIG. 5 is a top plan view thereof;  
FIG. 6 is a bottom plan view thereof; and,  
FIG. 7 is a perspective view thereof.

**1 Claim, 7 Drawing Sheets**





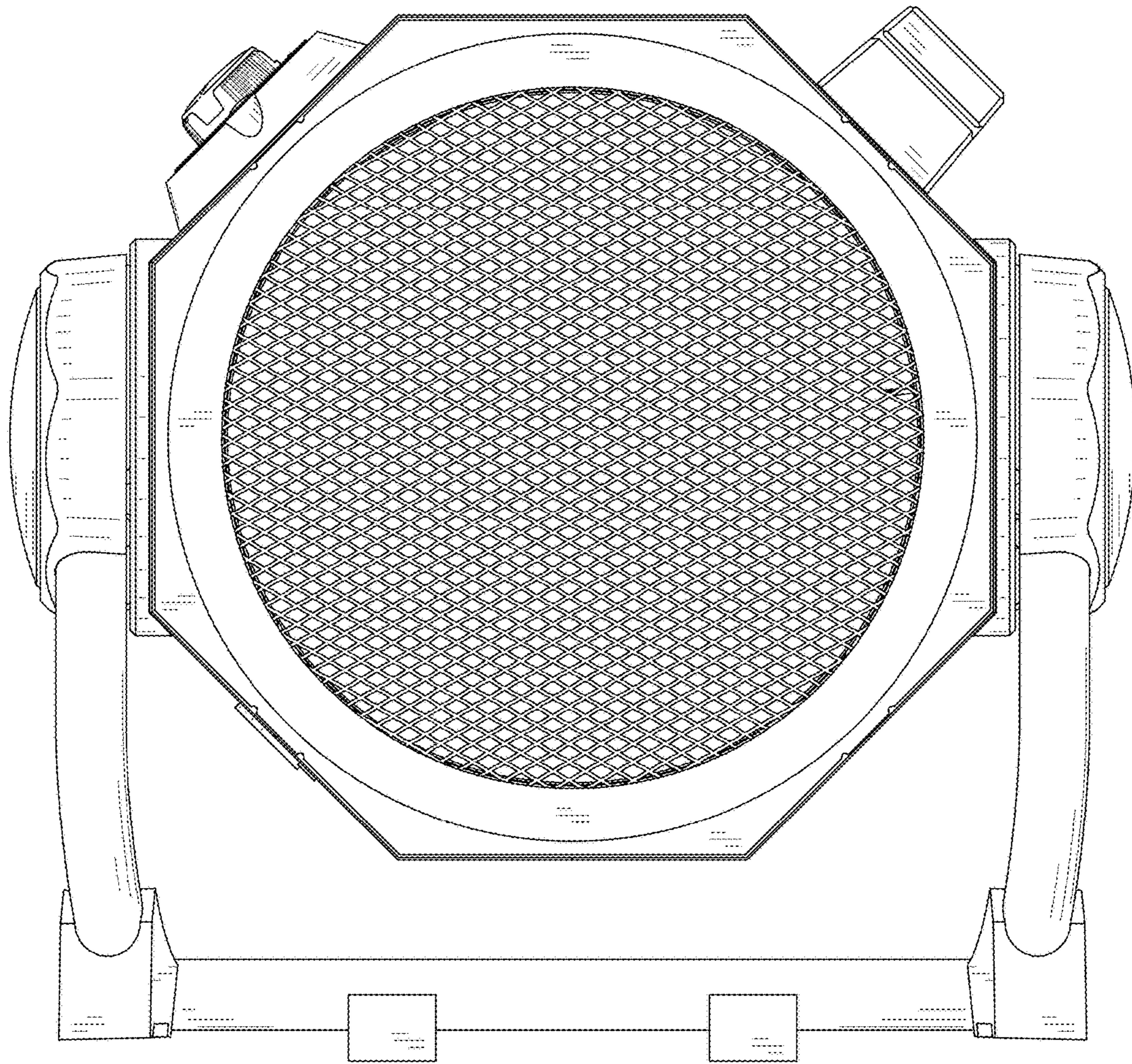


FIG. 1



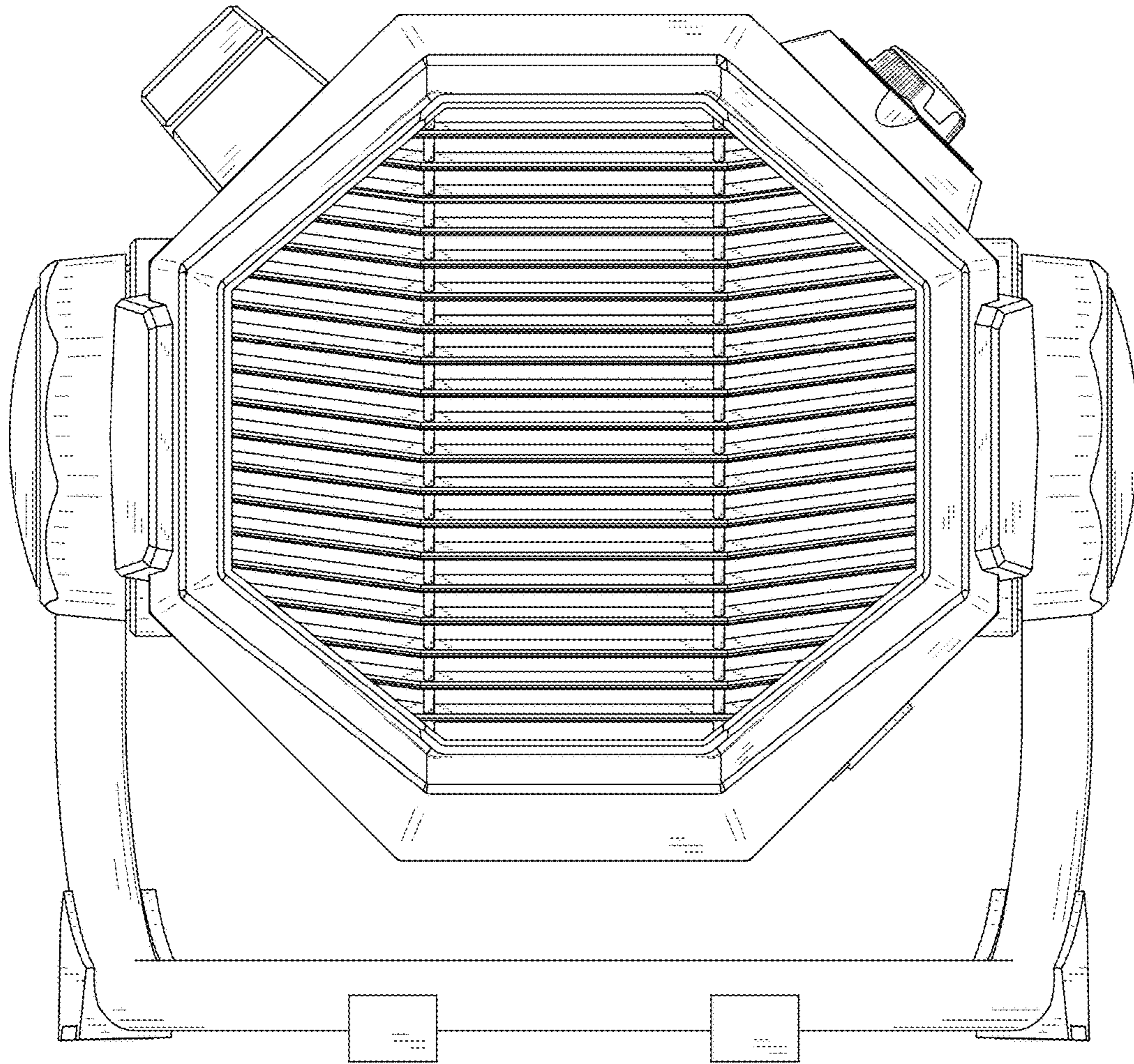


FIG. 2

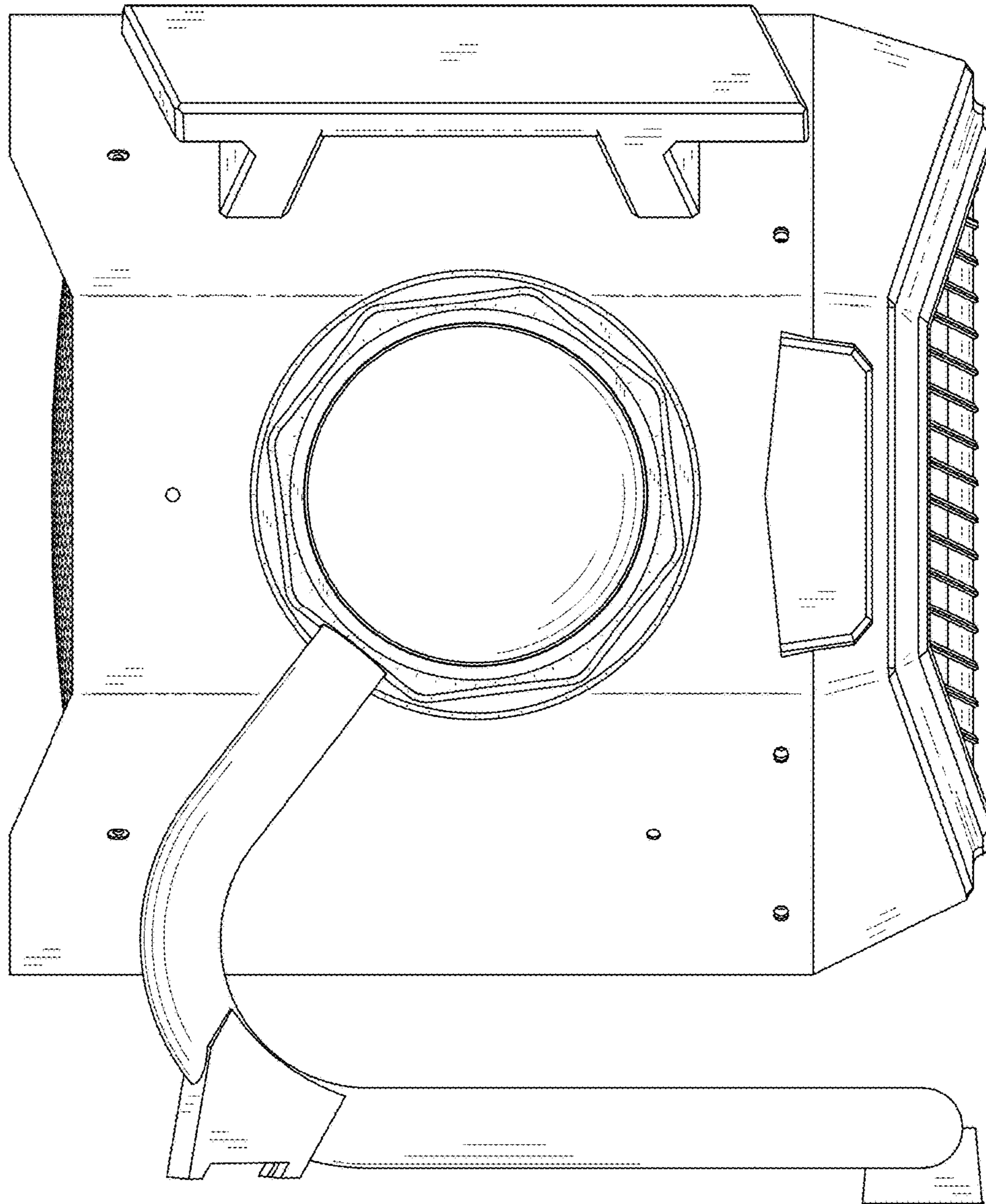


FIG. 3

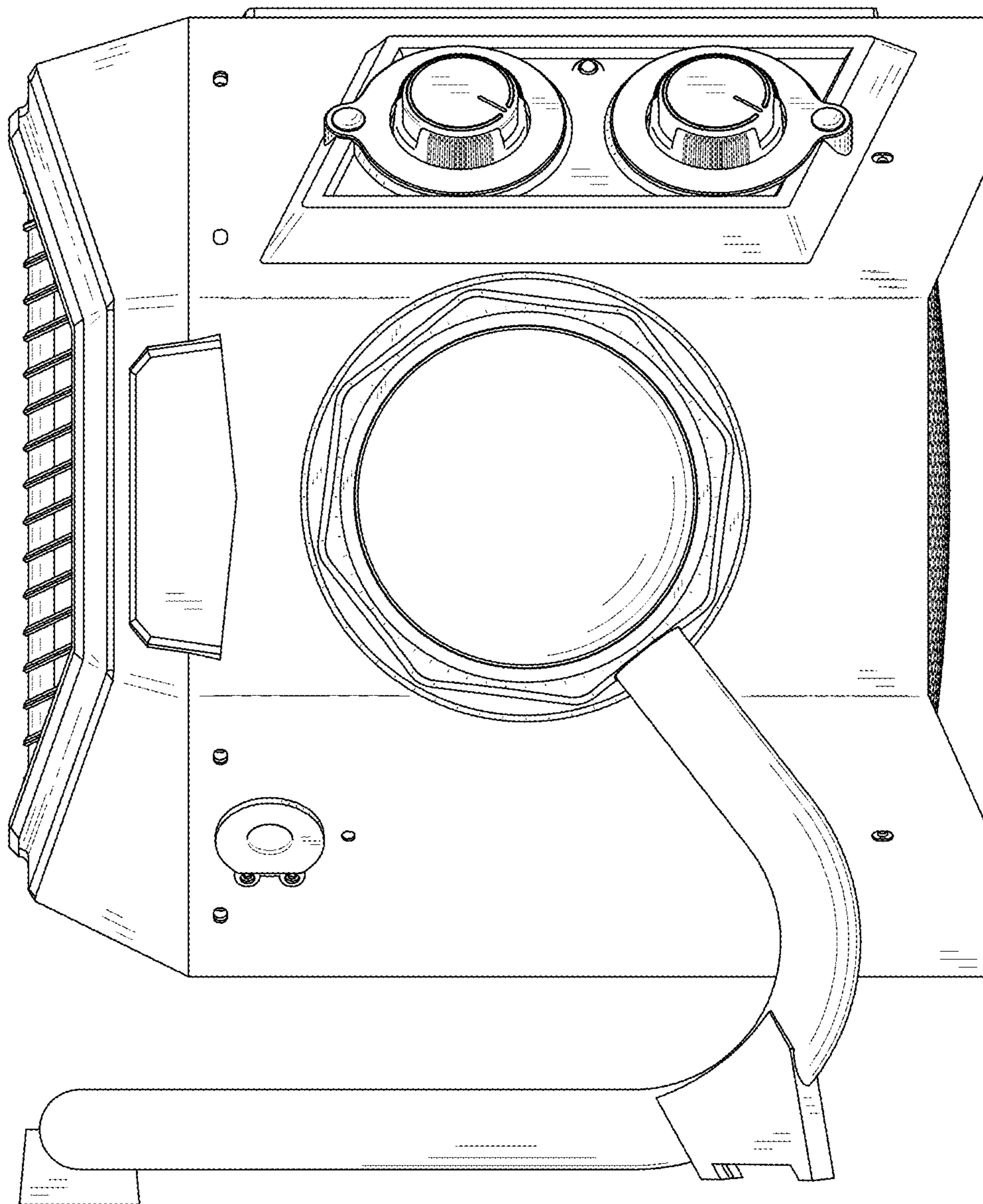


FIG. 4



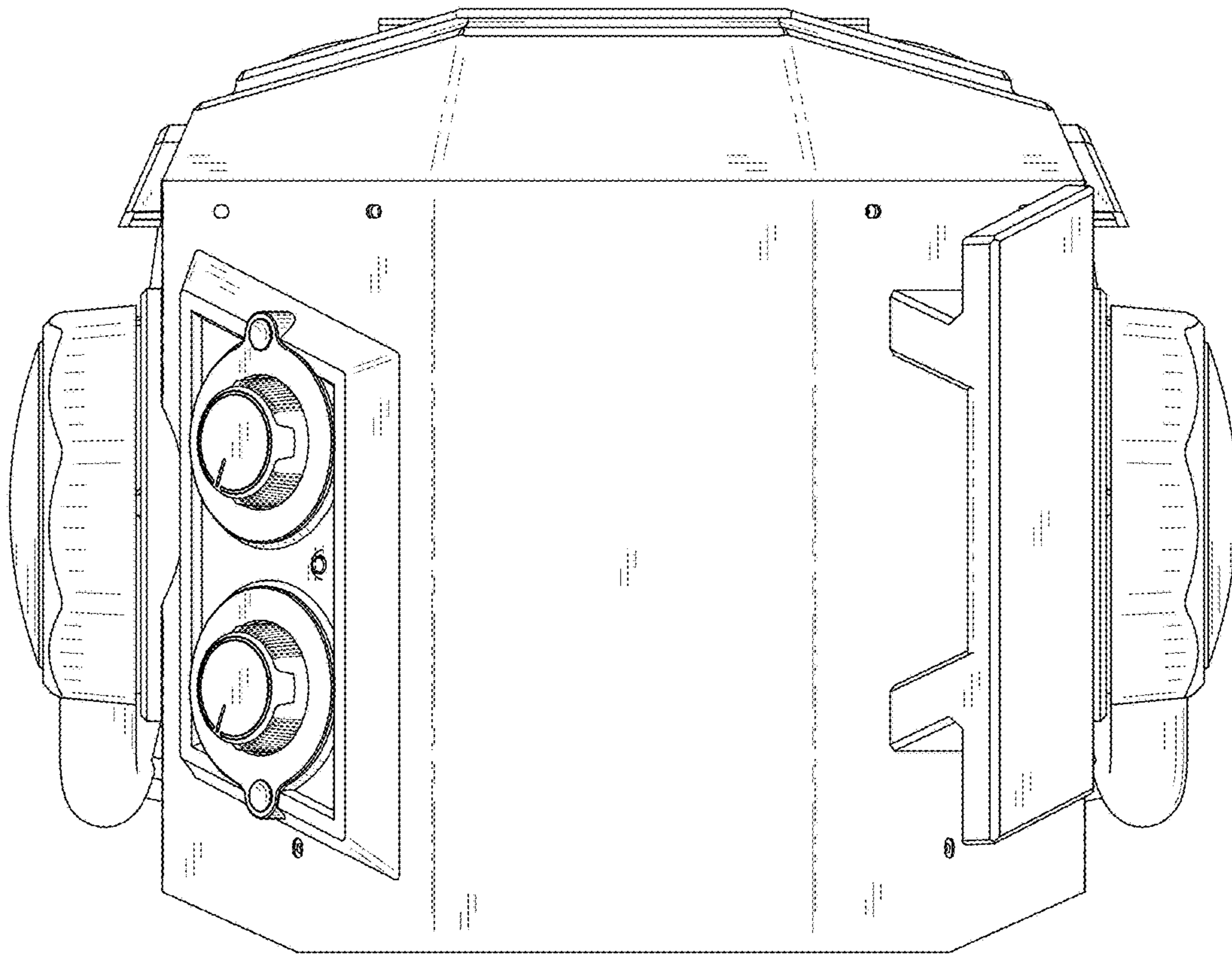


FIG. 5

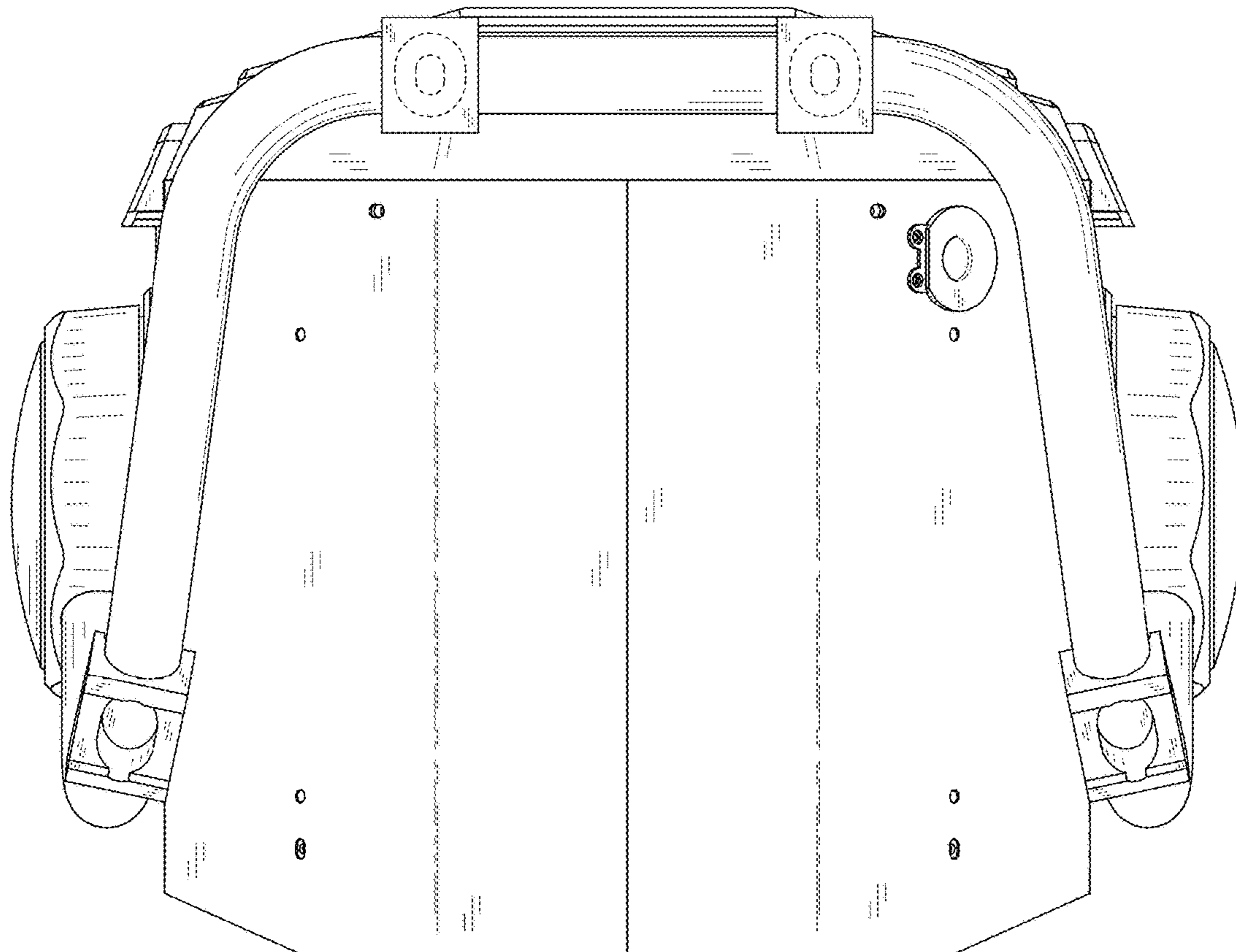


FIG. 6



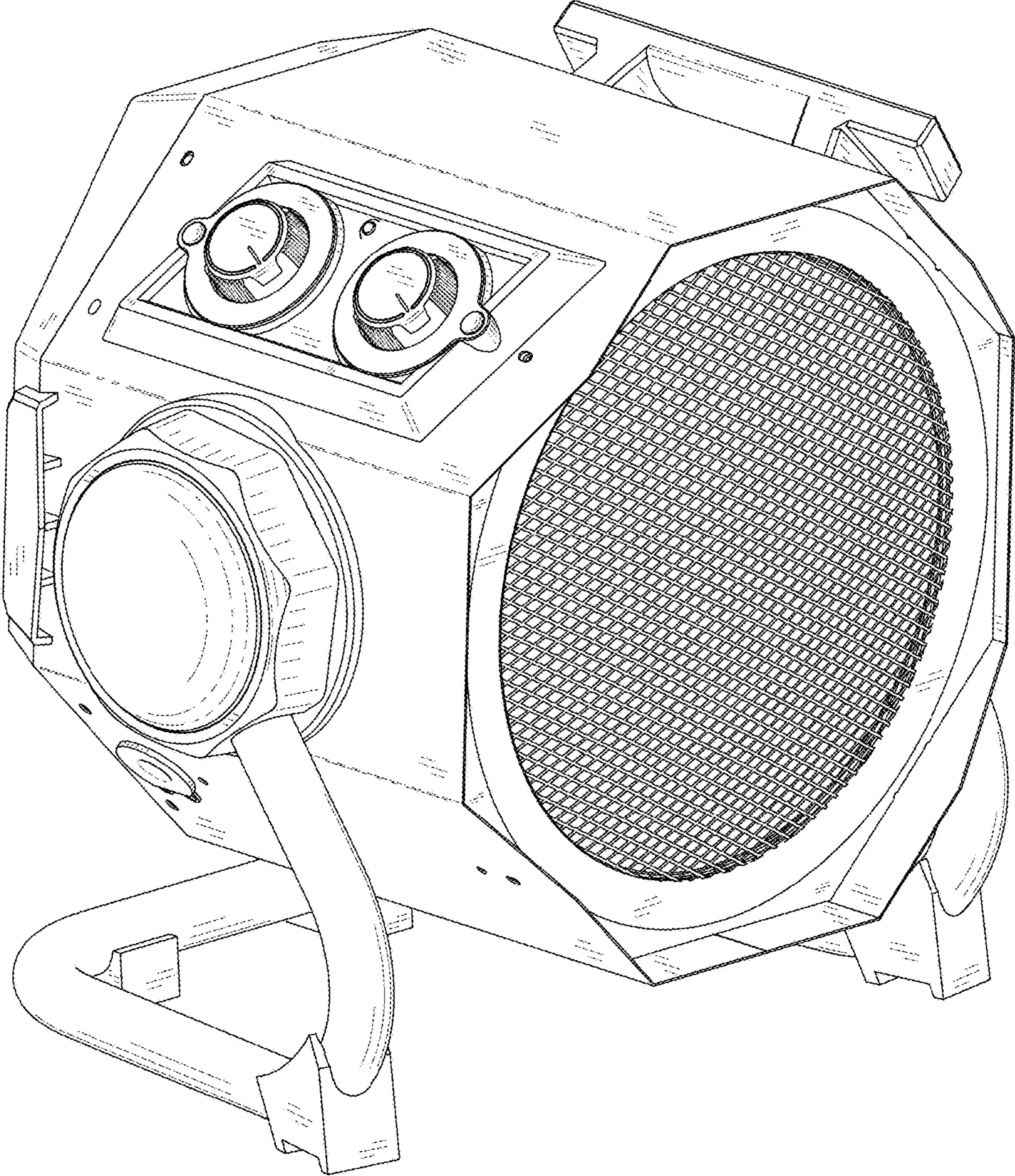


FIG. 7