



US00D847959S

(12) **United States Design Patent** (10) **Patent No.:** **US D847,959 S**
Bucher (45) **Date of Patent:** **** May 7, 2019**

(54) **TOILET**

(71) Applicant: **AS IP HOLDCO, LLC**, Piscataway, NJ (US)

(72) Inventor: **Christophe Bucher**, Hillsborough, NJ (US)

(73) Assignee: **AS IP HOLDCO, LLC**, Piscataway, NJ (US)

(**) Term: **15 Years**

(21) Appl. No.: **29/629,325**

(22) Filed: **Dec. 12, 2017**

(51) **LOC (11) Cl.** **23-02**

(52) **U.S. Cl.**
USPC **D23/301**

(58) **Field of Classification Search**
USPC D23/295, 300, 301, 303, 309, 313,
D23/273-274
CPC A47K 11/00; A47K 13/00; Y10S 4/05
See application file for complete search history.

(56) **References Cited**

U.S. PATENT DOCUMENTS

D387,858 S	*	12/1997	McKeone	D23/301
D484,579 S	*	12/2003	Bennie	D23/295
D621,013 S	*	8/2010	Bucher	D23/301
D647,184 S	*	10/2011	Bates	D23/295
D706,400 S	*	6/2014	Spangler	D23/301
D827,109 S	*	8/2018	Goad	D23/301

OTHER PUBLICATIONS

American Standard Town Square FloWise 2-piece 1.28 GPF Single Flush Right Height Elongated Toilet in White; a copy of webpage

(5 pages); https://www.homedepot.com/p/American-Standard-Town-Square-FloWise-2-piece-1-28-GPF-Single-Flush-Right-Height-Elongated-Toilet-in-White-2817-128-020/202810948?cm_mmc=Shopping|THD|DigitalDecor|google|D29B+Fixtures|_pkw_pmt_product_202810948&mid=sf107jA3Zl Nov. 21, 2017 dc_mtid_8903yuu57254_pcrd_50344077222_pkw_pmt_product_202810948_slid_&gclid=EAIaIQobChMI9aLZ0Nnp1wIVxYuzC.
American Standard Town Square FloWise 2-piece 1.28 GPF Single Flush Right Height Elongated Toilet in White; a copy of webpage (5 pages); <https://www.homedepot.com/p/American-Standard-Town-Square-FloWise-2-piece-1-28-GPF-Single-Flush-Tall-Height-Elongated-Toilet-in-White-2817-128-020/202810948>; retrieved online Nov. 21, 2017.

* cited by examiner

Primary Examiner — Robert A Delehanty
(74) *Attorney, Agent, or Firm* — Michele V. Frank; Venable LLP

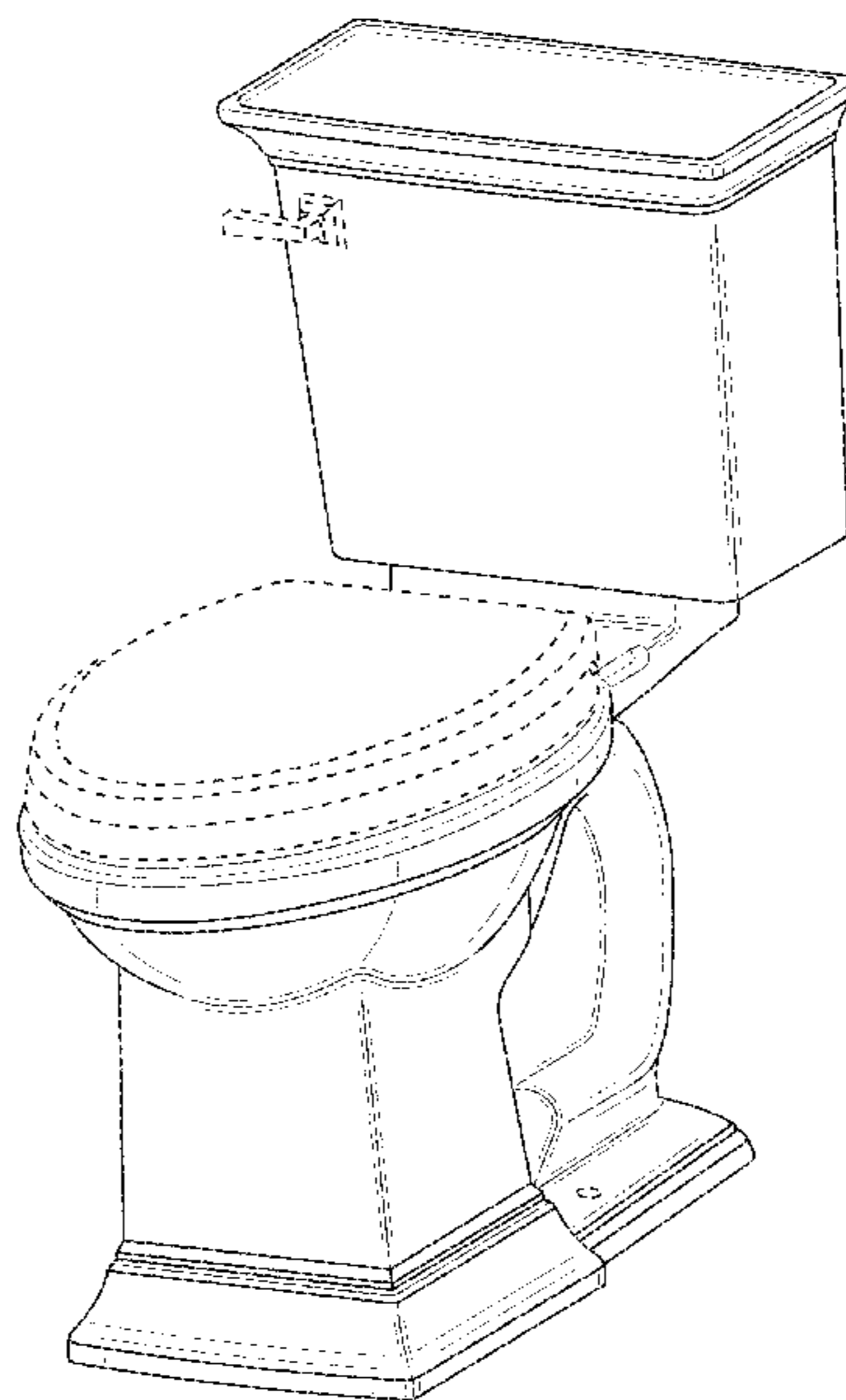
(57) **CLAIM**

The ornamental design for a toilet, as shown and described.

DESCRIPTION

FIG. 1 is a perspective view of an embodiment of the claimed design;
FIG. 2 is a front view thereof;
FIG. 3 is a rear view thereof;
FIG. 4 is a right side view thereof;
FIG. 5 is a left side view thereof;
FIG. 6 is a top view thereof; and,
FIG. 7 is a bottom view thereof.
The features shown in broken lines form no part of the claimed design.

1 Claim, 7 Drawing Sheets



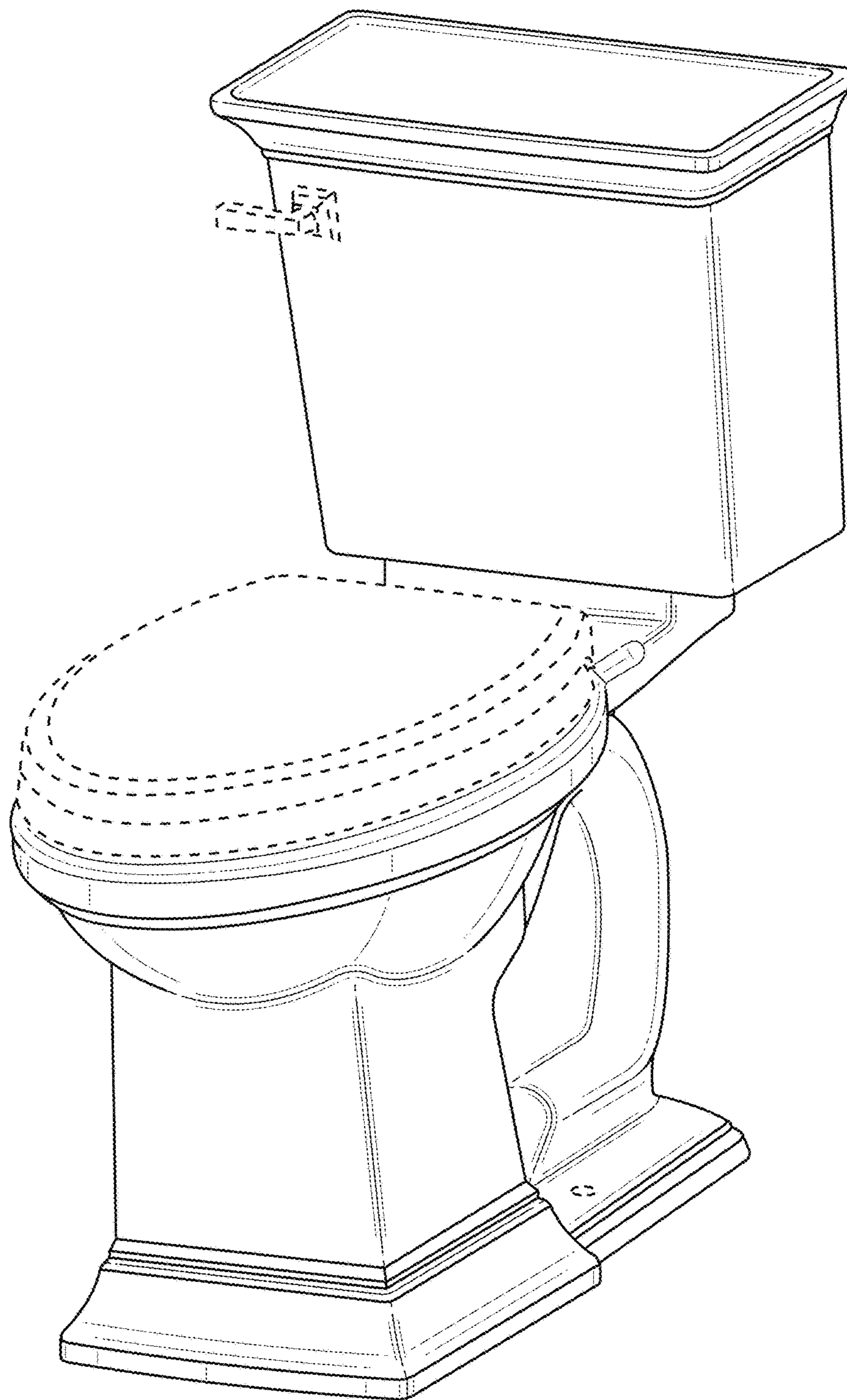


FIG. 1

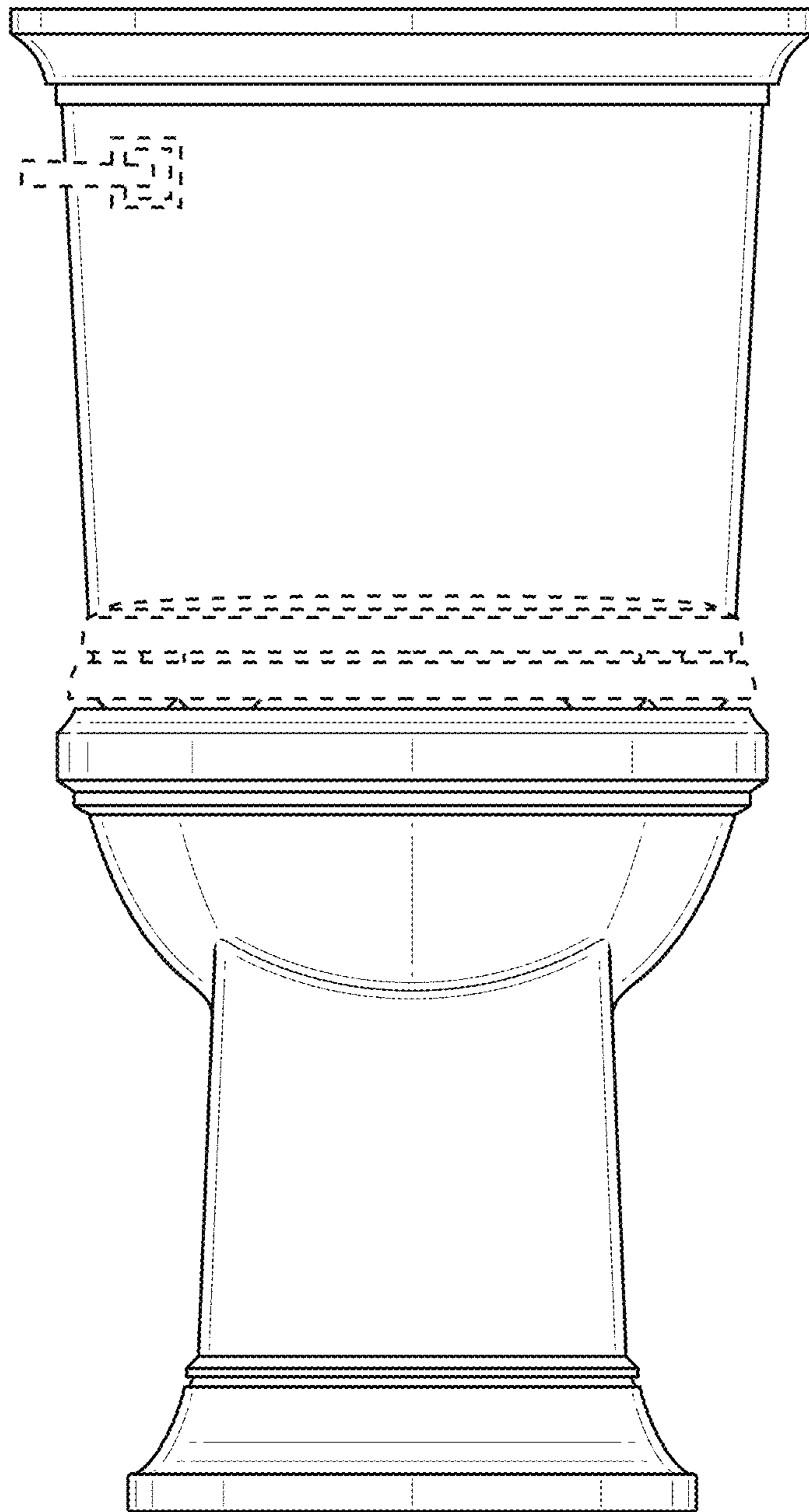


FIG. 2

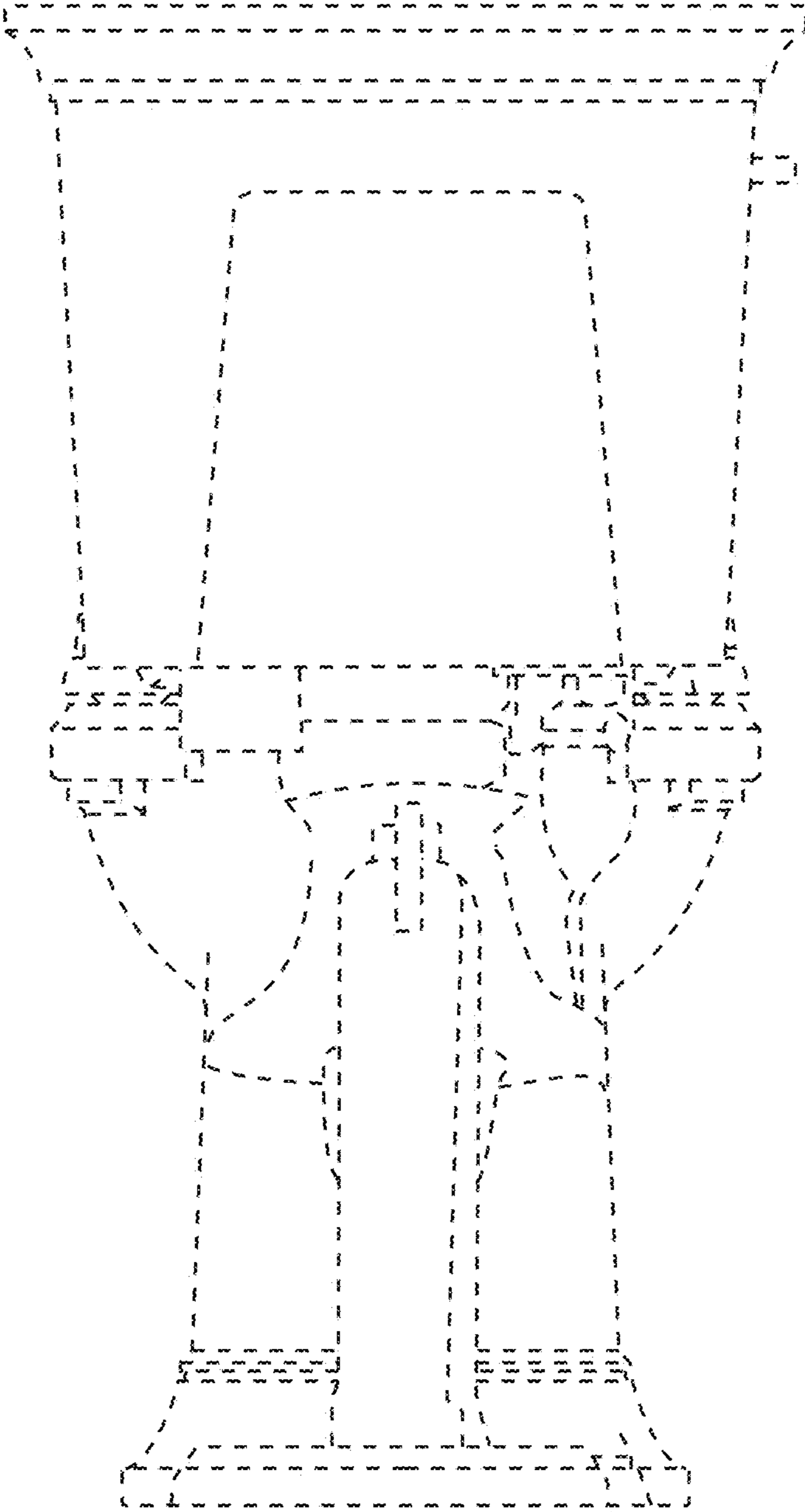


FIG. 3

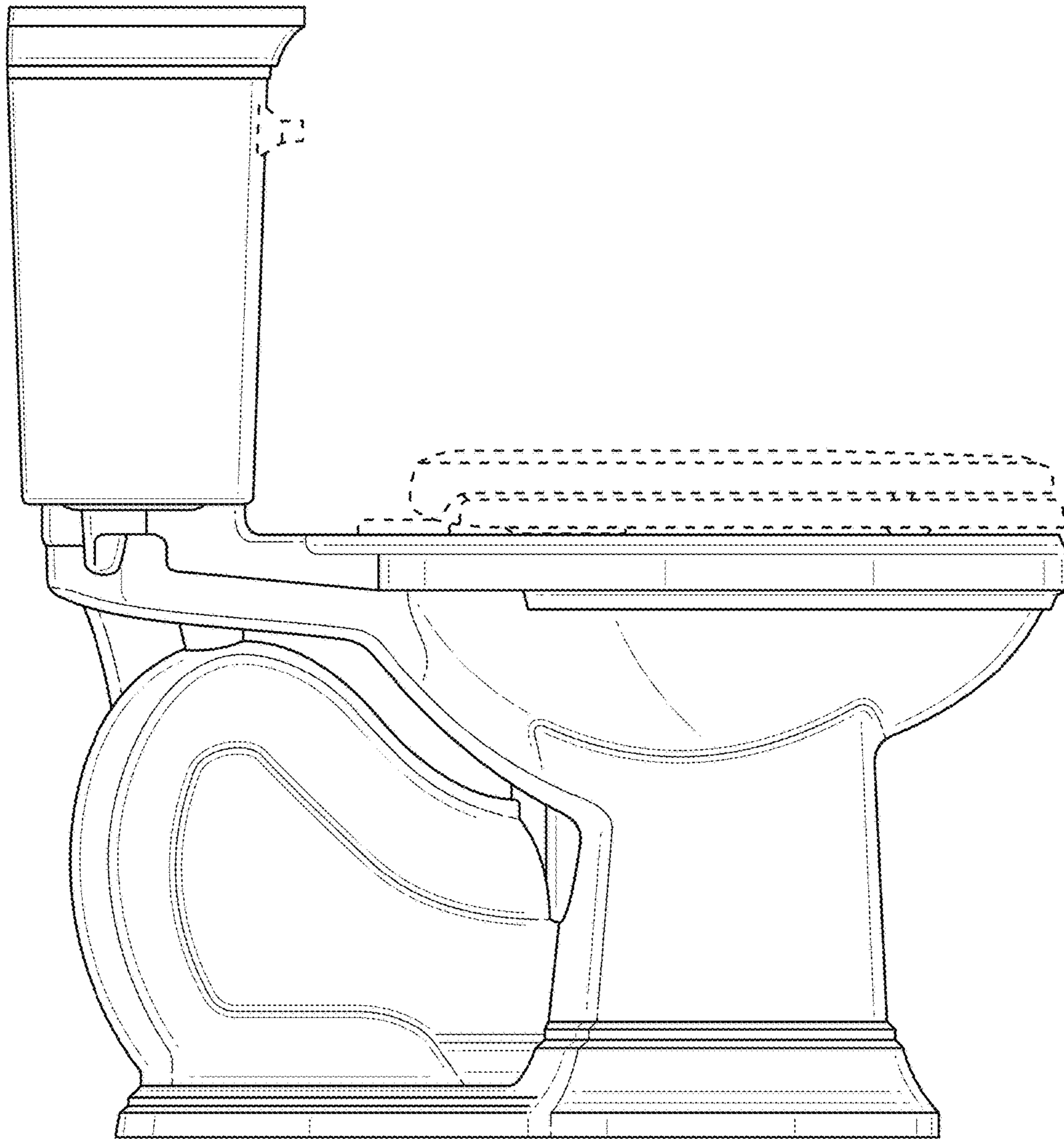


FIG. 4

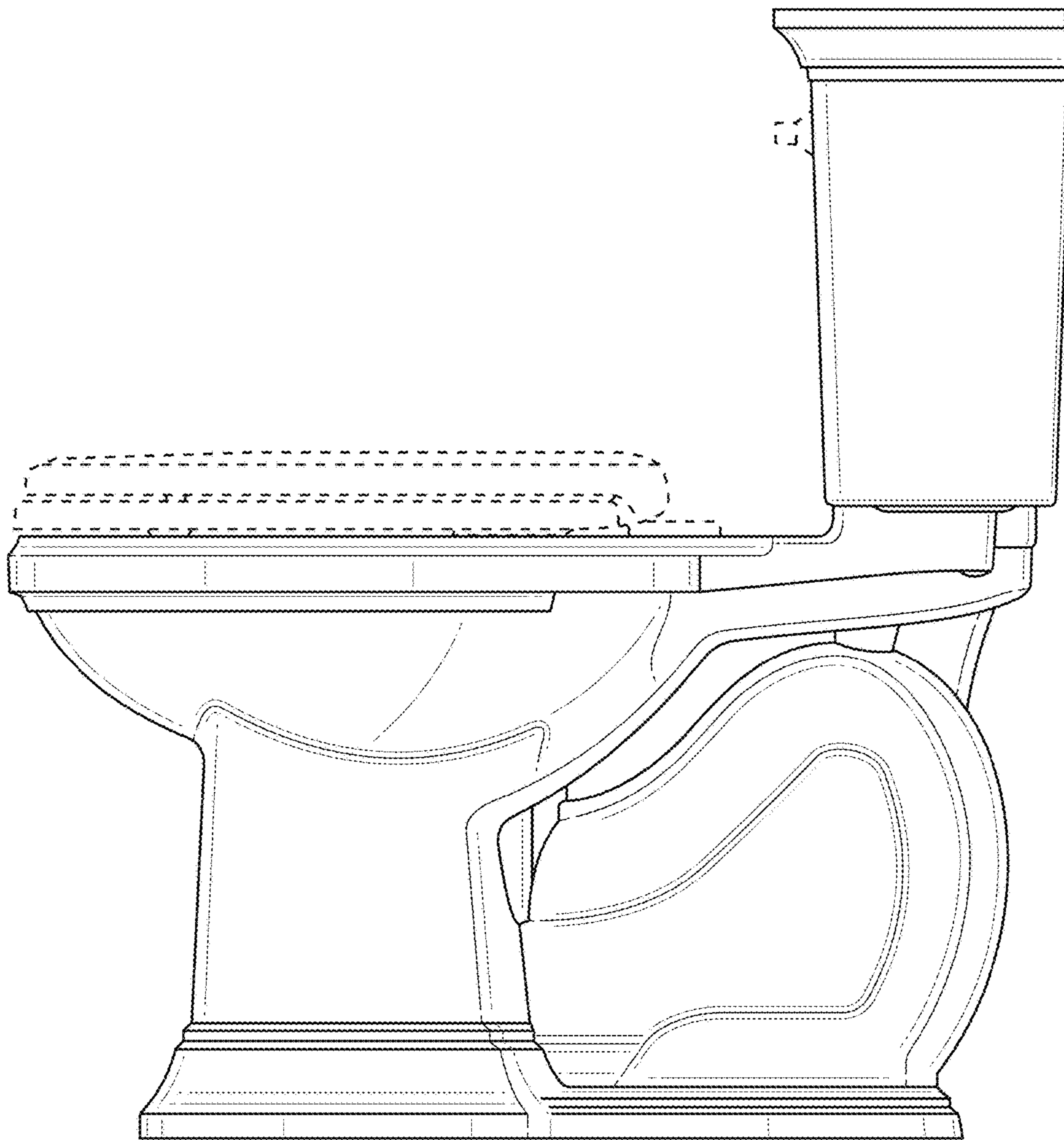


FIG. 5

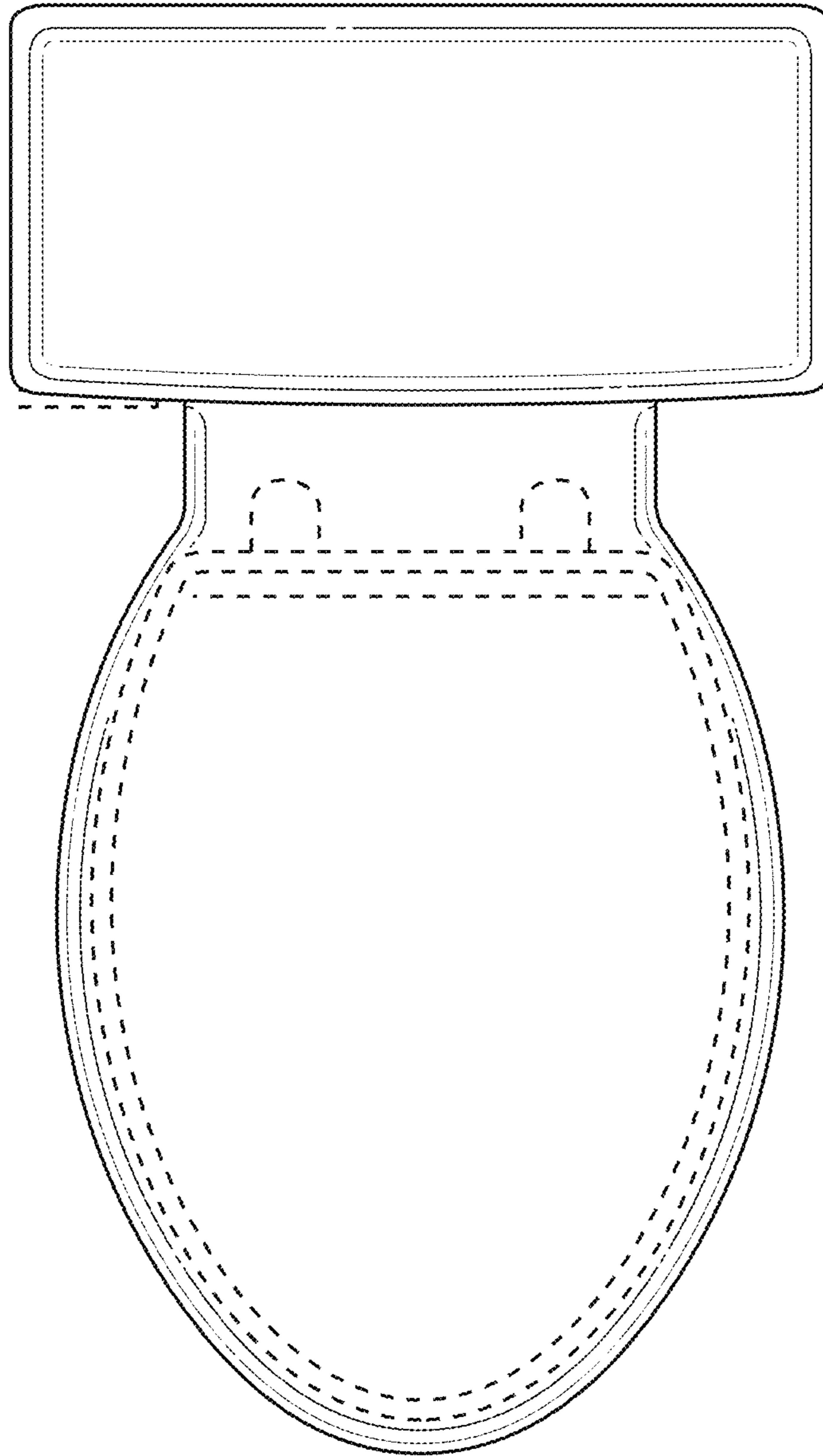


FIG. 6

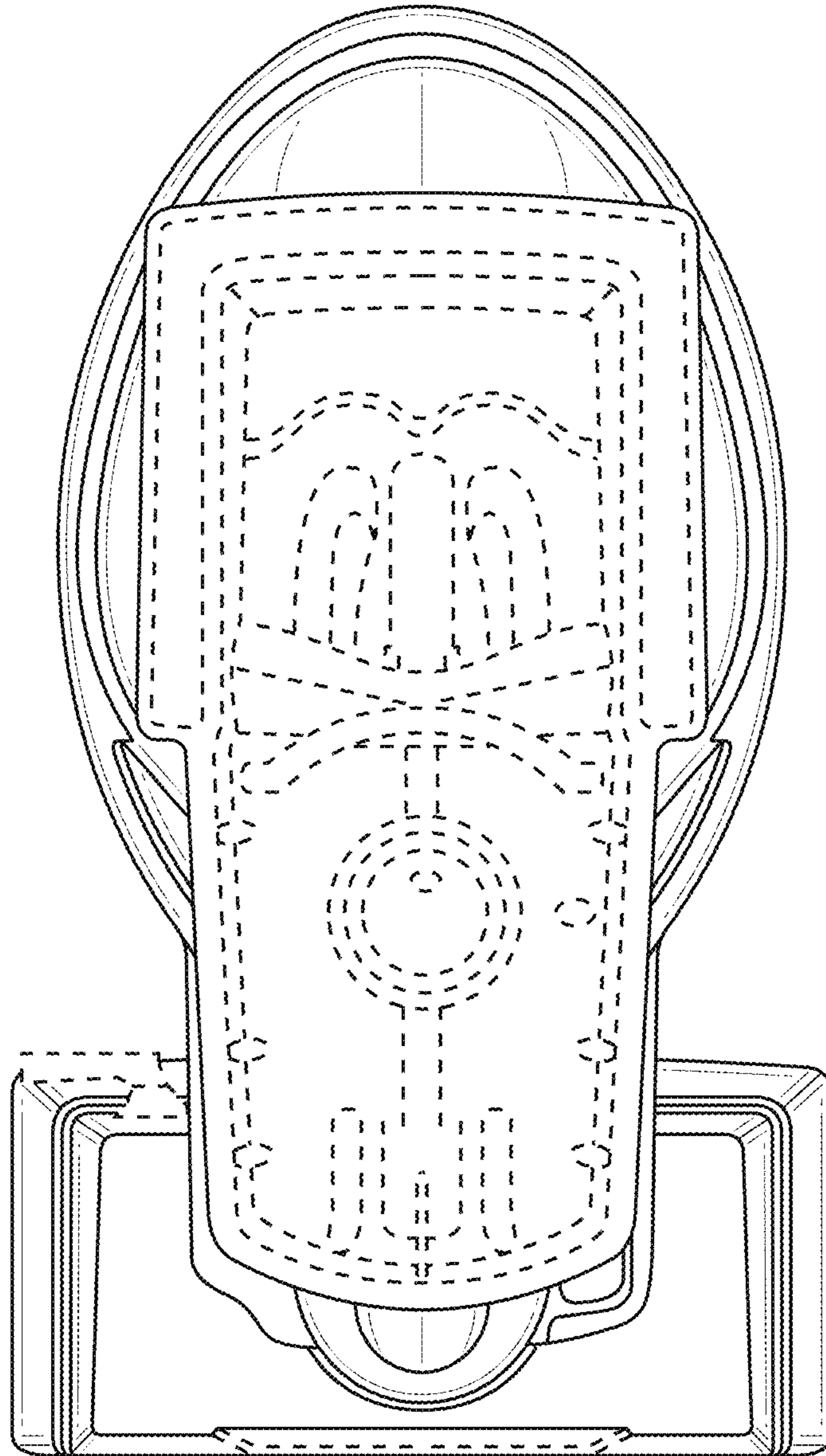


FIG. 7