



US00D847958S

(12) **United States Design Patent**
Liu et al.

(10) **Patent No.:** **US D847,958 S**

(45) **Date of Patent:** **** May 7, 2019**

(54) **TOILET**

(71) Applicants: **Po-Chun Liu**, Taipei (TW); **Shi-Kuan Chen**, Taipei (TW); **Wei-Jun Wang**, Taipei (TW); **Wen-Yi Chiu**, Taipei (TW); **Ruei-Hong Hong**, Taipei (TW)

(72) Inventors: **Po-Chun Liu**, Taipei (TW); **Shi-Kuan Chen**, Taipei (TW); **Wei-Jun Wang**, Taipei (TW); **Wen-Yi Chiu**, Taipei (TW); **Ruei-Hong Hong**, Taipei (TW)

(73) Assignee: **COMPAL ELECTRONICS, INC.**, Taipei (TW)

(**) Term: **15 Years**

(21) Appl. No.: **29/634,803**

(22) Filed: **Jan. 25, 2018**

(51) **LOC (11) Cl.** **23-02**

(52) **U.S. Cl.**
USPC **D23/299**

(58) **Field of Classification Search**
USPC D23/295–296, 299–300, 303, 309, 313,
D23/273–274
CPC A47K 11/00; A47K 13/00; A47K 11/02;
Y10S 4/05
See application file for complete search history.

(56) **References Cited**

U.S. PATENT DOCUMENTS

D509,288 S * 9/2005 Gordon D23/295
D531,711 S * 11/2006 Bradford D23/295

D604,812 S * 11/2009 Kuang D23/295
D642,247 S * 7/2011 Jiang D23/295
D667,941 S * 9/2012 Bickerstaffe D23/295
D766,405 S * 9/2016 Flowers D23/300
D811,562 S * 2/2018 Snyder D23/295

* cited by examiner

Primary Examiner — Robert A Delehanty
(74) *Attorney, Agent, or Firm* — JCIPRNET

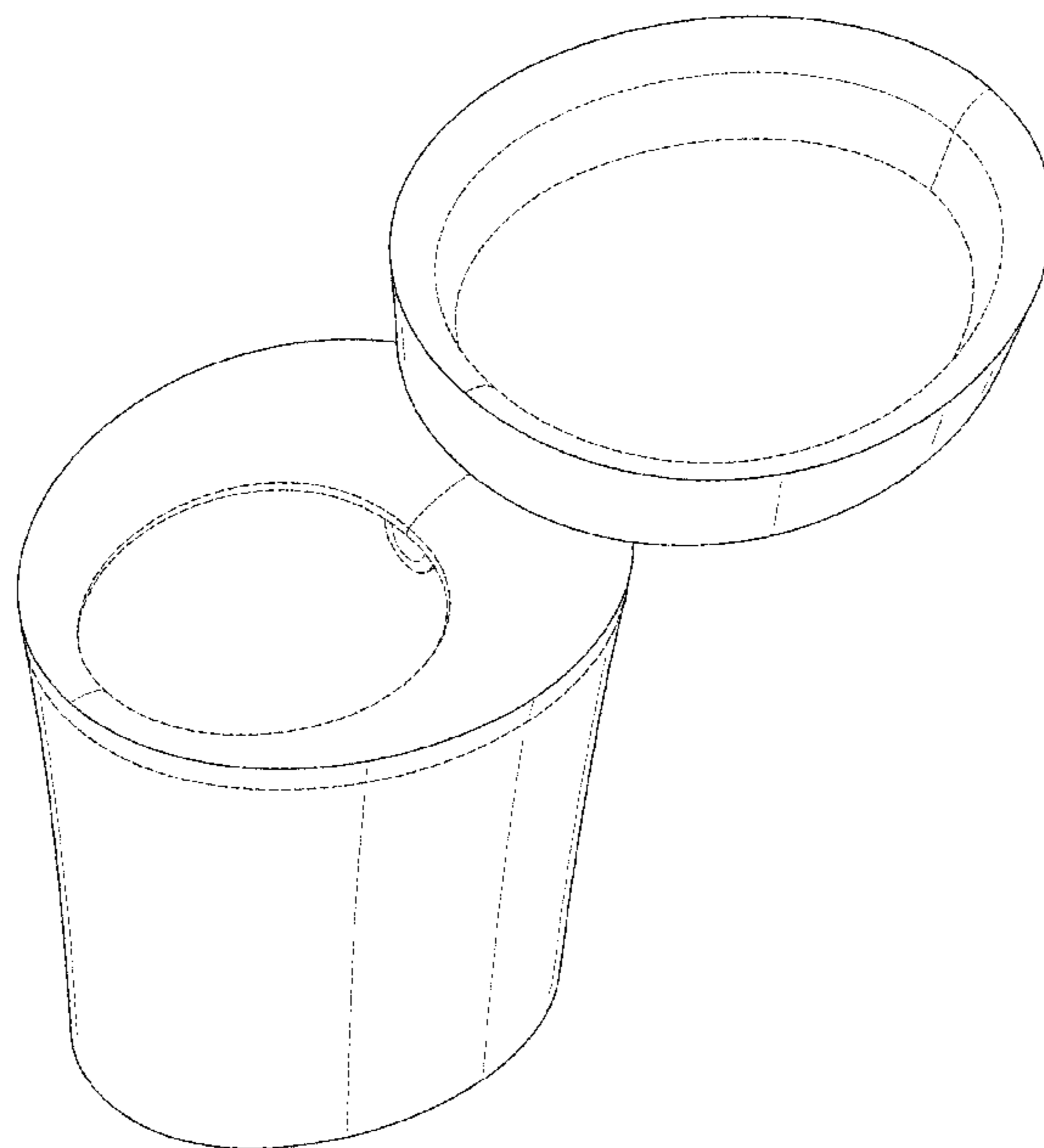
(57) **CLAIM**

The ornamental design for a toilet, as shown and described.

DESCRIPTION

FIG. 1 is a perspective view of a toilet showing our new design;
FIG. 2 is a front view thereof;
FIG. 3 is a rear view thereof;
FIG. 4 is a left side view thereof;
FIG. 5 is a right side view thereof;
FIG. 6 is a top view thereof;
FIG. 7 is a bottom view thereof;
FIG. 8 is a perspective view of a toilet with the cover rotated;
FIG. 9 is a front view thereof with the cover rotated;
FIG. 10 is a rear view thereof with the cover rotated;
FIG. 11 is a left side view thereof with the cover rotated;
FIG. 12 is a right side view thereof with the cover rotated;
FIG. 13 is a top view thereof with the cover rotated; and,
FIG. 14 is a bottom view thereof with the cover rotated.
The dashed broken lines illustrate portions of the toilet and form no part of the claimed design. The dot-dashed broken lines in FIGS. 7 and 14 represent a boundary of the claimed design and form no part thereof.

1 Claim, 14 Drawing Sheets



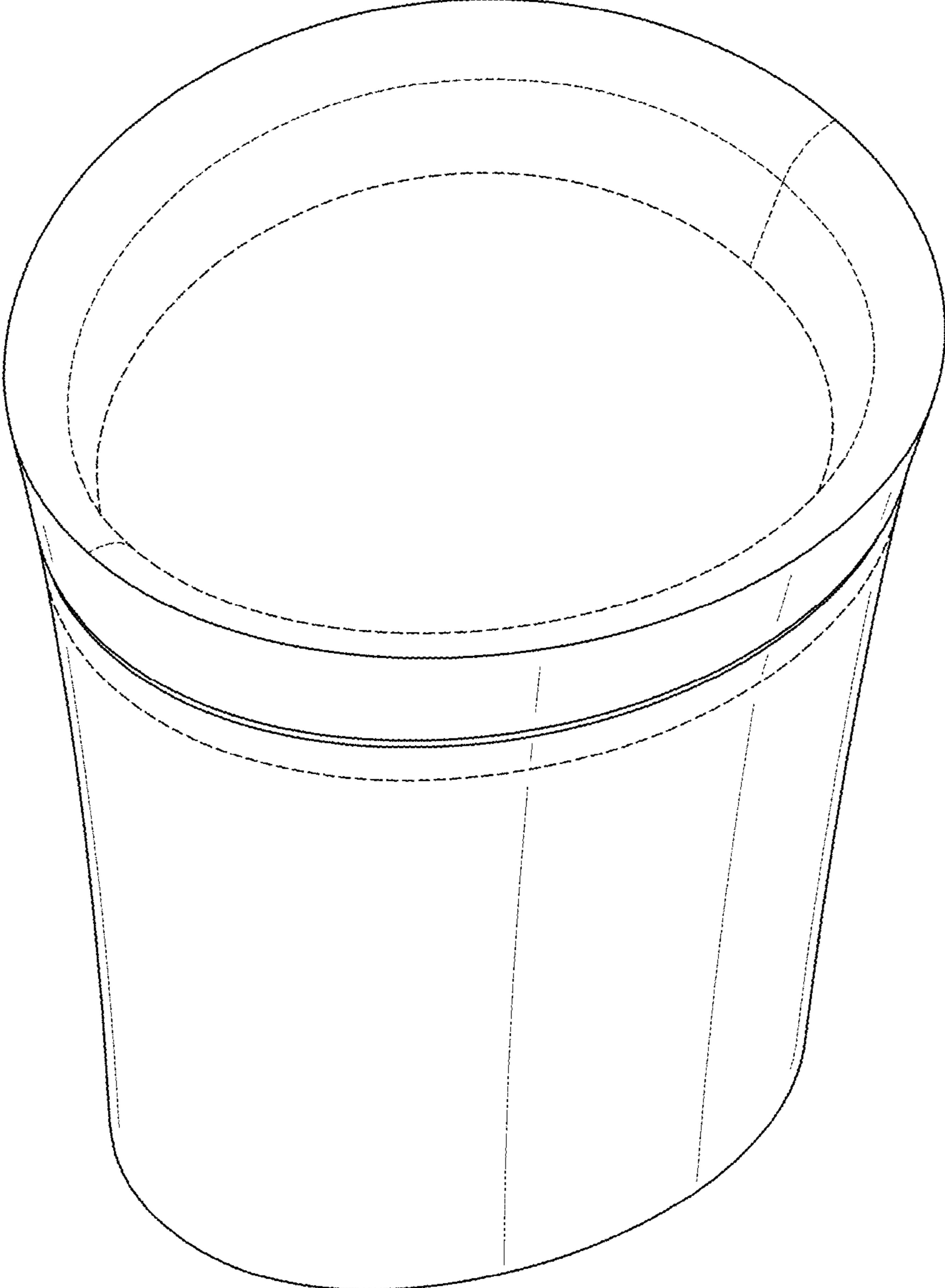


FIG. 1

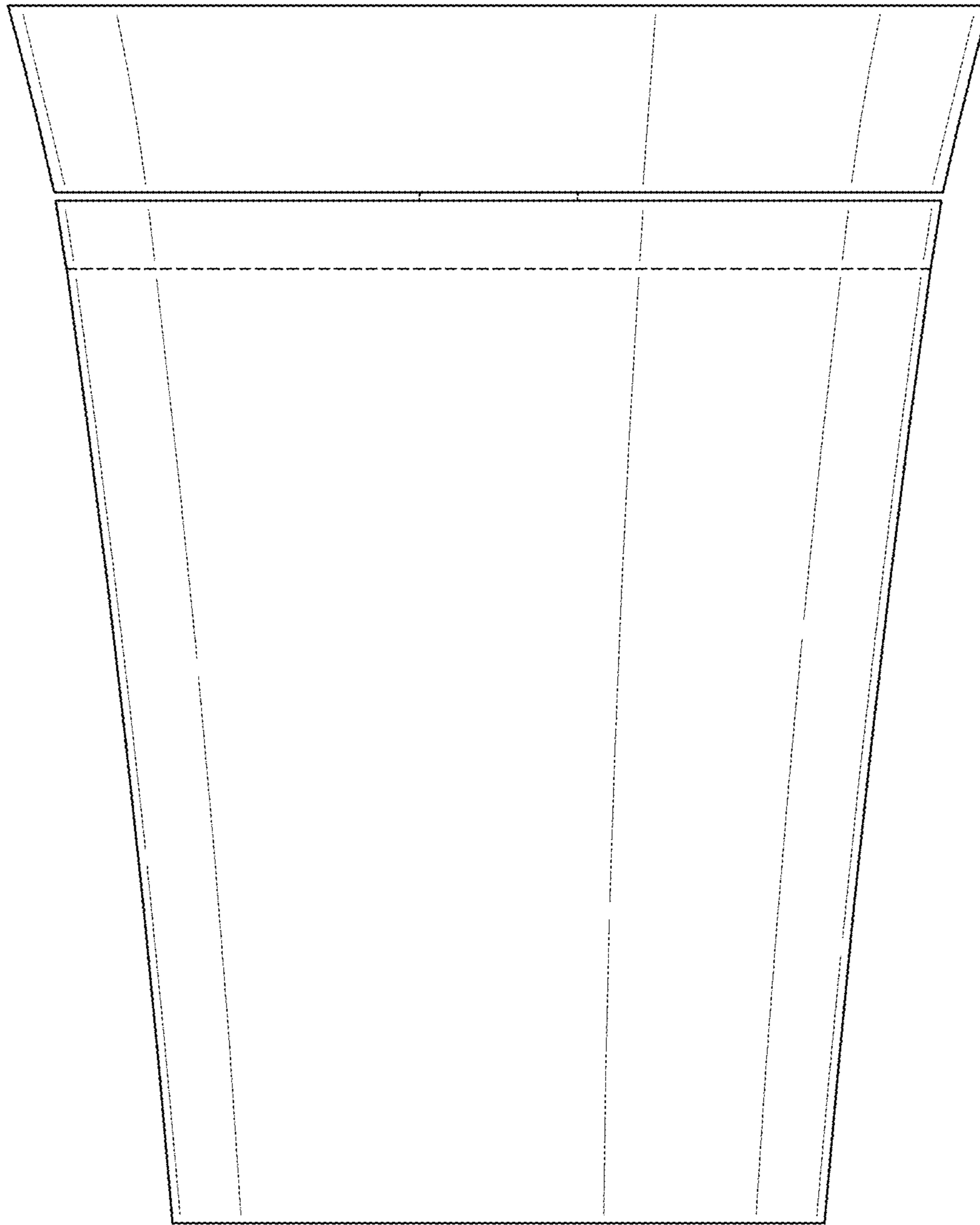


FIG. 2

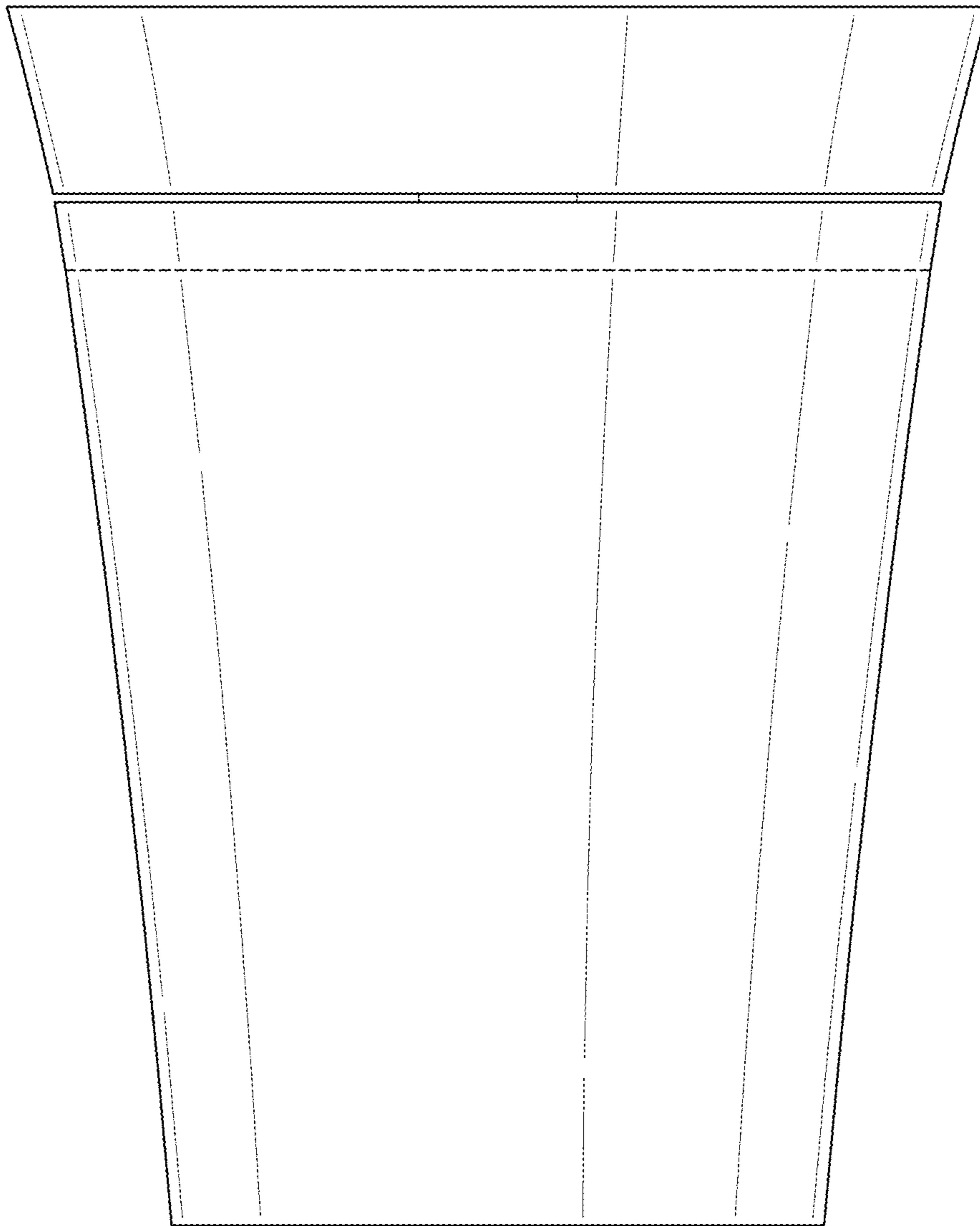


FIG. 3

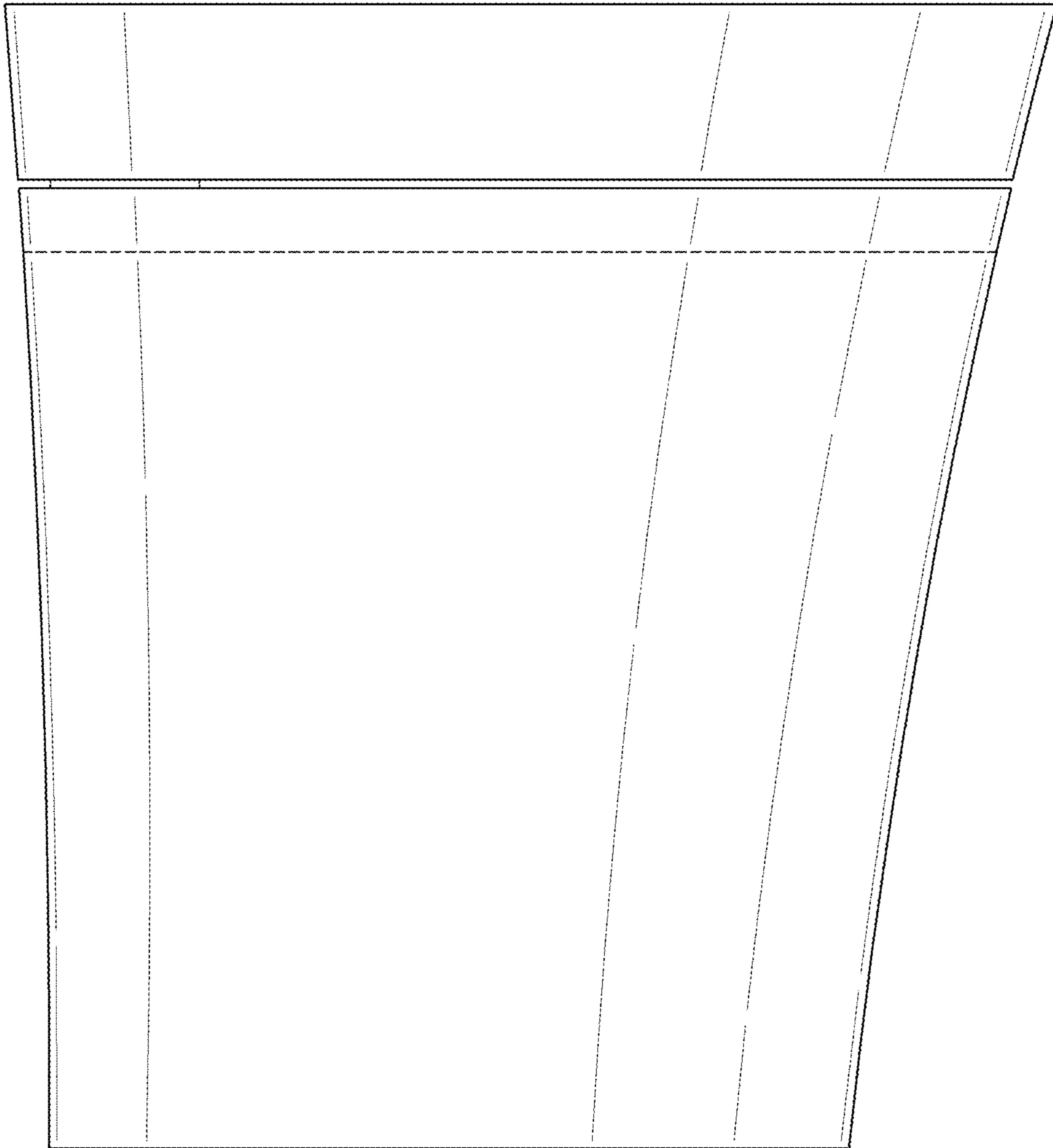


FIG. 4

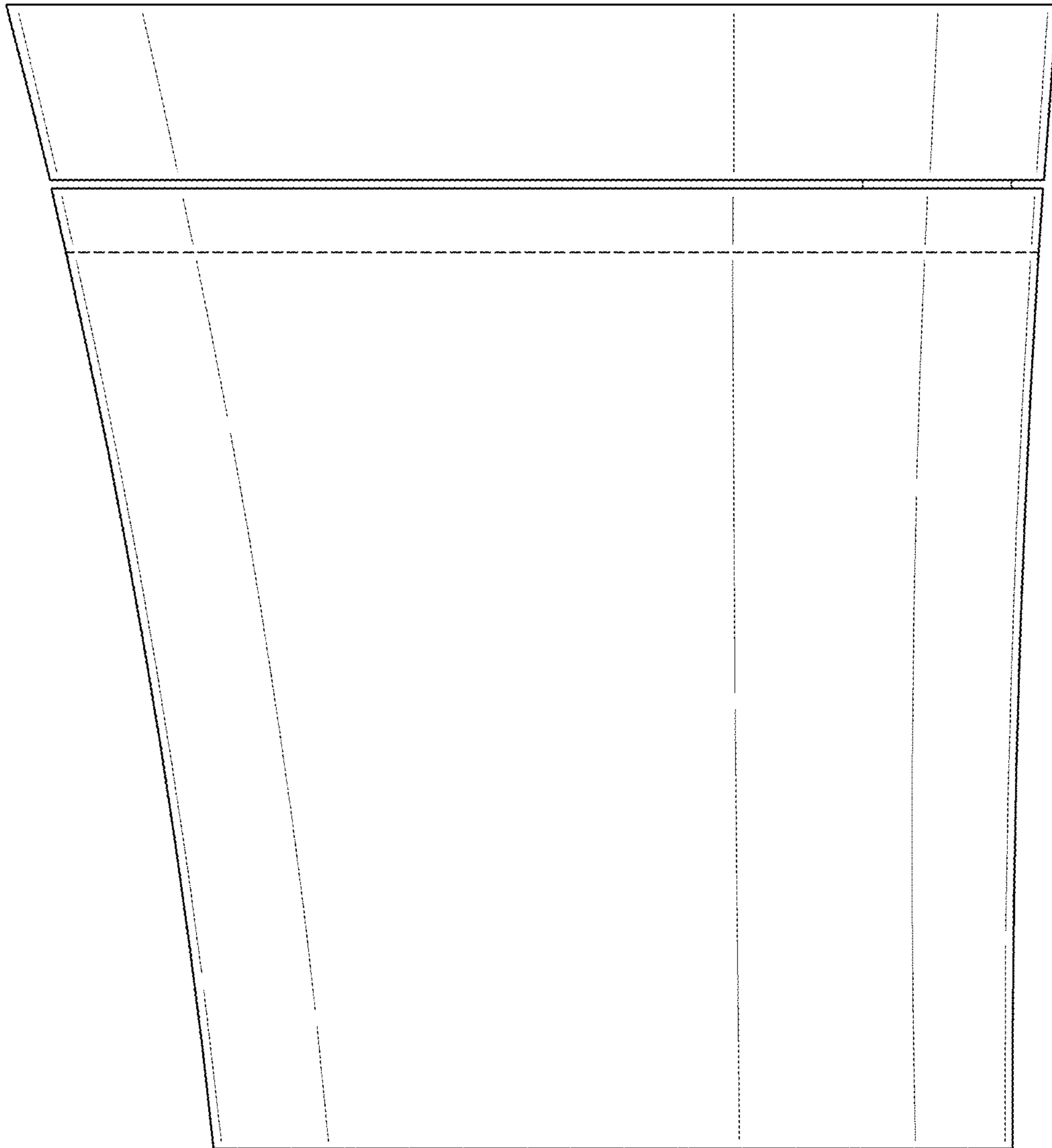


FIG. 5

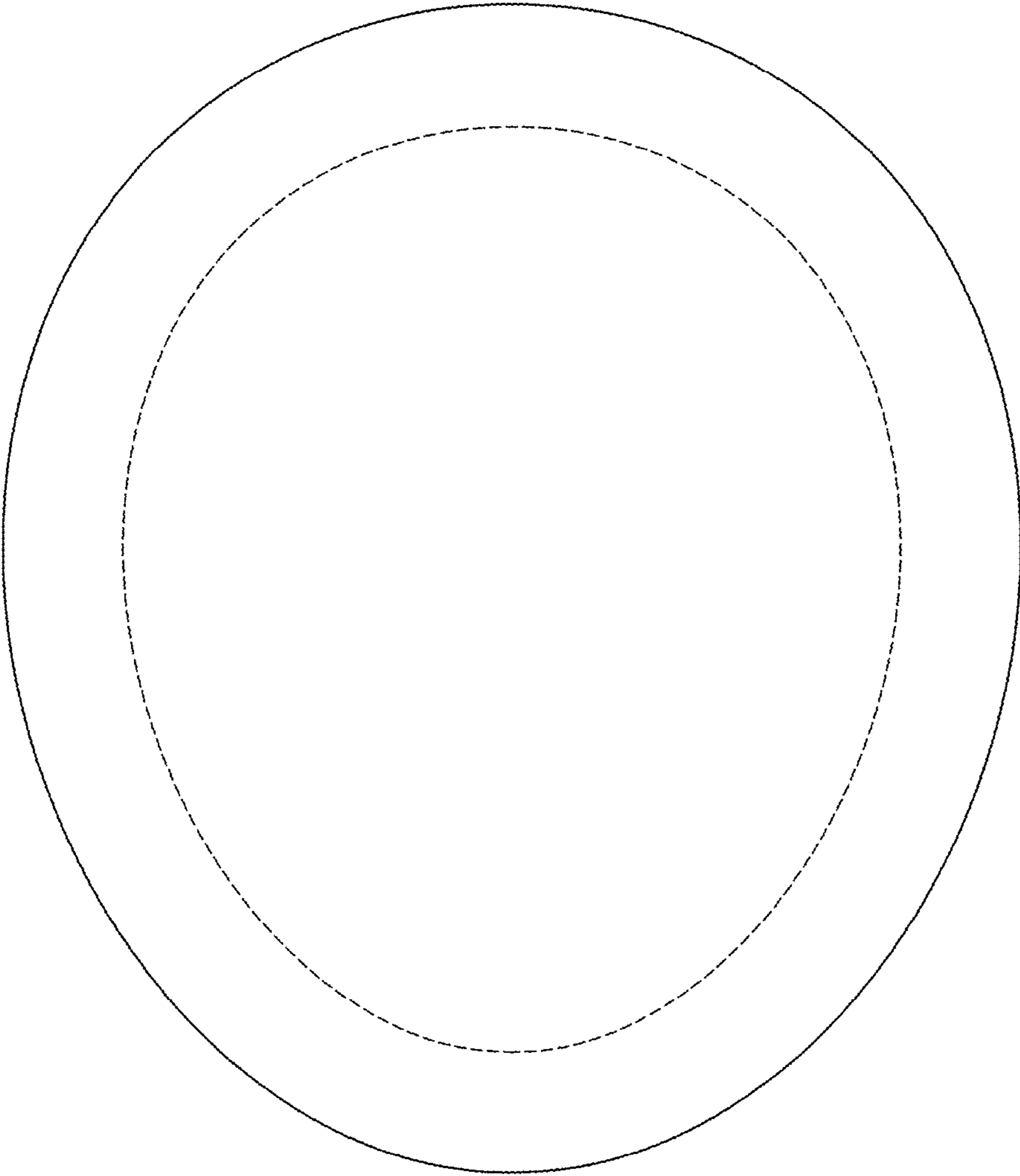


FIG. 6

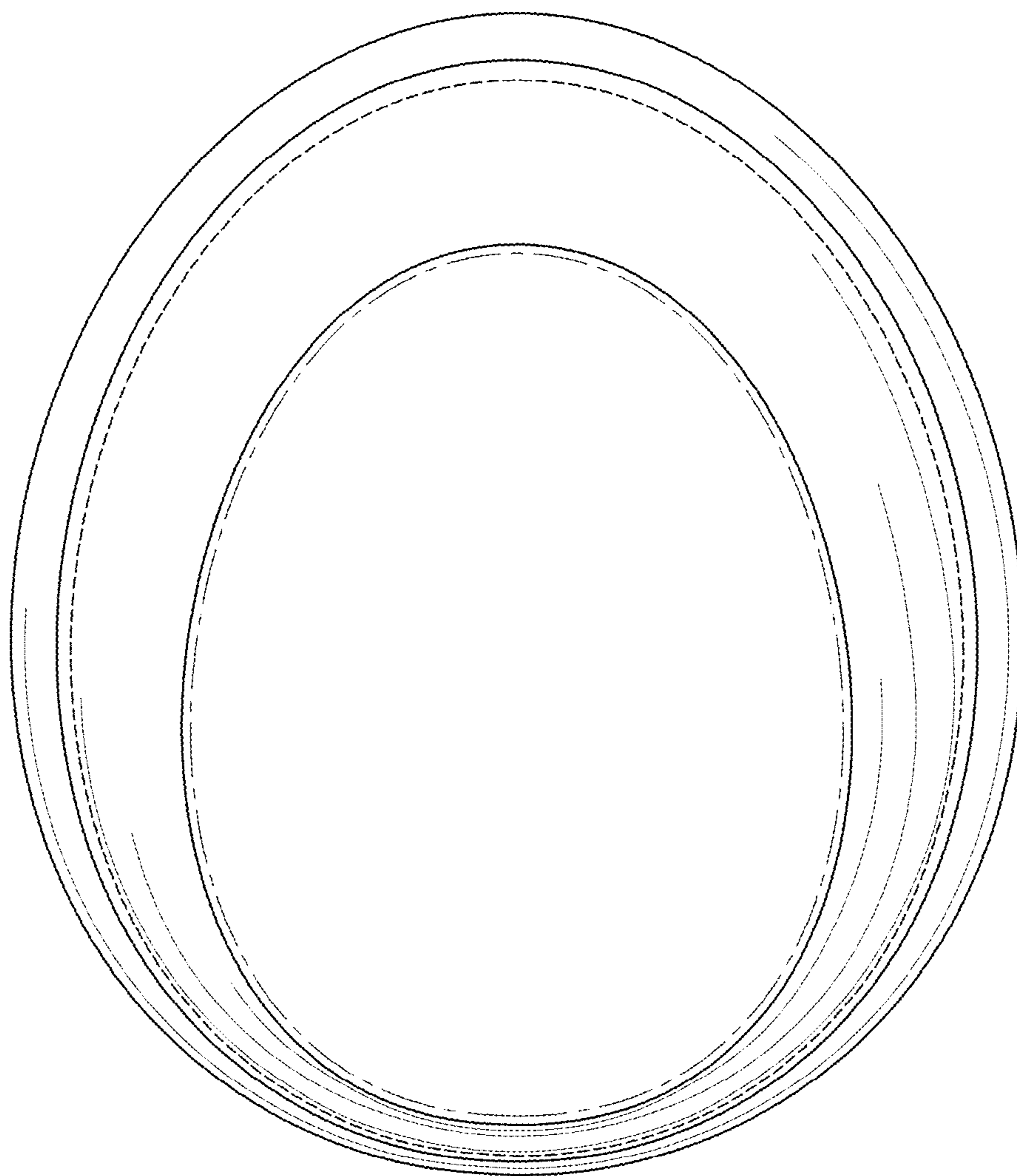


FIG. 7

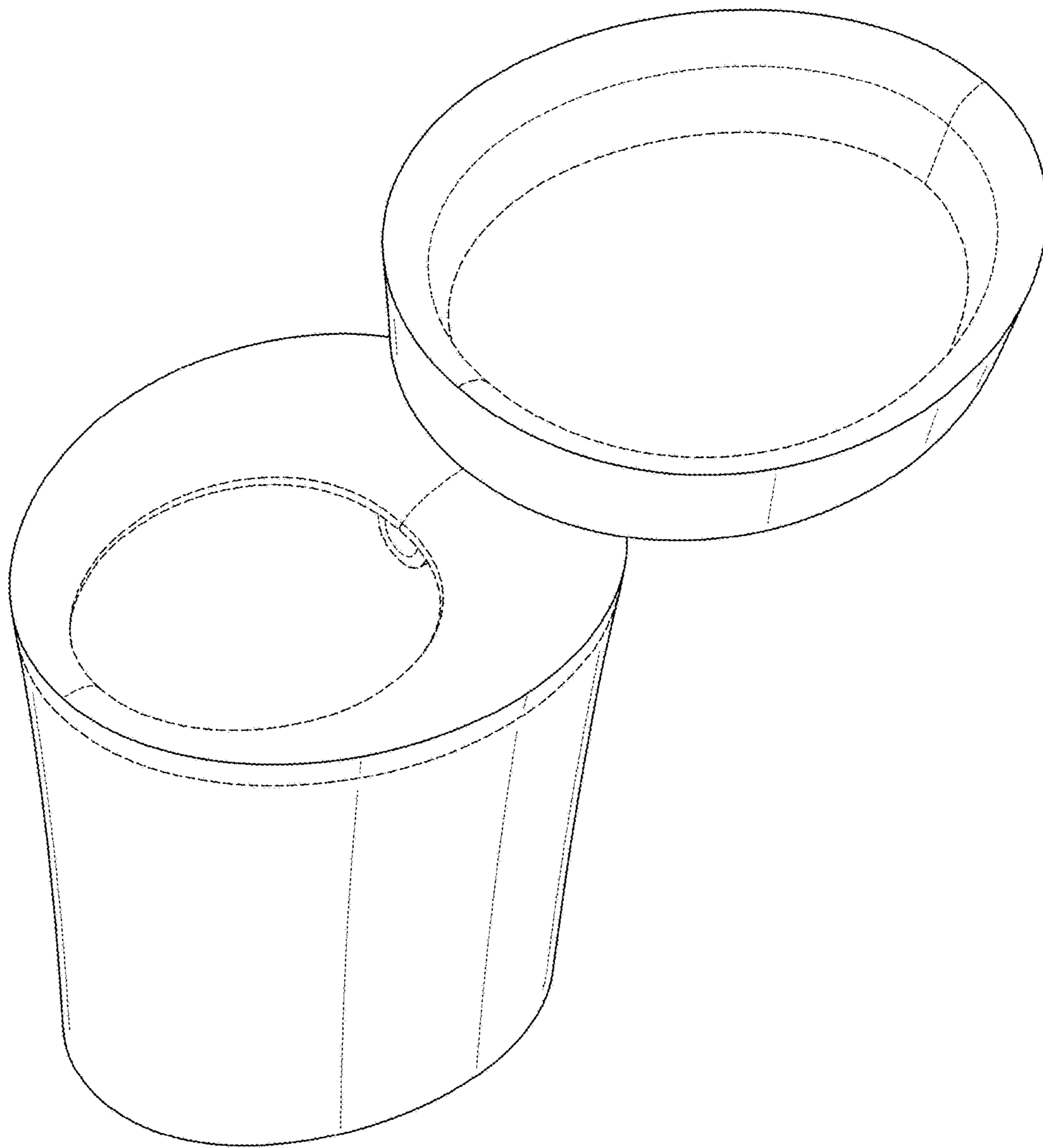


FIG. 8

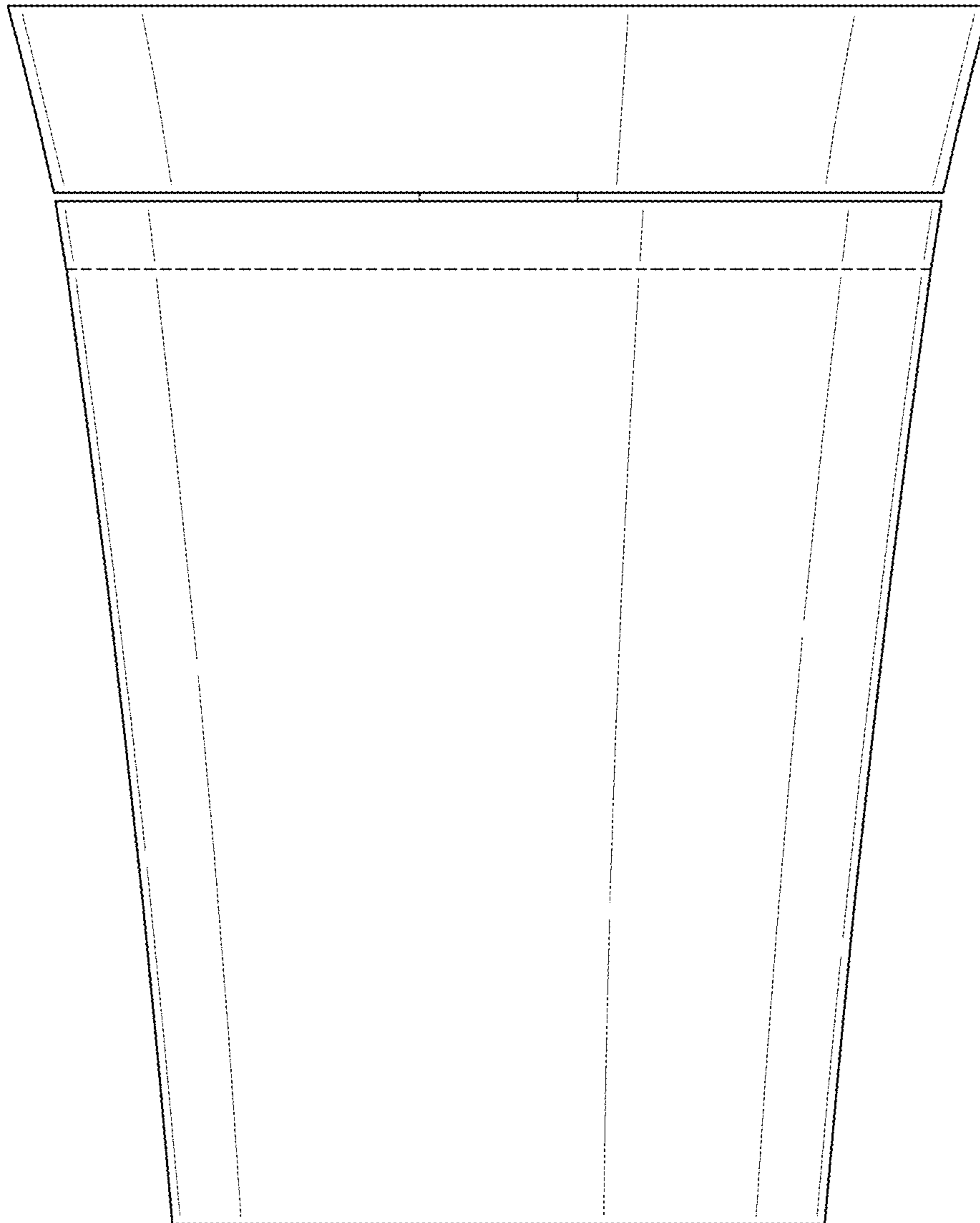


FIG. 9

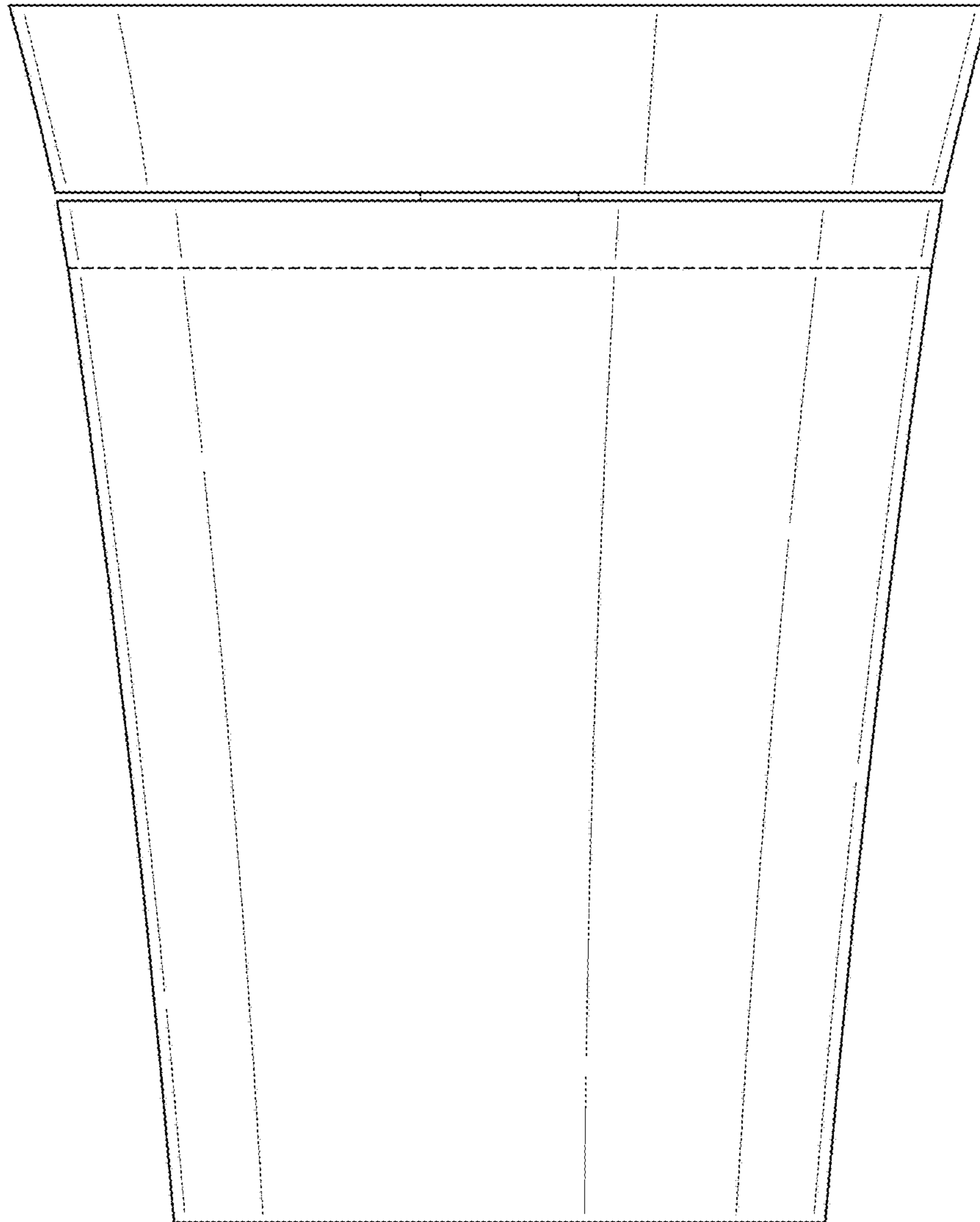


FIG. 10

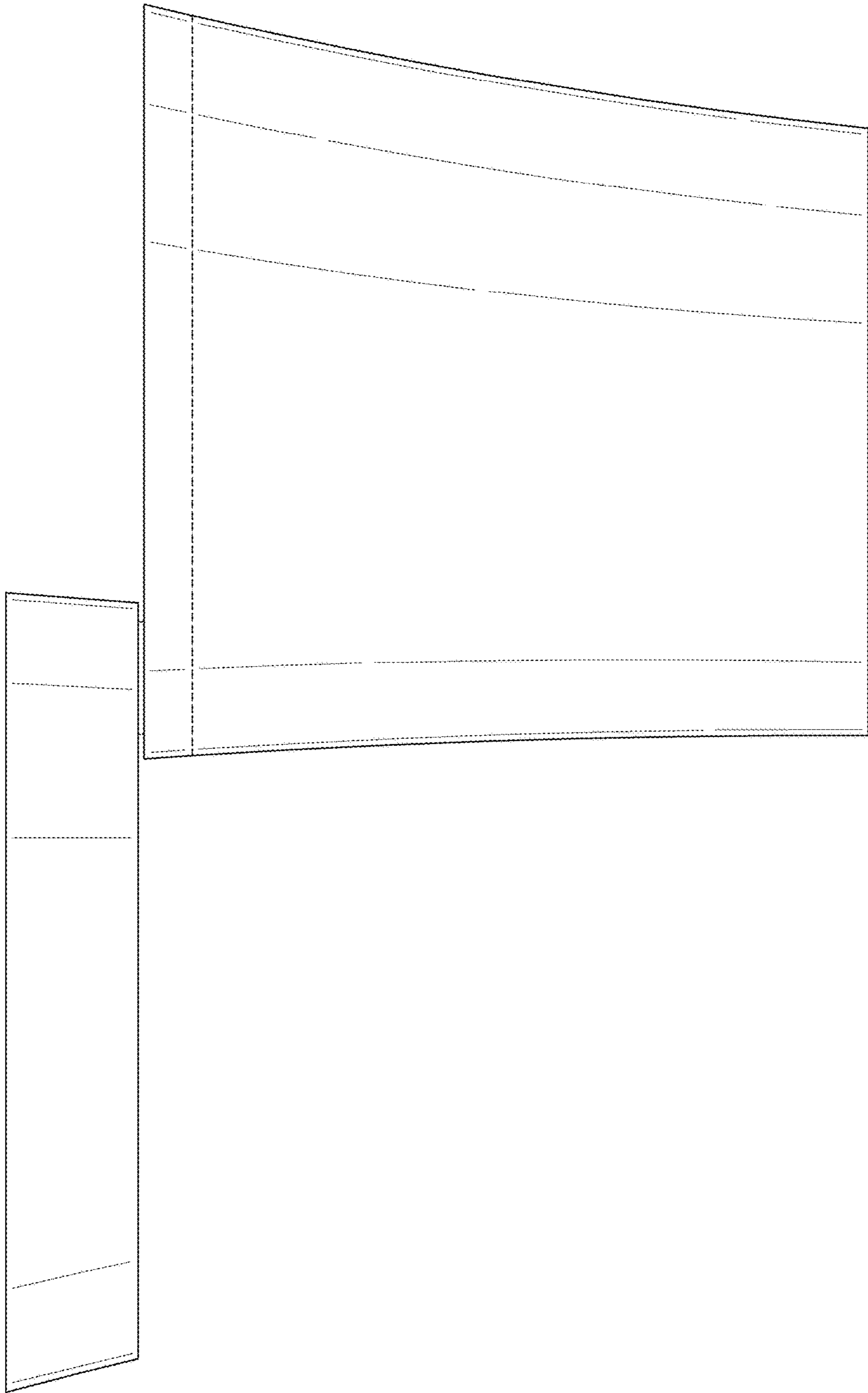


FIG. 11

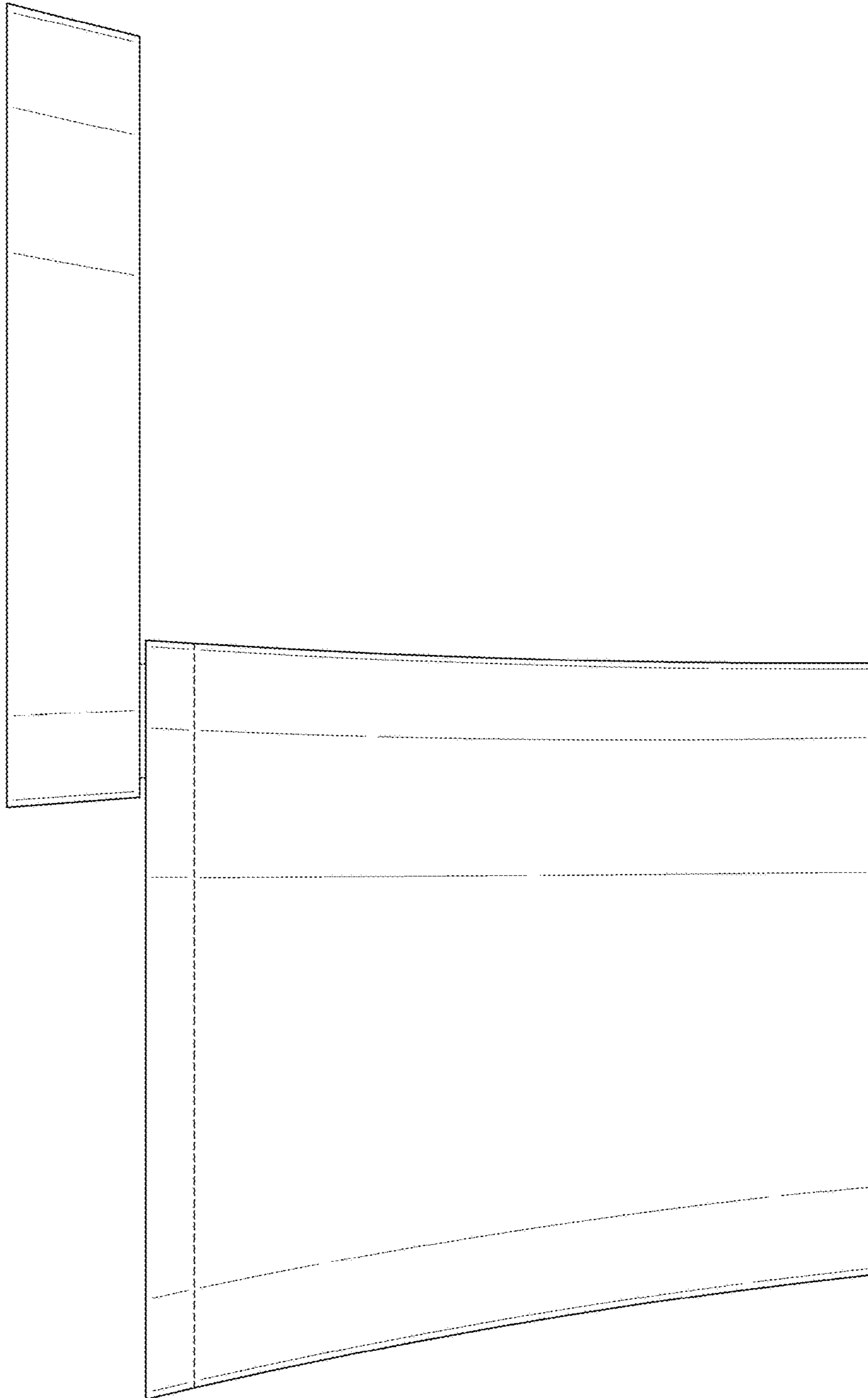


FIG. 12

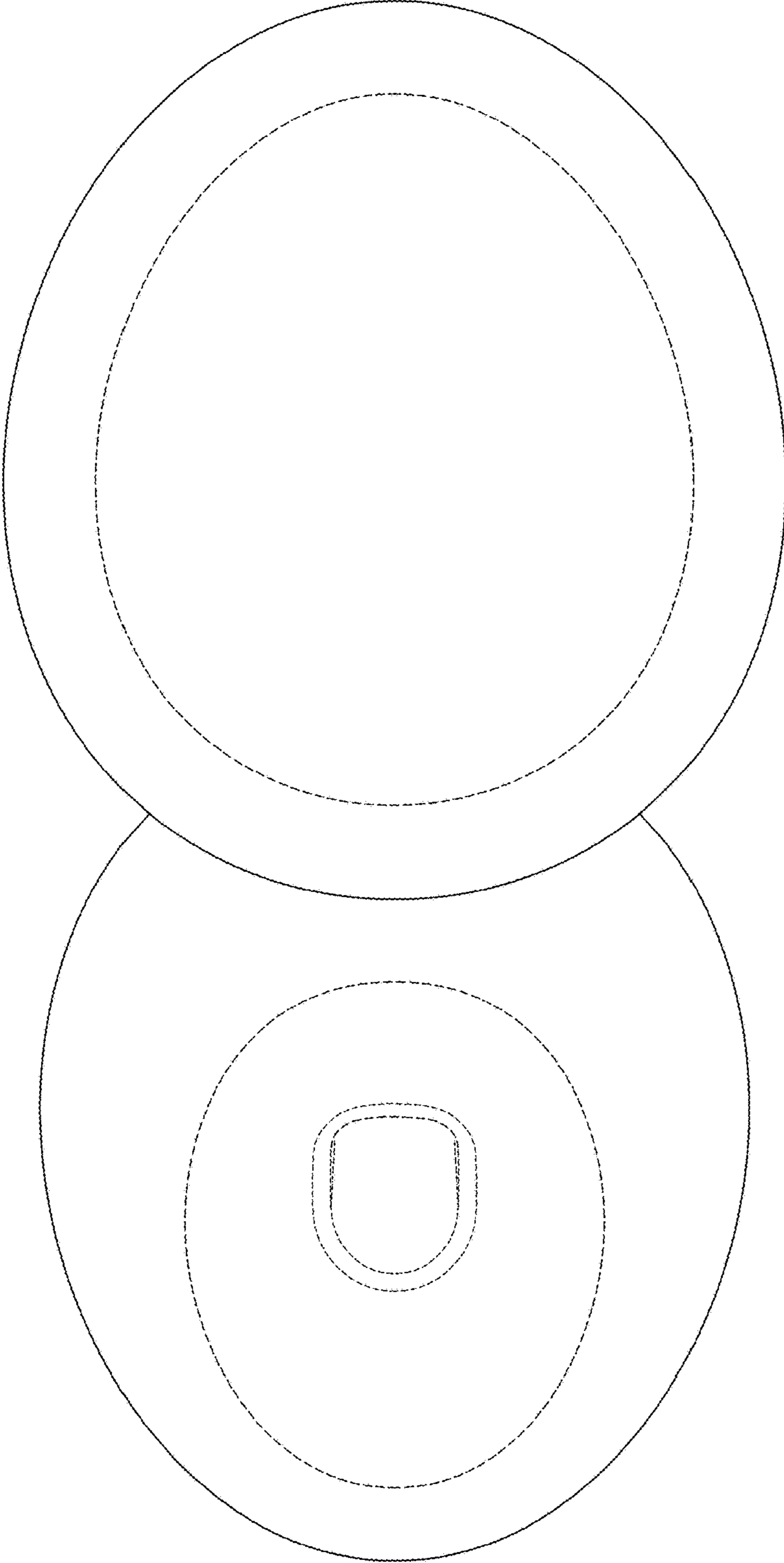


FIG. 13

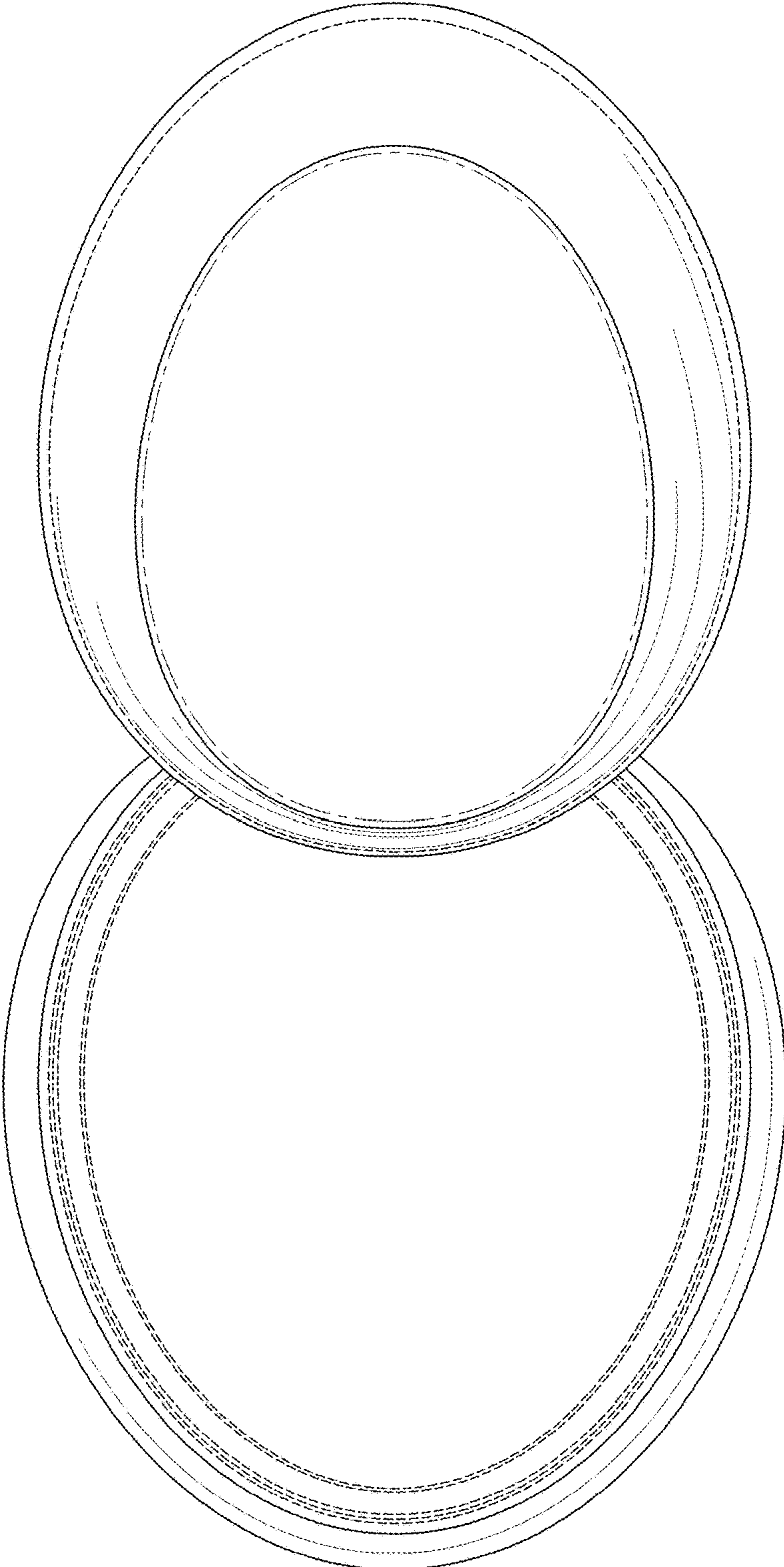


FIG. 14