



US00D847957S

(12) **United States Design Patent** (10) **Patent No.:** **US D847,957 S**  
**Bucher et al.** (45) **Date of Patent:** **\*\* May 7, 2019**

(54) **SINK**

FOREIGN PATENT DOCUMENTS

(71) Applicant: **AS IP Holdco, LLC**, Piscataway, NJ (US)

RU 2016501946 \* 5/2016

(72) Inventors: **Christophe Bucher**, Hillsborough, NJ (US); **Jacob Nitz**, Brooklyn, NY (US)

OTHER PUBLICATIONS

(73) Assignee: **AS IP Holdco, LLC**, Piscataway, NJ (US)

Architonic. (1990) "Efi base by Ceramica Flaminia," located at <<https://www.architonic.com/en/product/ceramica-flaminia-efi-base/1093793>> (2 pages).

(\*\*) Term: **15 Years**

Architonic. (2010) "Epoque Console by Devon&Devon," located at <<https://www.architonic.com/en/product/devon-devon-epoque-console/1104752>> (2 pages).

(21) Appl. No.: **29/637,916**

Bucher et al., U.S. Office Action dated Dec. 12, 2018, directed to U.S. Appl. No. 29/637,913; 8 pages.

(22) Filed: **Feb. 22, 2018**

Notification to Grant Patent Right dated Feb. 15, 2019, directed to CN Application No. 201830463661.7; 6 pages.

(51) **LOC (11) Cl.** ..... **23-02**

First Notification to Make Rectification dated Nov. 14, 2018, directed to CN Application No. 2018304636611; 2 pages.

(52) **U.S. Cl.**

USPC ..... **D23/293.1**

\* cited by examiner

(58) **Field of Classification Search**

USPC ... D23/270, 284, 286, 293.1, 303, 308, 285, D23/289, 499; D6/524, 641, 642

*Primary Examiner* — Sheryl Lane

CPC ... E03C 1/12; E03C 1/18; E03C 1/181; A47K 1/04; A47B 77/06; A47J 47/20

*Assistant Examiner* — Samantha N Wood

See application file for complete search history.

(74) *Attorney, Agent, or Firm* — Morrison & Foerster LLP

(56) **References Cited**

(57) **CLAIM**

U.S. PATENT DOCUMENTS

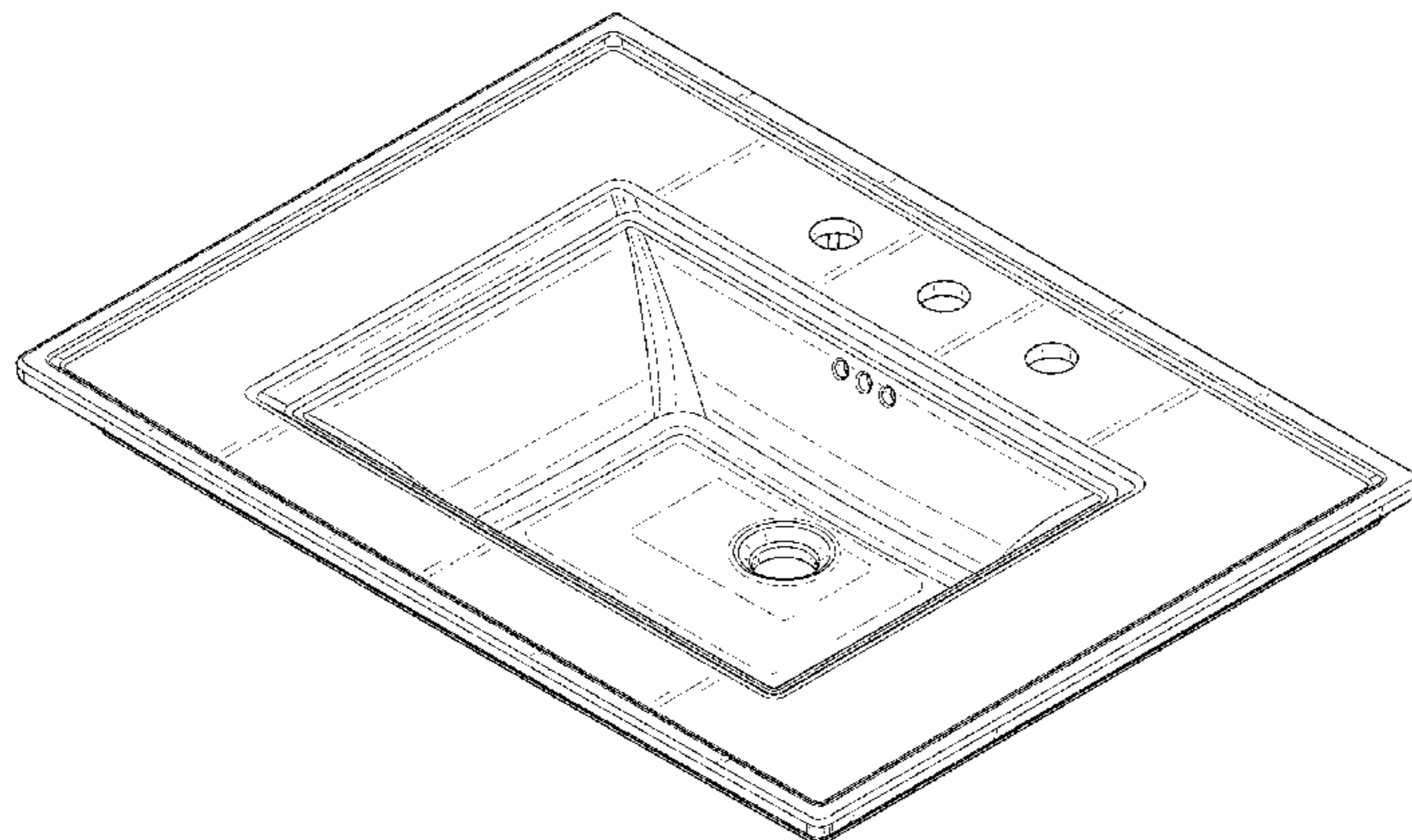
We claim the ornamental design for a sink, as shown and described.

D80,365 S	1/1930	French	
D424,179 S	*	5/2000	Chiu ..... D23/284
D425,971 S	*	5/2000	Chiu ..... D23/284
D439,076 S		3/2001	Mathieu et al.
D506,532 S	*	6/2005	Mayer ..... D23/292
D528,196 S	*	9/2006	Paredes ..... D23/308
D542,892 S	*	5/2007	Miyamoto ..... D23/292
D553,398 S		10/2007	LeTourneau
D563,117 S		3/2008	Mayer et al.
D630,717 S	*	1/2011	Thomas ..... D23/293.1
D634,826 S	*	3/2011	Booth ..... D23/290
D645,946 S	*	9/2011	Guzman Salazar ..... D23/284
D697,185 S	*	1/2014	Spangler ..... D23/292
D713,514 S	*	9/2014	Chen ..... D23/284
D744,620 S	*	12/2015	Adkison ..... D23/284

**DESCRIPTION**

FIG. 1 is a front perspective view of a sink showing our new design;  
FIG. 2 is a front view thereof;  
FIG. 3 is a rear view thereof;  
FIG. 4 is a side view thereof;  
FIG. 5 is a side view of the opposite side of FIG. 4;  
FIG. 6 is a top view thereof; and,  
FIG. 7 is a bottom view thereof.

**1 Claim, 7 Drawing Sheets**



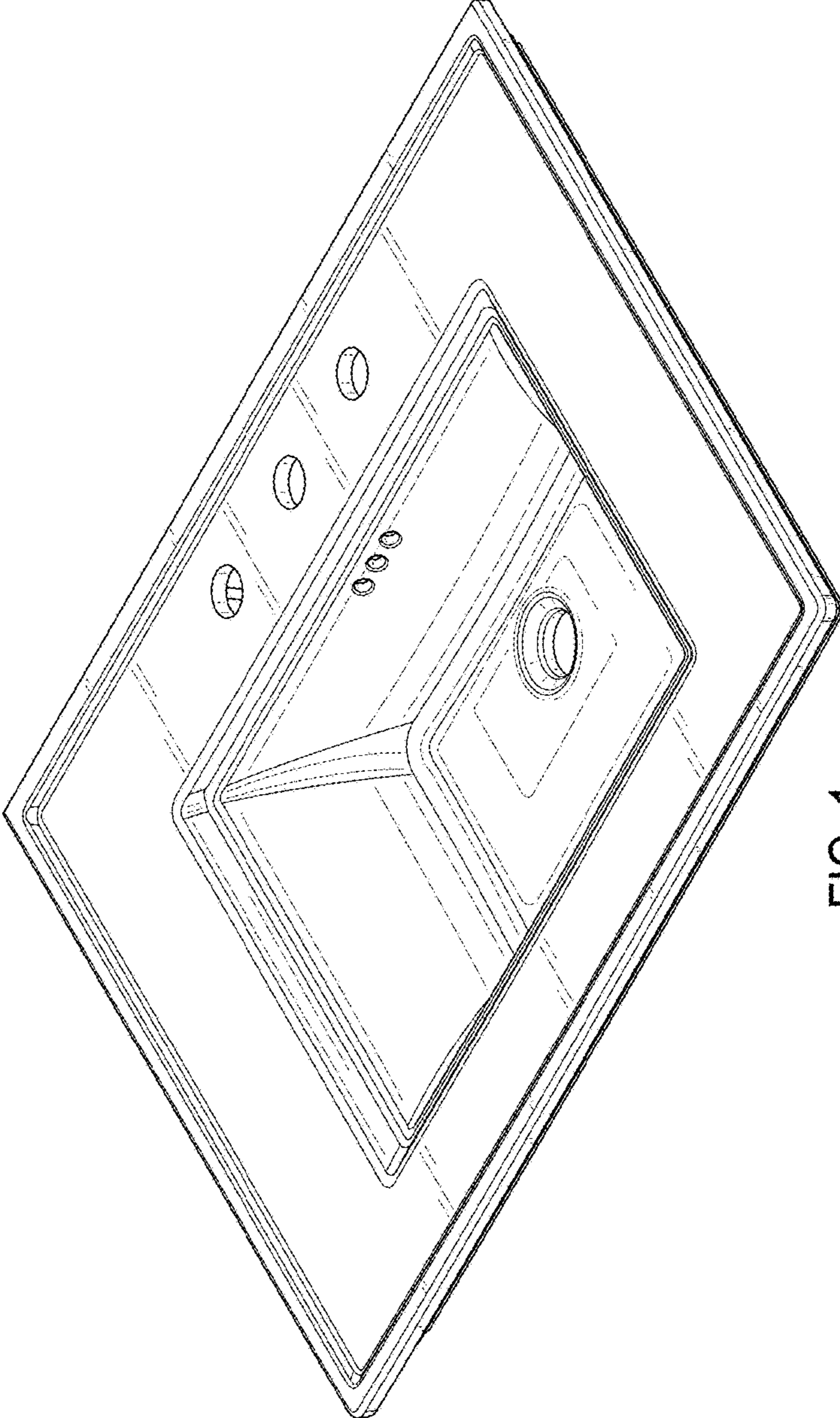


FIG. 1

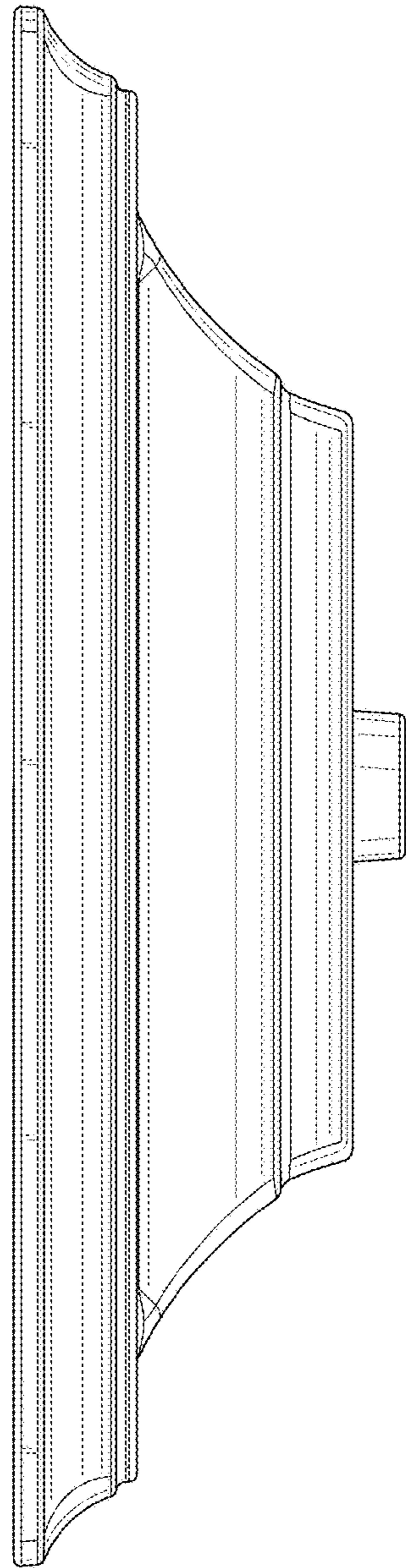


FIG. 2

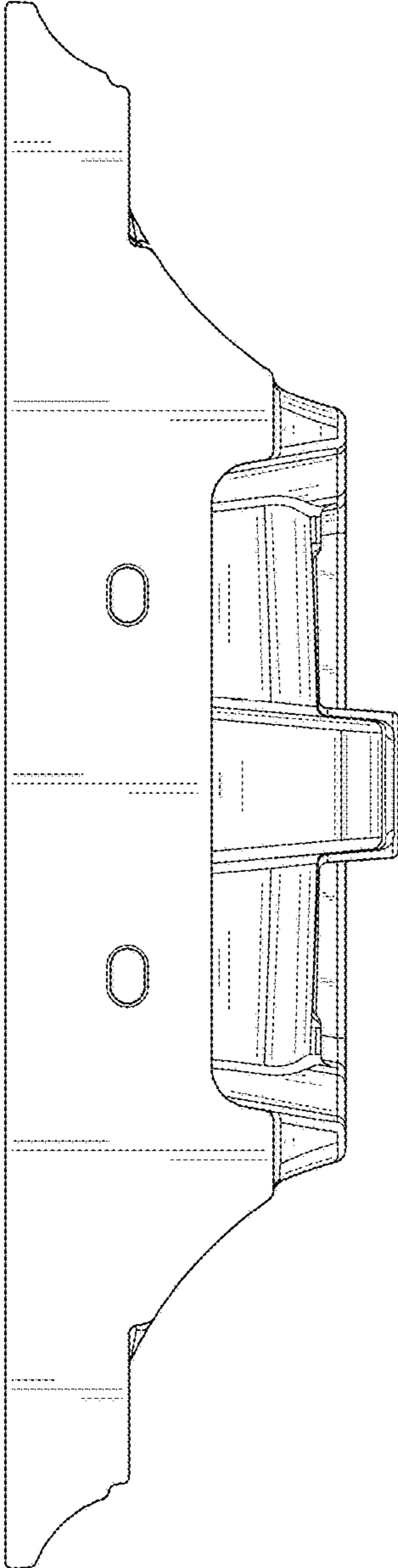


FIG. 3



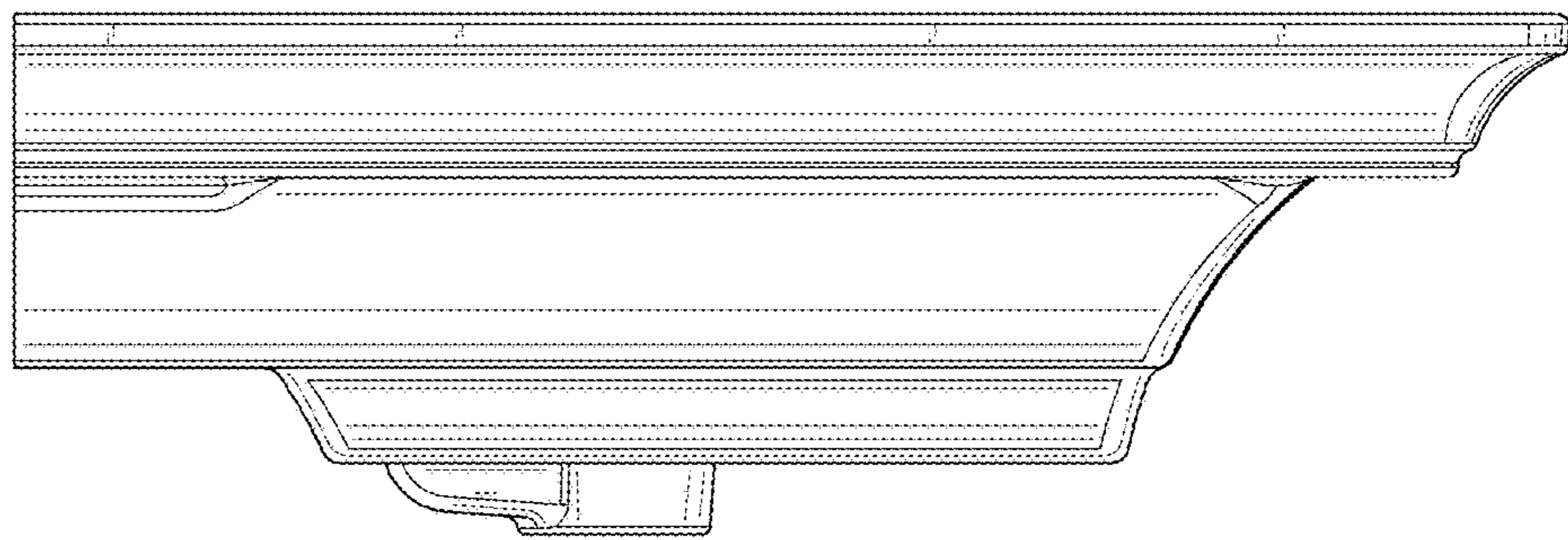


FIG. 4

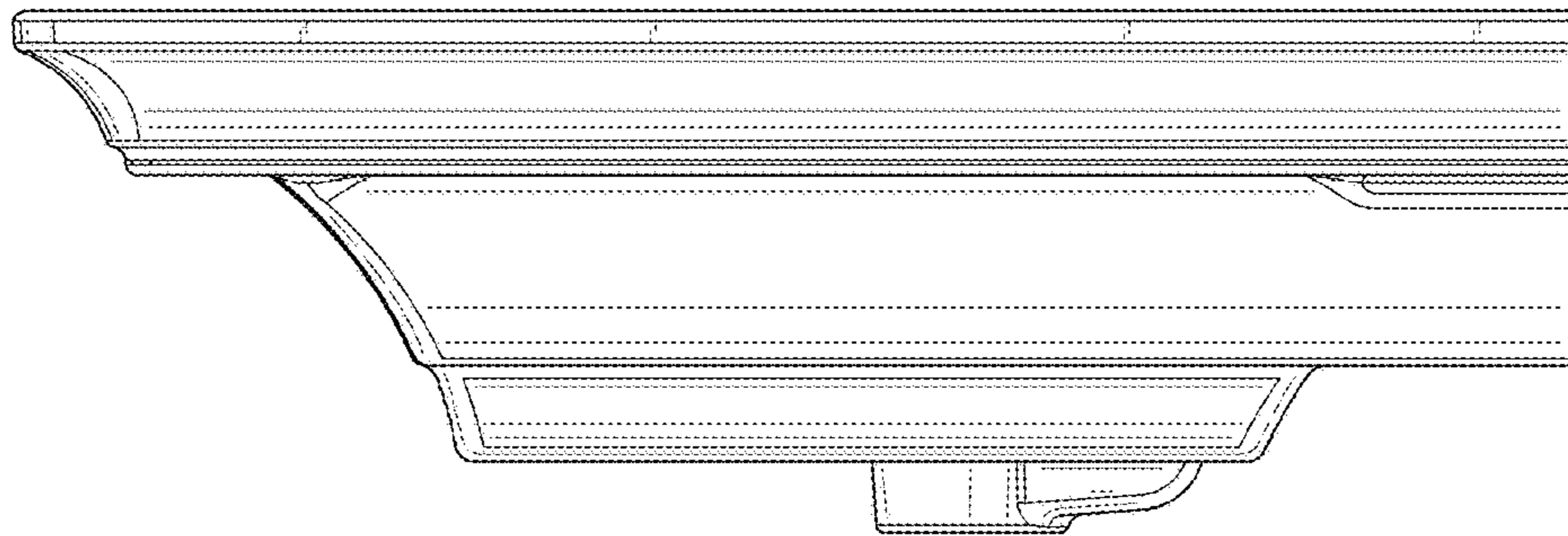


FIG. 5

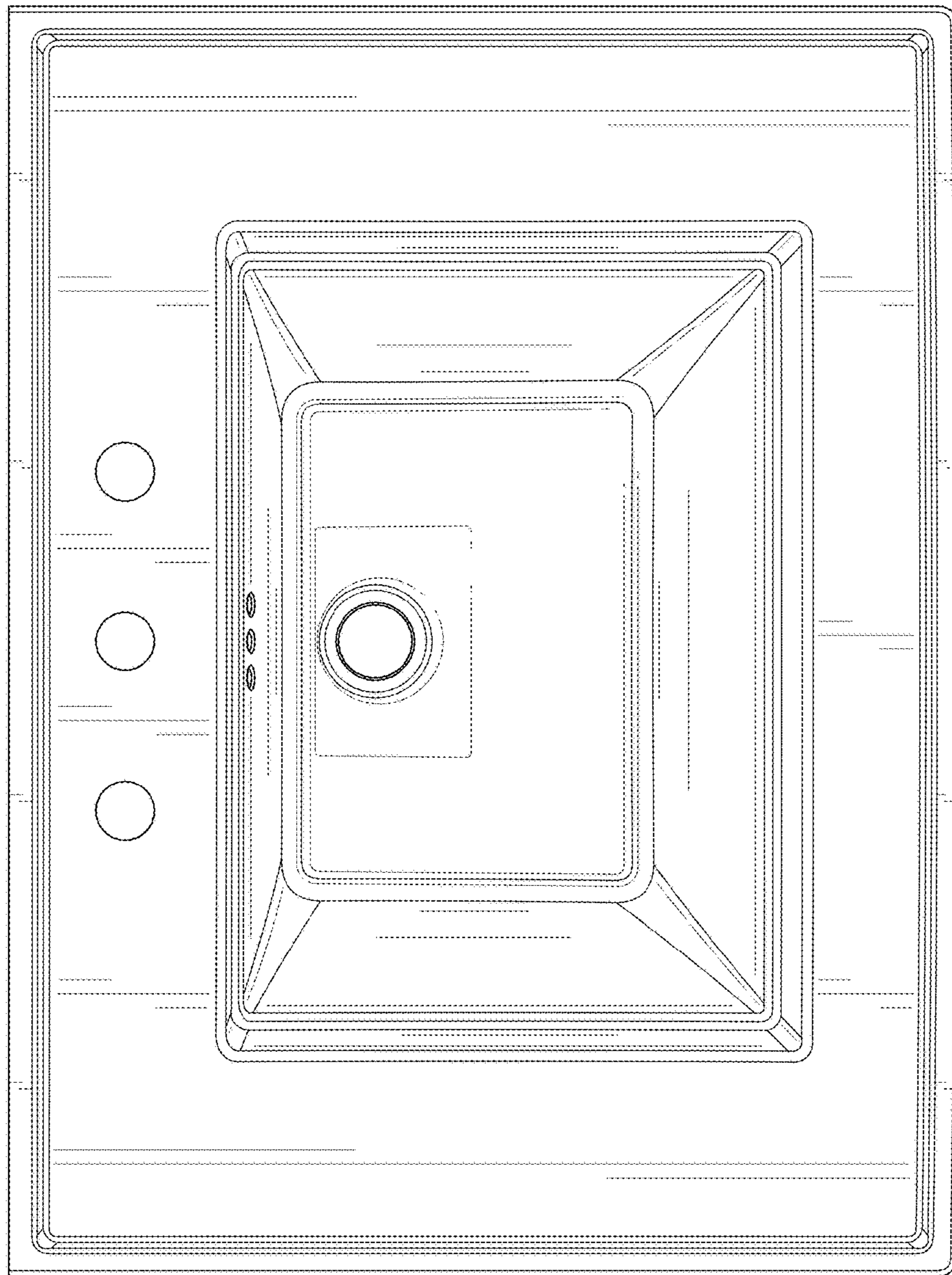


FIG. 6

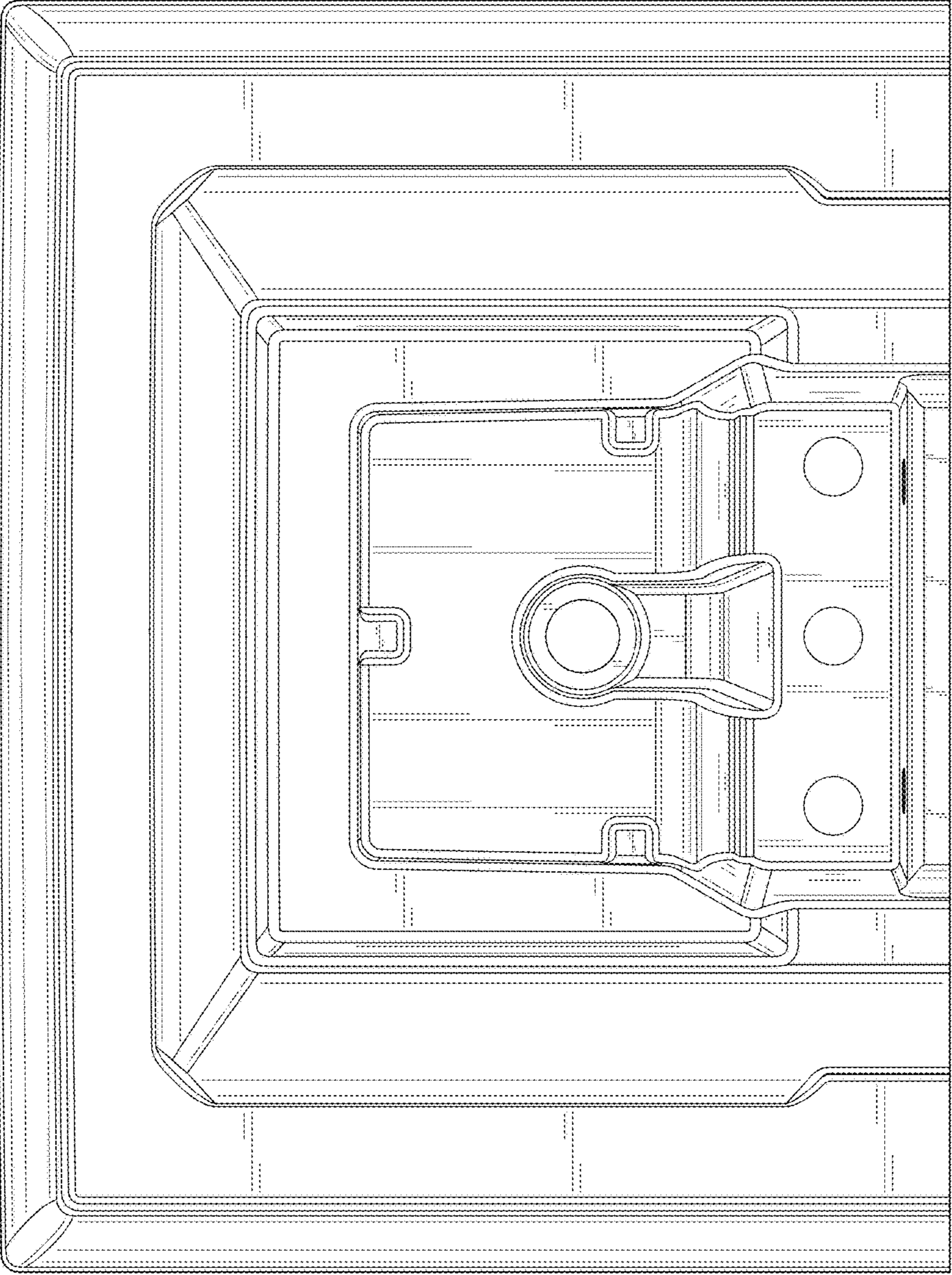


FIG. 7