

US00D847956S

(12) **United States Design Patent** (10) **Patent No.:** **US D847,956 S**
Kwak et al. (45) **Date of Patent:** **** May 7, 2019**

(54) **BATHTUB**

FOREIGN PATENT DOCUMENTS

(71) Applicant: **Skip Hop, Inc.**, New York, NY (US)

AU 644771 12/1993
CH 561534 5/1975

(72) Inventors: **Albert Kwak**, Long Island City, NY (US); **Chelsea Carter**, Jersey City, NJ (US); **Benjamin Bearsch**, Brooklyn, NY (US); **Ellen Diamant**, New York, NY (US)

(Continued)

(73) Assignee: **SKIP HOP, Inc.**, New York, NY (US)

(**) Term: **15 Years**

(21) Appl. No.: **29/595,526**

(22) Filed: **Feb. 28, 2017**

(51) **LOC (11) Cl.** **23-02**

(52) **U.S. Cl.**
USPC **D23/278**

(58) **Field of Classification Search**
USPC ... D23/277-279, 280.1, 280.2, 280.3, 280.4,
D23/304-310; D6/525, 333
CPC A47K 3/006; A47K 3/02; A47K 3/022;
E05C 9/16
See application file for complete search history.

OTHER PUBLICATIONS

Skip Hop Moby Smart Sling 3-Stage Tub found online [Mar. 7, 2018]—http://www.skiphop.com/skiphop-bathtim/V_235060.html?dwvar_V_235060_size=NS&cgid=skiphop-bathtime&dwvar_V_235060_color=Grey#navID=header&start=1&cgid=skiphop-bathtime.*

(Continued)

Primary Examiner — Lakiya G Rogers

Assistant Examiner — John A Voytek

(74) *Attorney, Agent, or Firm* — Stephen J. Weyer, Esq.;
Stites & Harbison, PLLC

(57) **CLAIM**

The ornamental design for a bathtub, as shown and described.

DESCRIPTION

FIG. 1 is a perspective view of the bathtub, with a sling in the first position; in accordance with our new design.

FIG. 2 is a left side elevational view thereof.

FIG. 3 is a right side elevational view thereof.

FIG. 4 is a bottom plan view thereof.

FIG. 5 is a top plan view thereof.

FIG. 6 is a front elevational view thereof.

FIG. 7 is a rear elevational view thereof.

FIG. 8 is a perspective view of the bathtub, with the sling in an alternate position; in accordance with our new design; and,

FIG. 9 is a perspective view of the bathtub with the sling removed for clarity of disclosure.

In the drawings, the broken lines depict elements of the bathtub that form no part of the claim.

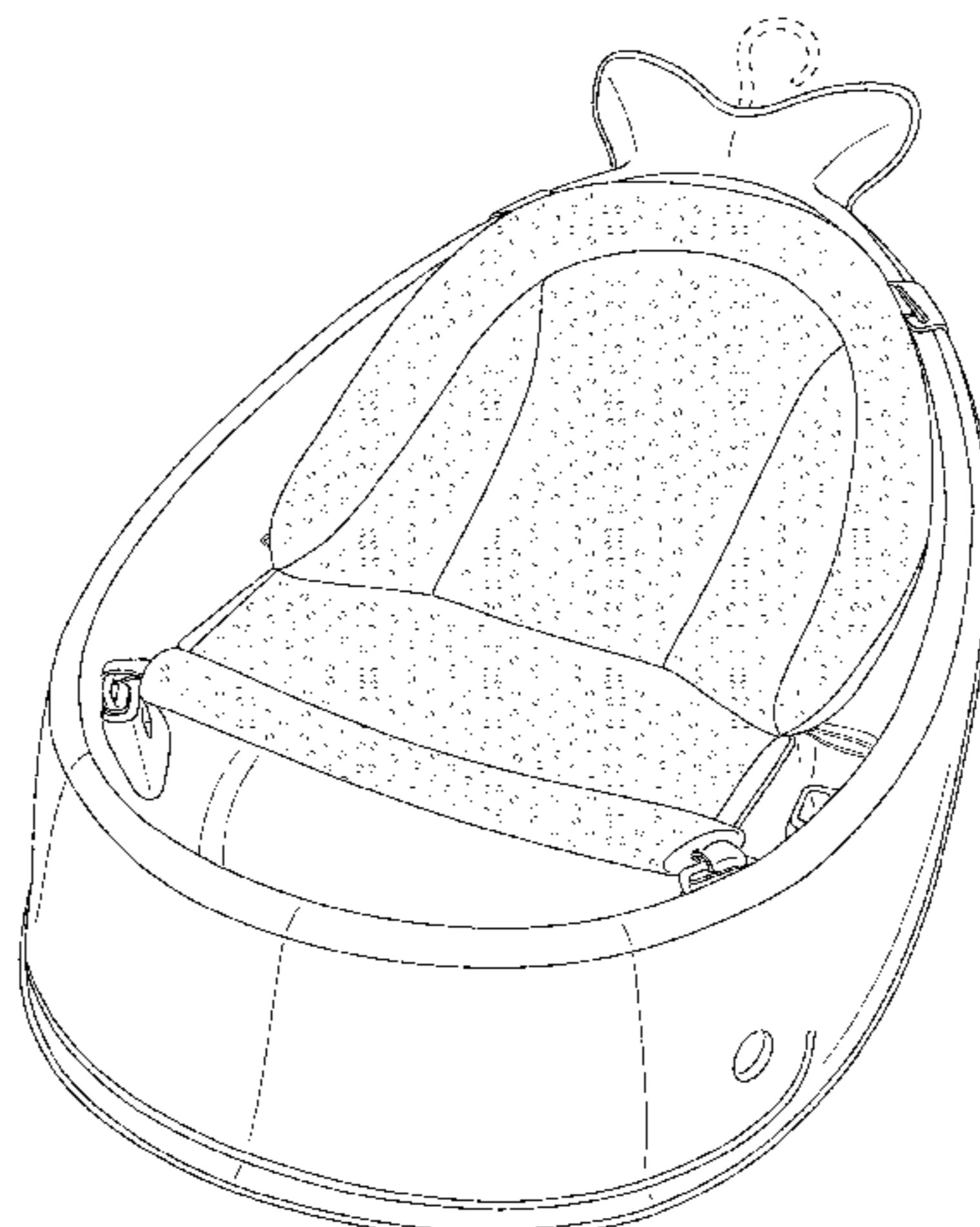
(56) **References Cited**

U.S. PATENT DOCUMENTS

1,450,827 A 4/1923 Wood
1,734,462 A 11/1929 Gottlieb
2,607,925 A 8/1952 De Puy
2,724,839 A 11/1955 Kennedy
2,836,833 A 6/1958 Carlson
D251,303 S 3/1979 Boissonneault
4,881,281 A 11/1989 Lavoine et al.
5,181,284 A 1/1993 Raphael et al.
5,276,926 A 1/1994 Lopez
5,297,300 A 3/1994 Sheu
D350,598 S 9/1994 Wise et al.
5,361,430 A 11/1994 Wise
5,406,655 A 4/1995 Sahlin
5,491,850 A 2/1996 Kiesser

(Continued)

1 Claim, 9 Drawing Sheets



(56)

References Cited

U.S. PATENT DOCUMENTS

5,588,159 A 12/1996 Poulson et al.
 D422,345 S 4/2000 Dixon
 6,112,343 A 9/2000 Dixon
 6,243,890 B1 6/2001 Yang
 D469,860 S * 2/2003 Riemer D23/278
 7,430,769 B2 10/2008 Davis
 D619,225 S * 7/2010 Tu D23/278
 D632,109 S 2/2011 Baron
 D653,312 S * 1/2012 Liang D23/278
 D656,226 S * 3/2012 Erli D23/278
 D656,227 S * 3/2012 Erli D23/278
 8,302,218 B2 11/2012 Dignitti et al.
 D724,707 S * 3/2015 Murphy D23/278
 D725,244 S * 3/2015 Baldelli D23/278
 D740,923 S * 10/2015 Tu D23/278
 D753,276 S * 4/2016 Rajamae-Parik D23/278
 D757,913 S * 5/2016 Shany D23/278
 D782,632 S * 3/2017 Baldelli D23/278
 D787,030 S * 5/2017 Shany D23/278
 2008/0295239 A1 12/2008 Ristuccia et al.
 2014/0259360 A1 9/2014 Yu et al.

FOREIGN PATENT DOCUMENTS

CN 201782669 4/2011
 CN 203676938 7/2014
 CN 204427882 7/2015

CN 105310576 2/2016
 EP 0253065 1/1988
 EP 2133015 12/2009
 GB 21278 8/1894
 GB 190402059 3/1904
 JP S50 57739 5/1975
 JP S52 4053 1/1977
 JP S-55130627 10/1980
 KR 20050016784 2/2005
 KR 20140102906 5/2014
 KR 20140005253 10/2014
 SE 5289 3/1894
 WO WO-03103467 12/2003
 WO WO-2011023098 3/2011

OTHER PUBLICATIONS

Fisher-Price Precious Planet Whale of a Tub found online [Mar. 7, 2018]—https://www.amazon.com/gp/product/B0018Z8CN8/ref=s9_acsd_zwish_hd_bw_bBHbud_c_x_w?pf_rd_m=ATVDPKIKX0DER&pf_rd_s=merchandised-search-11&pf_rd_r=6GGE6MT1A0JQ5JZRJWR3&pf_rd_t=101&pf_rd_p=3d4e9523-8e25-5f26-a54e-9234bdc75ce3&pf_rd_i=166737011.
 Skip Hop Moby Smart Sling 3 Stage Bath Tub found online [Nov. 15, 2018]—<https://www.youtube.com/watch?v=WUESDaDhdKo&feature=youtu.be>.
 Extended European Search Report dated Jun. 22, 2018 in corresponding European Patent Application No. 18158979.7.

* cited by examiner

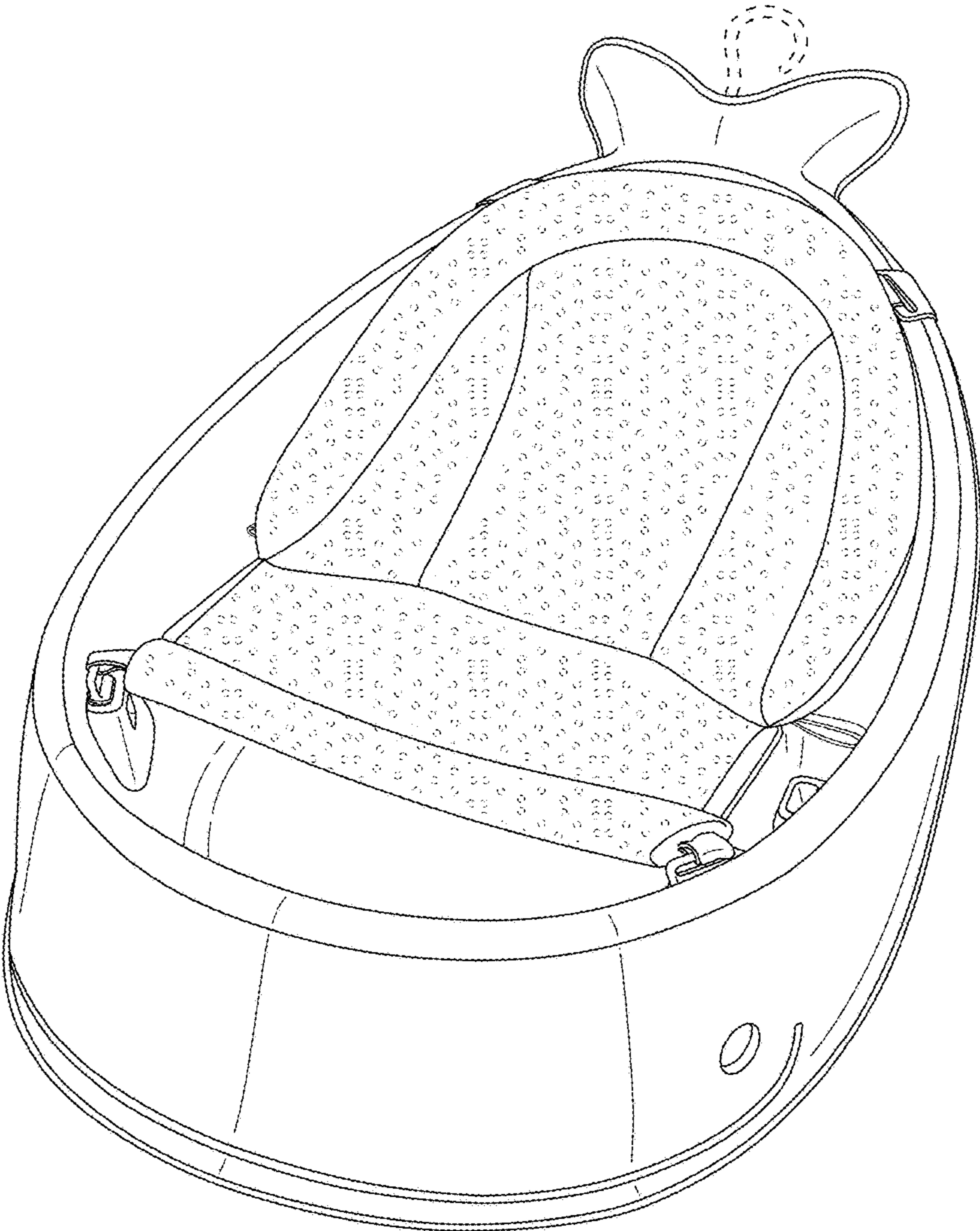


FIG. 1

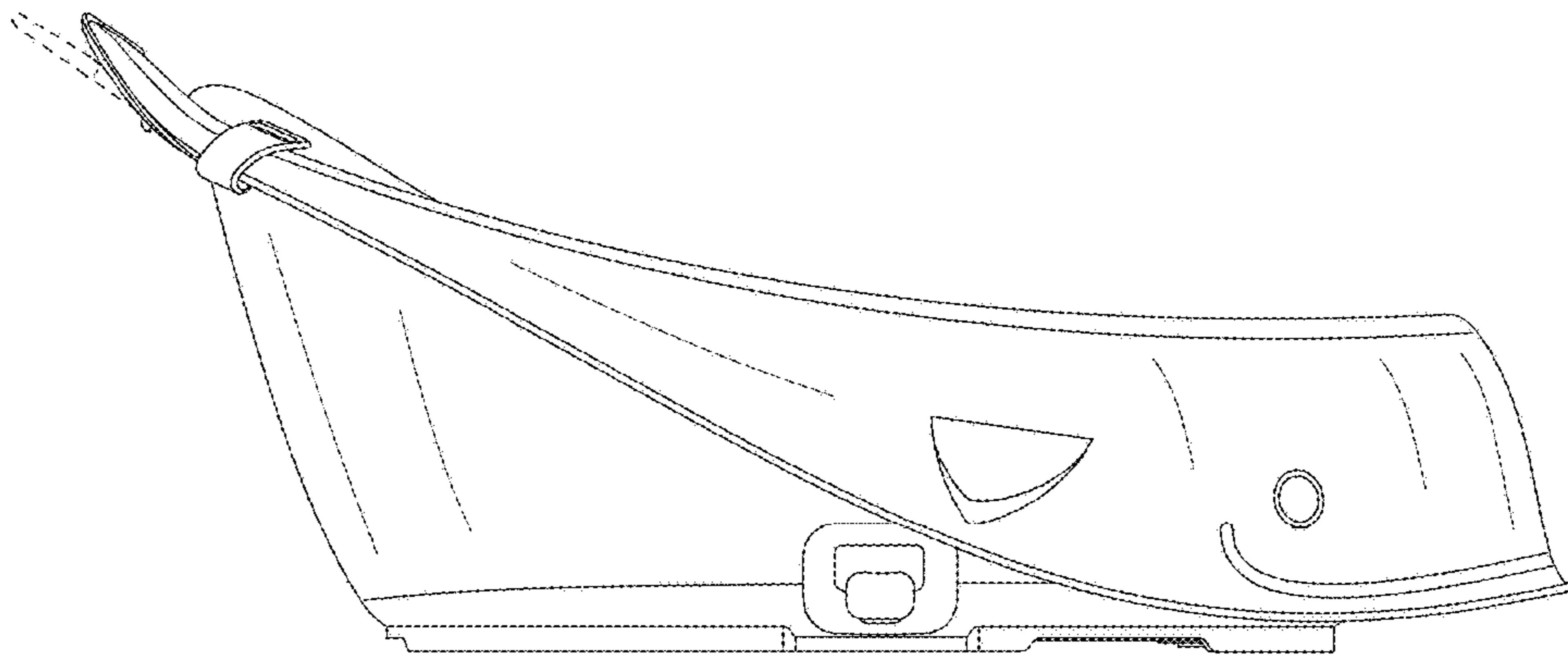


FIG. 2

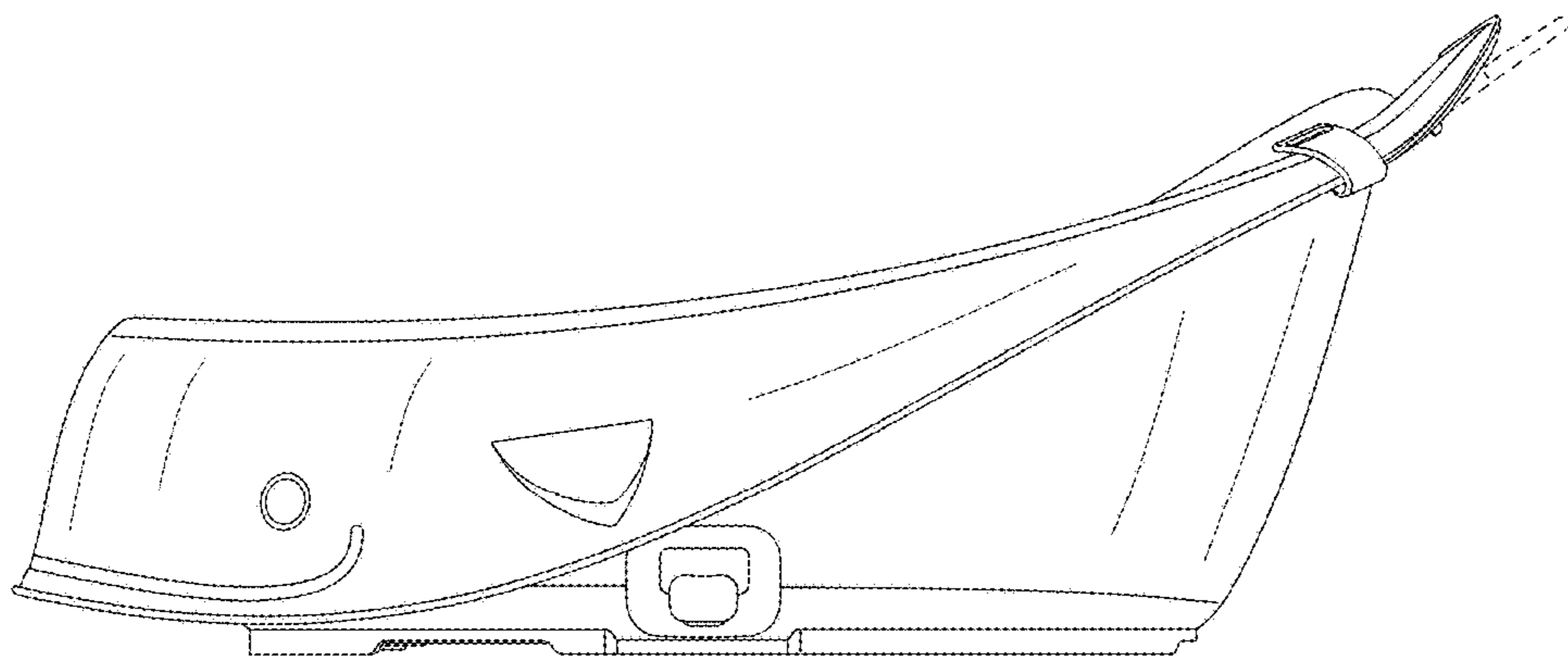


FIG. 3

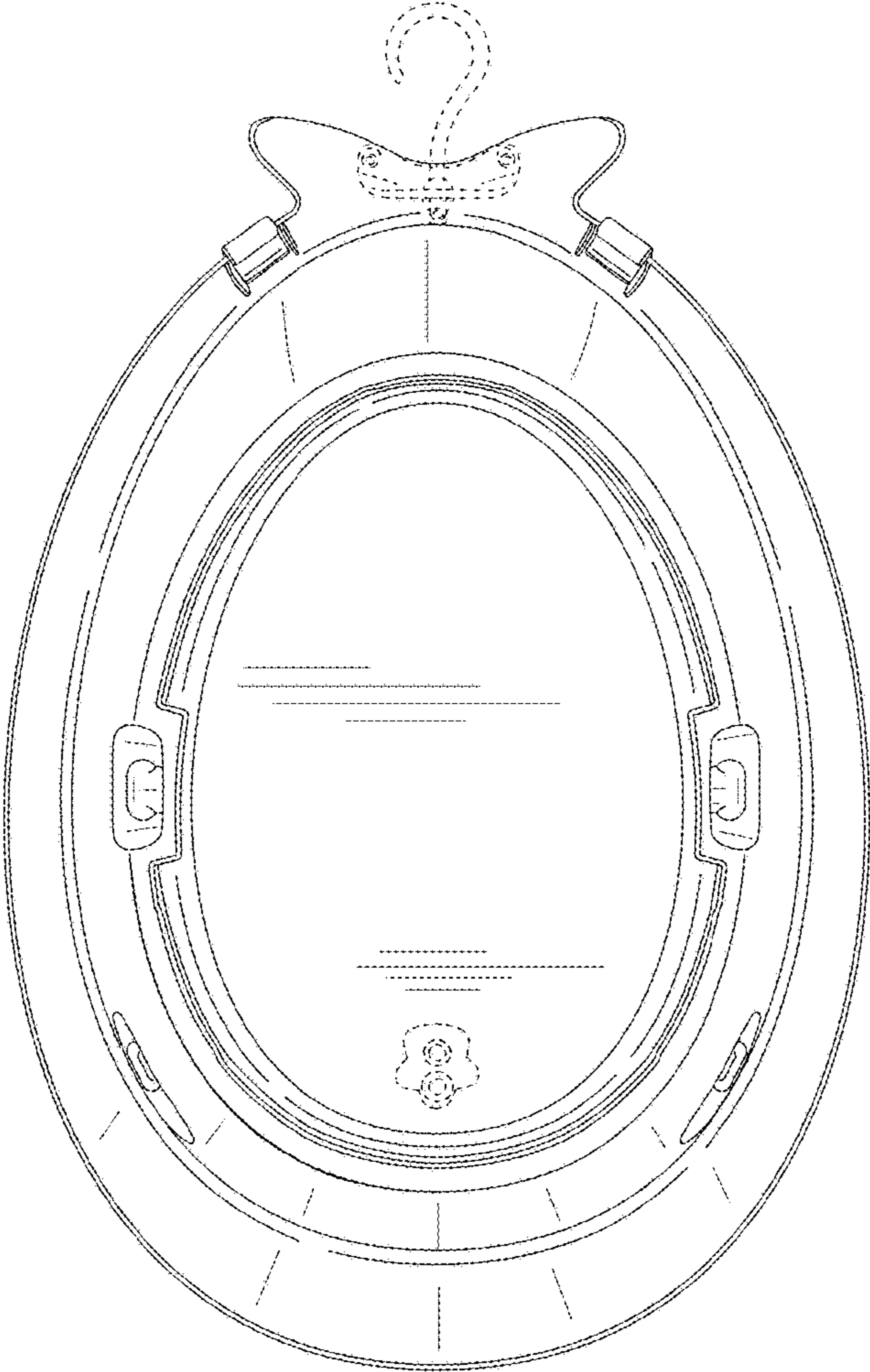


FIG. 4

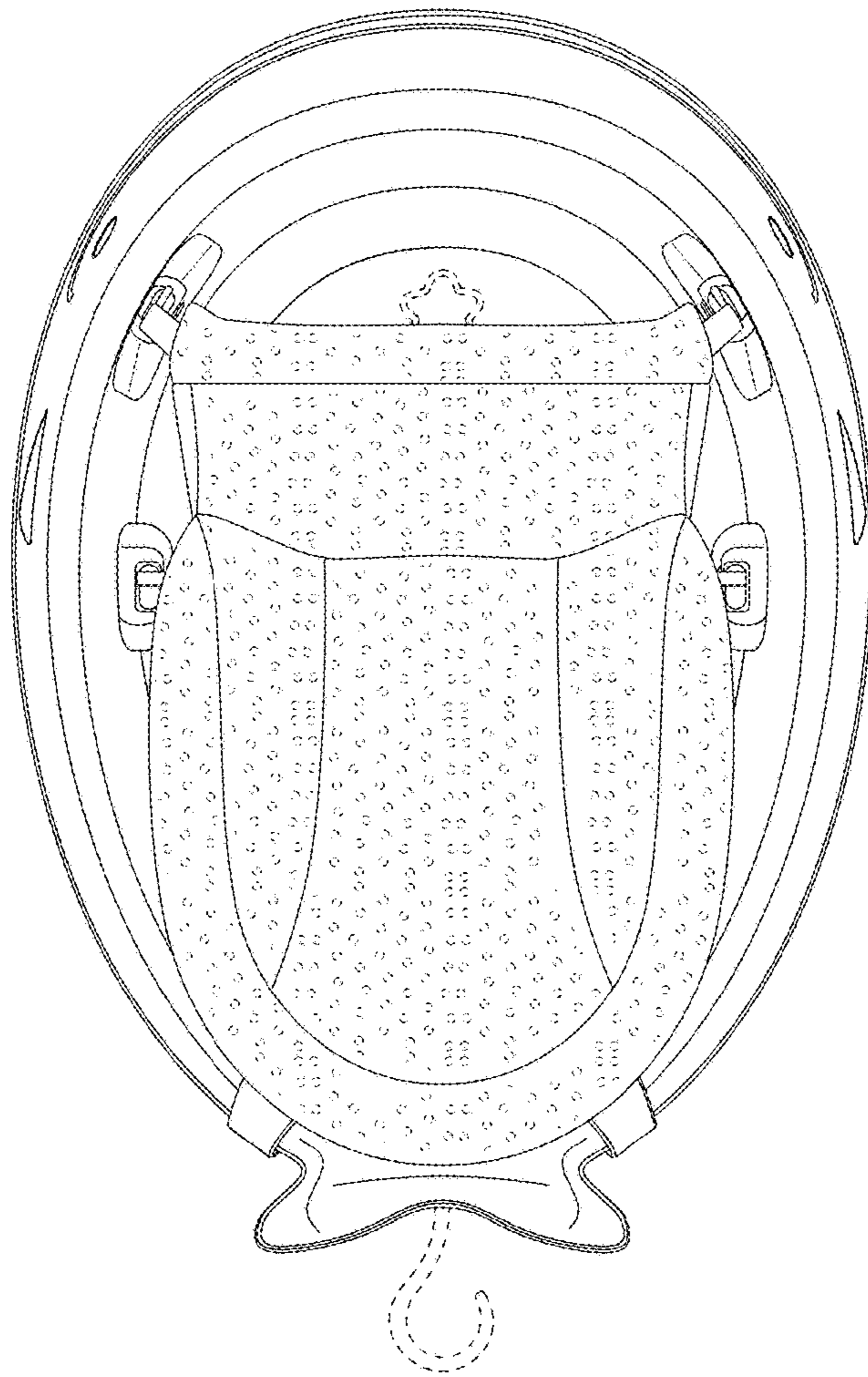


FIG. 5

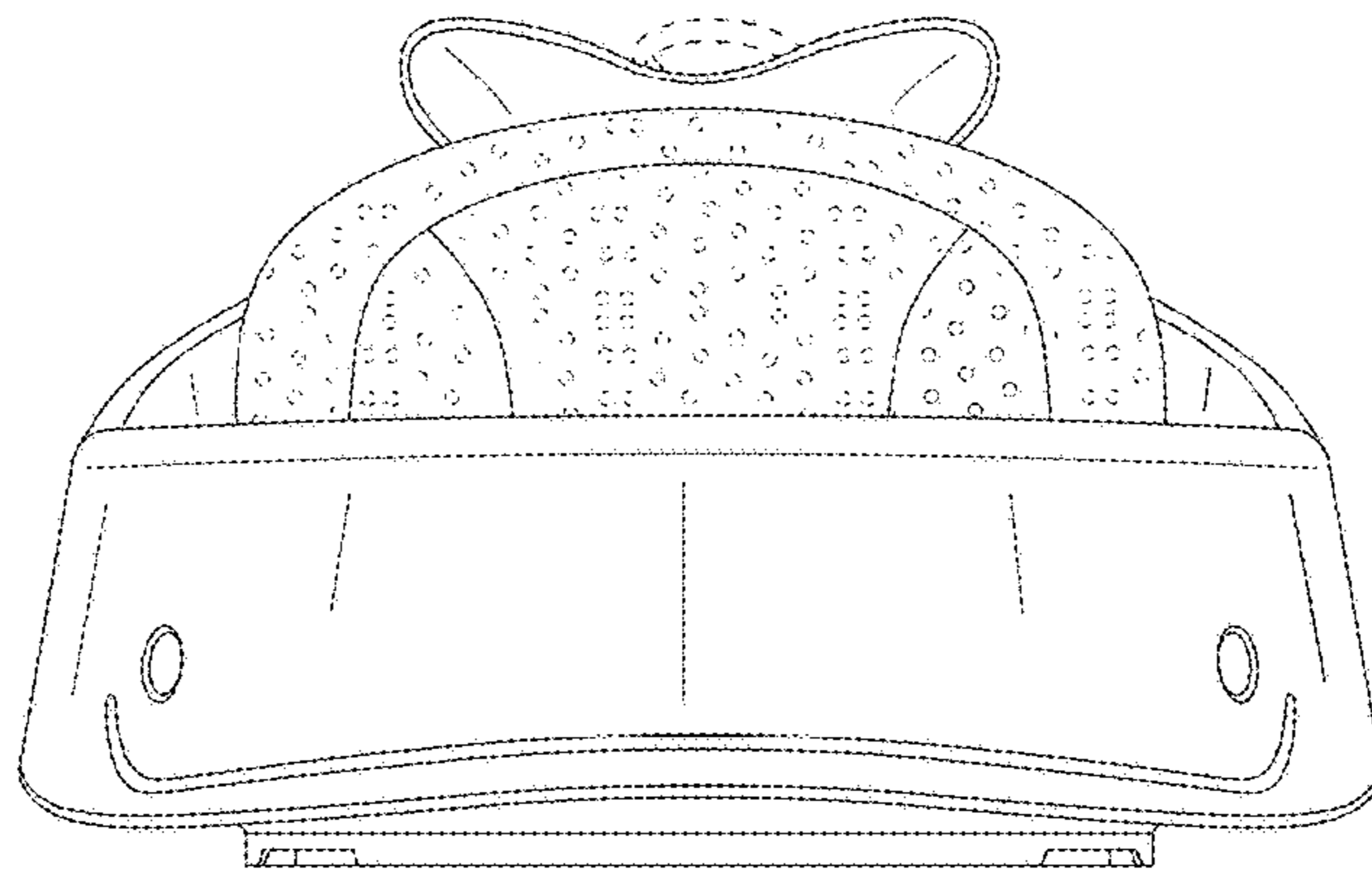


FIG. 6

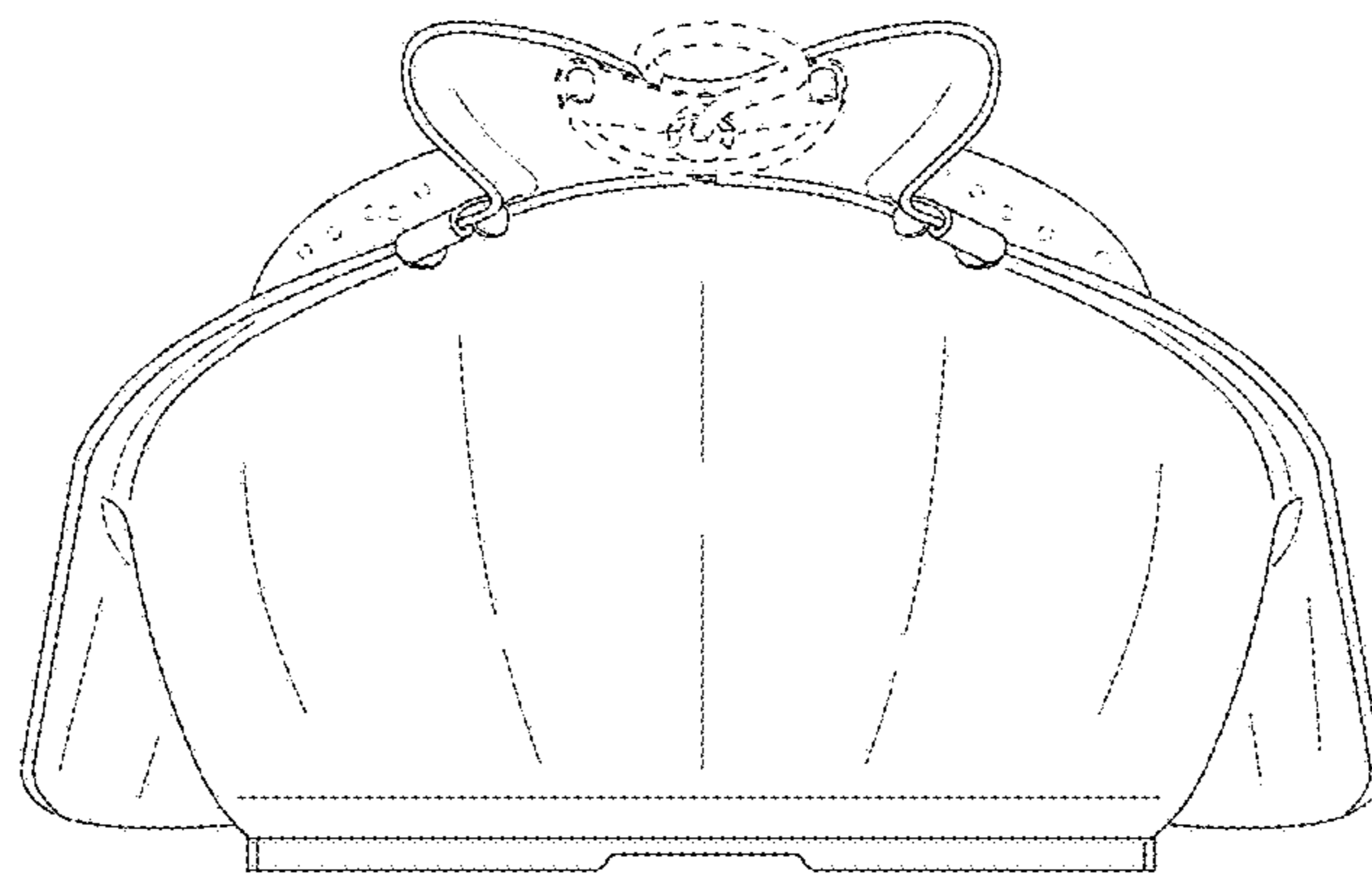


FIG. 7

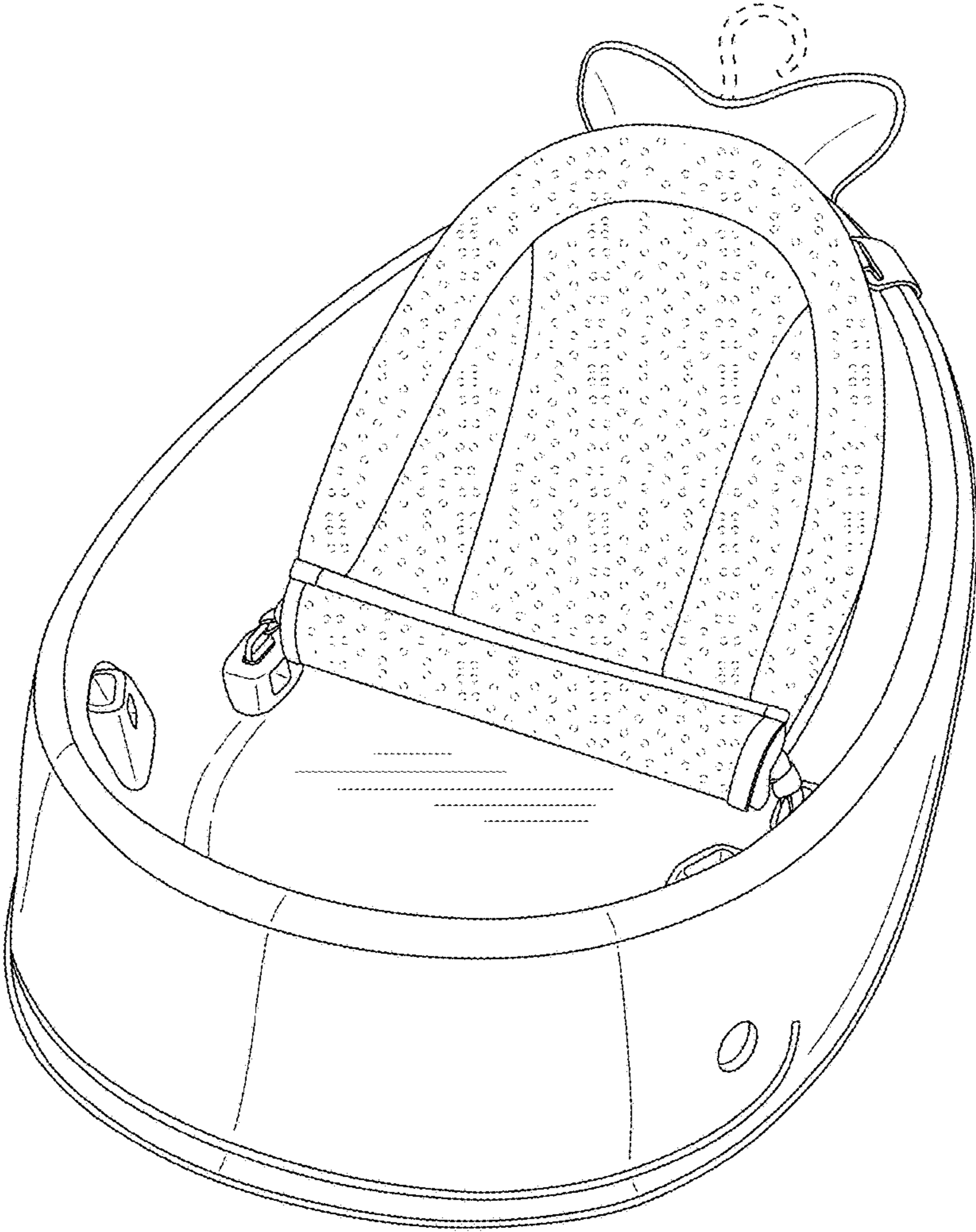


FIG. 8

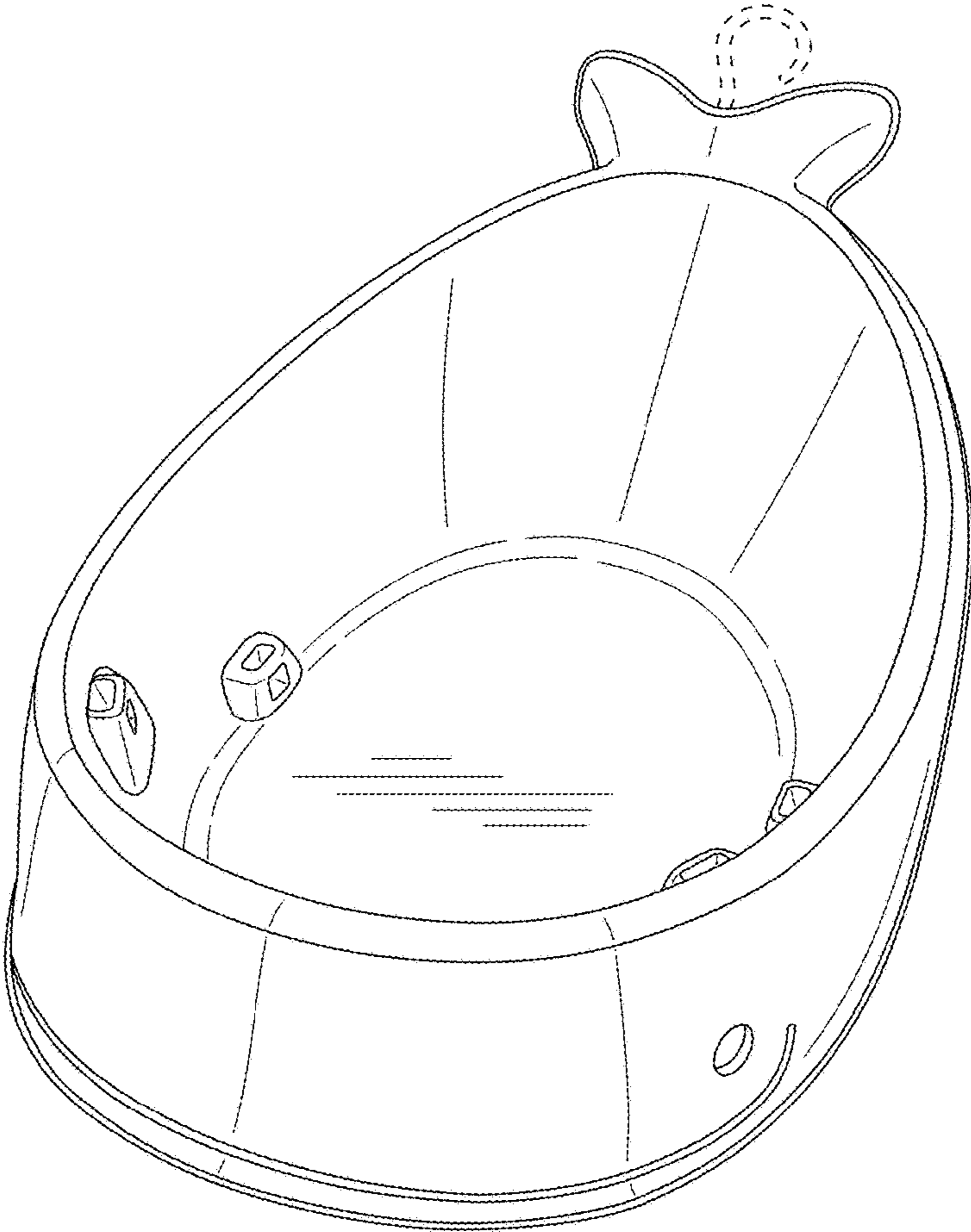


FIG. 9