

US00D847954S

(12) **United States Design Patent** (10) **Patent No.:** **US D847,954 S**  
**Keizers** (45) **Date of Patent:** **\*\* May 7, 2019**

(54) **SHOWER DRAIN**

(71) Applicant: **Keizerskroon Beheer B.V.**, Oldenzaal (NL)

(72) Inventor: **Jurgen Hendrik Peter Jozeph Keizers**, Losser (NL)

(73) Assignee: **Keizerskroon Beheer BV**, Oldenzaal (NL)

(\*\*) Term: **15 Years**

(21) Appl. No.: **29/660,441**

(22) Filed: **Aug. 21, 2018**

**Related U.S. Application Data**

(62) Division of application No. 29/614,395, filed on Aug. 18, 2017.

(30) **Foreign Application Priority Data**

Feb. 23, 2017	(EM)	003763473-0001
Feb. 23, 2017	(EM)	003763473-0002
Feb. 23, 2017	(EM)	003763473-0003
Feb. 23, 2017	(EM)	003763473-0004
Feb. 23, 2017	(EM)	003763473-0005
Feb. 23, 2017	(EM)	003763473-0006
Feb. 23, 2017	(EM)	003763473-0007
Feb. 23, 2017	(EM)	003763473-0008
Feb. 23, 2017	(EM)	003763473-0009
Feb. 23, 2017	(EM)	003763473-0010
Feb. 23, 2017	(EM)	003763473-0011
Feb. 23, 2017	(EM)	003763473-0012
Feb. 23, 2017	(EM)	003763473-0013
Feb. 23, 2017	(EM)	003763473-0014
Feb. 23, 2017	(EM)	003763473-0015
Feb. 23, 2017	(EM)	003763473-0016
Feb. 23, 2017	(EM)	003763473-0017

Feb. 23, 2017 (EM) ..... 003763473-0018  
(Continued)

(51) **LOC (11) Cl.** ..... **23-01**

(52) **U.S. Cl.**  
USPC ..... **D23/261**

(58) **Field of Classification Search**  
USPC ..... D23/259-261, 267-268, 388, 397, 400;  
404/2-4; 210/163-164, 166;  
(Continued)

(56) **References Cited**

U.S. PATENT DOCUMENTS

D246,251 S 11/1977 Hirsch et al.  
D497,977 S 11/2004 Engelbrektsson  
(Continued)

*Primary Examiner* — Eric L Goodman  
*Assistant Examiner* — Amy C Wierenga

(74) *Attorney, Agent, or Firm* — Woodard, Emhardt, Henry, Reeves & Wagner, LLP

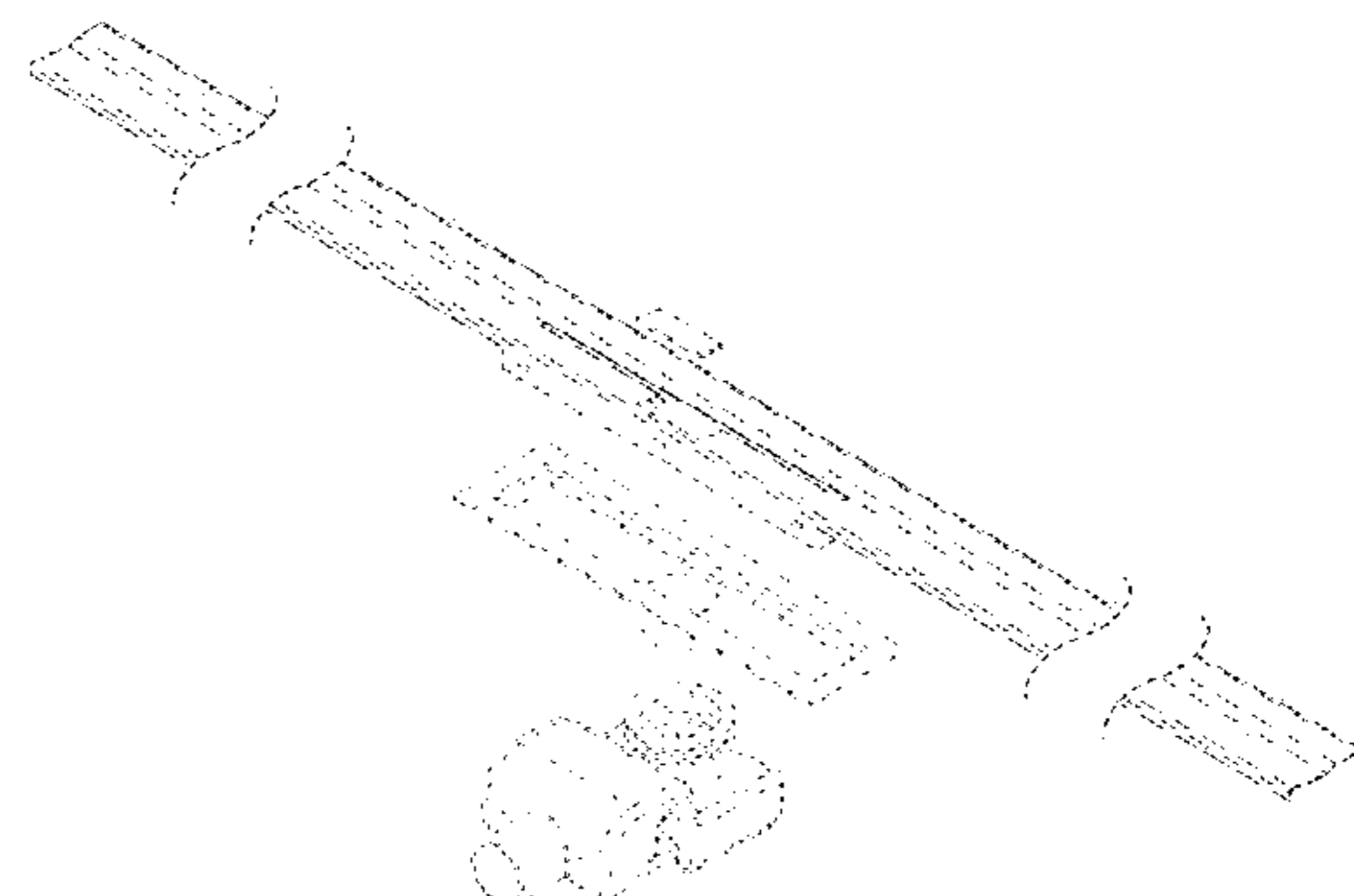
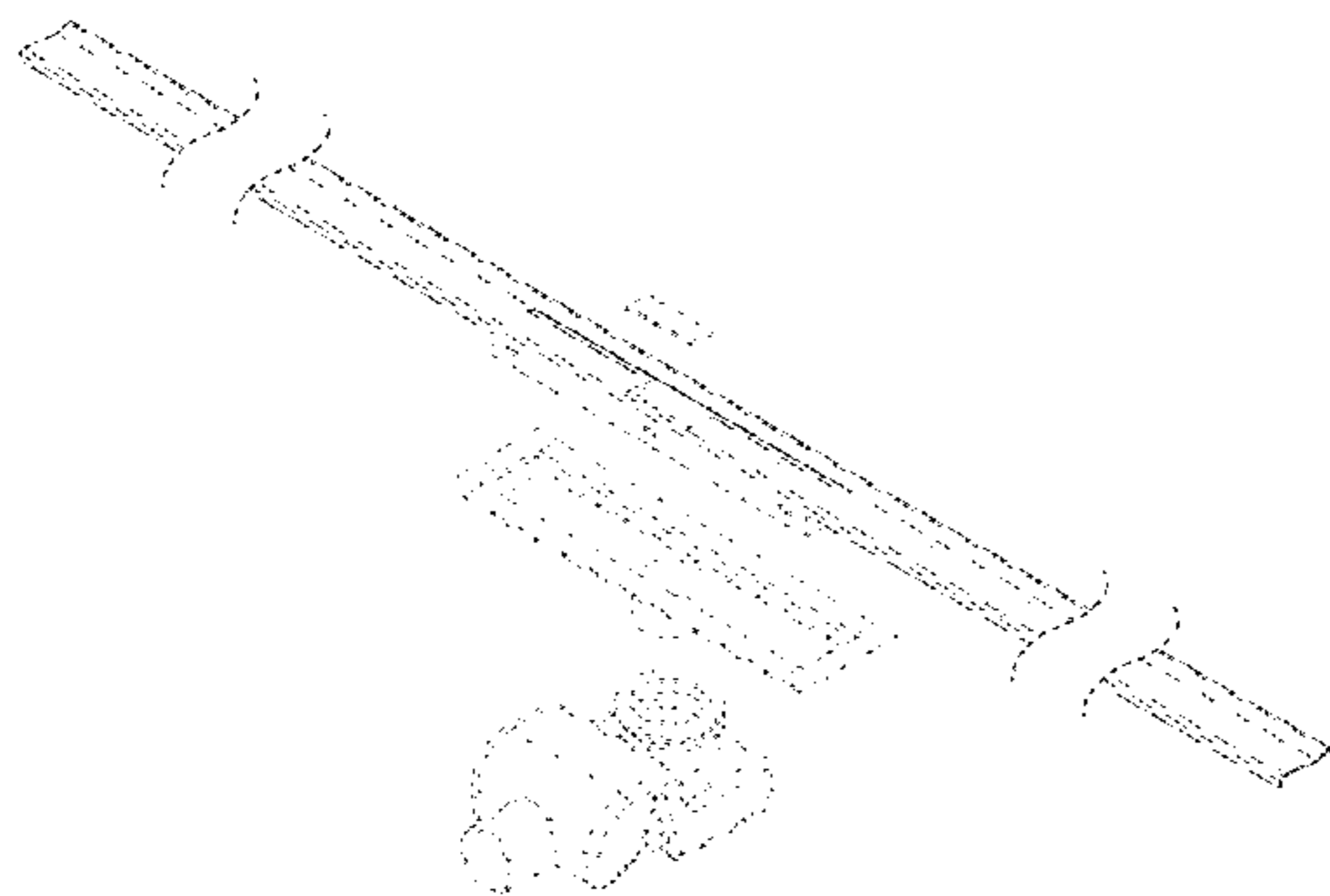
(57) **CLAIM**

The ornamental design for a shower drain, as shown and described.

**DESCRIPTION**

FIG. 1 is an exploded, perspective view of a first embodiment of a shower drain;  
FIG. 2 is a top view of the shower drain of FIG. 1;  
FIG. 3 is an exploded, perspective view of a second embodiment of a shower drain; and,  
FIG. 4 is a top view of the shower drain of FIG. 3.  
The dashed broken lines in the drawings illustrate portions of the shower drain and environmental subject matter that form no part of the claim. The shower drain is shown with symbolic breaks in its length. The appearance of any portion of the shower drain between the break lines forms no part of the claim.

**1 Claim, 4 Drawing Sheets**



(30) Foreign Application Priority Data

Feb. 23, 2017 (EM) ..... 003763473-0019  
 Feb. 23, 2017 (EM) ..... 003763473-0020  
 Feb. 23, 2017 (EM) ..... 003763473-0021  
 Feb. 23, 2017 (EM) ..... 003763473-0022  
 Feb. 23, 2017 (EM) ..... 003763473-0023

(58) Field of Classification Search

USPC .... 454/275-277, 284, 289, 291; 4/287, 613,  
 4/679, 680-684, 689-694, 671-673  
 CPC ..... E03C 1/12; E03C 1/20; E03C 1/23; E03C  
 1/26; E03C 1/262; E03C 1/284; E03C  
 1/2302; E03C 1/2306; E03C 1/2001;  
 E03C 1/2413; E03F 5/0408; E03F 5/06;  
 E03F 5/0407; E03F 5/052; A47K 3/405;  
 A47K 3/40

See application file for complete search history.

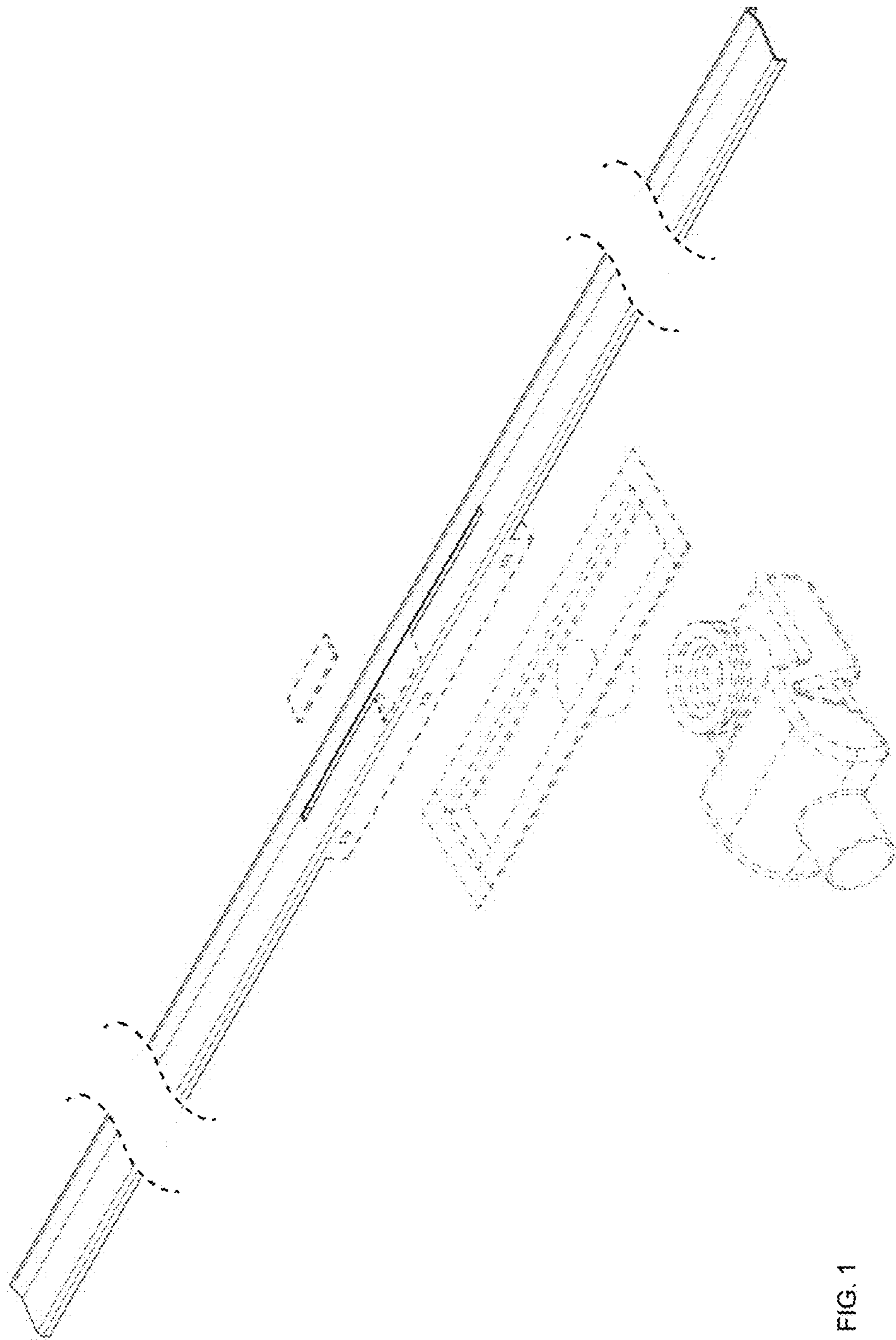
(56) References Cited

U.S. PATENT DOCUMENTS

D585,940 S 2/2009 Lin  
 D657,858 S 4/2012 Platt  
 8,239,974 B2\* 8/2012 Erlebach ..... E03F 5/04  
 4/291  
 8,474,068 B2\* 7/2013 Kik, Sr. .... E03F 3/046  
 4/613  
 8,474,069 B1\* 7/2013 Whiting ..... E03F 5/0408  
 4/613  
 8,475,079 B2\* 7/2013 Humphries ..... E03F 3/046  
 249/11  
 8,505,131 B2\* 8/2013 Doolittle ..... E03F 5/0408  
 4/613

8,850,633 B2\* 10/2014 Erlebach ..... A47K 3/40  
 4/679  
 D742,483 S 11/2015 Chapman et al.  
 D754,305 S 4/2016 Papadatos  
 9,334,638 B1\* 5/2016 Kirby ..... A47K 3/40  
 9,382,701 B2\* 7/2016 Meyers ..... E03C 1/22  
 9,611,634 B2 4/2017 Erlebach  
 D785,766 S 5/2017 Sato  
 D787,646 S 5/2017 Davis et al.  
 D792,954 S\* 7/2017 Sander ..... D23/304  
 D809,635 S\* 2/2018 Licini ..... D23/304  
 D829,306 S 9/2018 Ikedo et al.  
 2007/0017578 A1 1/2007 Dallmer  
 2007/0274781 A1 11/2007 Aubusson et al.  
 2008/0104910 A1 5/2008 Andras et al.  
 2009/0119831 A1 5/2009 Grave et al.  
 2010/0162481 A1 7/2010 Erlebach  
 2010/0176041 A1 7/2010 Schlueter  
 2011/0061161 A1 3/2011 Erlebach  
 2011/0067175 A1\* 3/2011 Steylaerts ..... E03F 5/0408  
 4/679  
 2011/0162137 A1 7/2011 Kik, Sr. et al.  
 2011/0203979 A1\* 8/2011 Schlueter ..... E03F 5/04  
 210/164  
 2013/0174921 A1 7/2013 Schluter  
 2013/0326806 A1\* 12/2013 Stonecipher ..... E03F 5/06  
 4/613  
 2014/0157514 A1 6/2014 Cook  
 2016/0073831 A1 3/2016 Wedi  
 2016/0130794 A1\* 5/2016 Erlebach ..... E03F 5/0408  
 4/613  
 2017/0241124 A1\* 8/2017 Erlebach ..... A47K 3/40  
 2018/0038091 A1 2/2018 Ismert et al.  
 2018/0279840 A1 10/2018 Ruiz Perez et al.

\* cited by examiner



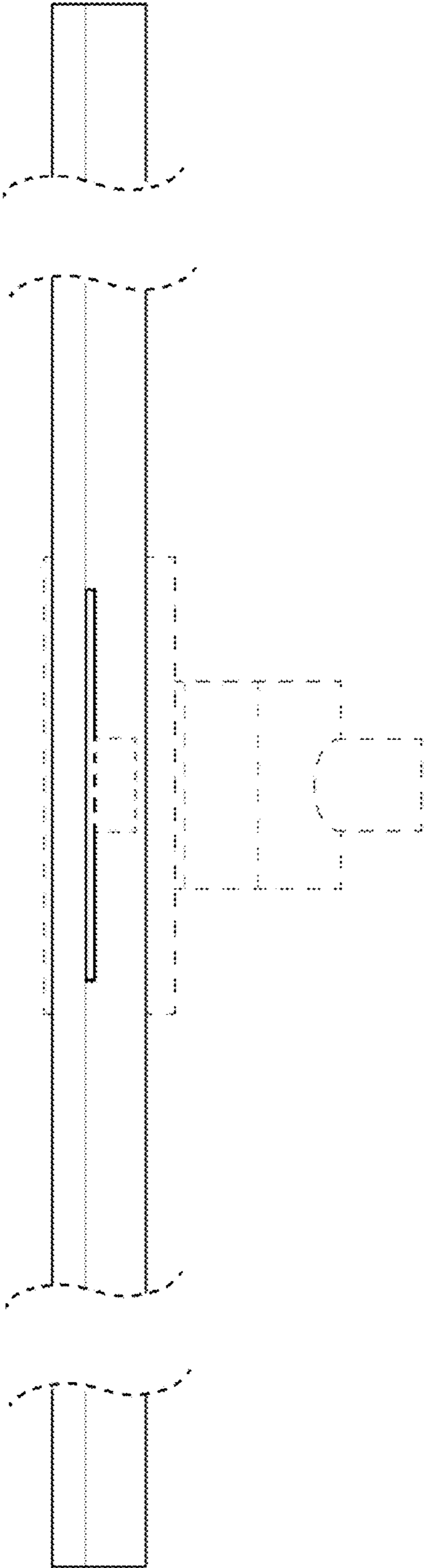


FIG. 2

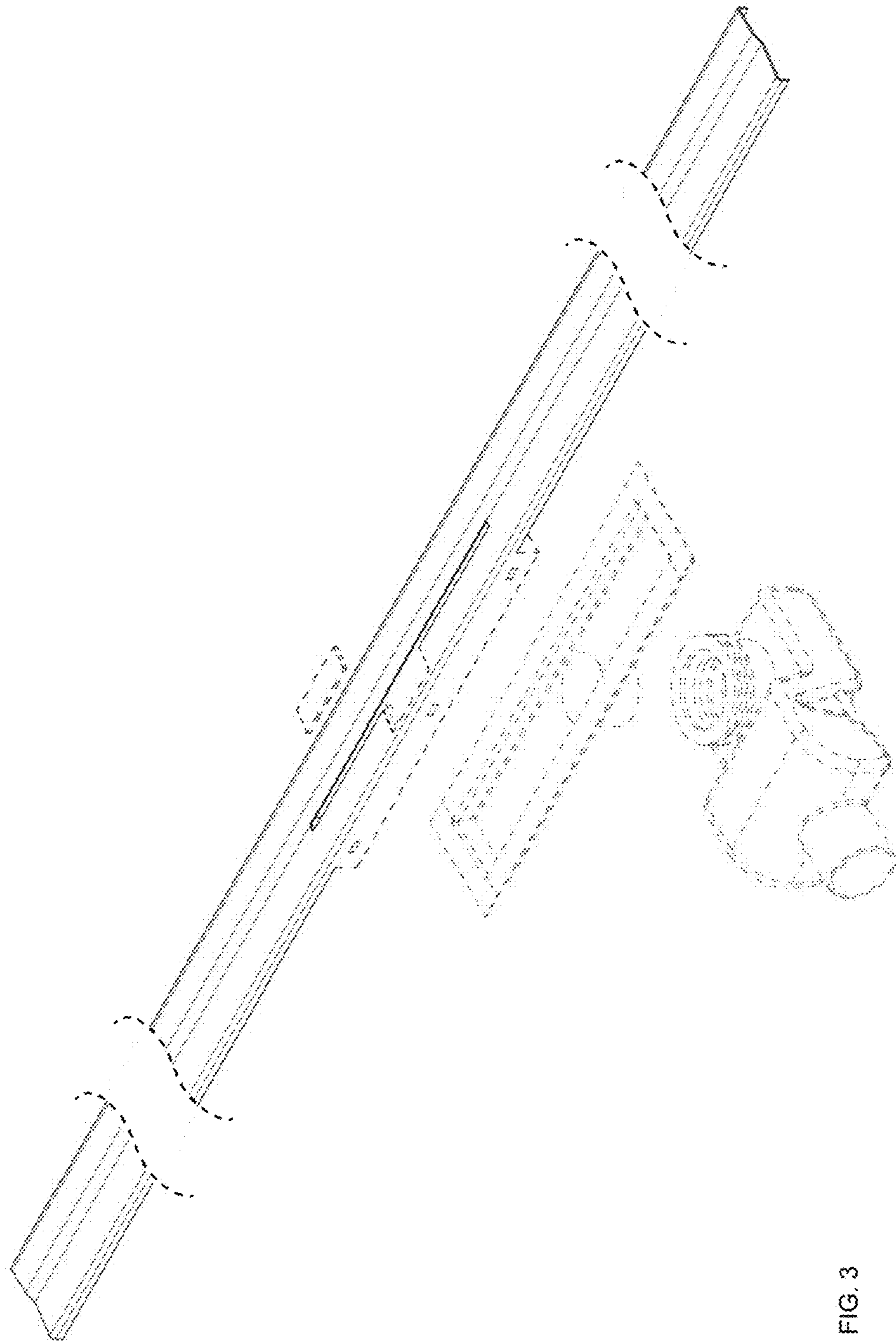


FIG. 3

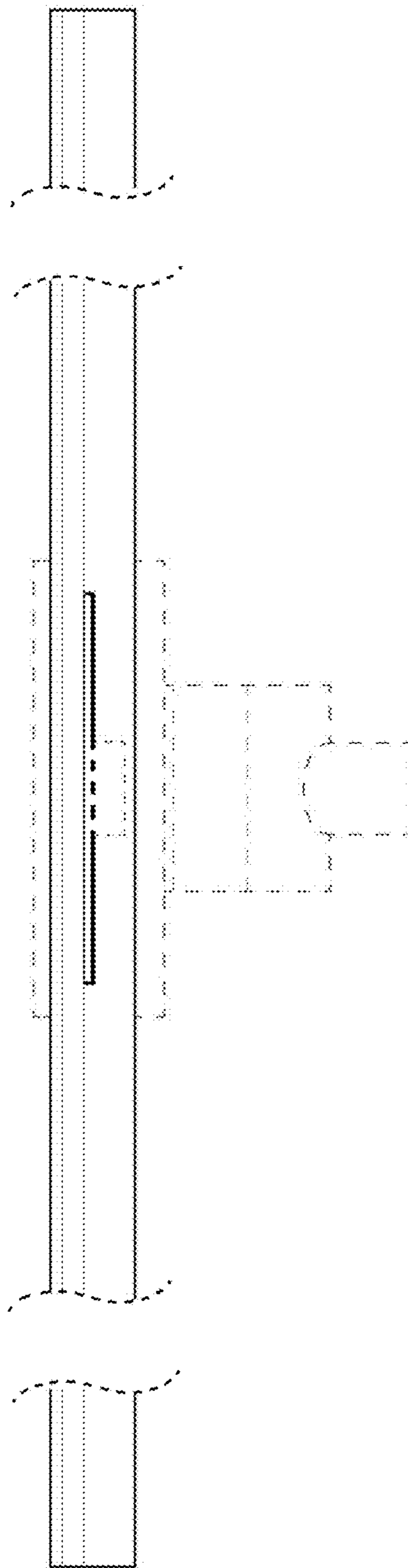


FIG. 4