

US00D847952S

(12) **United States Design Patent** (10) **Patent No.:** **US D847,952 S**  
**Wieser et al.** (45) **Date of Patent:** **\*\* May 7, 2019**

(54) **LAVATORY FIXTURE WITH INTEGRATED FAUCET, SOAP DISPENSER, AND HAND DRYER**

(71) Applicant: **Bradley Fixtures Corporation**,  
Menomonee Falls, WI (US)

(72) Inventors: **Matthias Wieser**, Wendlingen (DE);  
**Pablo Bernal Ruesta**, Stuttgart (DE);  
**Alexander Hoffart**, Bindlach (DE);  
**Andreas Dimitriadis**, Lorch (DE);  
**Cassandra Anne Schneider**,  
Oconomowoc, WI (US); **William L. Haas**,  
Richfield, WI (US)

(73) Assignee: **Bradley Fixtures Corporation**,  
Menomonee Falls, WI (US)

(\*\*) Term: **15 Years**

(21) Appl. No.: **29/625,107**

(22) Filed: **Nov. 7, 2017**

**Related U.S. Application Data**

(62) Division of application No. 29/572,721, filed on Jul. 29, 2016, now Pat. No. Des. 811,535.

(51) **LOC (11) Cl.** ..... **23-01**

(52) **U.S. Cl.**  
USPC ..... **D23/239**; D28/54.1; D6/542

(58) **Field of Classification Search**  
USPC ..... D23/238–241, 249–250, 255, 257;  
D6/542–545; D28/54.1  
CPC ..... E03C 1/04; E03C 1/0401; E03C 1/0402;  
E03C 1/0404; E03C 1/057; E03C 1/052;

(Continued)

(56) **References Cited**

U.S. PATENT DOCUMENTS

D292,430 S \* 10/1987 Enthoven ..... D23/241  
D299,851 S \* 2/1989 Rademacher ..... D23/241  
D315,398 S \* 3/1991 Strignano ..... D23/241

(Continued)

OTHER PUBLICATIONS

Wieser, U.S. Appl. No. 29/607,773.

(Continued)

*Primary Examiner* — Robert A Delehanty

(74) *Attorney, Agent, or Firm* — Boyle Fredrickson, S.C.

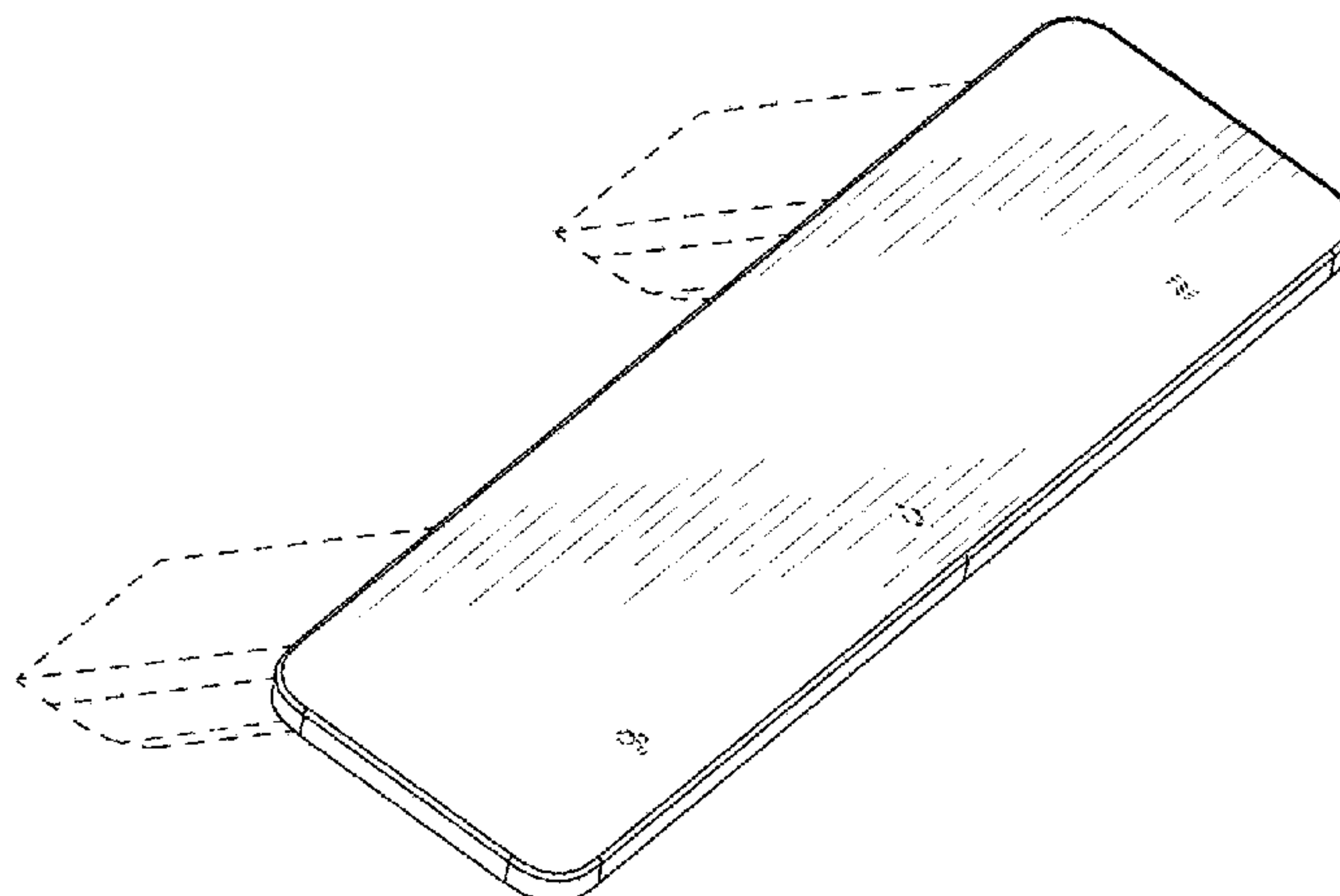
(57) **CLAIM**

The ornamental design for a lavatory fixture with integrated faucet, soap dispenser, and hand dryer, substantially, as shown and described.

**DESCRIPTION**

FIG. 1 is a raised perspective view of a lavatory fixture with a faucet, soap dispenser, and hand dryer all-in-one, according to an embodiment of the invention;  
FIG. 2 is a left side view of the lavatory fixture of FIG. 1;  
FIG. 3 is a right side view of the lavatory fixture of FIG. 1;  
FIG. 4 is a rear view of the lavatory fixture of FIG. 1;  
FIG. 5 is a front view of the lavatory fixture of FIG. 1;  
FIG. 6 is a top view of the lavatory fixture of FIG. 1;  
FIG. 7 raised perspective view of a lavatory fixture with a faucet, soap dispenser, and hand dryer all-in-one, according to an embodiment of the invention;  
FIG. 8 is a right side view of the lavatory fixture of FIG. 7;  
FIG. 9 is a left side view of the lavatory fixture of FIG. 7;  
FIG. 10 is a rear view of the lavatory fixture of FIG. 7;  
FIG. 11 is a front view of the lavatory fixture of FIG. 7; and  
FIG. 12 is a top view of the lavatory fixture of FIG. 7.  
Any broken lines represent environmental structure and form no part of the claimed design.

**1 Claim, 8 Drawing Sheets**



# US D847,952 S

Page 2

(58) **Field of Classification Search**  
CPC .... F16K 31/602; F16K 31/605; F16K 31/607;  
A47K 10/48; A47K 5/1217  
See application file for complete search history.

(56) **References Cited**

## U.S. PATENT DOCUMENTS

D318,320 S *	7/1991	Zerlia .....	D23/241
D509,564 S *	9/2005	Jorgensen .....	D23/238
D580,524 S *	11/2008	Starck .....	D23/254
D622,815 S *	8/2010	Cummings .....	D23/238
D622,816 S *	8/2010	Cummings .....	D23/238
D634,402 S *	3/2011	Zetsche .....	D23/238
D634,404 S *	3/2011	Thornton .....	D23/238
D662,187 S *	6/2012	Sieger .....	D23/238
D664,240 S *	7/2012	Tang .....	D23/238
D672,048 S *	12/2012	Datema .....	D24/210
D686,369 S *	7/2013	Horvath .....	D28/54.1
D708,711 S *	7/2014	Yu .....	D23/238
D708,712 S *	7/2014	Yu .....	D23/238
D708,716 S *	7/2014	Ryu .....	D23/241

D768,267 S *	10/2016	Murray .....	D23/238
D768,824 S	10/2016	Murray et al.	
D785,760 S	5/2017	Murray et al.	
D785,761 S	5/2017	Murray et al.	
D820,404 S *	6/2018	Wieser .....	D23/239
D820,405 S *	6/2018	Wieser .....	D23/239
D820,406 S *	6/2018	Wieser .....	D23/239

## OTHER PUBLICATIONS

Wieser, U.S. Appl. No. 29/627,896.  
Wieser, U.S. Appl. No. 29/608,019.  
Wieser, U.S. Appl. No. 29/608,022.  
Wieser, U.S. Appl. No. 29/608,025.  
Wieser, U.S. Appl. No. 29/608,028.  
Murray, U.S. Appl. No. 29/559,402.  
Murray, U.S. Appl. No. 29/616,994.  
Murray, U.S. Appl. No. 29/616,996.  
Murray, U.S. Appl. No. 29/616,999.  
Kluck, U.S. Appl. No. 29/607,055.

\* cited by examiner

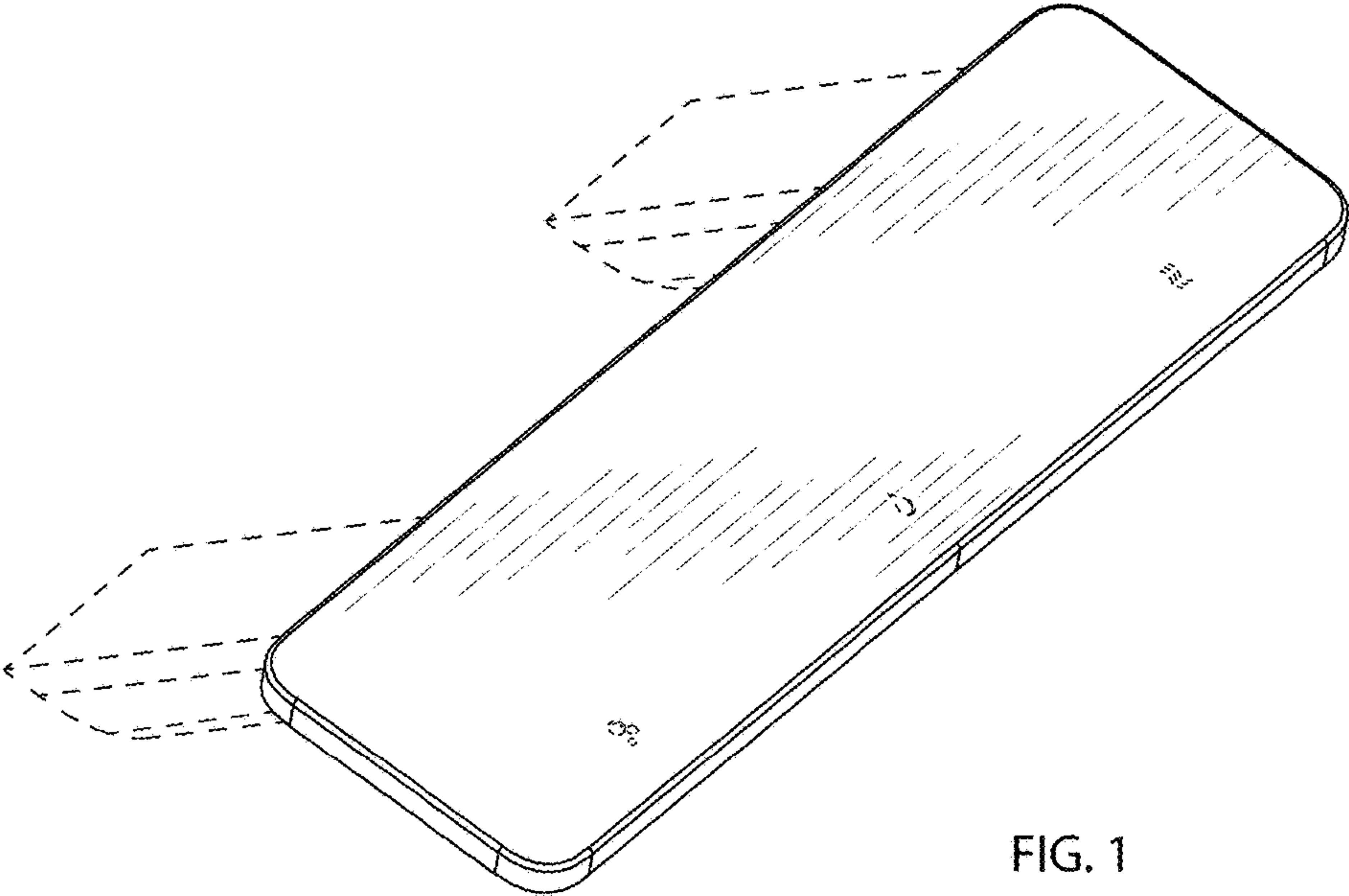


FIG. 1

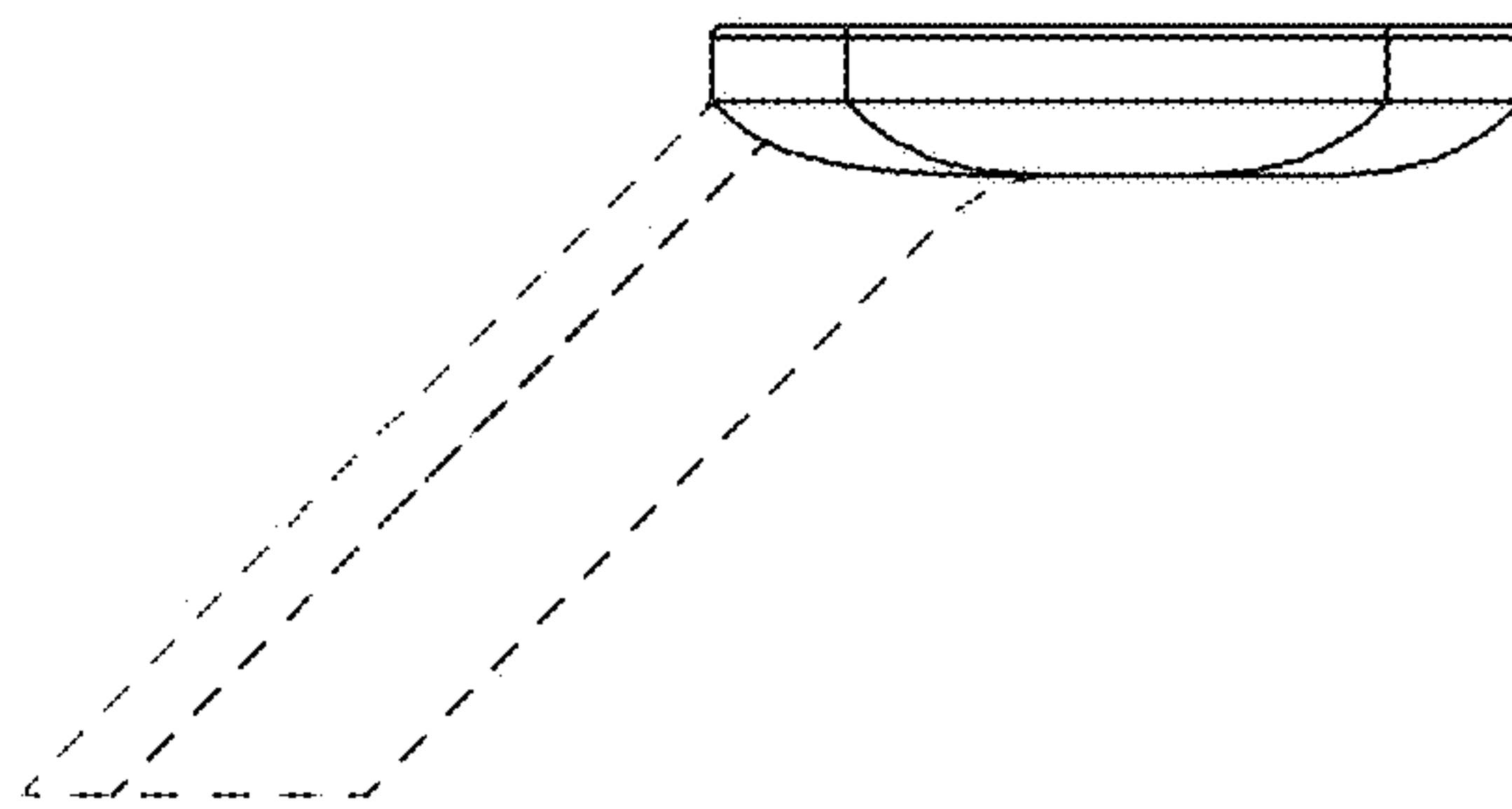


FIG. 2

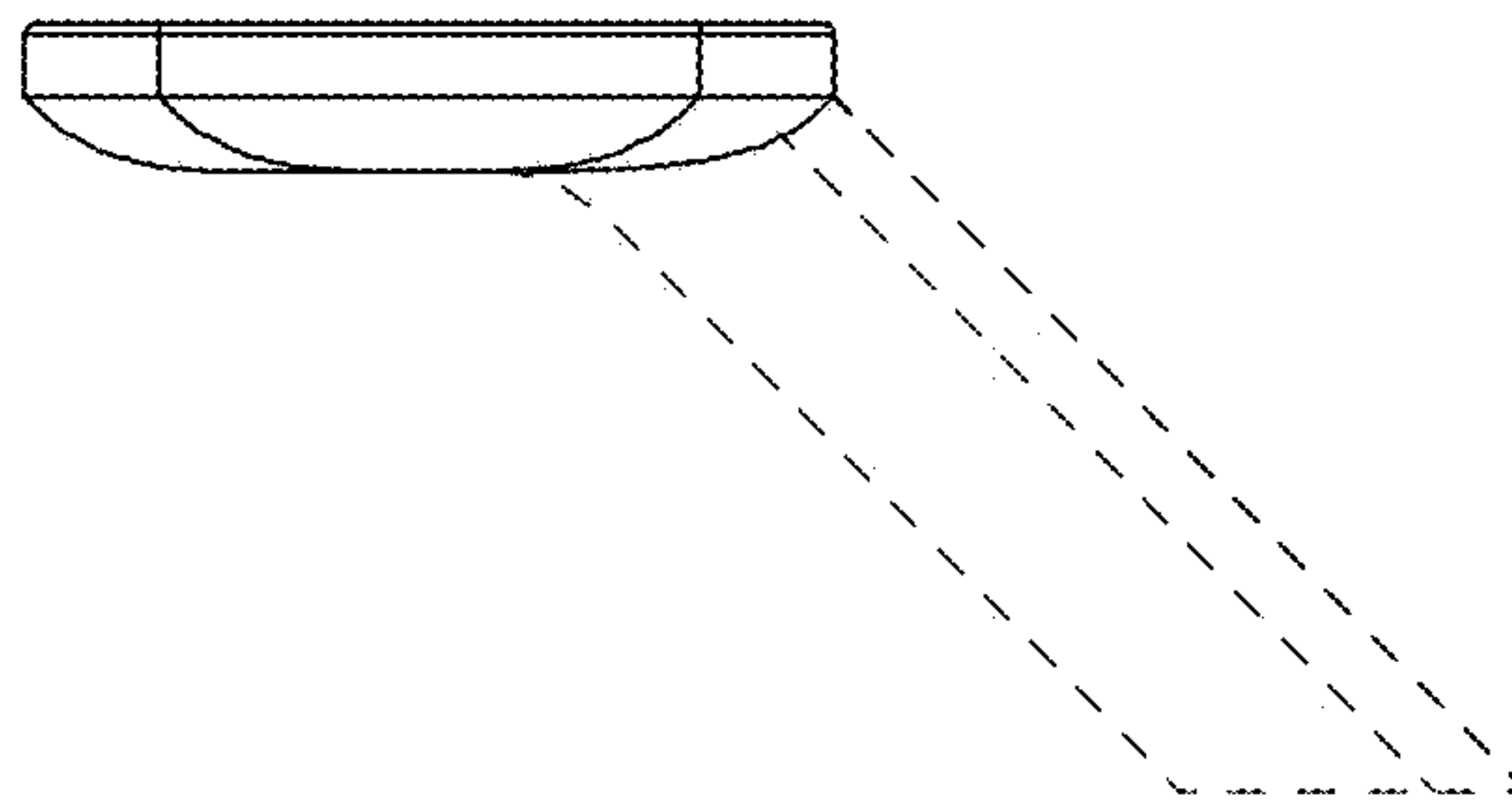


FIG. 3

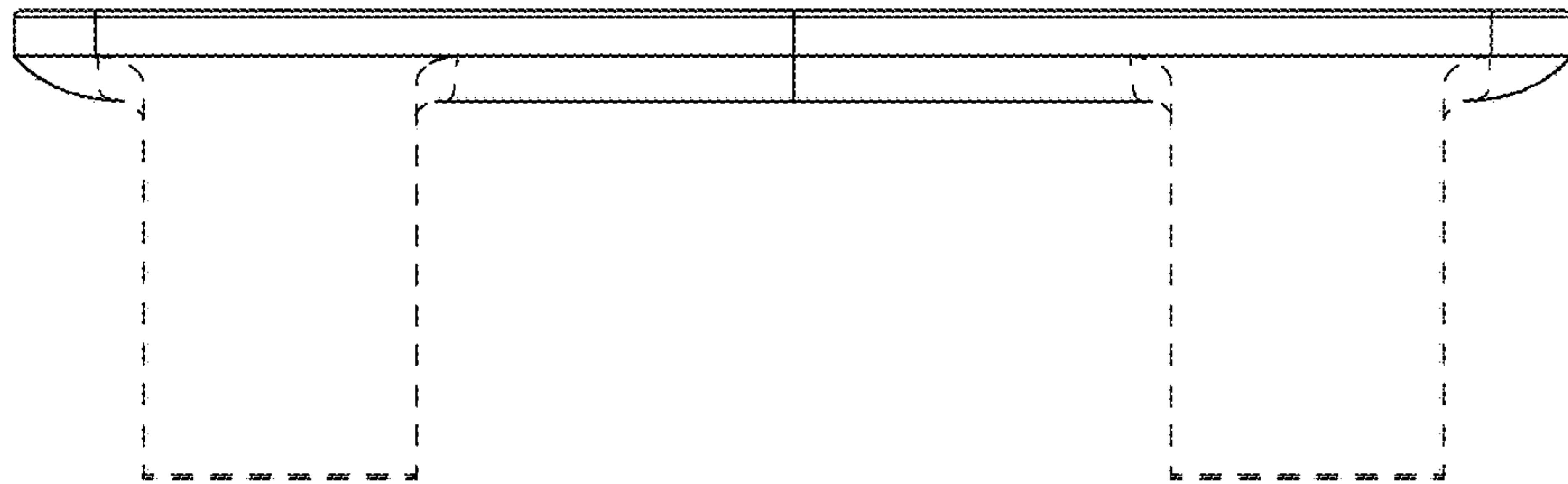


FIG. 4

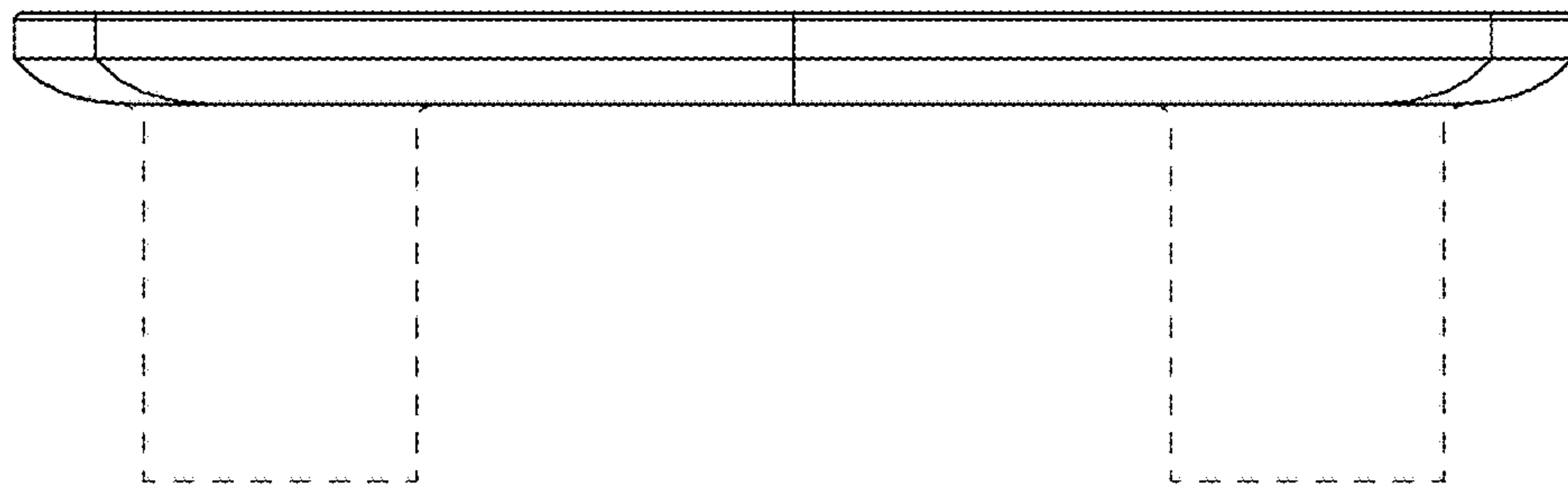


FIG. 5

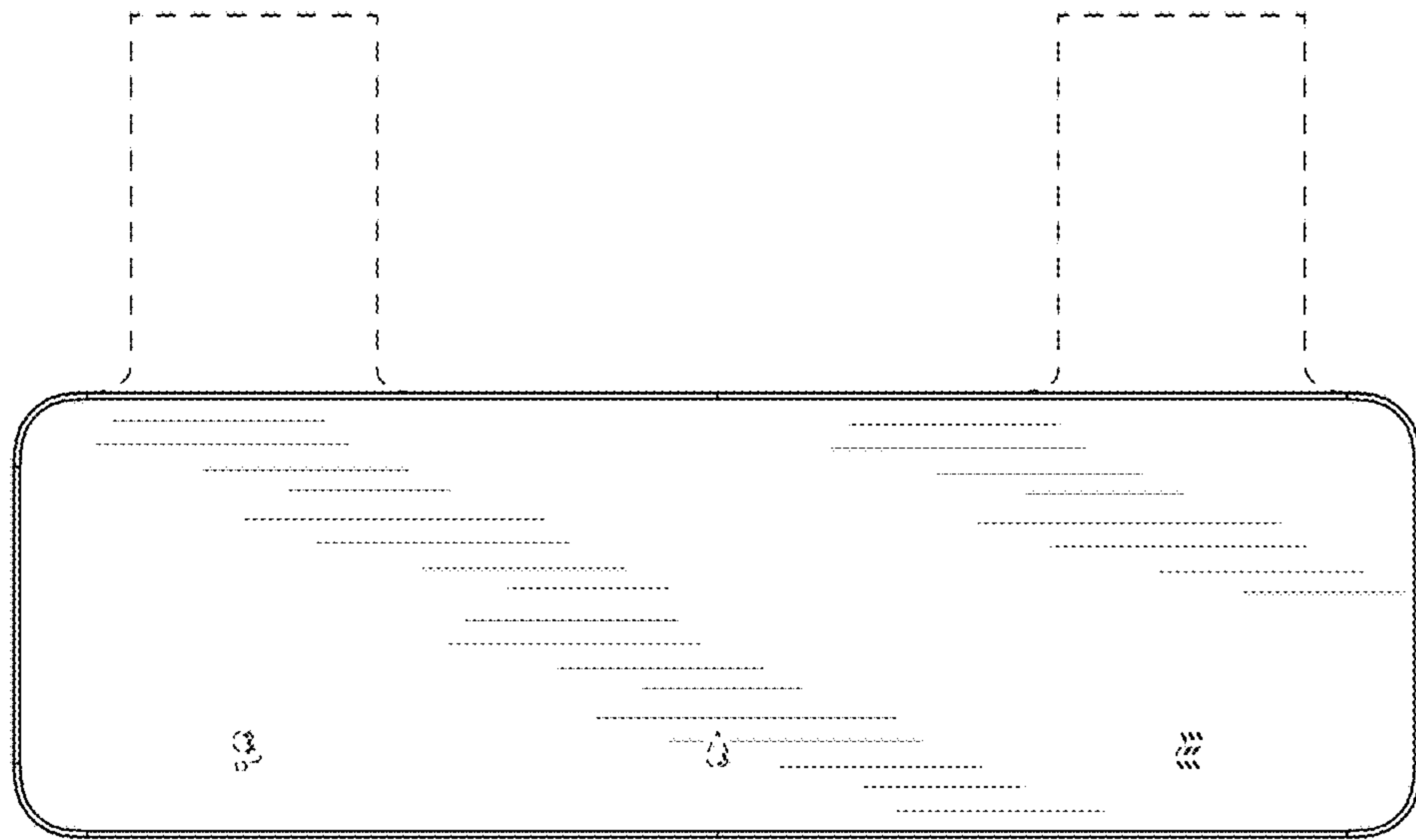


FIG. 6

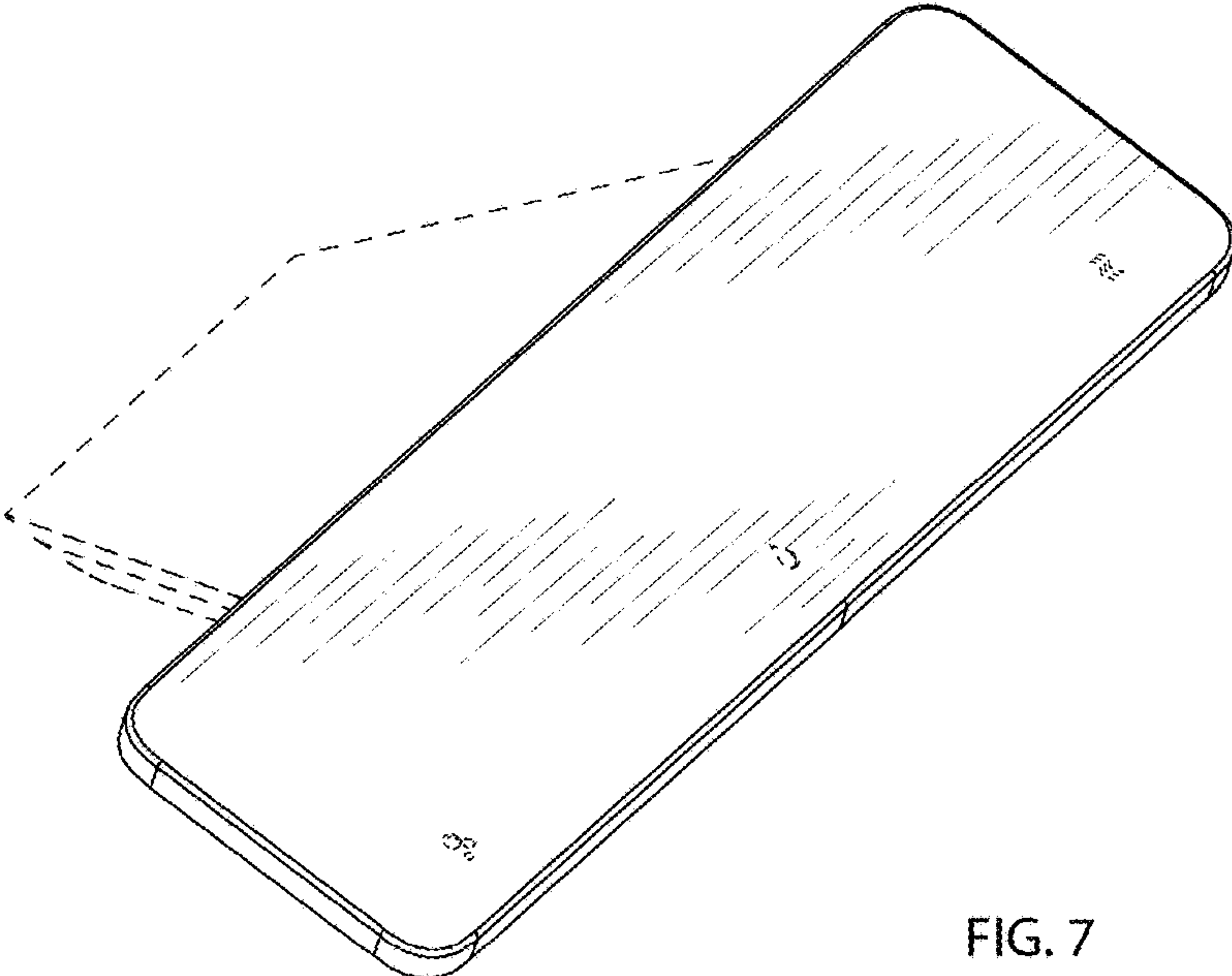


FIG. 7

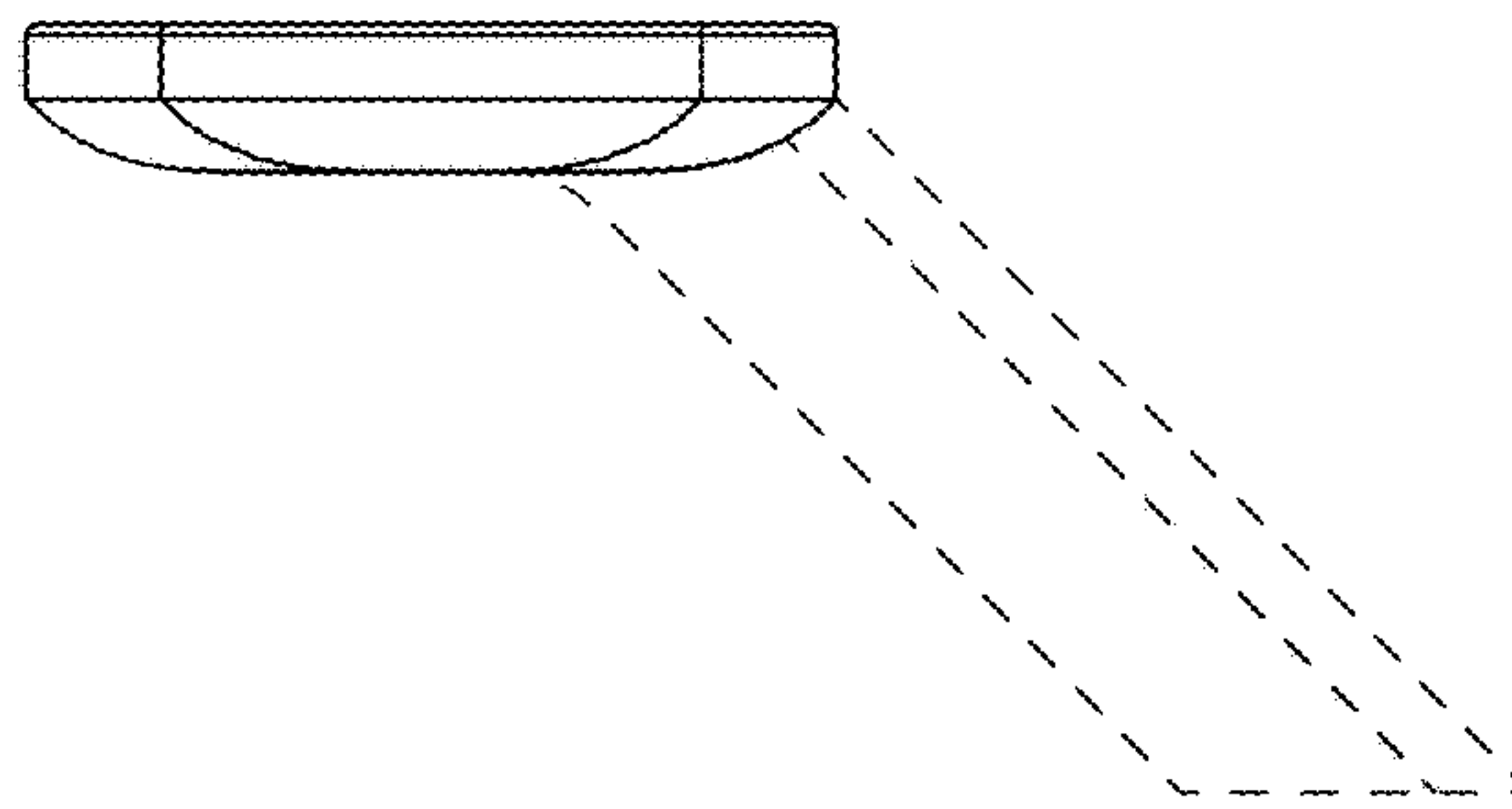


FIG. 8

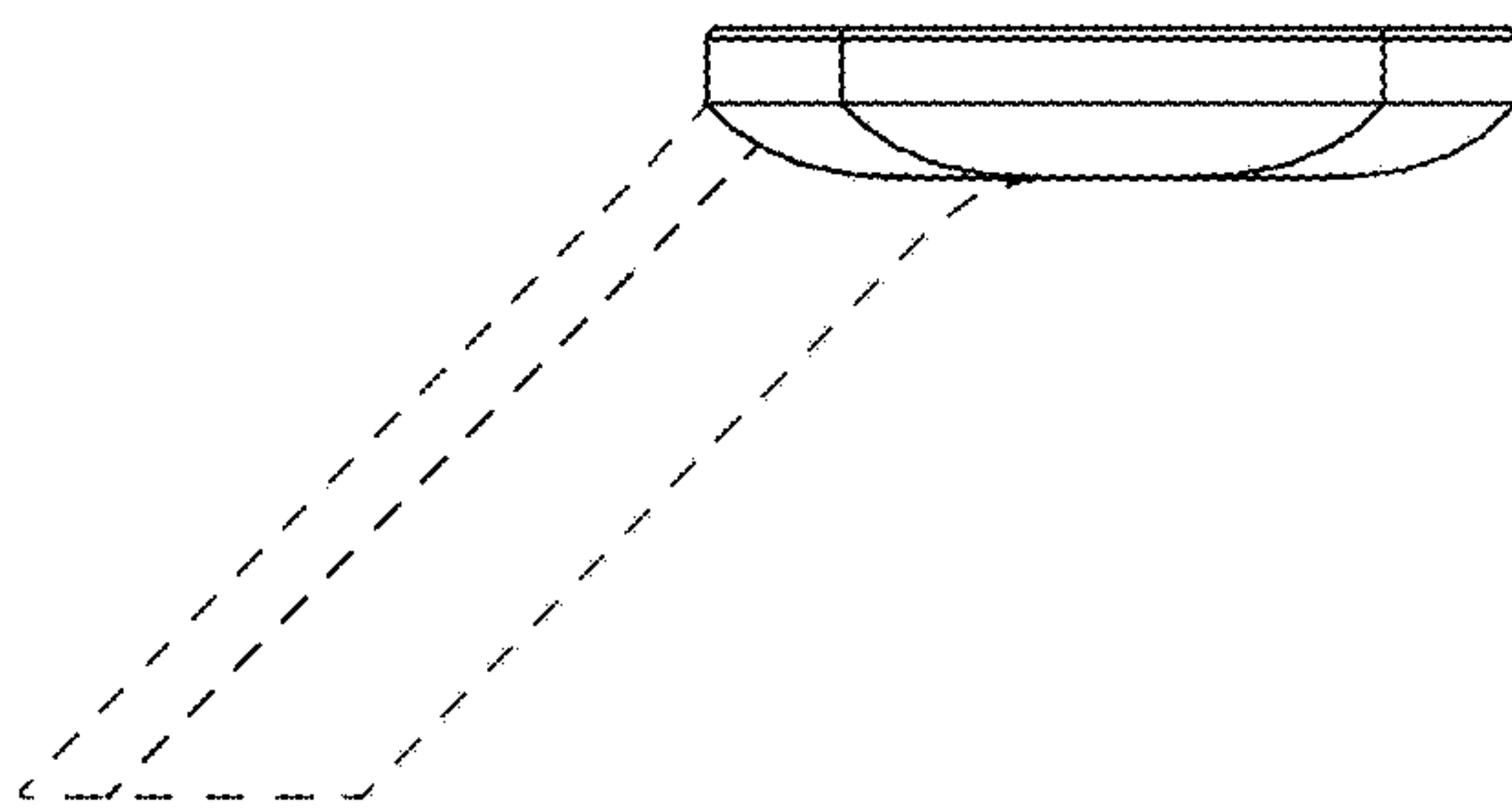
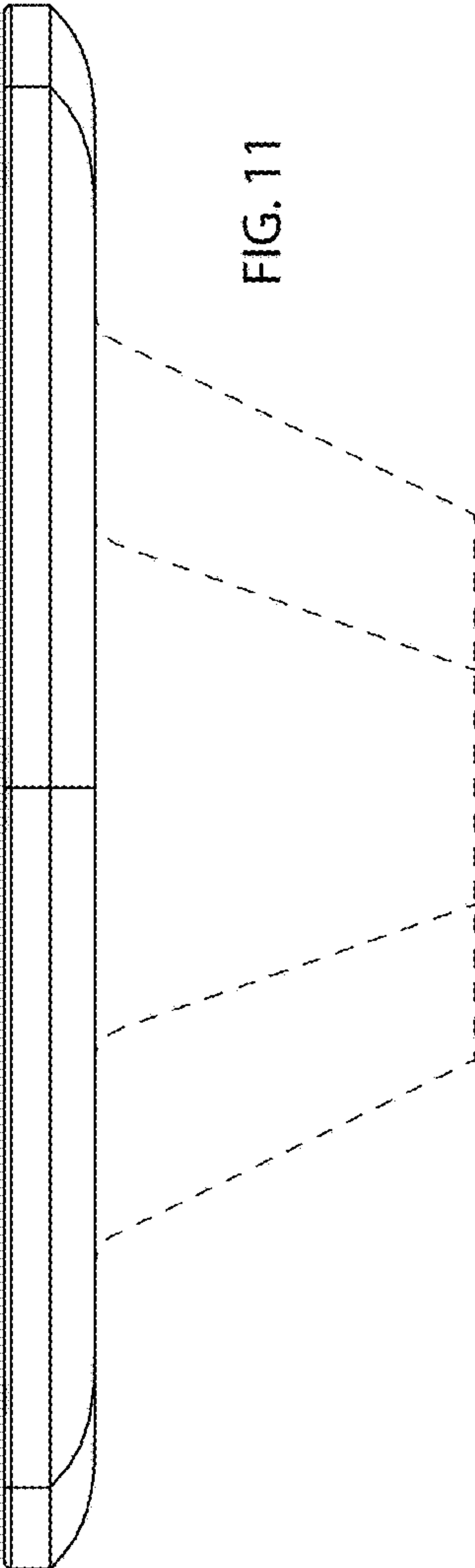
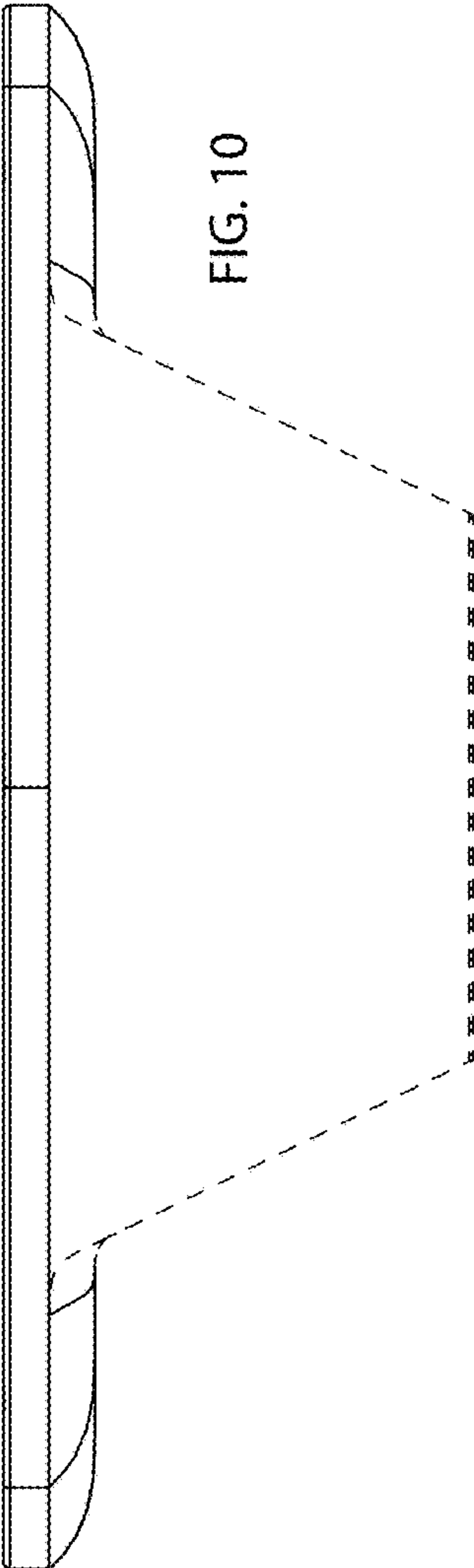


FIG. 9





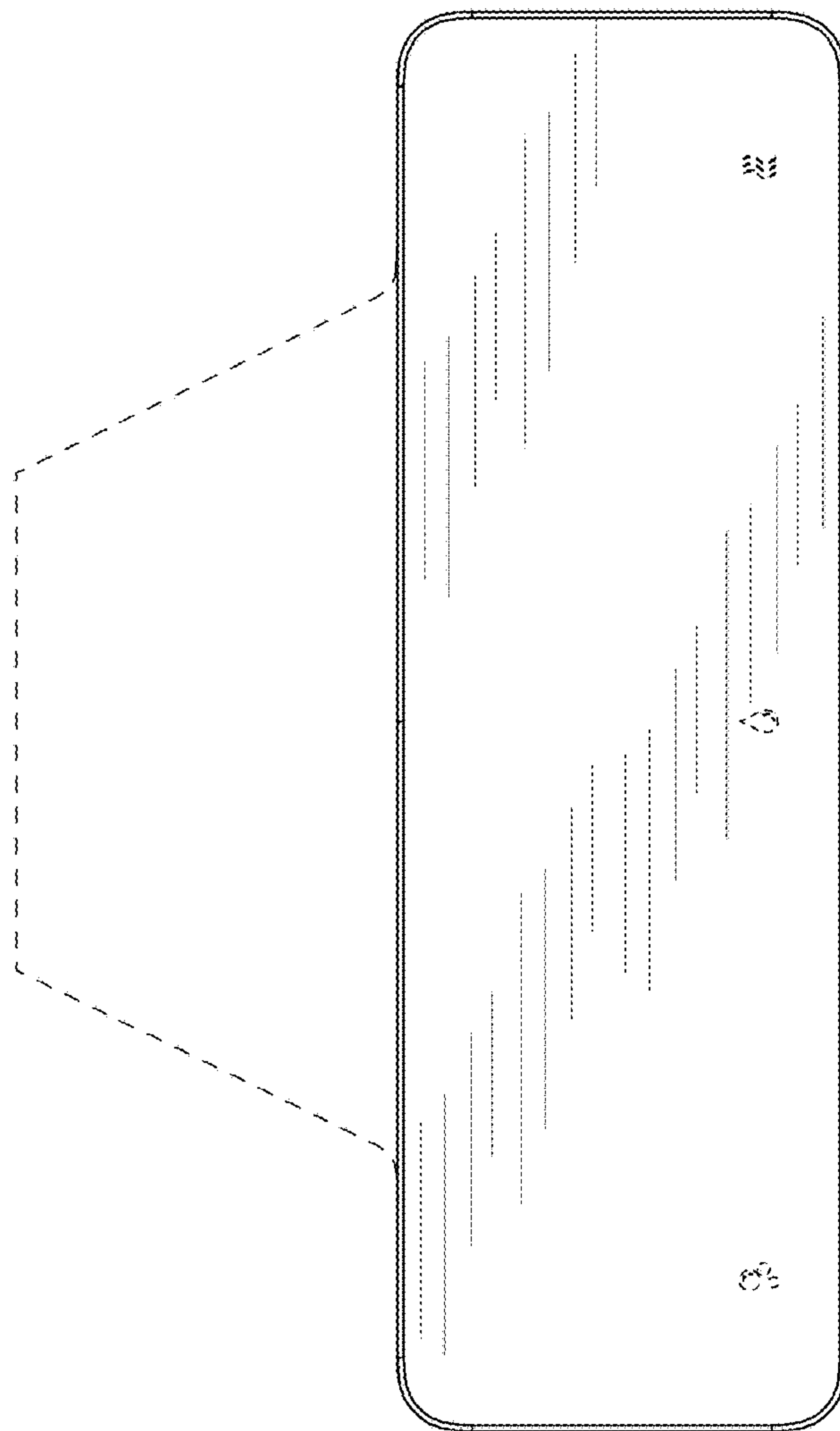


FIG. 12