



US00D847951S

(12) **United States Design Patent**
Zhang

(10) **Patent No.:** **US D847,951 S**

(45) **Date of Patent:** **** May 7, 2019**

(54) **FAUCET**

(71) Applicant: **Shenzhen Xinyanghui E-commerce Co., Ltd.**, Shenzhen (CN)

(72) Inventor: **Xinrui Zhang**, Shenzhen (CN)

(**) Term: **15 Years**

(21) Appl. No.: **29/674,867**

(22) Filed: **Dec. 27, 2018**

(51) **LOC (11) Cl.** **23-01**

(52) **U.S. Cl.**

USPC **D23/238**

(58) **Field of Classification Search**

USPC D23/238-243, 249-250, 252, 254-255, D23/257, 213, 223, 226, 229; D8/300, D8/307-308

CPC ... Y10T 137/9464; E03C 1/04; E03C 1/0403; E03C 1/0402; E03C 1/0404; E03C 1/0405; E03C 1/0412; E03C 1/0413; E03C 1/0409; E03C 1/042

See application file for complete search history.

(56) **References Cited**

U.S. PATENT DOCUMENTS

D544,945 S * 6/2007 Wood D23/238
D580,023 S * 11/2008 Gilbert D23/255

7,533,683 B2 * 5/2009 Ortega E03C 1/0403
137/15.18
D651,287 S * 12/2011 Kwok D23/252
D767,097 S * 9/2016 Kulig D23/238

* cited by examiner

Primary Examiner — Robert A Delehanty

(74) *Attorney, Agent, or Firm* — Wayne V. Harper

(57) **CLAIM**

I claim the ornamental design for a faucet, as shown and described.

DESCRIPTION

FIG. 1 is a perspective view of a faucet showing my new design;

FIG. 2 is back perspective view of the faucet as shown in FIG. 1;

FIG. 3 is a left-side view of the faucet as shown in FIG. 1;

FIG. 4 is a right-side view of the faucet as shown in FIG. 1;

FIG. 5 is a front-side view of the faucet as shown in FIG. 1;

FIG. 6 is a back-side view of the faucet as shown in FIG. 1;

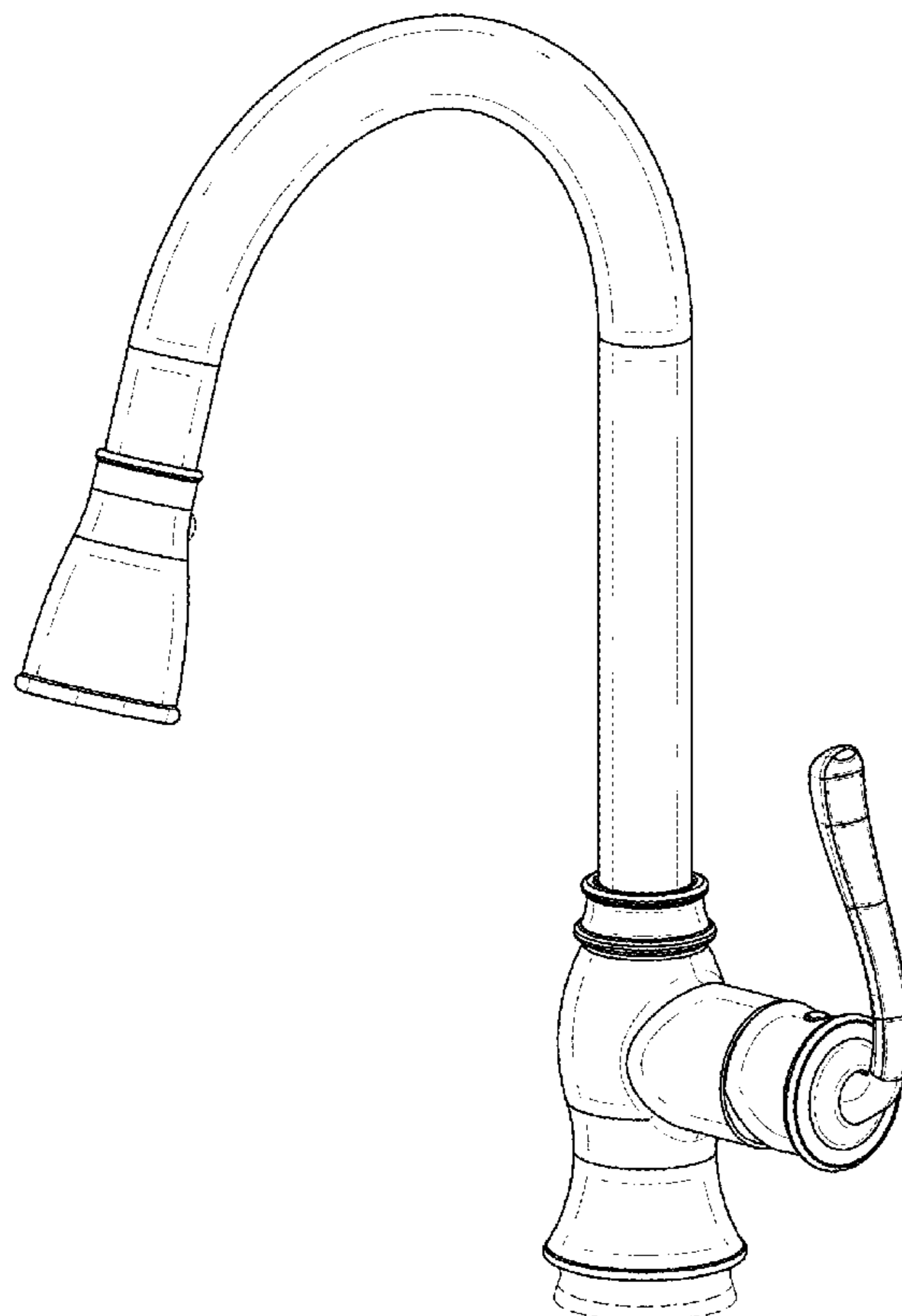
FIG. 7 is a top-side view of the faucet as shown in FIG. 1;

and,

FIG. 8 is a bottom-side view of the faucet as shown in FIG. 1.

The broken lines are only for environmental purposes and form no part of the claimed design. No particular colour scheme forms part of the claimed design.

1 Claim, 7 Drawing Sheets



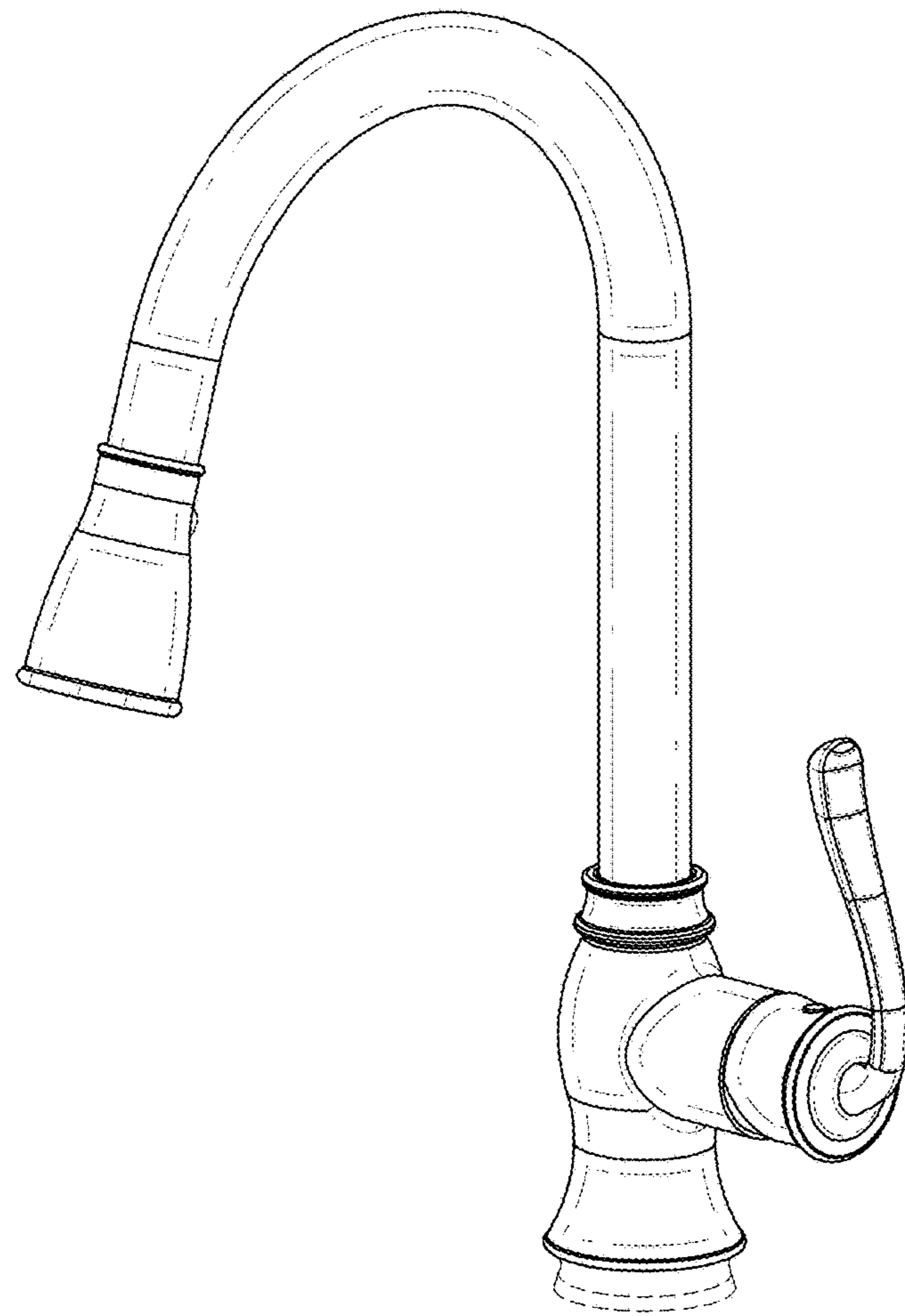


FIG. 1

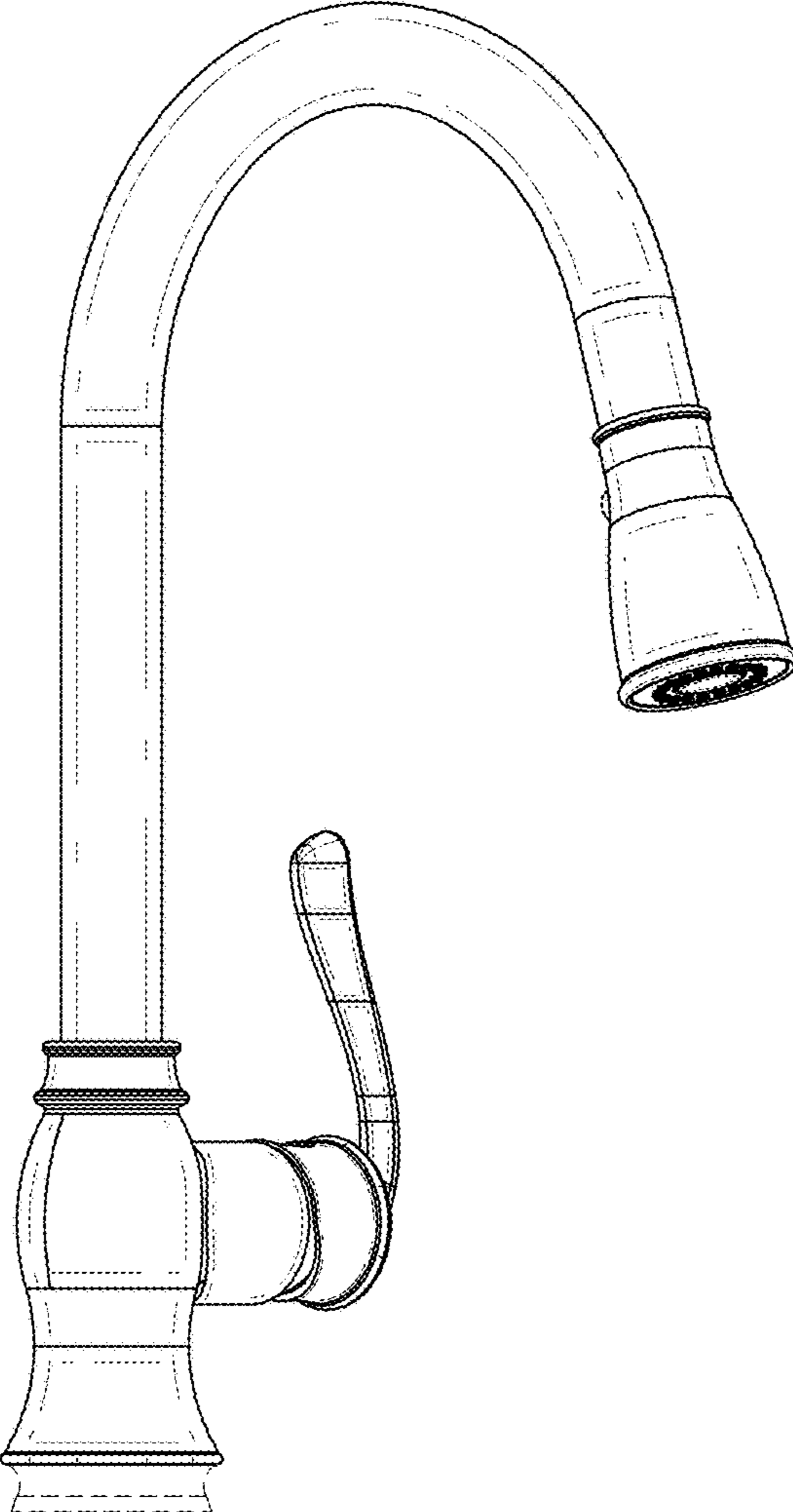


FIG. 2

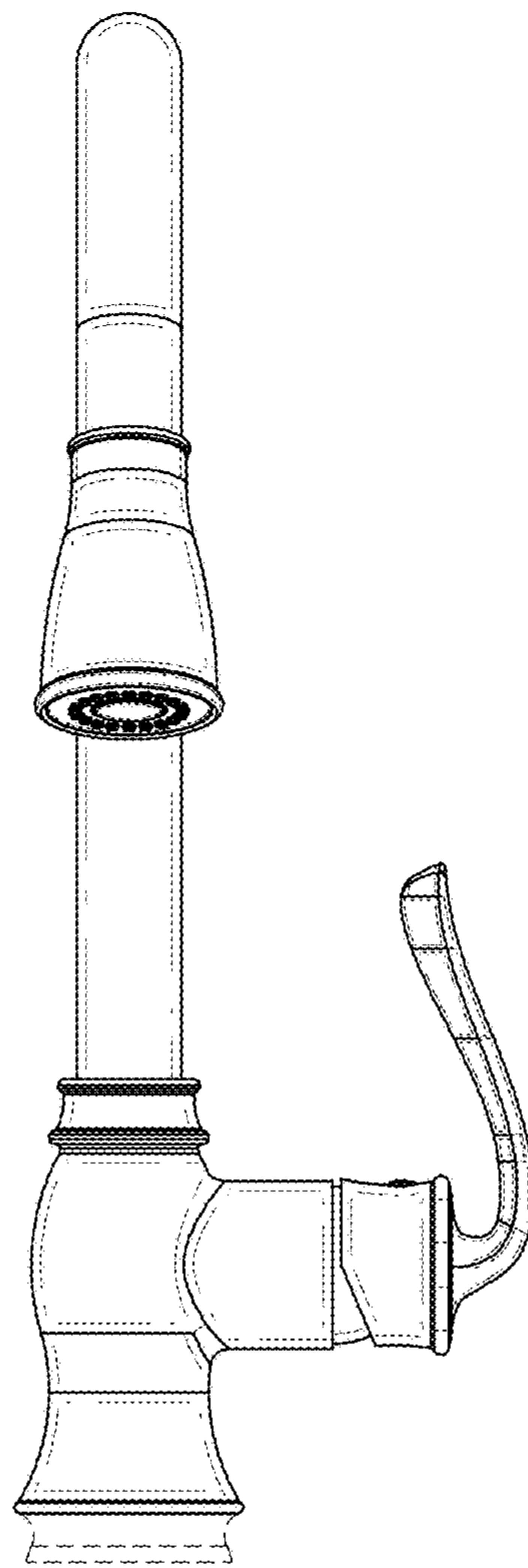


FIG. 3

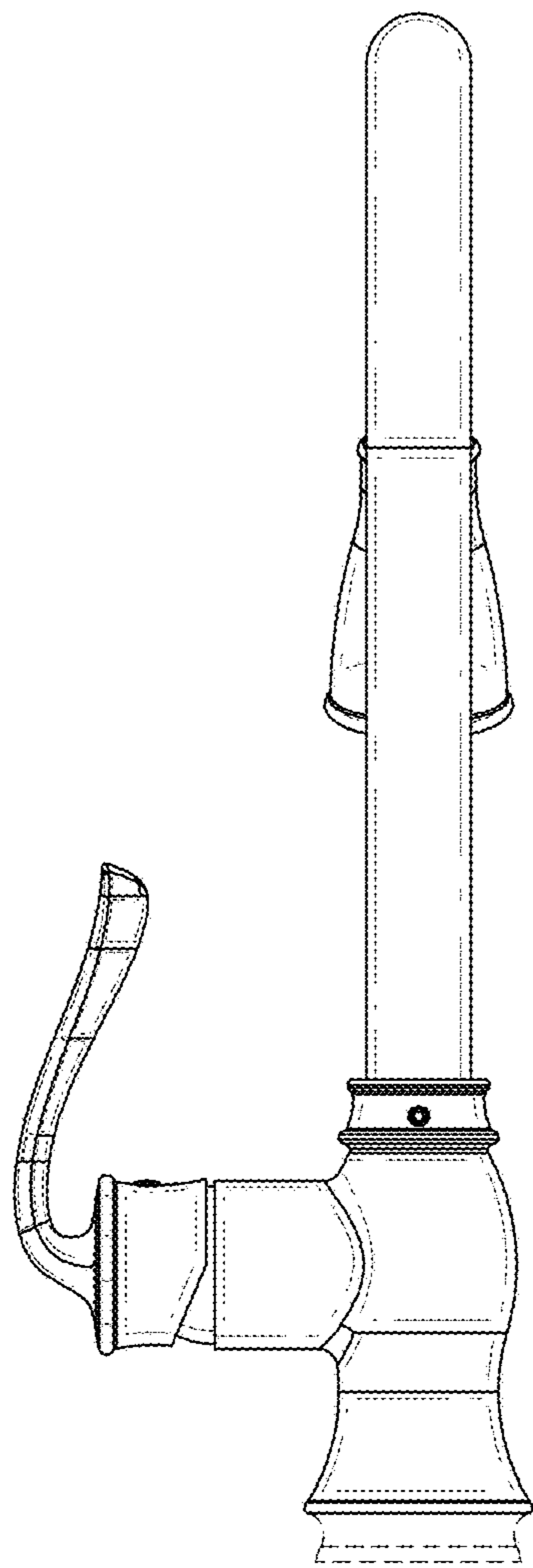


FIG. 4

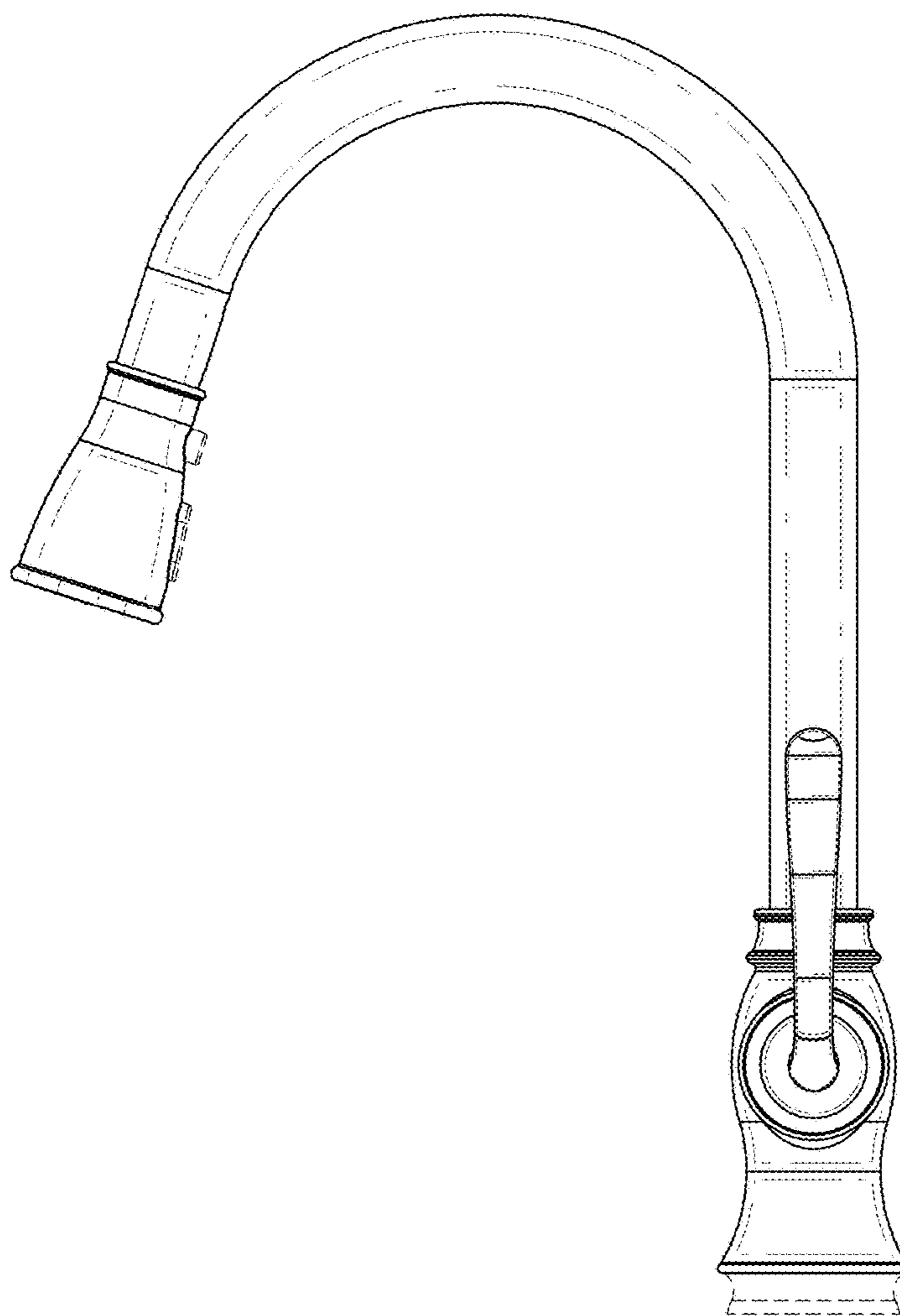


FIG. 5

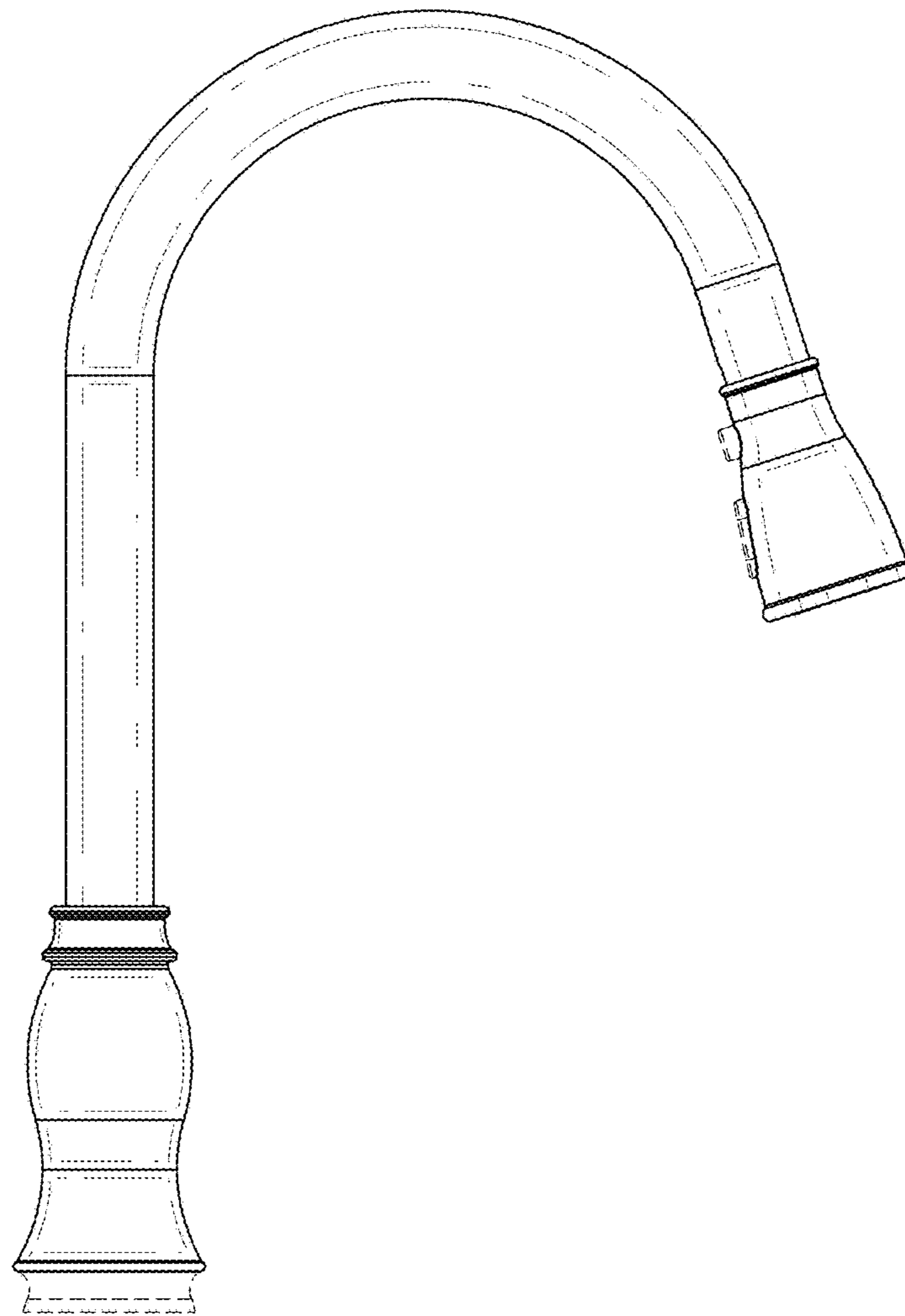


FIG. 6

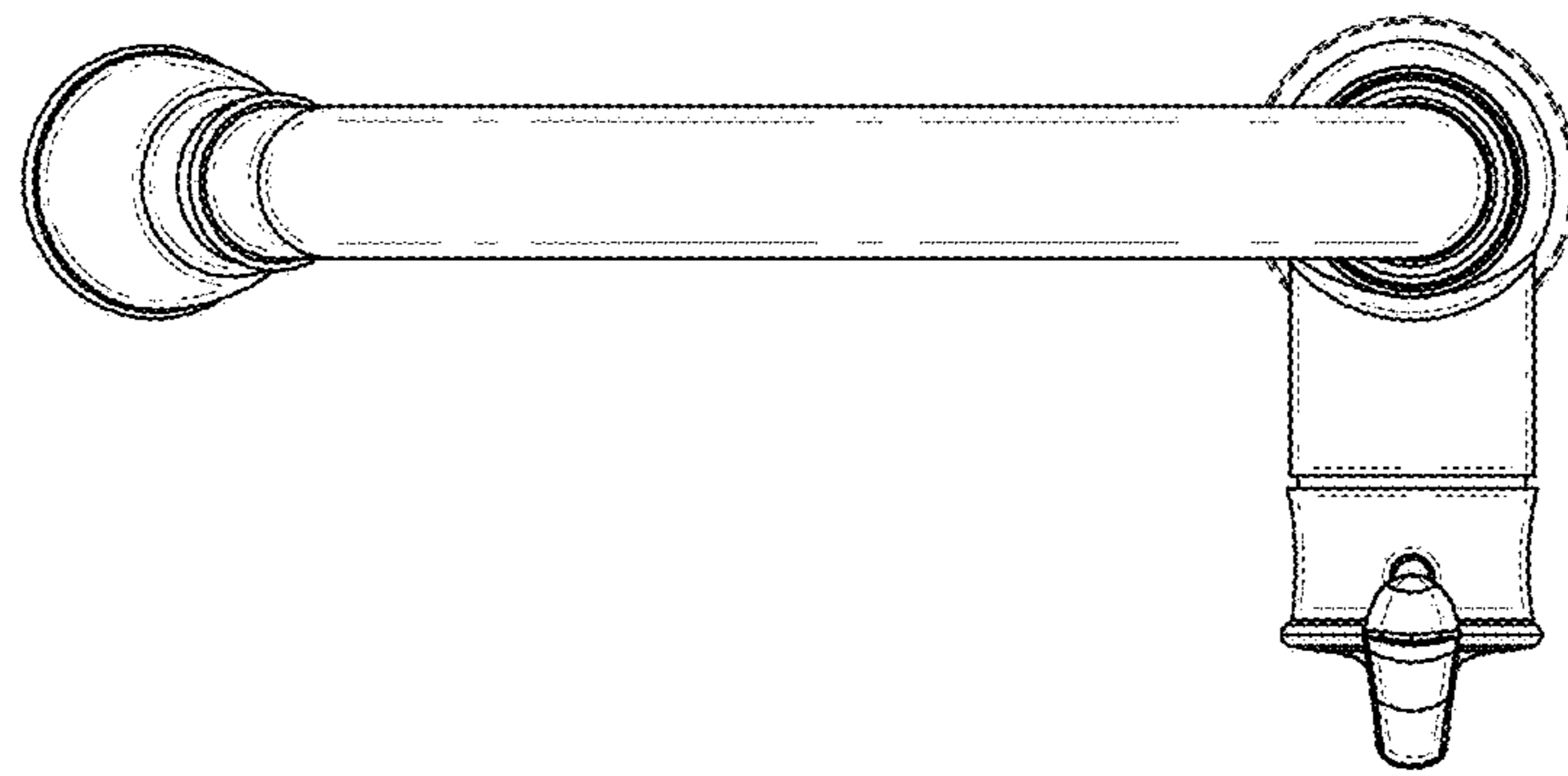


FIG. 7

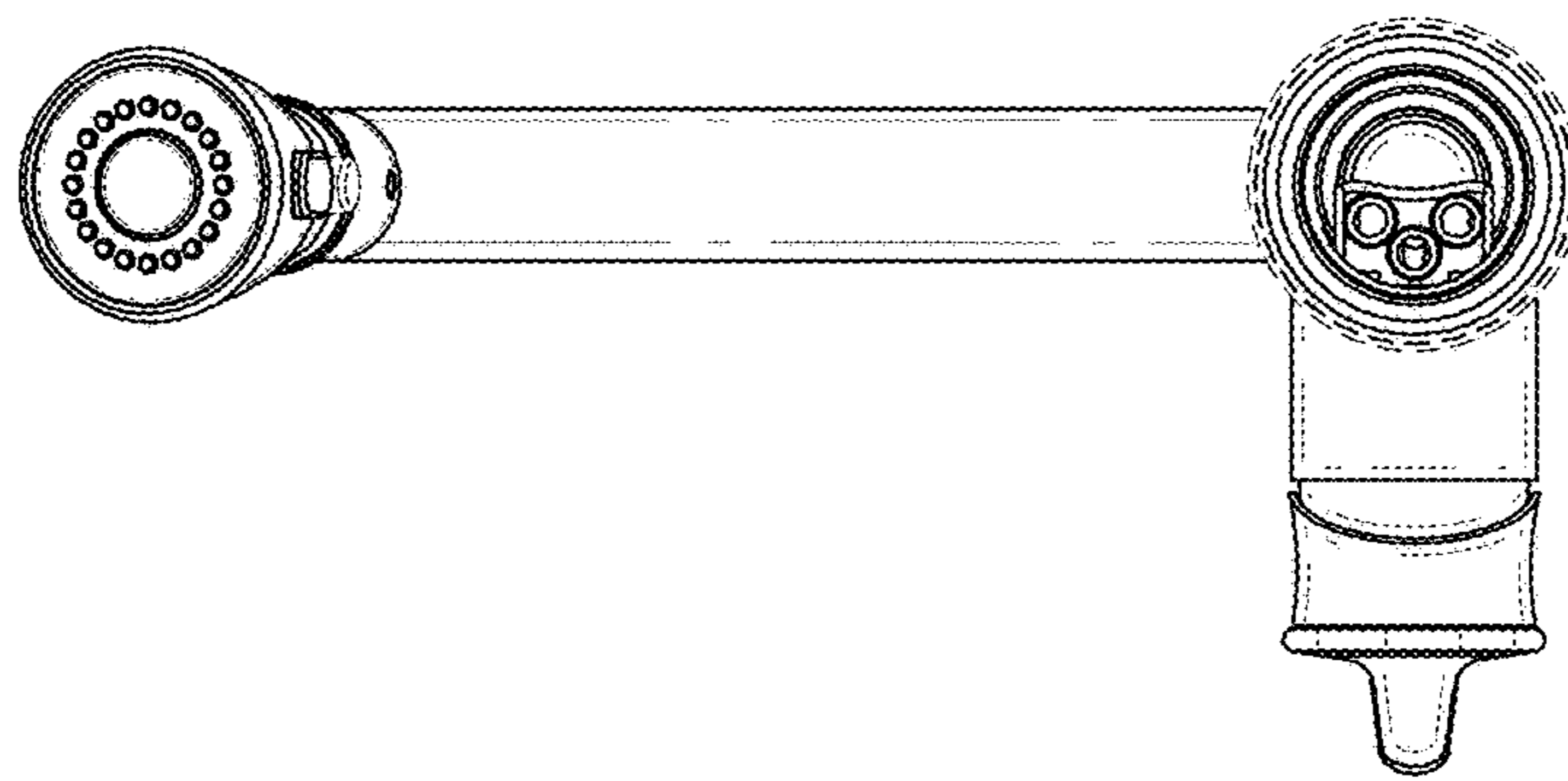


FIG. 8