

US00D847950S

(12) **United States Design Patent**
Zhang

(10) **Patent No.:** **US D847,950 S**

(45) **Date of Patent:** **** May 7, 2019**

(54) **FAUCET**

(71) Applicant: **Xinrui Zhang**, Kaiping (CN)

(72) Inventor: **Xinrui Zhang**, Kaiping (CN)

(**) Term: **15 Years**

(21) Appl. No.: **29/671,104**

(22) Filed: **Nov. 22, 2018**

(51) **LOC (11) Cl.** **23-01**

(52) **U.S. Cl.**
USPC **D23/238**

(58) **Field of Classification Search**
USPC D23/238–243, 249–250, 252, 254–255,
D23/257, 213, 223, 226, 229; D8/300,
D8/307–308
CPC ... Y10T 137/9464; E03C 1/04; E03C 1/0401;
E03C 1/0402; E03C 1/0404; E03C
1/0405; E03C 1/0412; E03C 1/0413;
E03C 1/0409; E03C 1/042
See application file for complete search history.

(56) **References Cited**

U.S. PATENT DOCUMENTS

D571,438 S *	6/2008	Gilbert	D23/249
D583,015 S *	12/2008	Soriano	D23/249
D599,442 S *	9/2009	Fakonas	D23/252
D606,170 S *	12/2009	Lammel	D23/252
7,753,079 B2 *	7/2010	Nelson	E03C 1/0404 137/801
D655,790 S *	3/2012	Kwok	D23/252
D703,790 S *	4/2014	Mazz	D23/238

D825,720 S *	8/2018	Zeng	D23/238
D835,237 S *	12/2018	Ziemann	D23/238
2004/0112985 A1 *	6/2004	Malek	E03C 1/04 239/445

* cited by examiner

Primary Examiner — Robert A Delehanty

(74) *Attorney, Agent, or Firm* — Wayne V. Harper

(57) **CLAIM**

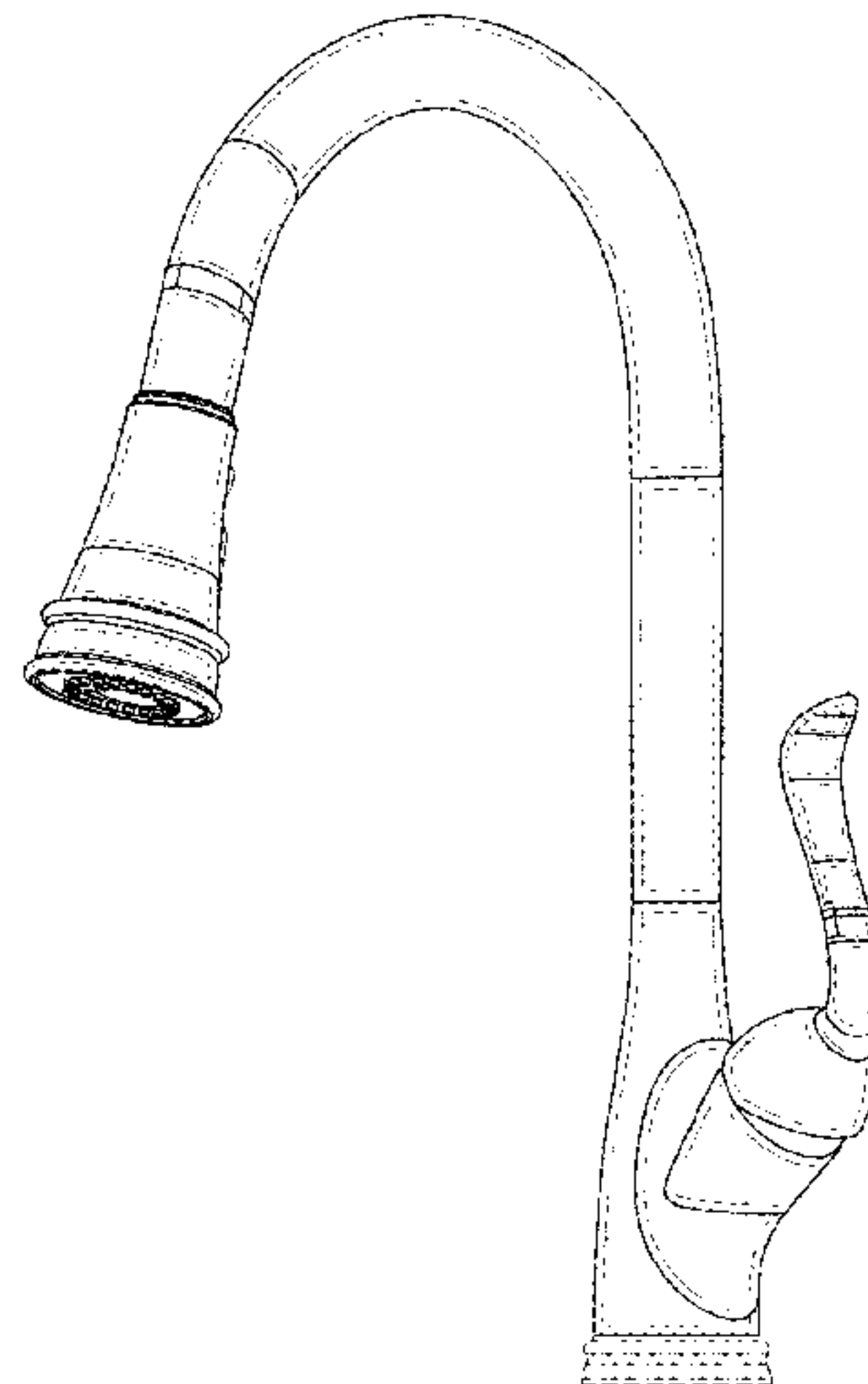
I claim the ornamental design for a faucet, as shown and described.

DESCRIPTION

FIG. 1 is a perspective view of a faucet showing my new design;
 FIG. 2 is back perspective view of the faucet as shown in FIG. 1;
 FIG. 3 is a left-side view of the faucet as shown in FIG. 1;
 FIG. 4 is a right-side view of the faucet as shown in FIG. 1;
 FIG. 5 is a front-side view of the faucet as shown in FIG. 1;
 FIG. 6 is a back-side view of the faucet as shown in FIG. 1;
 FIG. 7 is a top-side view of the faucet as shown in FIG. 1;
 and,
 FIG. 8 is a bottom-side view of the faucet as shown in FIG. 1.

The broken lines are only for environmental purposes and form no part of the claimed design. No particular colour scheme forms part of the claimed design.

1 Claim, 7 Drawing Sheets



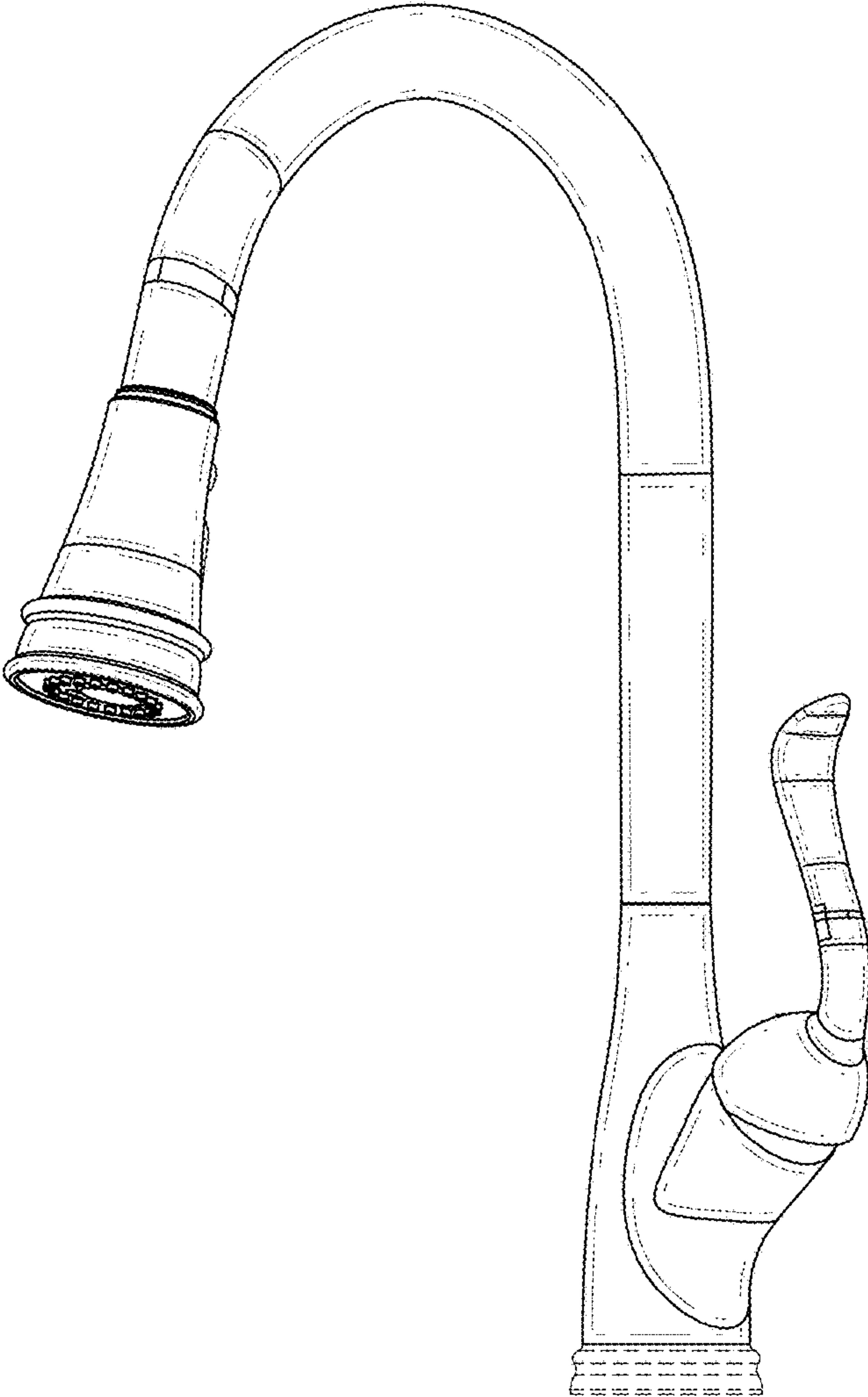


FIG. 1

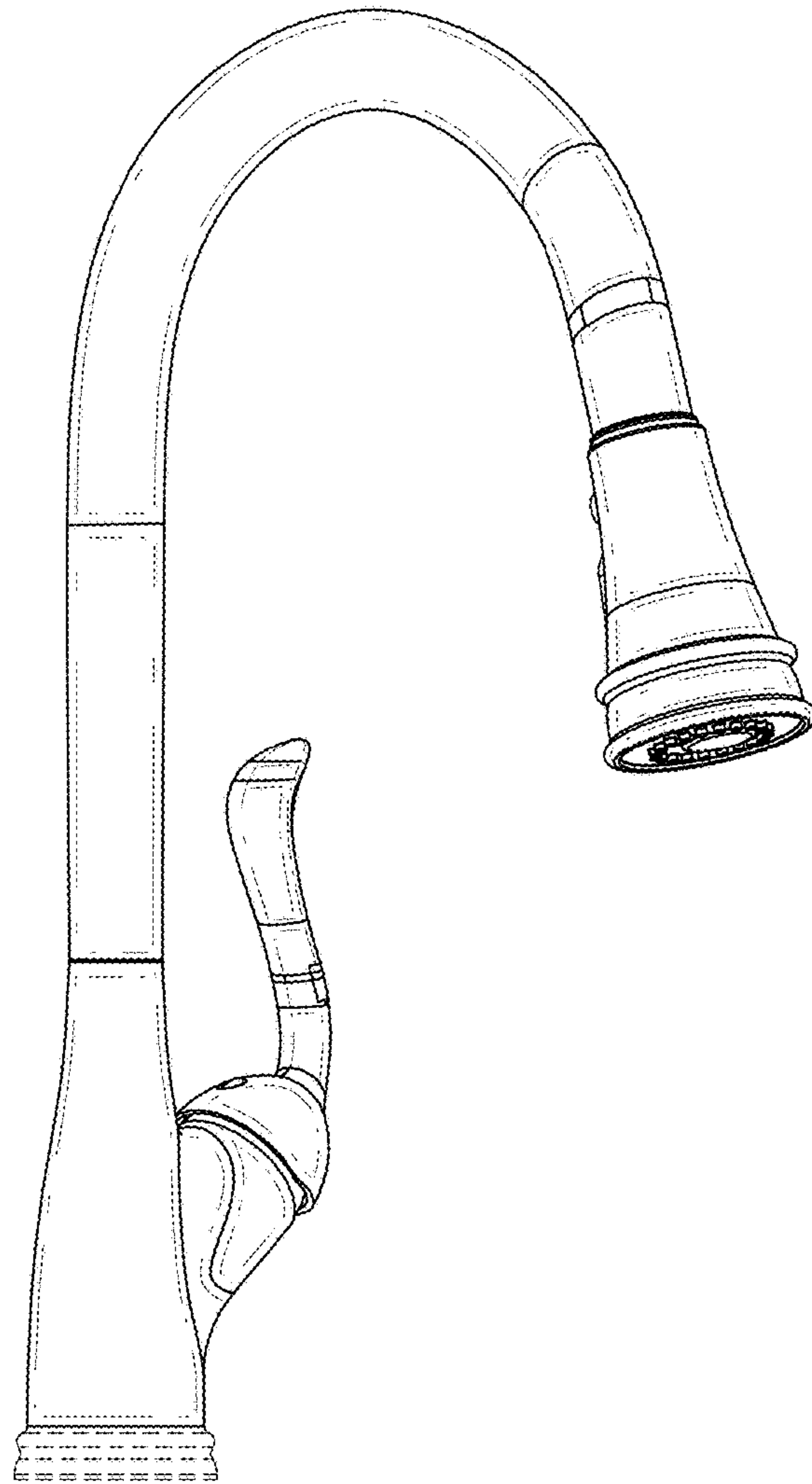


FIG. 2

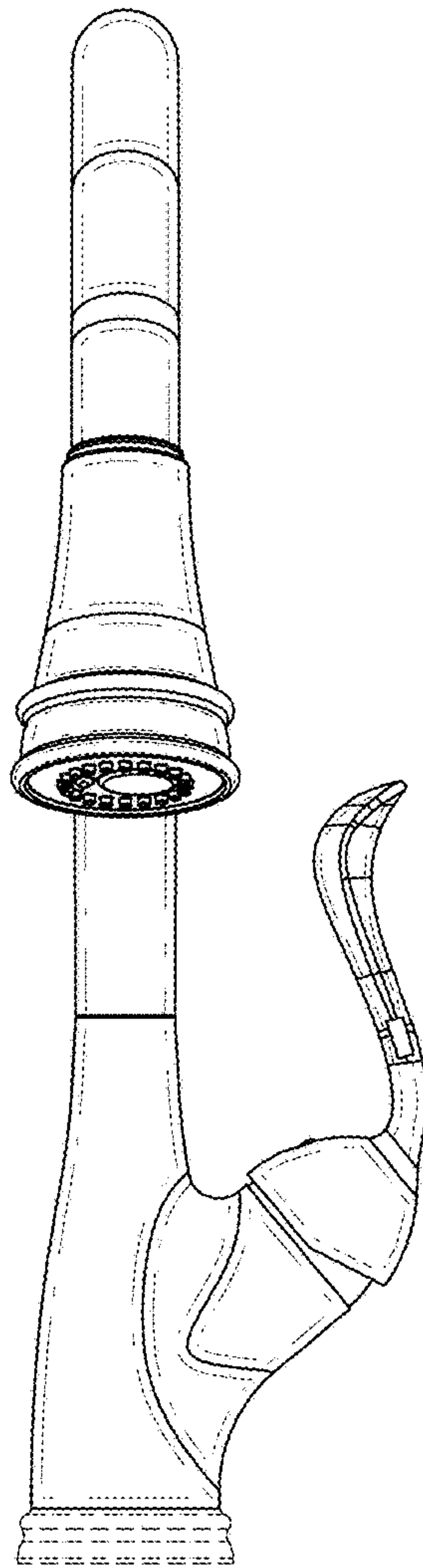


FIG. 3

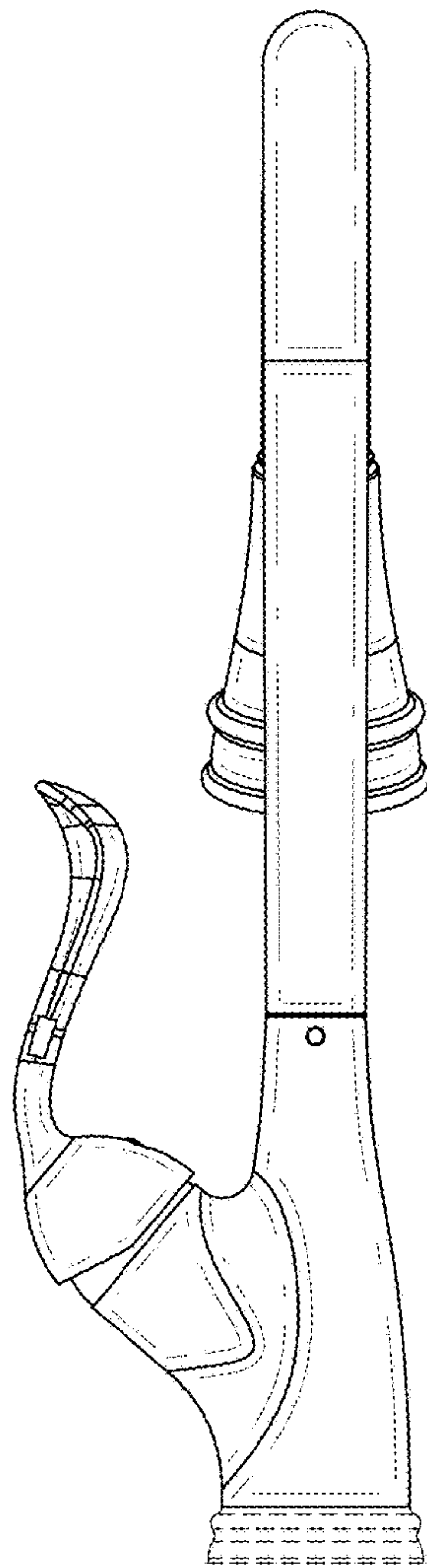


FIG. 4

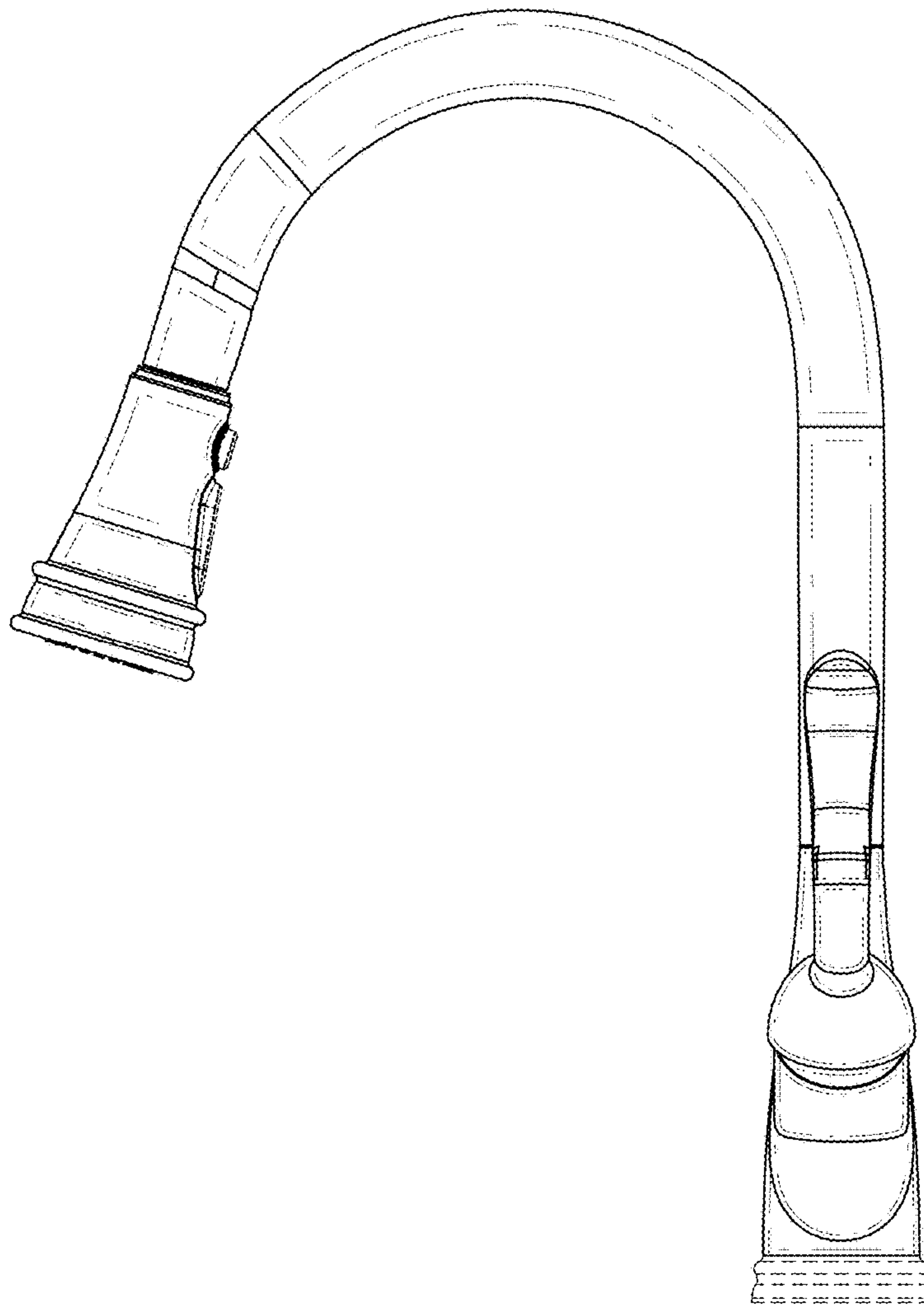


FIG. 5

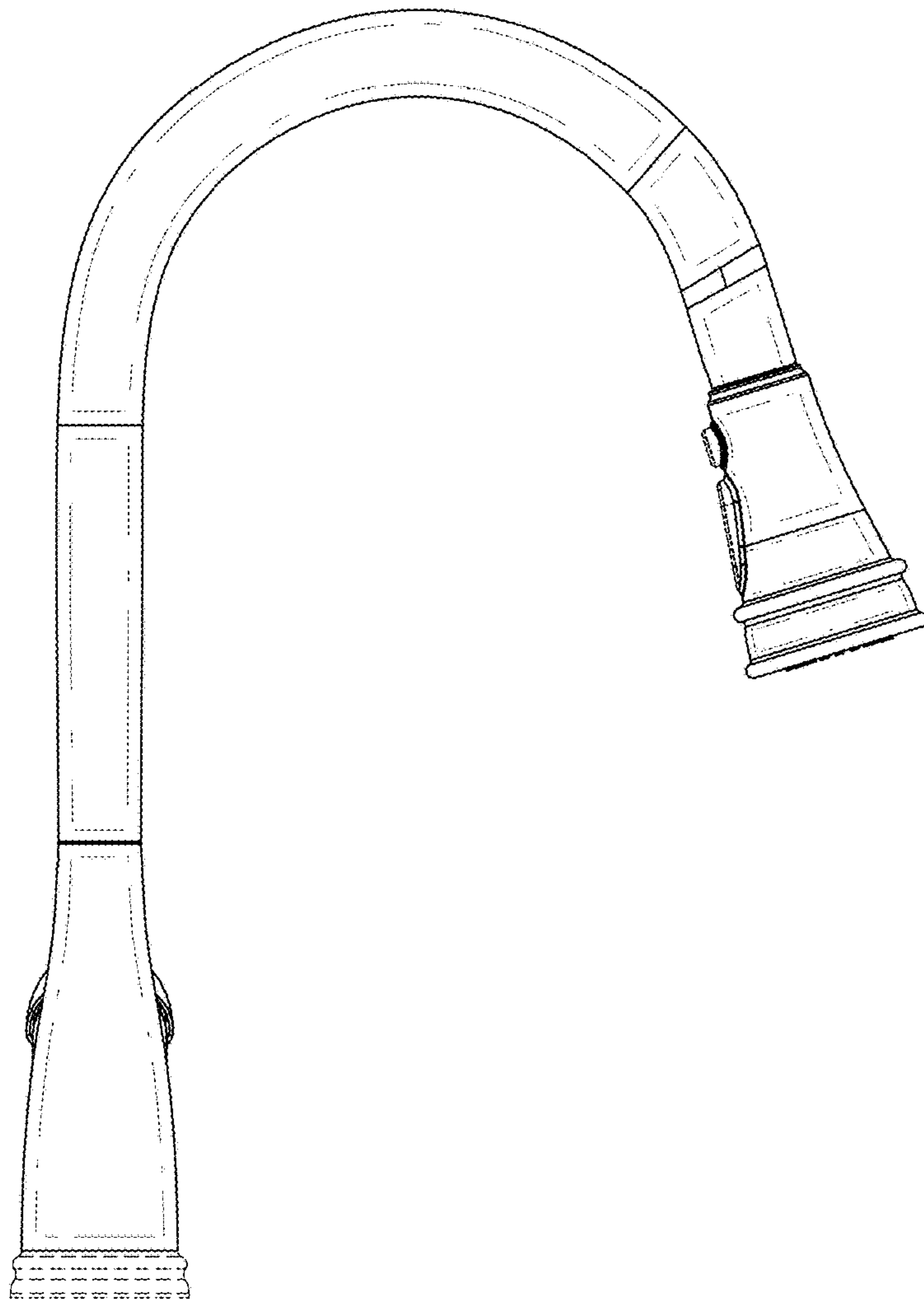


FIG. 6

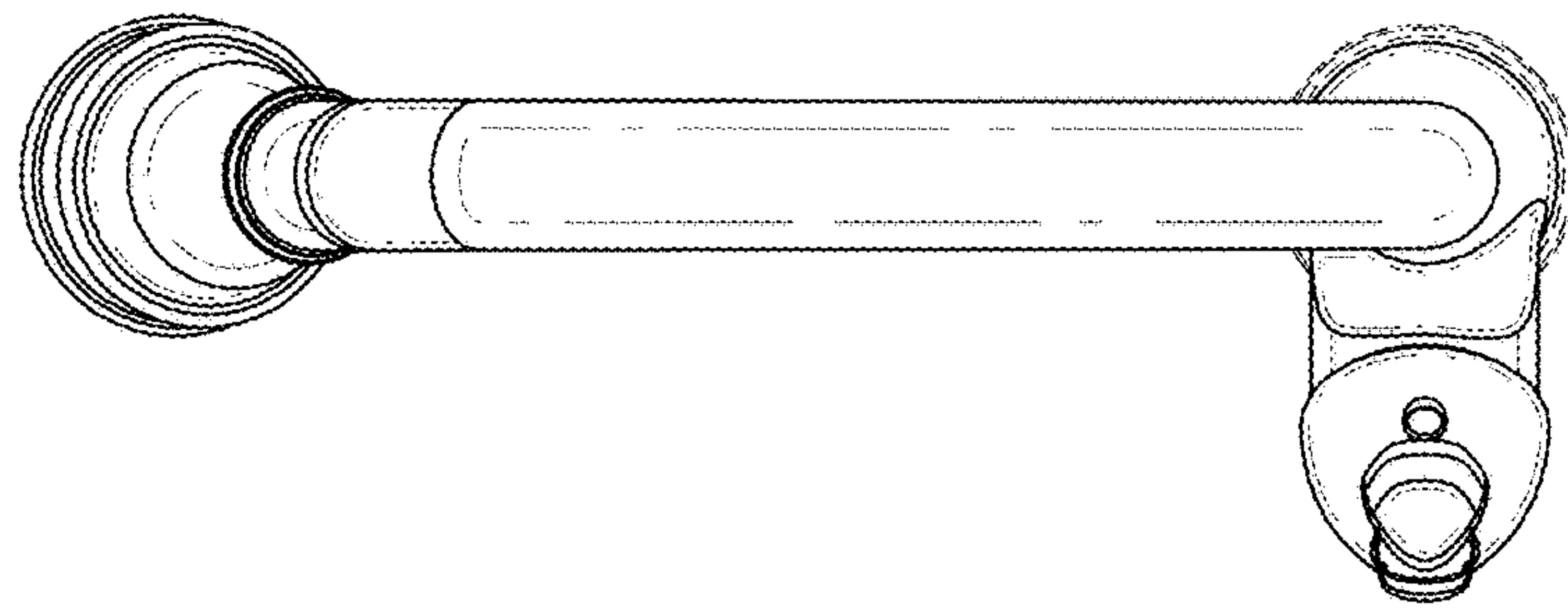


FIG. 7

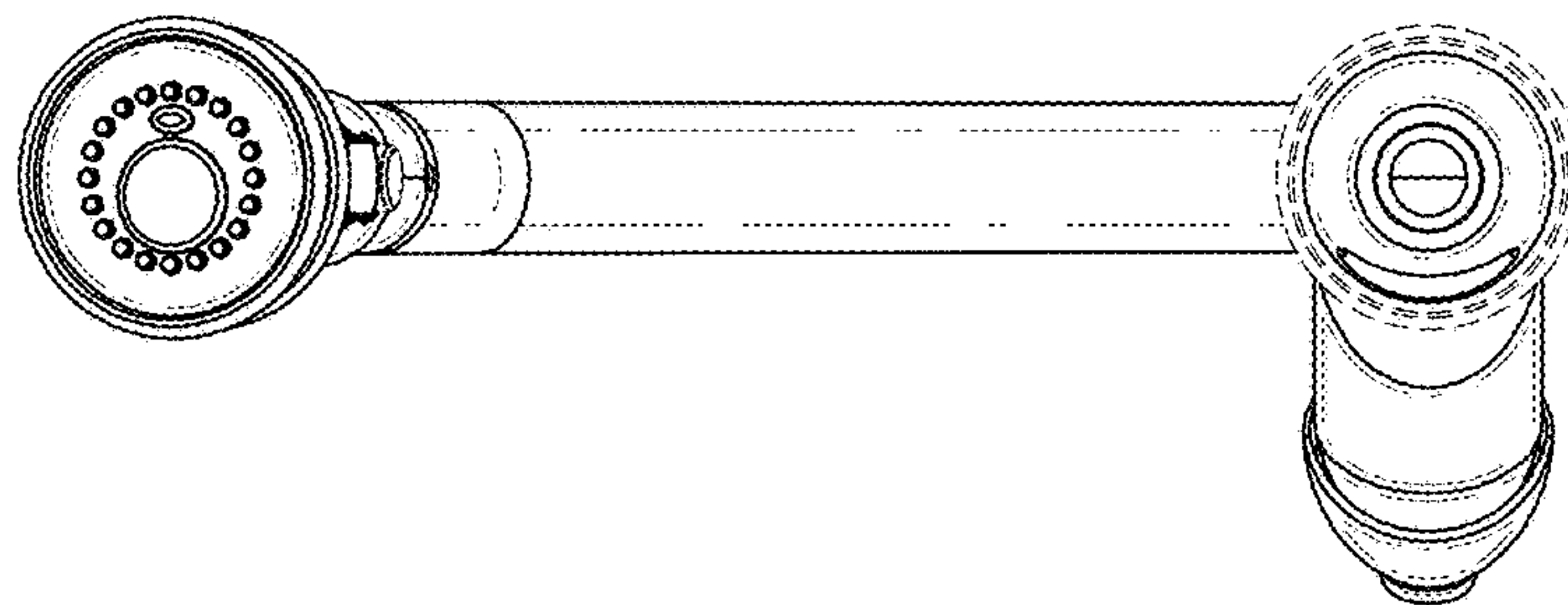


FIG. 8