



US00D847948S

(12) **United States Design Patent**
Goerdt et al.

(10) **Patent No.:** **US D847,948 S**

(45) **Date of Patent:** **** May 7, 2019**

- (54) **FIRE HYDRANT SHAPED LAWN SPRINKLER**
- (71) Applicant: **TALLGRASS, LLC**, Manchester, IA (US)
- (72) Inventors: **Leon Anthony Goerdt**, Manchester, IA (US); **Jennifer Lynn Goerdt**, Cedar Rapids, IA (US); **Jesse James Hahn**, Cedar Rapids, IA (US)

D480,243 S *	10/2003	Edwards	D23/234
D484,570 S *	12/2003	De Winter	D23/215
7,658,166 B1	2/2010	Rheinschmidt et al.	
D631,134 S *	1/2011	German	D23/234
7,913,653 B2	3/2011	Jordan	
8,136,484 B2	3/2012	Jordan	
D711,507 S *	8/2014	Smith	D23/215
9,253,376 B2	2/2016	Boyle et al.	
D801,476 S *	10/2017	Lin	D23/215

* cited by examiner

Primary Examiner — Robin V Webster

(74) *Attorney, Agent, or Firm* — Simmons Perrine Moyer Bergman PLC

- (73) Assignee: **TallGrass, LLC**, Manchester, IA (US)
- (**) Term: **15 Years**

- (21) Appl. No.: **29/622,775**
- (22) Filed: **Oct. 19, 2017**
- (51) **LOC (11) Cl.** **23-01**
- (52) **U.S. Cl.**
USPC **D23/215**
- (58) **Field of Classification Search**
USPC D23/213, 214, 215, 216, 234; 239/240, 239/242, 276, 211; 446/483
CPC A01G 15/00; B05B 3/0463; B05B 1/16; B05B 3/0431; B05B 3/0445; B05B 15/70
See application file for complete search history.

(57) **CLAIM**

The ornamental design for a fire hydrant shaped lawn sprinkler, as shown and described.

DESCRIPTION

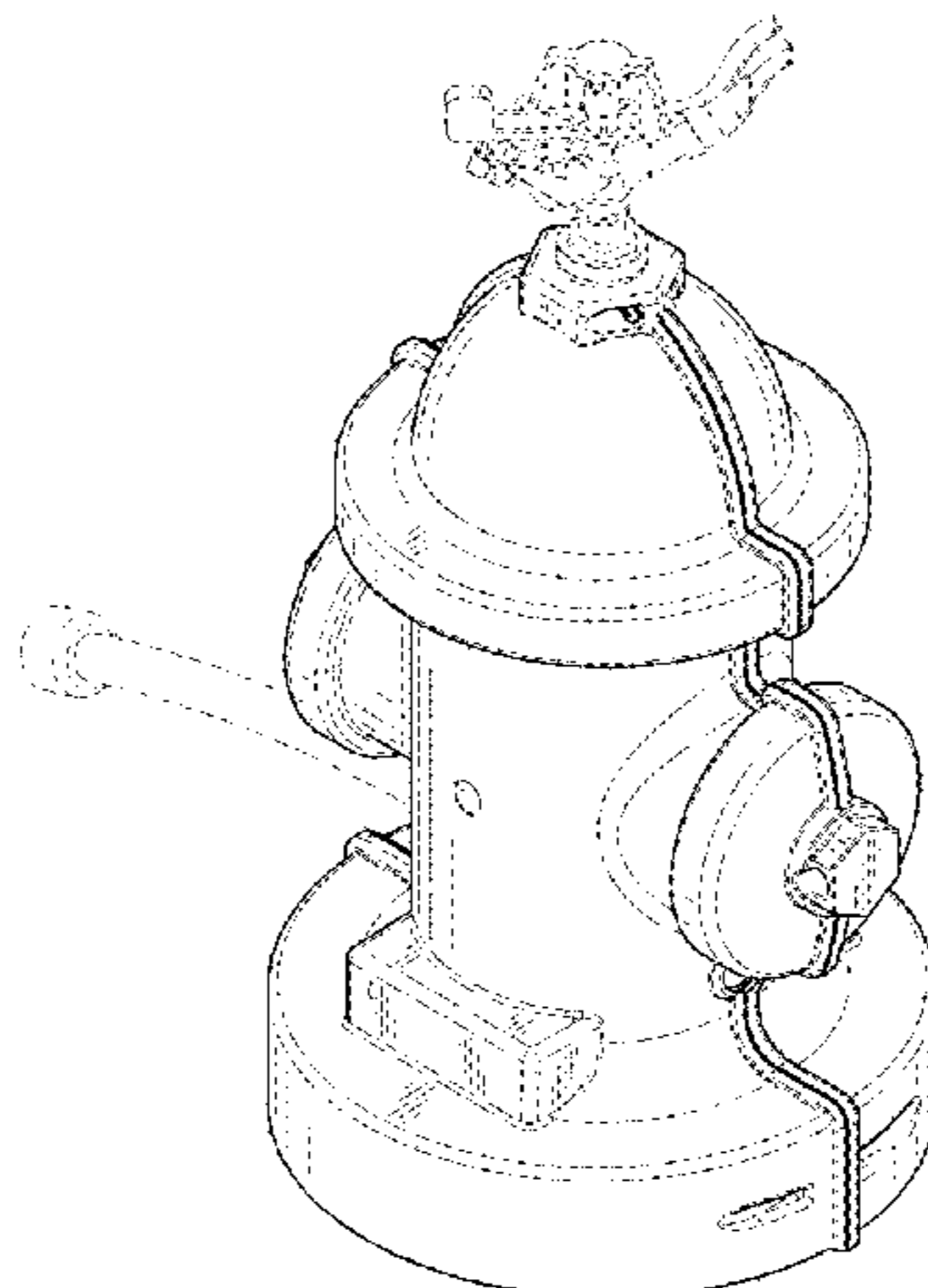
FIG. 1 is a perspective view of the fire hydrant shaped lawn sprinkler showing our new design.
 FIG. 2 is a first side view of the fire hydrant shaped lawn sprinkler showing our new design.
 FIG. 3 is a second side view of the fire hydrant shaped lawn sprinkler showing our new design.
 FIG. 4 is a back view of the fire hydrant shaped lawn sprinkler showing our new design.
 FIG. 5 is a front view of the fire hydrant shaped lawn sprinkler showing our new design.
 FIG. 6 is a top view of the fire hydrant shaped lawn sprinkler showing our new design; and,
 FIG. 7 is a bottom view of the fire hydrant shaped lawn sprinkler showing our new design.
 The broken line showing of portions of the sprinkler is included for the purpose of illustrating and forms no part of the claimed design.

(56) **References Cited**

U.S. PATENT DOCUMENTS

D86,576 S *	3/1932	Lolley	D23/234
4,550,876 A *	11/1985	Kulesza	A63H 33/28 239/211
D282,109 S *	1/1986	Golden	D23/234
D307,402 S *	4/1990	Rouse, Jr.	D11/157
D314,227 S *	1/1991	Christ	D23/215
5,111,993 A	5/1992	Baker	
D328,620 S *	8/1992	Maple	D21/483
D386,254 S *	11/1997	Lung-Ruey	D23/215
D399,915 S *	10/1998	McEachen	D23/214

1 Claim, 7 Drawing Sheets



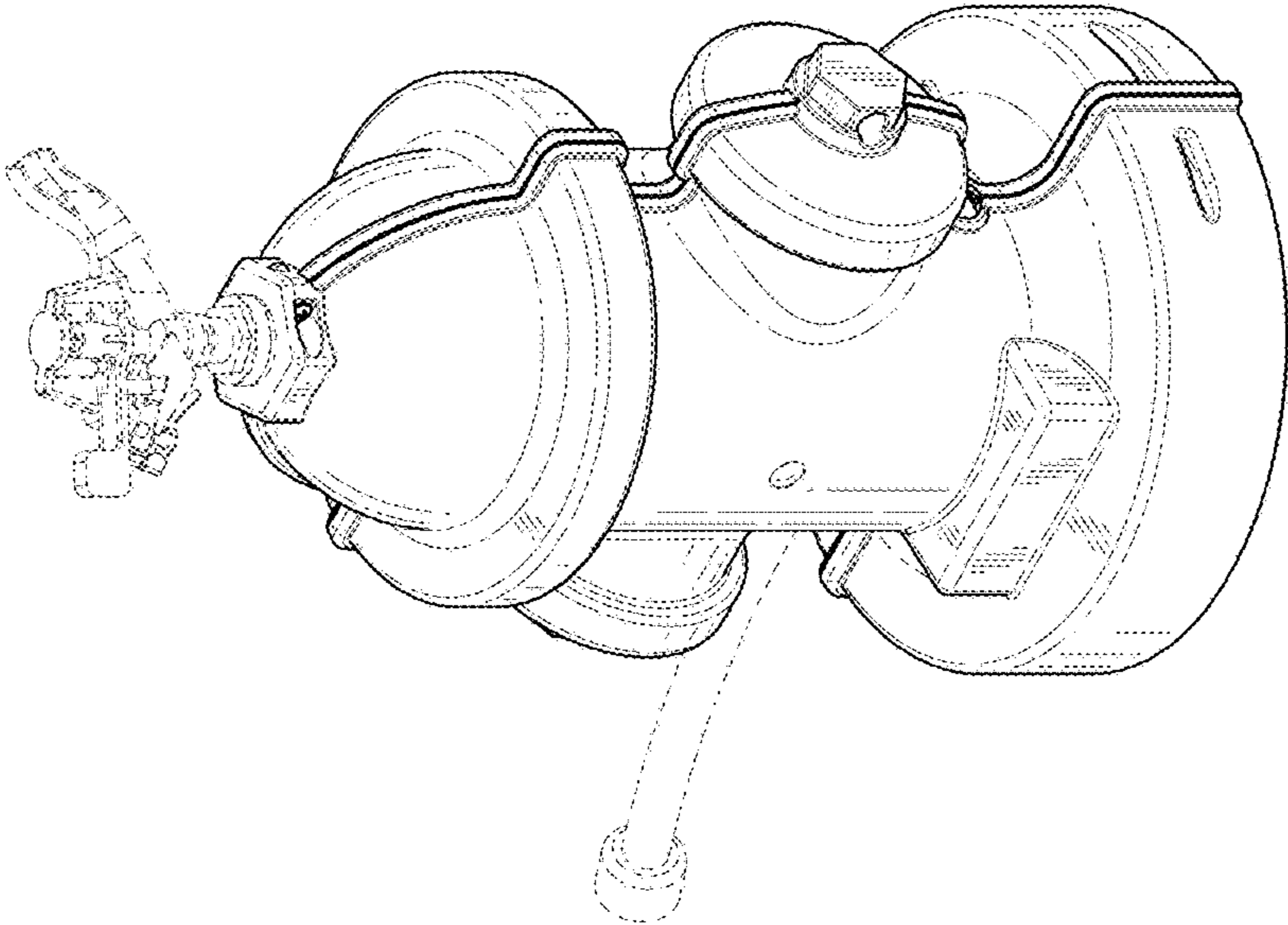


FIG. 1

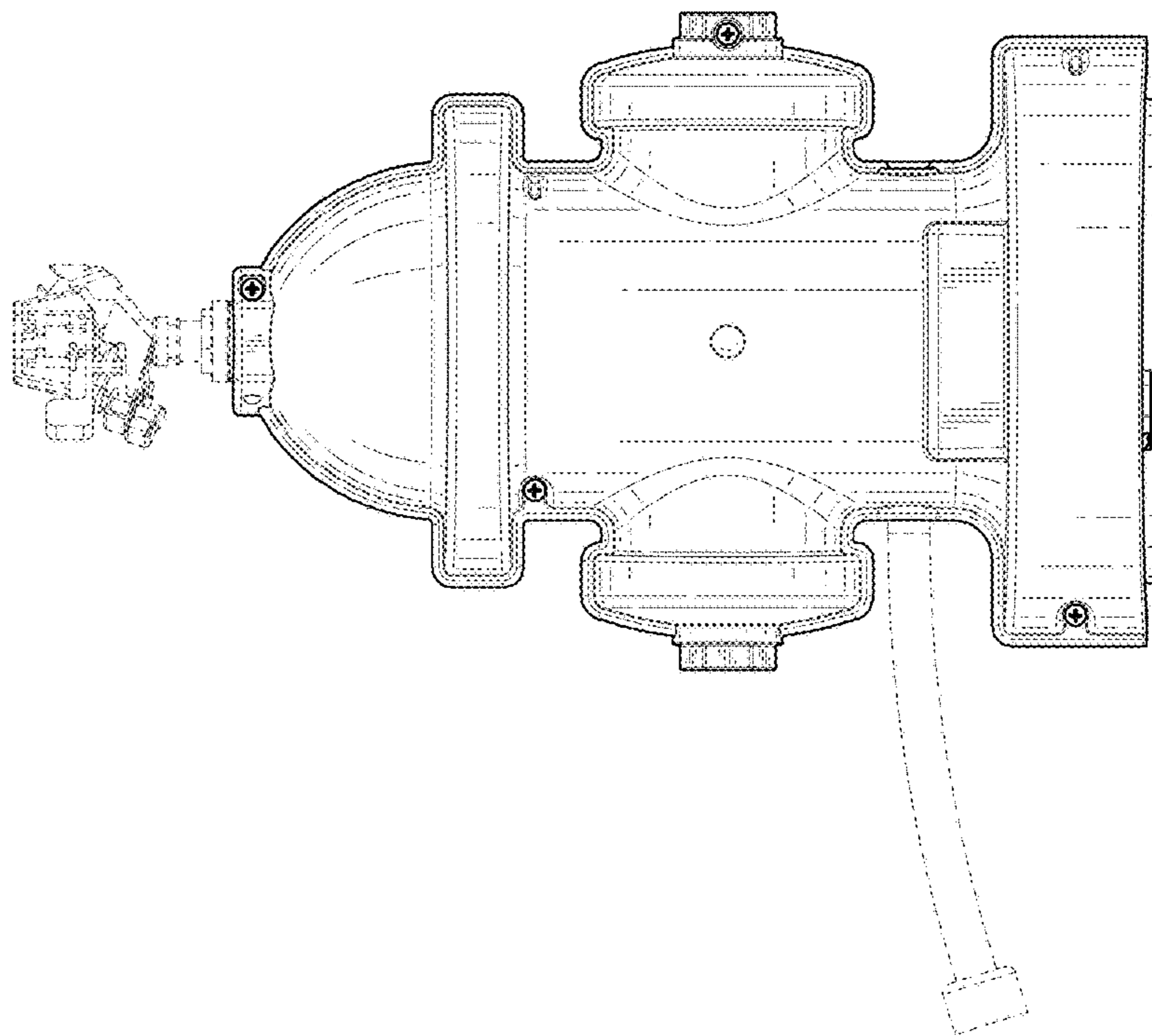


FIG. 2

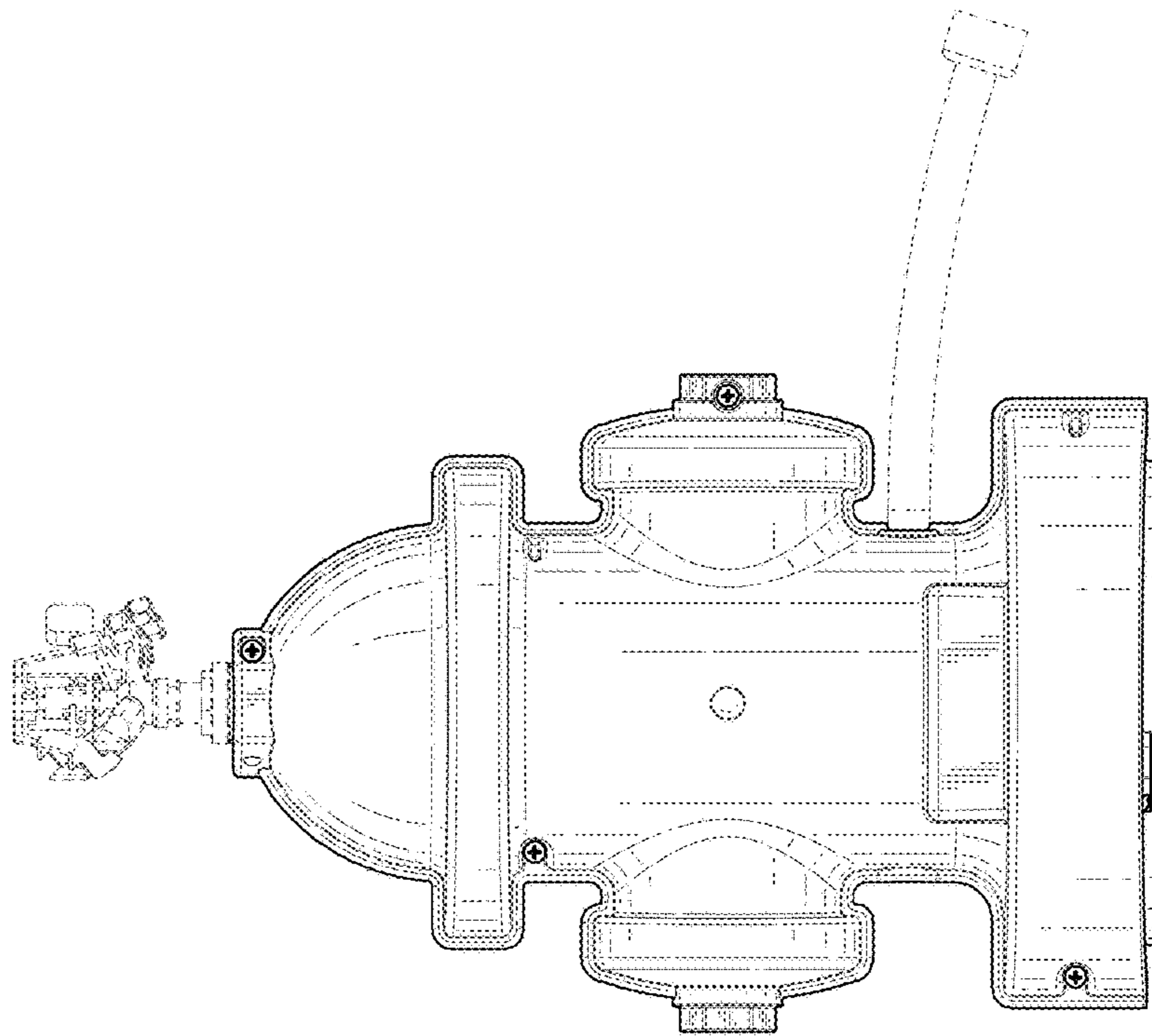


FIG. 3

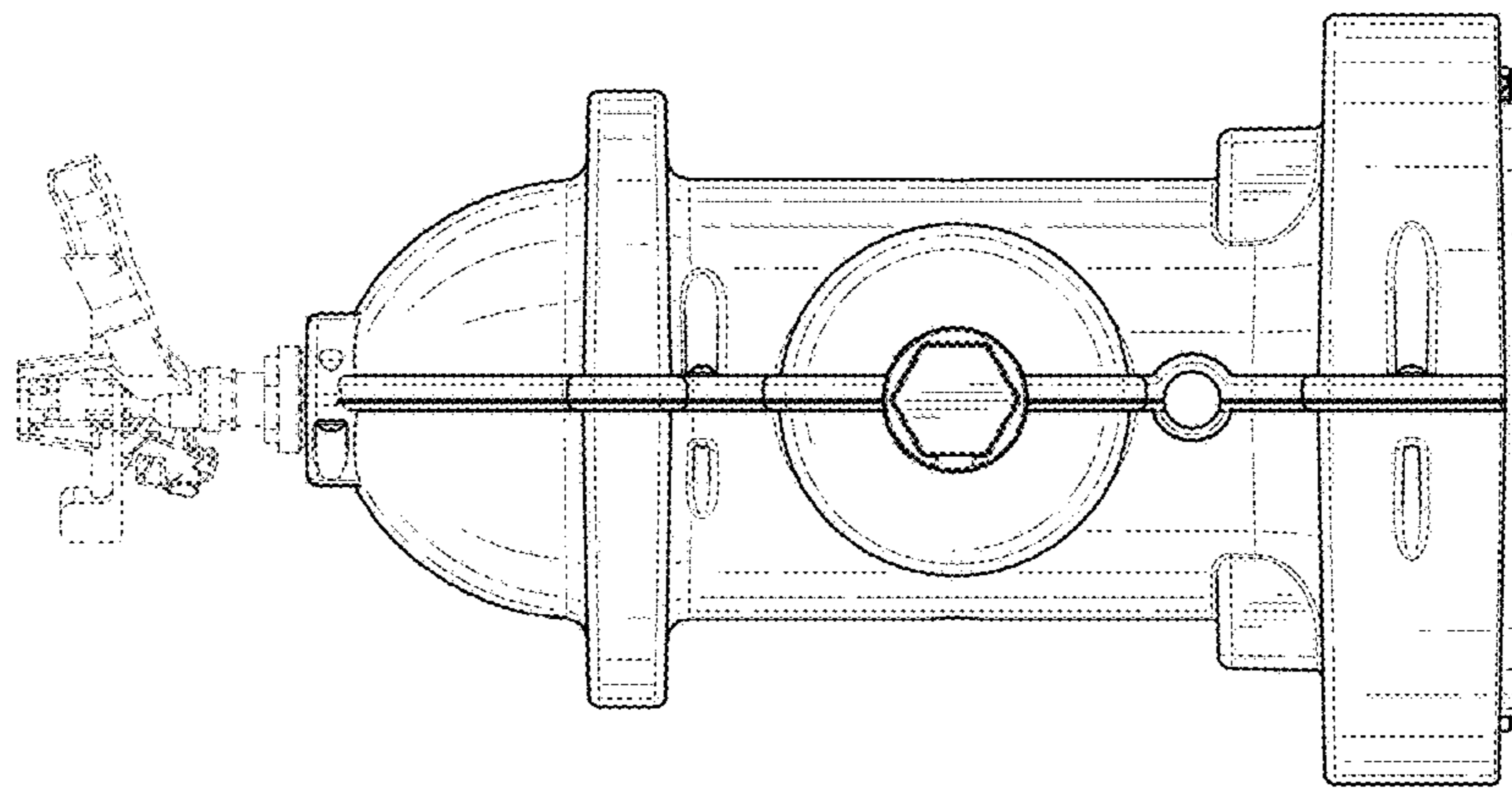


FIG. 4

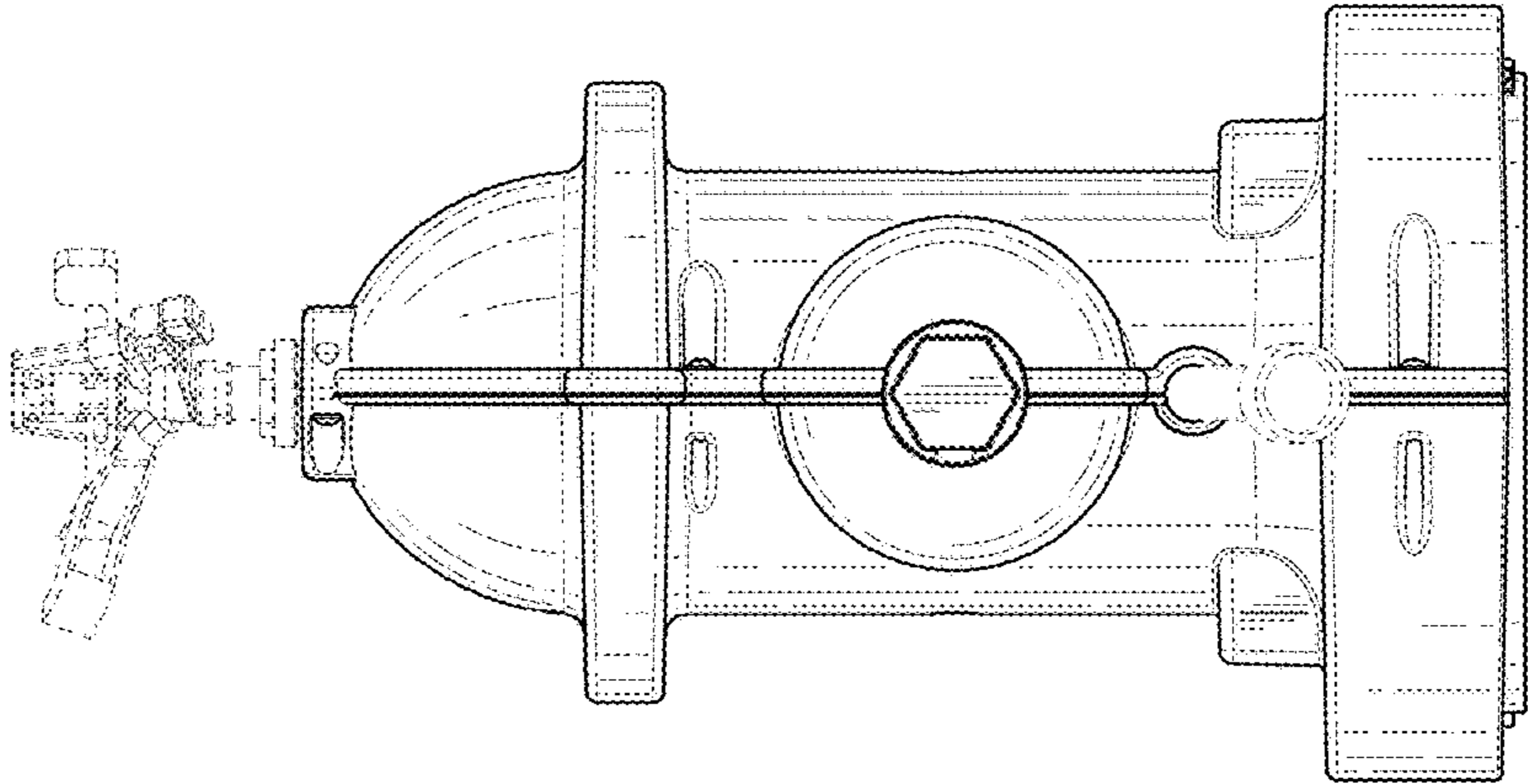


FIG. 5

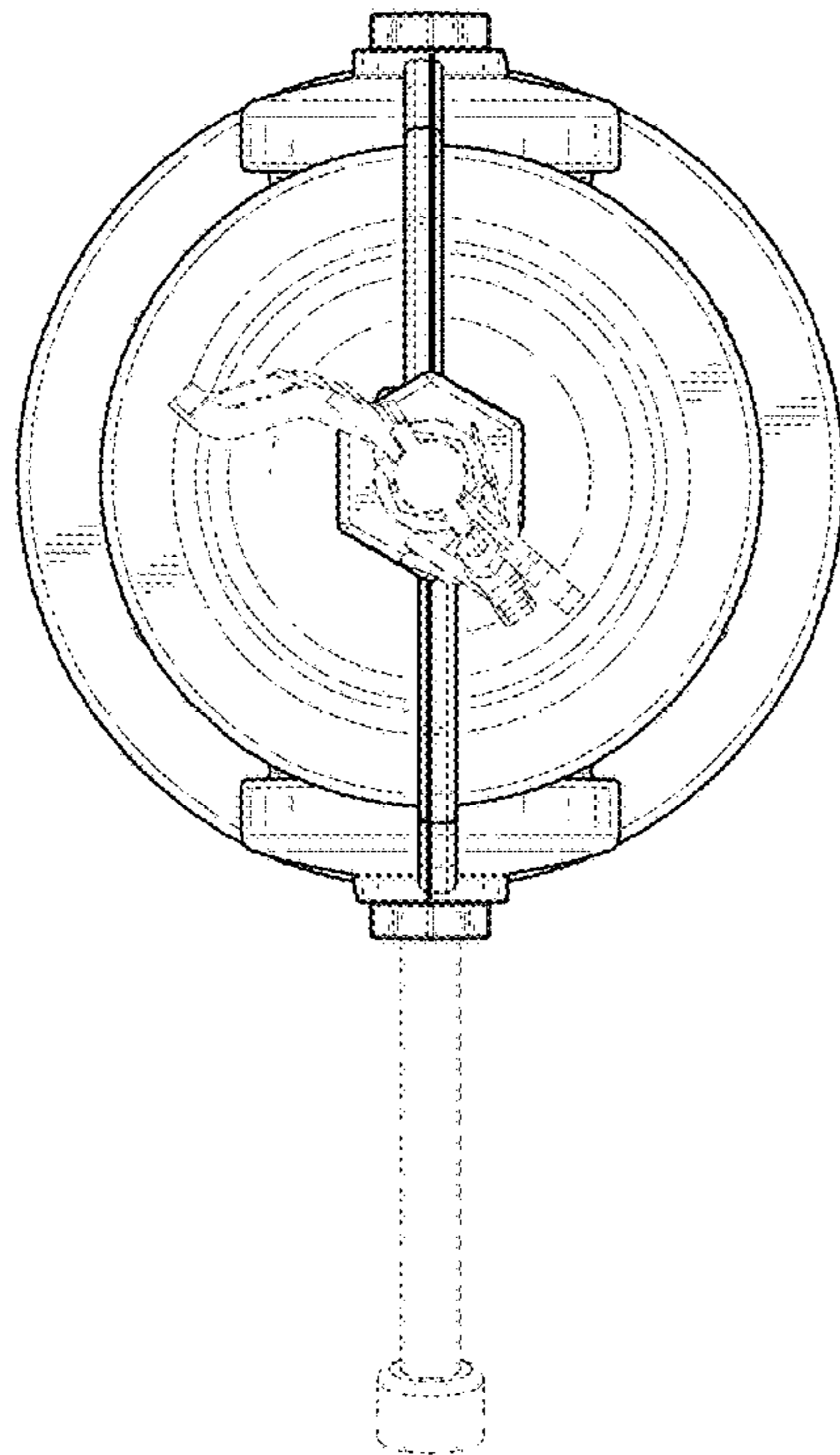


FIG. 6

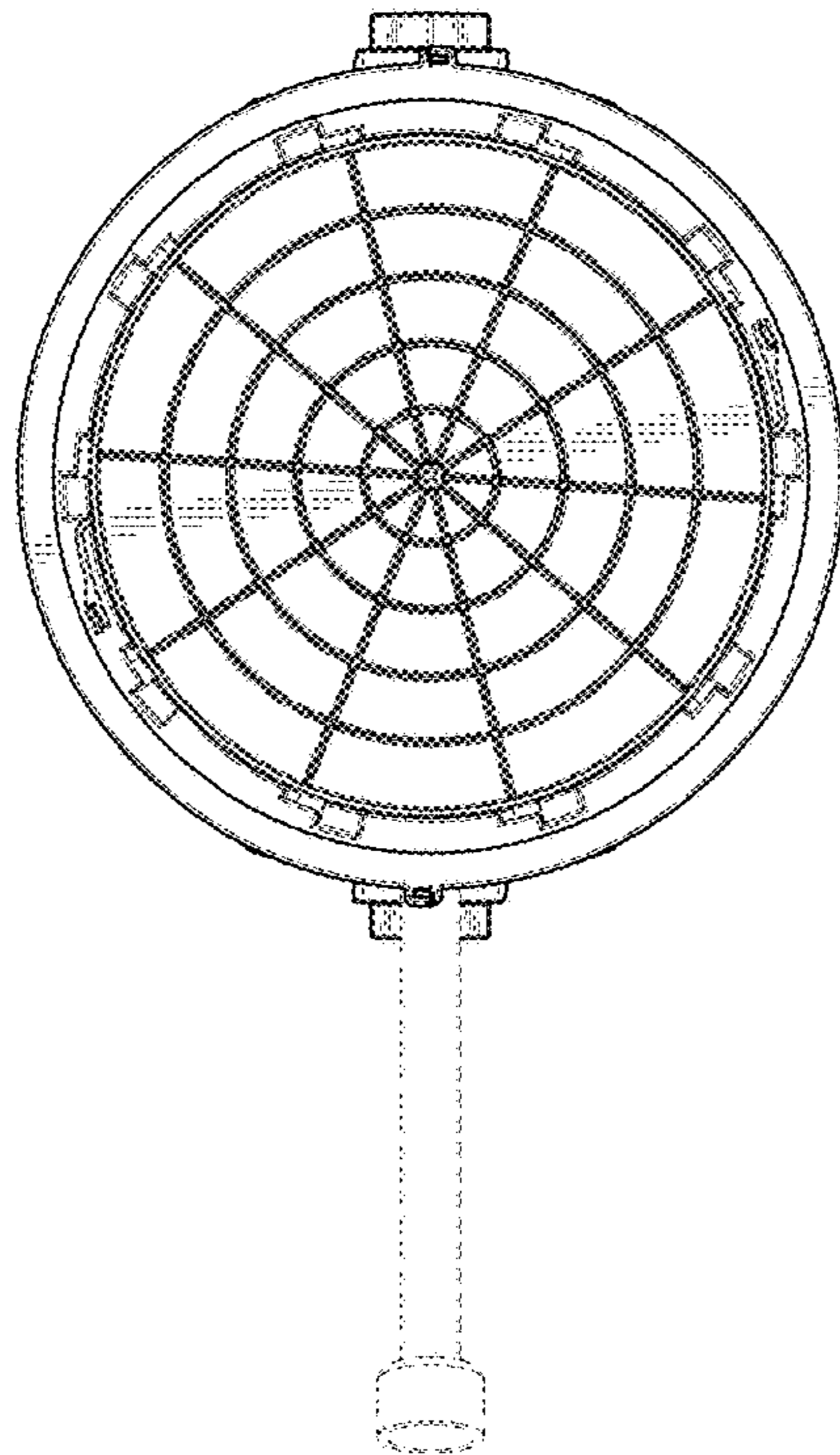


FIG. 7