



US00D847947S

(12) **United States Design Patent** (10) **Patent No.:** **US D847,947 S**
Liu (45) **Date of Patent:** **** May 7, 2019**

(54) **MULTIFUNCTION INFRARED SENSOR FOR SPRINKLER**

(71) Applicant: **Yu-Chen Liu**, Guangdong (CN)

(72) Inventor: **Yu-Chen Liu**, Guangdong (CN)

(73) Assignee: **Handle Tech (SZ) Co., Ltd.**, Shenzhen (CN)

(**) Term: **15 Years**

(21) Appl. No.: **29/632,790**

(22) Filed: **Jan. 10, 2018**

(30) **Foreign Application Priority Data**

Sep. 29, 2017 (CN) 2017 3 0468382

(51) **LOC (11) Cl.** **23-01**

(52) **U.S. Cl.**
USPC **D23/214**

(58) **Field of Classification Search**
USPC D23/213, 214, 215, 216; 239/240, 242, 239/276

CPC A01G 15/00; A01G 25/00; A01G 25/02; B05B 3/0463; B05B 1/16; B05B 3/0431; B05B 3/0445; B05B 15/70

See application file for complete search history.

(56) **References Cited**

U.S. PATENT DOCUMENTS

D618,306 S * 6/2010 Burnworth D23/214
D620,550 S * 7/2010 Feith D23/214

* cited by examiner

Primary Examiner — Robin V Webster

(57) **CLAIM**

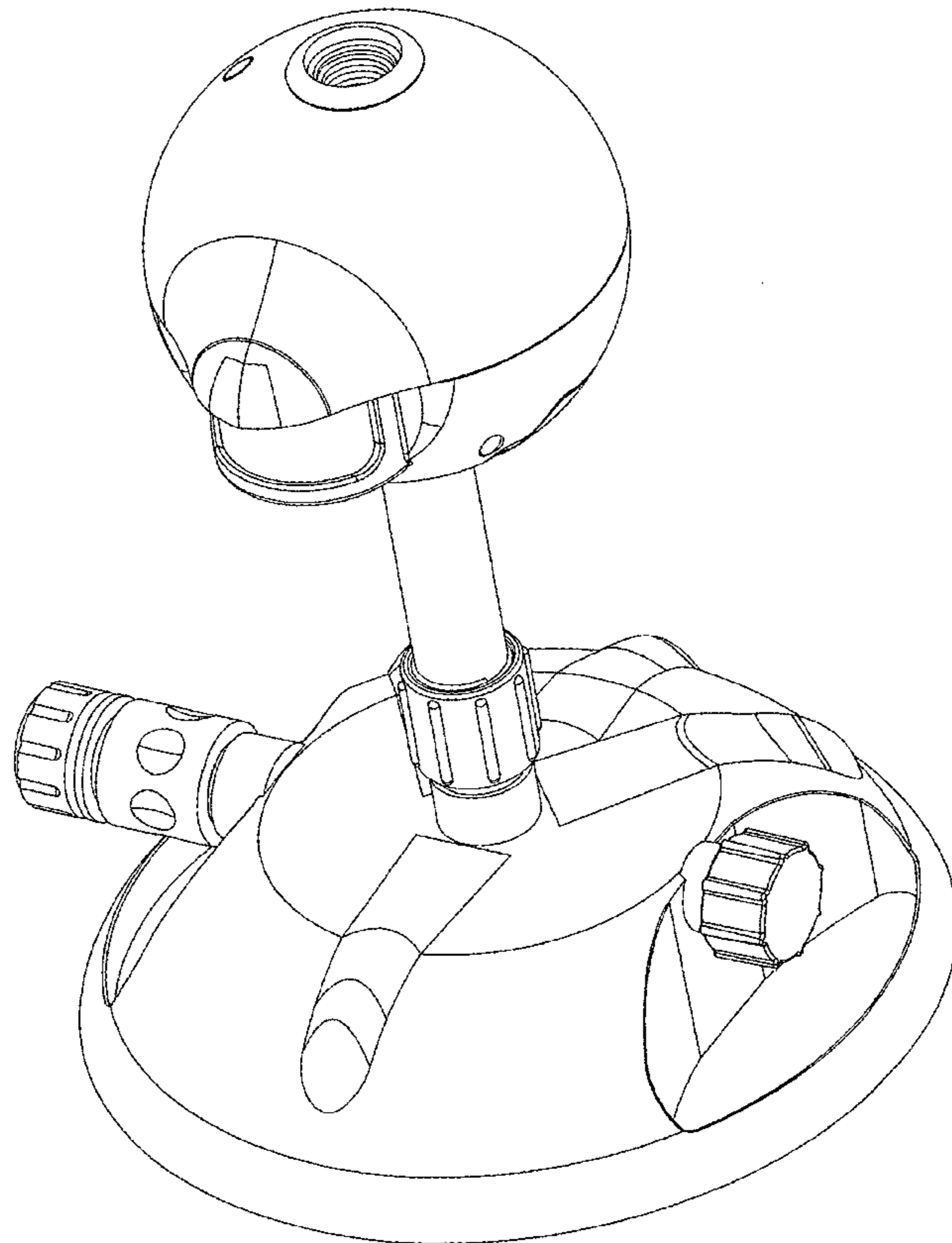
The ornamental design for a multifunction infrared sensor for sprinkler, as shown and described.

DESCRIPTION

FIG. 1 is a perspective view of a multifunction infrared sensor for sprinkler showing my new design; FIG. 2 is a front elevational view thereof; FIG. 3 is a rear elevational view thereof; FIG. 4 is a left side view thereof; FIG. 5 is a right side view thereof; FIG. 6 is a top plan view thereof; and, FIG. 7 is a bottom plan view thereof.

The broken lines in the drawings are for the purpose of illustrating unclaimed portions of the multifunction infrared sensor for sprinkler and form no part of the claimed design.

1 Claim, 7 Drawing Sheets



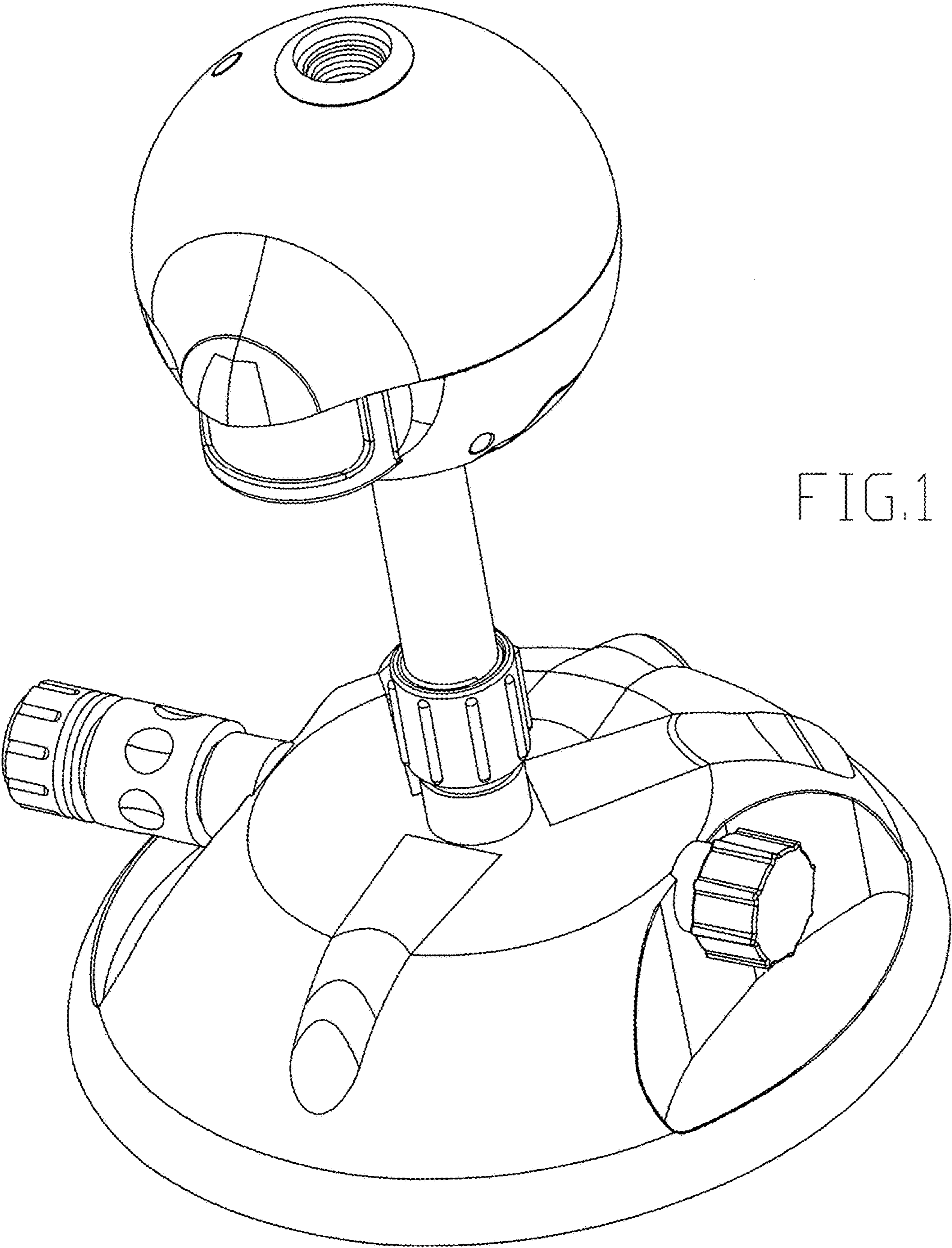


FIG. 1

