



US00D847945S

(12) **United States Design Patent** (10) **Patent No.:** **US D847,945 S**
Zhibin (45) **Date of Patent:** **** May 7, 2019**

(54) **FILTER CARTRIDGE**
(71) Applicant: **Hong Kong Ecoaqua Co., Limited,**
Hong Kong (CN)
(72) Inventor: **Zou Zhibin,** Qingdao (CN)
(73) Assignee: **HONG KONG ECOAQUA CO.,**
LIMITED, Hong Kong (CN)

D484,568 S 12/2003 Janik et al.
D487,497 S 3/2004 Ti
6,949,189 B2 9/2005 Bassett et al.
6,953,526 B1 10/2005 Fritze
D518,555 S * 4/2006 De Muro, Jr. D23/209
7,135,113 B2 11/2006 Bassett et al.
7,407,148 B2 8/2008 Bassett et al.
7,540,957 B1 6/2009 Kurth et al.
7,763,170 B2 7/2010 Bassett et al.
(Continued)

(**) Term: **15 Years**

FOREIGN PATENT DOCUMENTS

(21) Appl. No.: **29/618,350**

AU 2016204166 A1 12/2017
CN 1219441 A 6/1999

(22) Filed: **Sep. 20, 2017**

(Continued)

Related U.S. Application Data

(63) Continuation of application No. 29/564,270, filed on
May 11, 2016.

(51) **LOC (11) Cl.** **23-01**

(52) **U.S. Cl.**
USPC **D23/209**

(58) **Field of Classification Search**
USPC D23/207, 209; 210/435
CPC B01D 27/08; B01D 27/00; B01D 35/30;
B01D 35/00; B01D 35/153; C02F 1/003;
C02F 2307/04

See application file for complete search history.

(56) **References Cited**

U.S. PATENT DOCUMENTS

4,082,673 A 4/1978 Cilento
D309,974 S 8/1990 Tannous
5,753,107 A 5/1998 Magnusson et al.
6,027,644 A 2/2000 Magnusson et al.
D458,341 S 6/2002 Pratt
D460,146 S * 7/2002 Setser D23/209
6,458,269 B1 10/2002 Bassett et al.
6,508,932 B1 1/2003 Mueller et al.
6,632,355 B2 10/2003 Fritze
6,649,056 B2 11/2003 Fritze

OTHER PUBLICATIONS

U.S. Appl. No. 29/618,349, filed Sep. 20, 2017, Zou Zhibin.
U.S. Appl. No. 29/618,779, filed Sep. 24, 2017, Zou Zhibin.
U.S. Appl. No. 29/619,251, filed Sep. 27, 2017, Zou Zhibin.

Primary Examiner — Robin V Webster
(74) *Attorney, Agent, or Firm* — David Lewis

(57) **CLAIM**

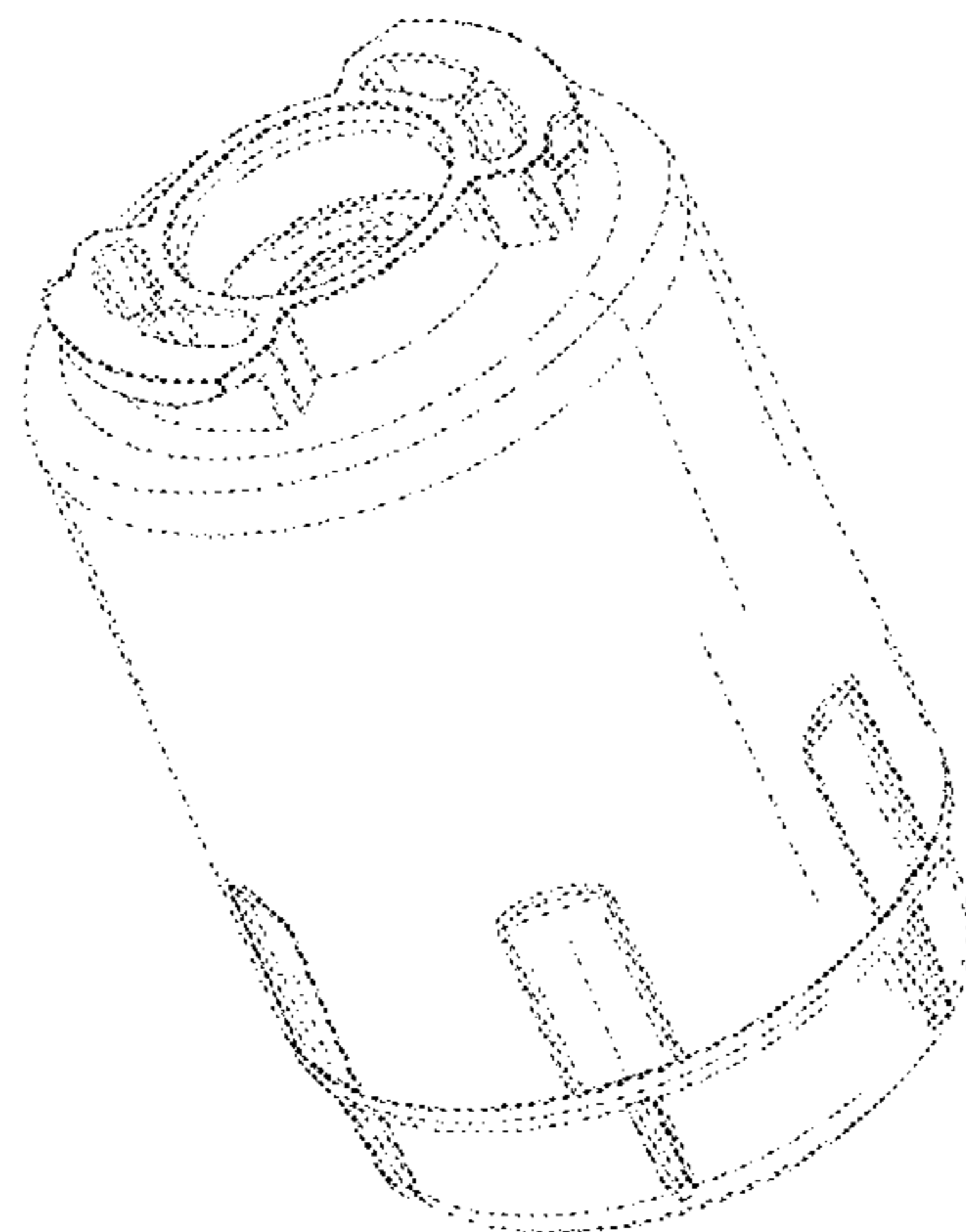
The ornamental design for a filter cartridge, as shown and
described.

DESCRIPTION

The filter cartridge is intended to be used with a removable
water filter. One end of the filter cartridge is intended to
unscrew so that the filter can be replaced.

FIG. 1 is a perspective view of the filter cartridge.
FIG. 2 is a view of the front side of the filter cartridge.
FIG. 3 is a view of the back side of the filter cartridge.
FIG. 4 is a view of the left side of the filter cartridge.
FIG. 5 is a view of the right side of the filter cartridge.
FIG. 6 is a view of the top of the filter cartridge; and,
FIG. 7 is a view of the bottom of the filter cartridge.

1 Claim, 4 Drawing Sheets



(56)

References Cited

U.S. PATENT DOCUMENTS

7,823,407	B2	11/2010	Lim et al.	
7,882,961	B2 *	2/2011	Menez	B01D 29/21 210/455
8,216,463	B1	7/2012	Baird	
8,268,170	B2	9/2012	Core et al.	
D795,997	S *	8/2017	Zou	D23/209
D798,997	S *	10/2017	Zou	D23/209
D810,859	S *	2/2018	Lu	D23/209
2005/0045552	A1	3/2005	Tadlock	
2005/0161394	A1	7/2005	Fritze et al.	
2005/0218059	A1	10/2005	Knoll	
2006/0070942	A1	4/2006	An	
2006/0091047	A1	5/2006	Ye	
2011/0303543	A1	12/2011	Fritze	
2014/0202944	A1	7/2014	Wes	
2014/0238919	A1	8/2014	Shaffer	
2014/0319033	A1	10/2014	Shaffer	
2015/0001140	A1	1/2015	Reckin et al.	
2015/0157967	A1	6/2015	Krause et al.	
2015/0238919	A1	8/2015	Oldham et al.	
2015/0258477	A1	9/2015	Lackey et al.	
2017/0304751	A1	10/2017	Zhibin	
2017/0340993	A1	11/2017	Zhibin	

FOREIGN PATENT DOCUMENTS

CN	105407997	A	3/2016
EP	2151267	B1	6/2014
EP	3248664	A1	11/2017
WO	WO 2008/027083	A2	3/2008
WO	WO 2018/000254	A1	1/2018

* cited by examiner

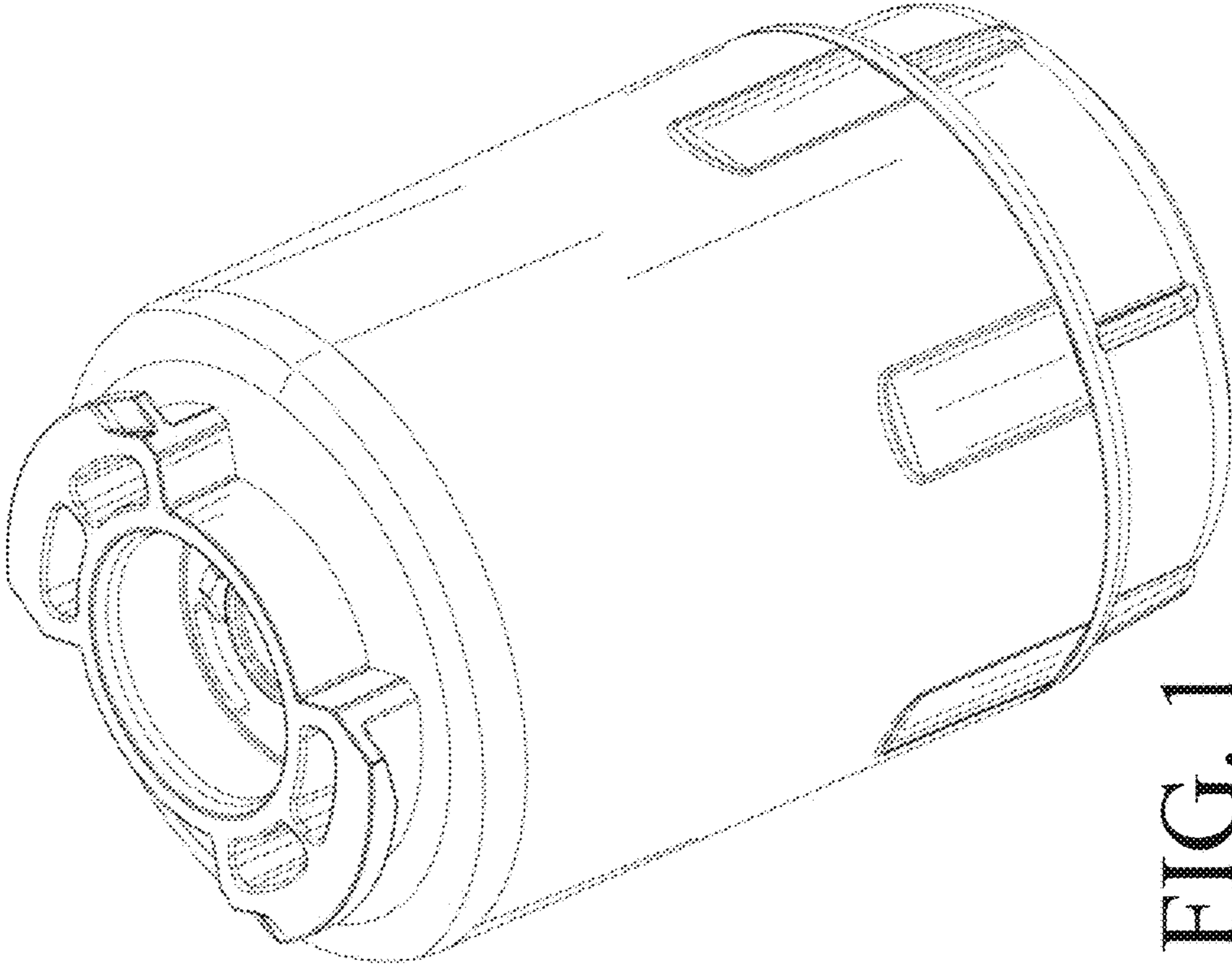


FIG. 1

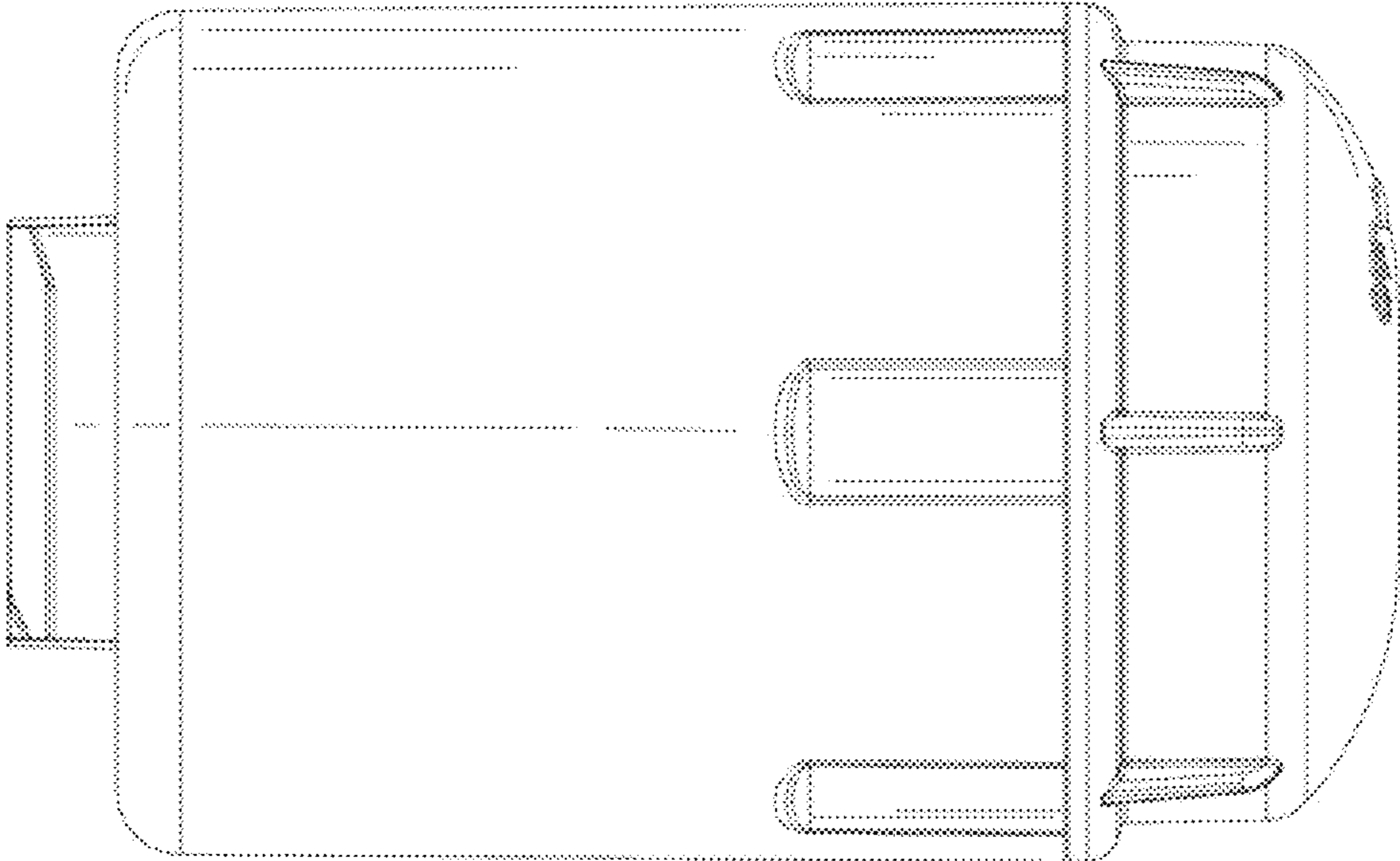


FIG. 2

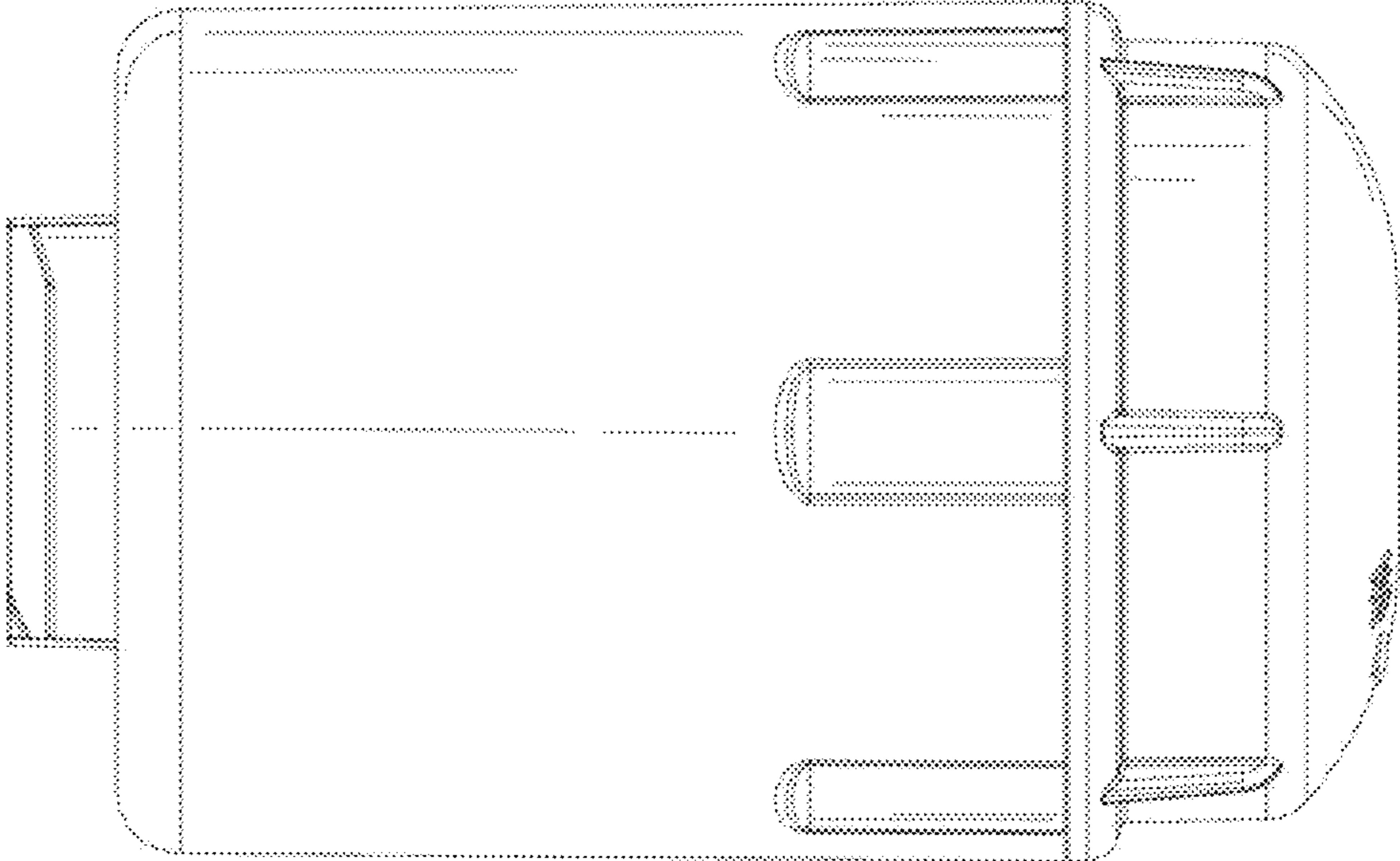


FIG. 3

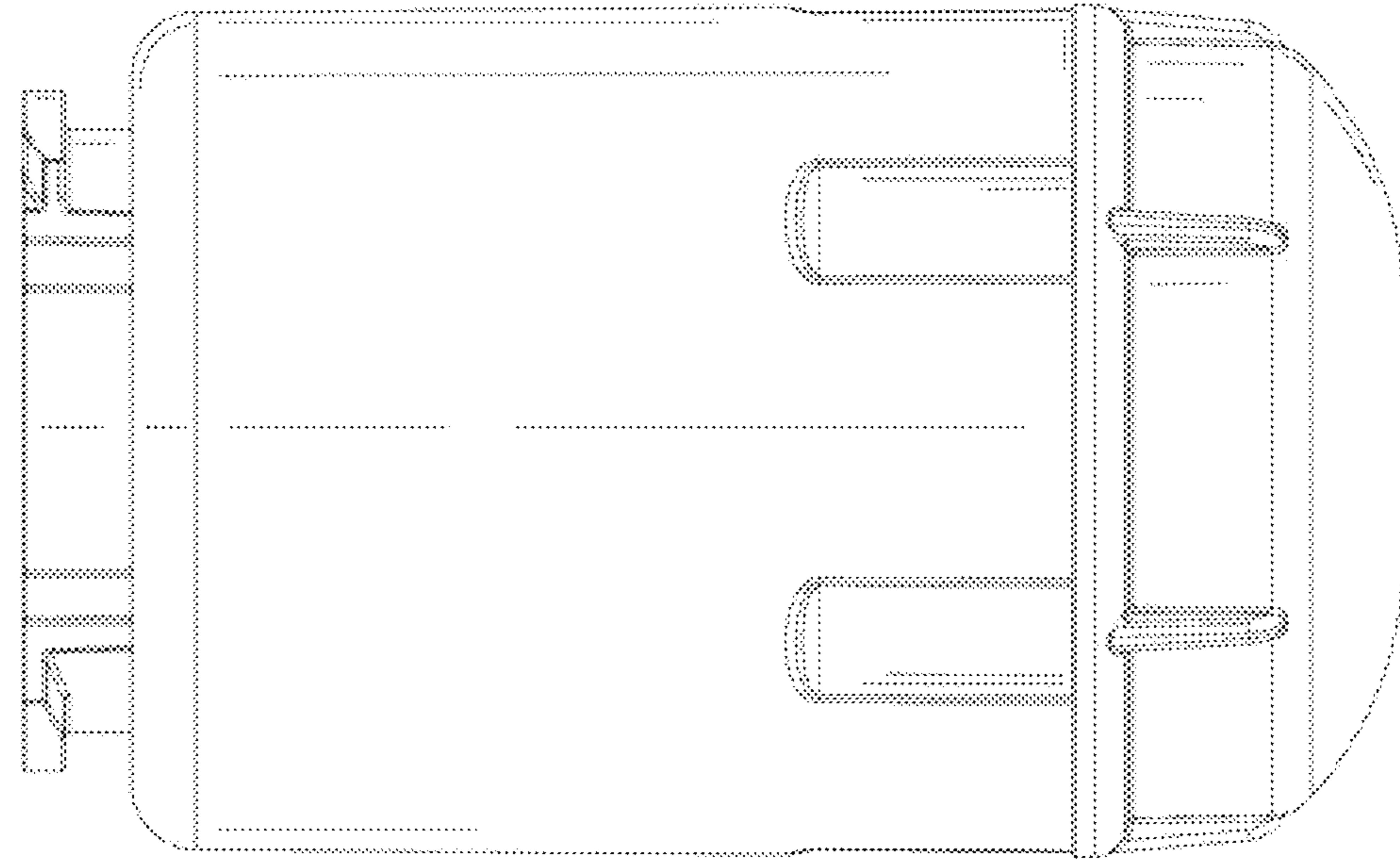


FIG. 4

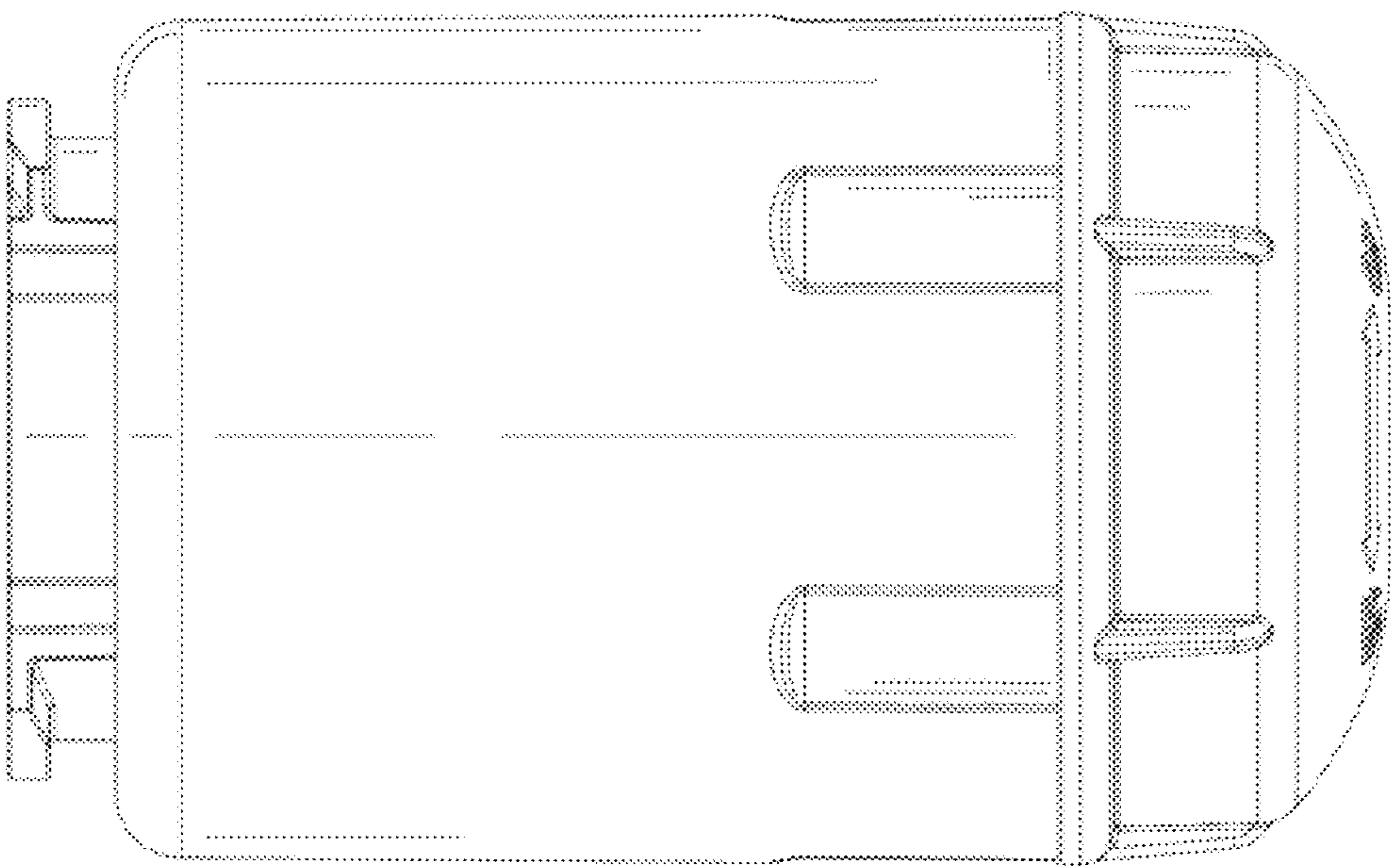


FIG. 5

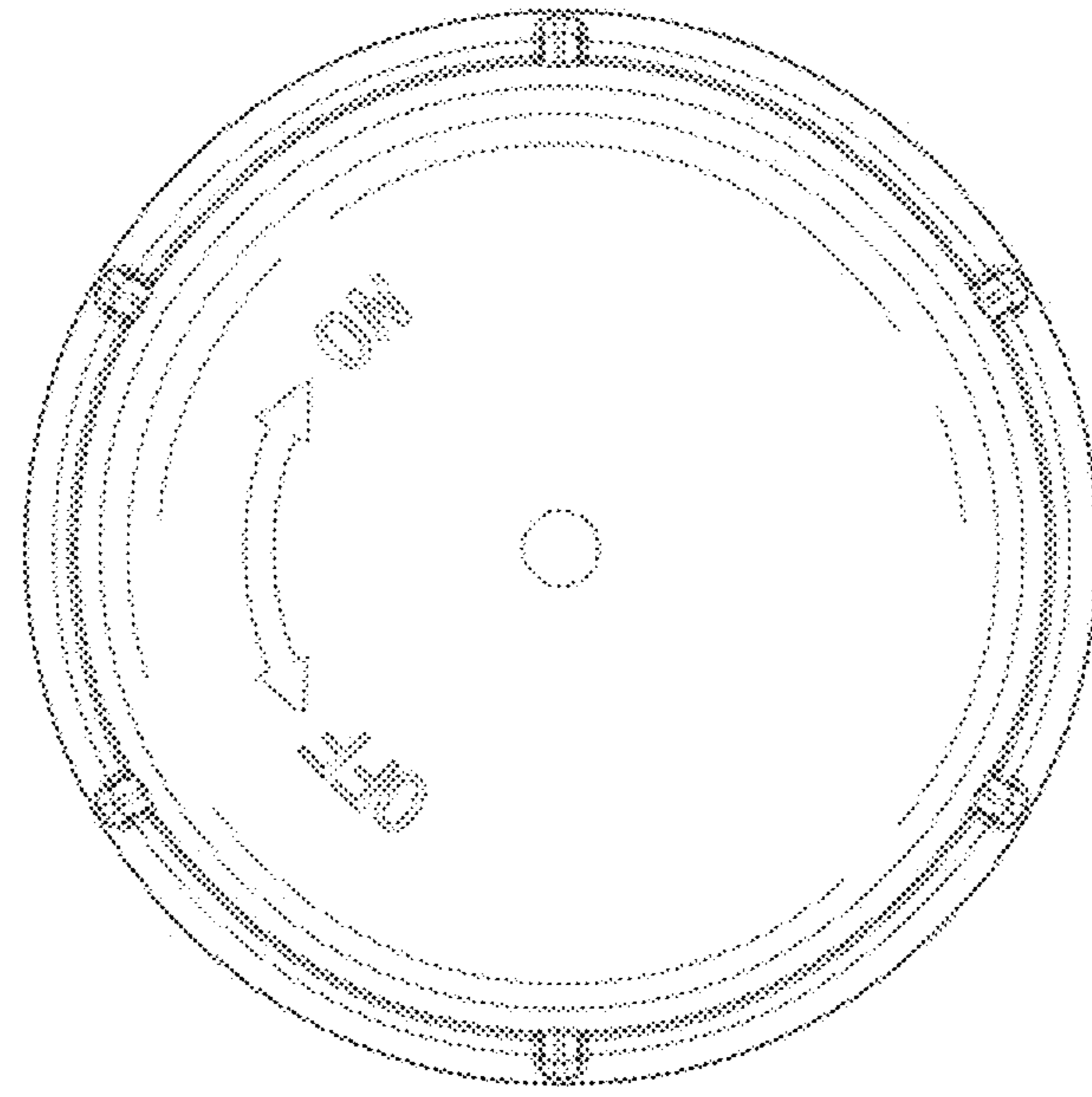


FIG. 6

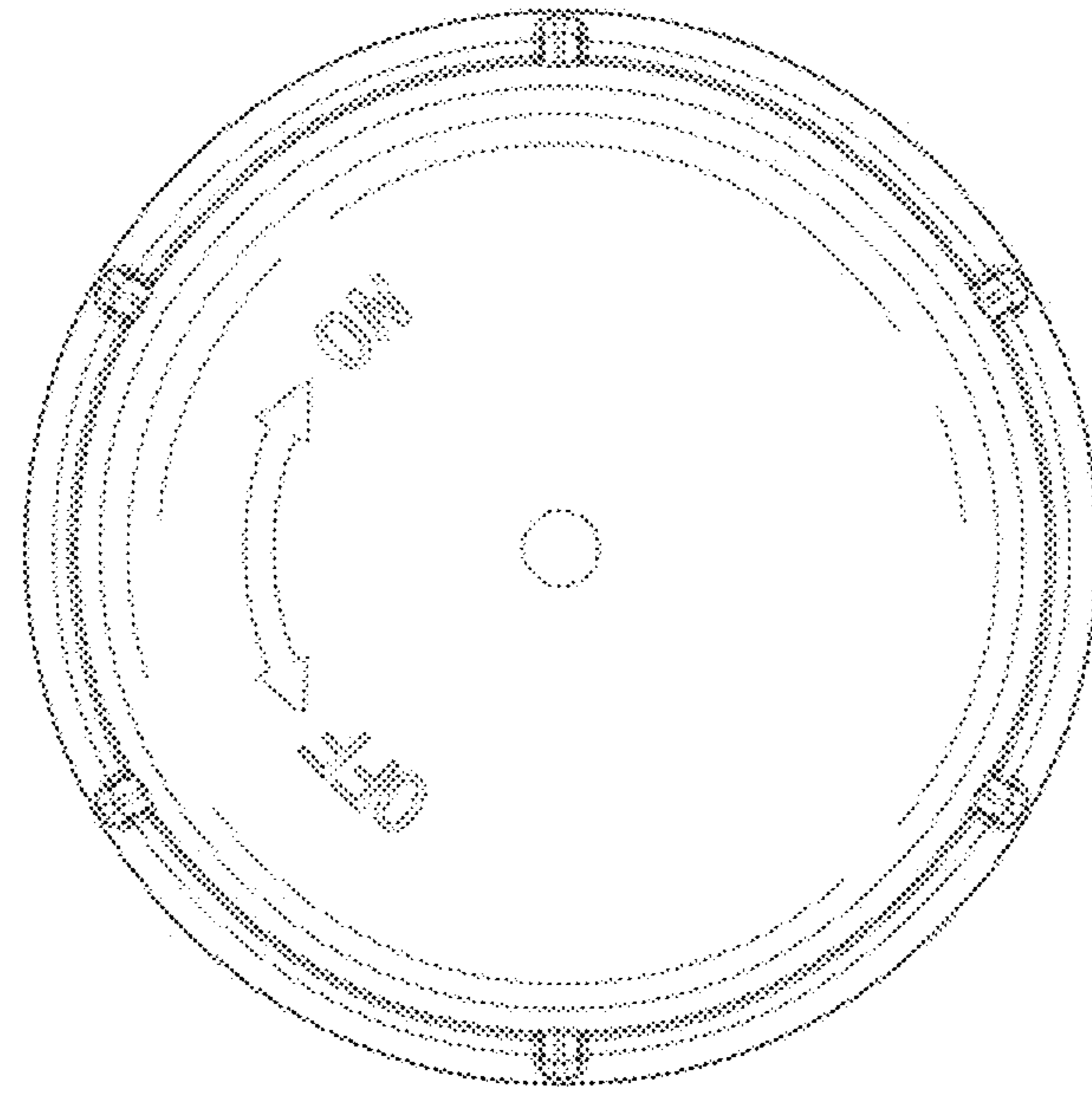


FIG. 7