

US00D847944S

(12) **United States Design Patent** (10) **Patent No.:** **US D847,944 S**
Zhibin (45) **Date of Patent:** **** May 7, 2019**

(54) **FILTER CARTRIDGE**
(71) Applicant: **Hong Kong Ecoaqua Co., Limited,**
Hong Kong (CN)
(72) Inventor: **Zou Zhibin,** Qingdao (CN)
(73) Assignee: **HONG KONG ECOAQUA CO.,**
LIMITED, Hong Kong (CN)

D487,497 S 3/2004 Ti
6,949,189 B2 9/2005 Bassett et al.
6,953,526 B1 10/2005 Fritze
D518,555 S * 4/2006 De Muro, Jr. D23/209
7,135,113 B2 11/2006 Bassett et al.
7,407,148 B2 8/2008 Bassett et al.
(Continued)

(**) Term: **15 Years**
(21) Appl. No.: **29/618,349**
(22) Filed: **Sep. 20, 2017**

FOREIGN PATENT DOCUMENTS

AU 2016204166 A1 12/2017
CN 1219441 A 6/1999
(Continued)

Related U.S. Application Data

(63) Continuation of application No. 29/564,197, filed on
May 11, 2016.
(51) **LOC (11) Cl.** **23-01**
(52) **U.S. Cl.**
USPC **D23/209**
(58) **Field of Classification Search**
USPC D23/207, 209; 210/435
CPC B01D 27/08; B01D 27/00; B01D 35/30;
B01D 35/00; B01D 35/153; C02F 1/003;
C02F 2307/04

OTHER PUBLICATIONS

29/618,350, dated Sep. 20, 2017 Zou Zhibin.
29/618,779, dated Sep. 24, 2017 Zou Zhibin.
29/619,251, dated Sep. 27, 2017 Zou Zhibin.

Primary Examiner — Robin V Webster
(74) *Attorney, Agent, or Firm* — David Lewis

See application file for complete search history.

(57) **CLAIM**

The ornamental design for a filter cartridge, as shown and
described.

DESCRIPTION

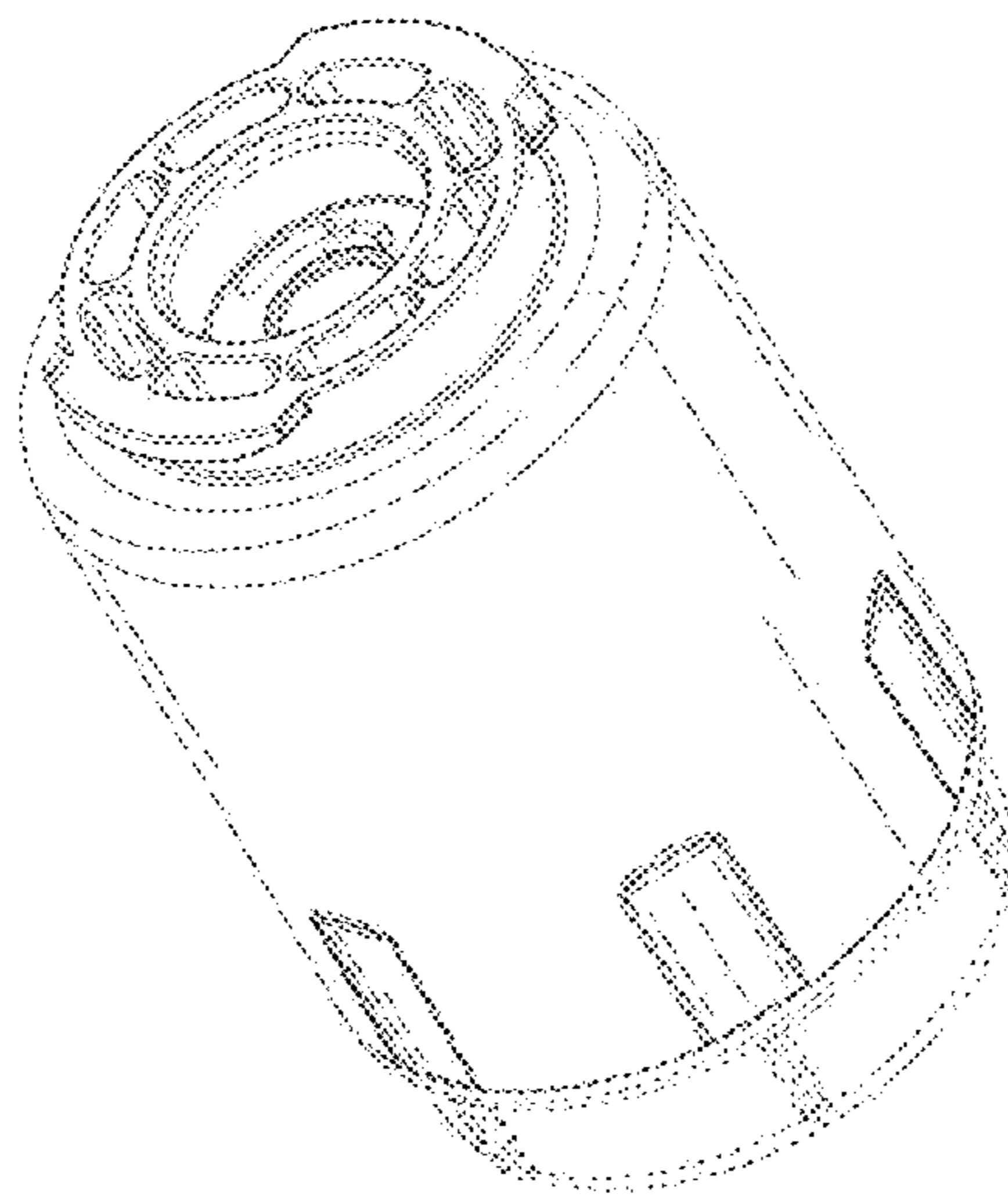
FIG. 1 is a perspective view of the filter cartridge.
FIG. 2 is a view of the front side of the filter cartridge.
FIG. 3 is a view of the back side of the filter cartridge.
FIG. 4 is a view of the left side of the filter cartridge.
FIG. 5 is a view of the right side of the filter cartridge.
FIG. 6 is a view of the top of the filter cartridge; and,
FIG. 7 is a view of the bottom of the filter cartridge.
The portions drawn in phantom illustrate the environment
and are not part of the design.
The filter cartridge is intended to be used with a removable
water filter. One end of the filter cartridge is intended to
unscrew so that the filter can be replaced.

(56) **References Cited**

U.S. PATENT DOCUMENTS

4,082,673 A 4/1978 Cilento
D309,974 S 8/1990 Tannous
5,753,107 A 5/1998 Magnusson et al.
6,027,644 A 2/2000 Magnusson et al.
D458,341 S 6/2002 Pratt
D460,146 S * 7/2002 Setser D23/209
6,458,269 B1 10/2002 Bassett et al.
6,508,932 B1 1/2003 Mueller et al.
6,632,355 B2 10/2003 Fritze
6,649,056 B2 11/2003 Fritze
D484,568 S 12/2003 Janik et al.

1 Claim, 4 Drawing Sheets



(56)

References Cited

U.S. PATENT DOCUMENTS

7,540,957	B1	6/2009	Kurth et al.	
7,763,170	B2	7/2010	Bassett et al.	
7,823,407	B2	11/2010	Lim et al.	
7,882,961	B2 *	2/2011	Menez	B01D 29/21 210/455
8,216,463	B1	7/2012	Baird	
8,268,170	B2	9/2012	Core et al.	
D795,997	S *	8/2017	Zou	D23/209
D798,997	S *	10/2017	Zou	D23/209
D810,859	S *	2/2018	Lu	D23/209
2005/0045552	A1	3/2005	Tadlock	
2005/0161394	A1	7/2005	Fritze et al.	
2005/0218059	A1	10/2005	Knoll	
2006/0070942	A1	4/2006	An	
2006/0091047	A1	5/2006	Ye	
2011/0303543	A1	12/2011	Fritze	
2014/0202944	A1	7/2014	Wes	
2014/0238919	A1	8/2014	Shaffer	
2014/0319033	A1	10/2014	Shaffer	
2015/0001140	A1	1/2015	Reckin et al.	
2015/0157967	A1	6/2015	Krause et al.	
2015/0238919	A1	8/2015	Oldham et al.	
2015/0258477	A1	9/2015	Lackey et al.	
2017/0304751	A1	10/2017	Zhibin	
2017/0340993	A1	11/2017	Zhibin	

FOREIGN PATENT DOCUMENTS

CN	105407997	A	3/2016
EP	2151267	B1	6/2014
EP	3248664	A1	11/2017
WO	WO 2008/027083	A2	3/2008
WO	WO 2018/000254	A1	1/2018

* cited by examiner

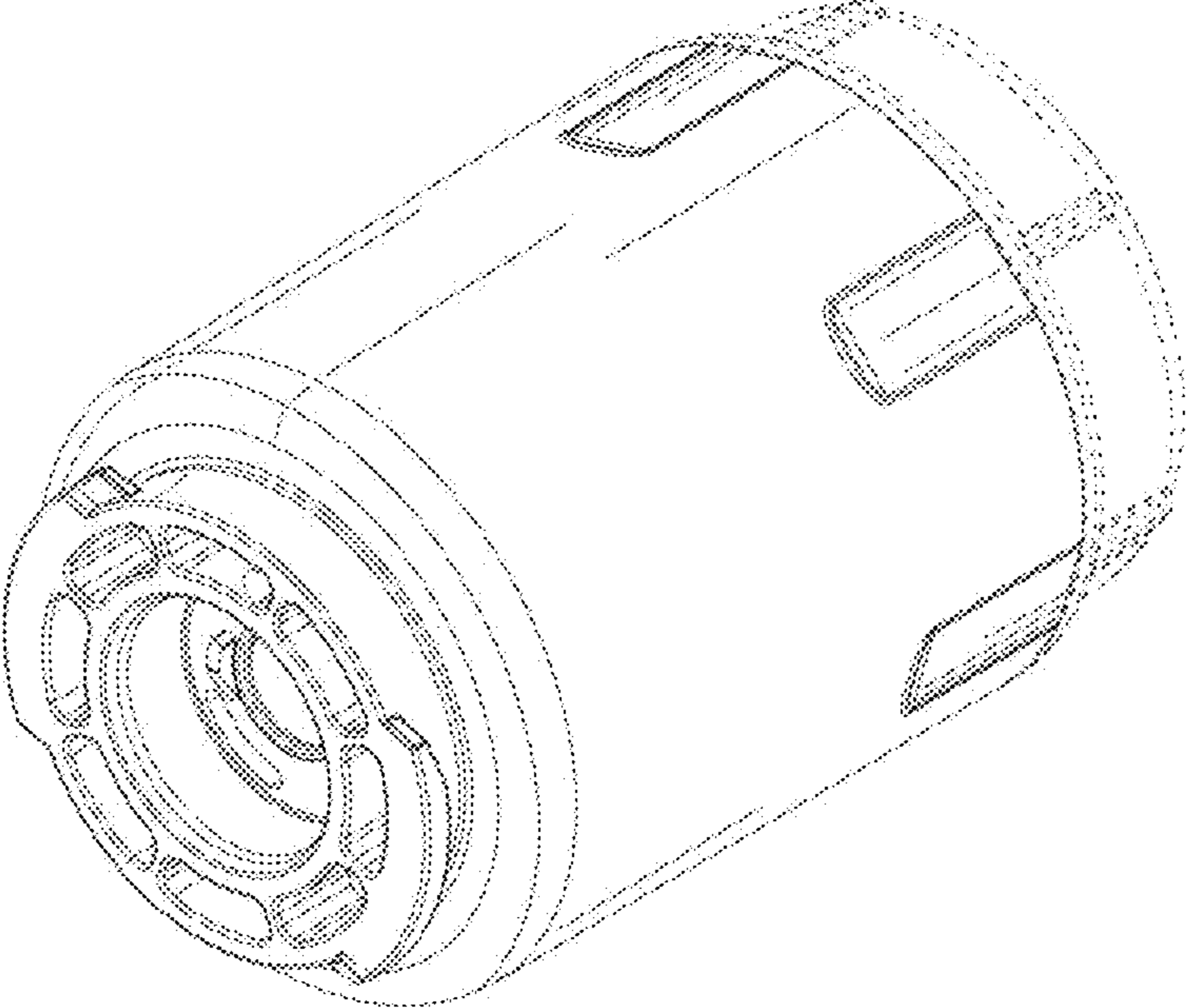


FIG. 1

FIG. 3

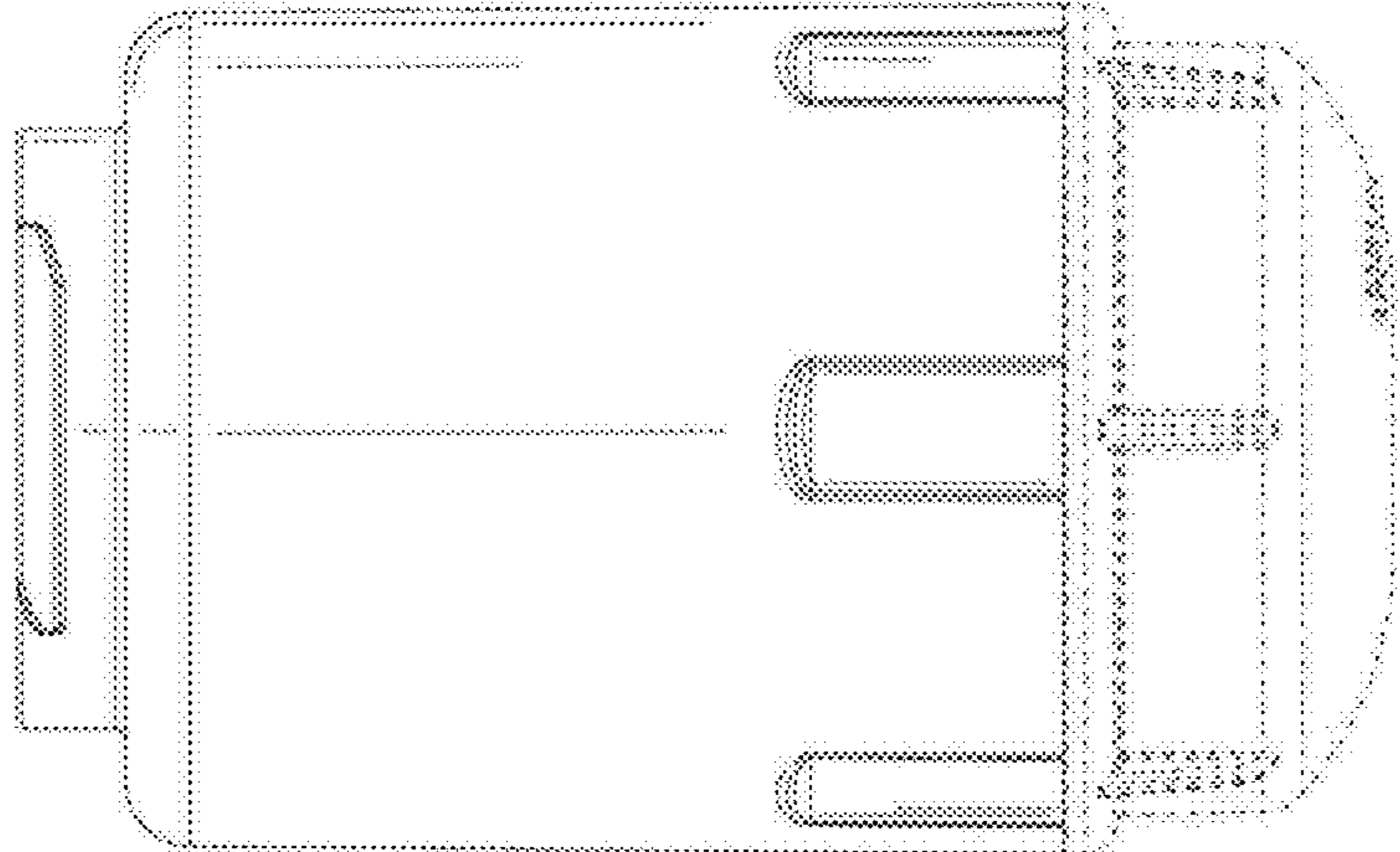
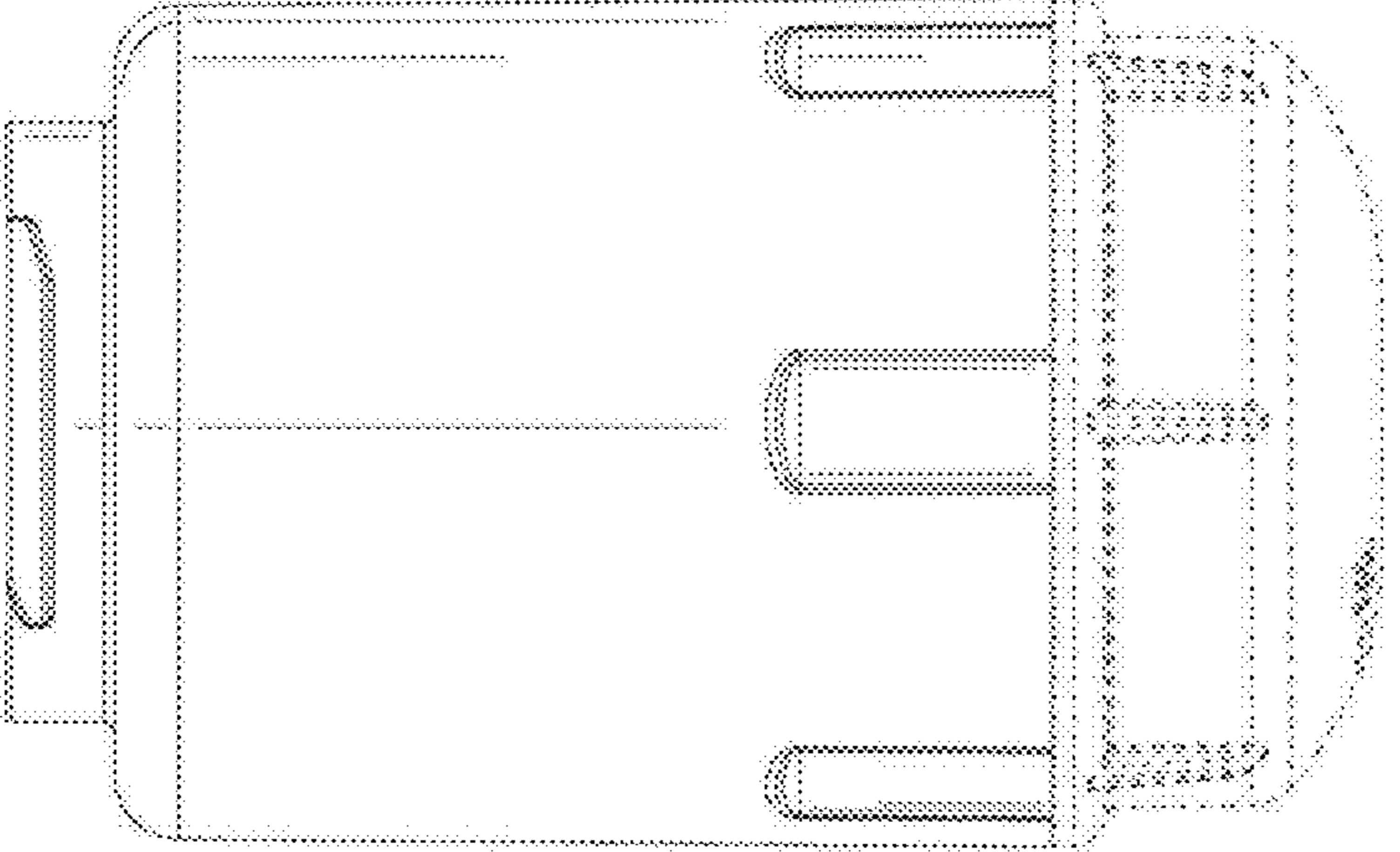


FIG. 2



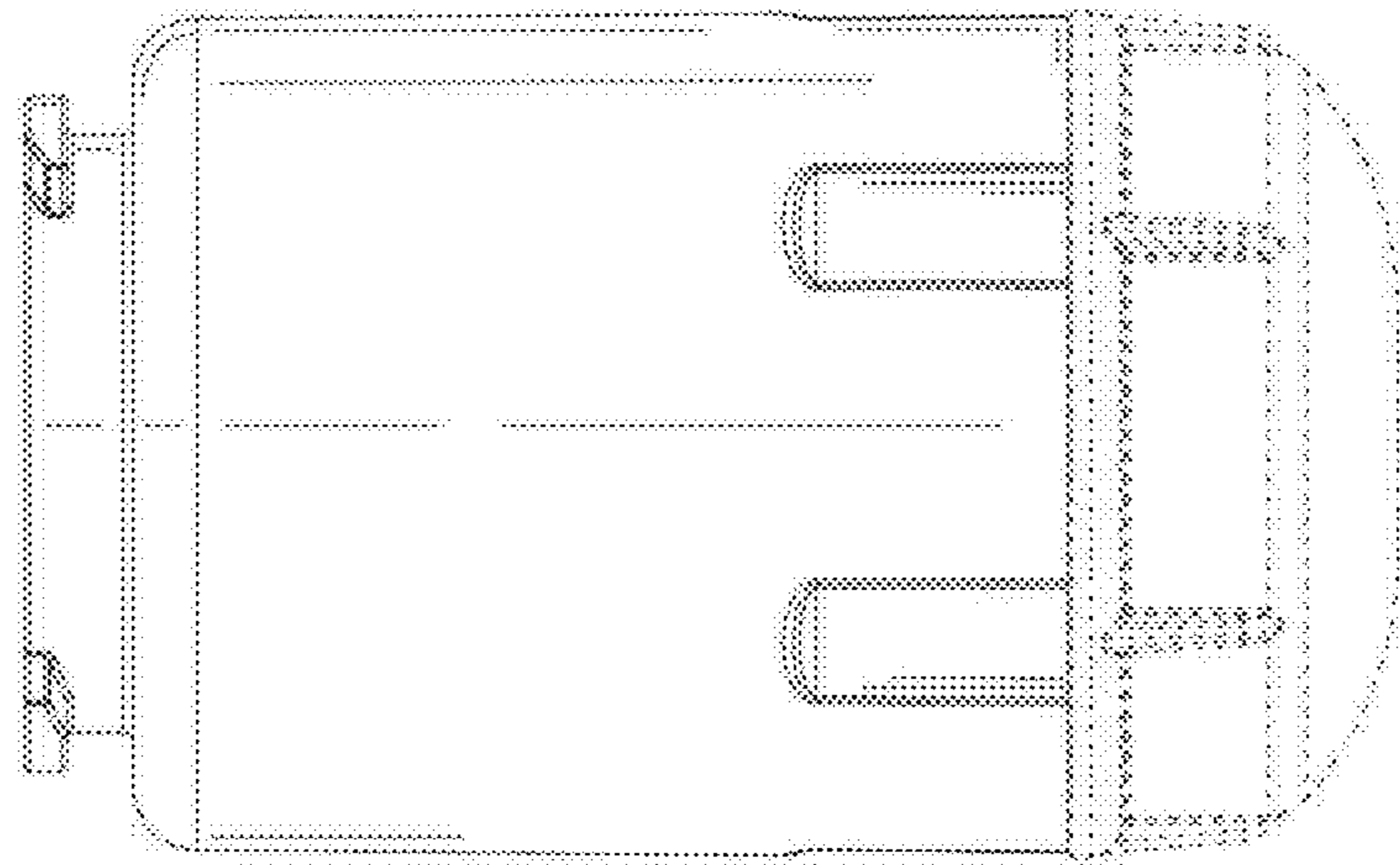


FIG. 5

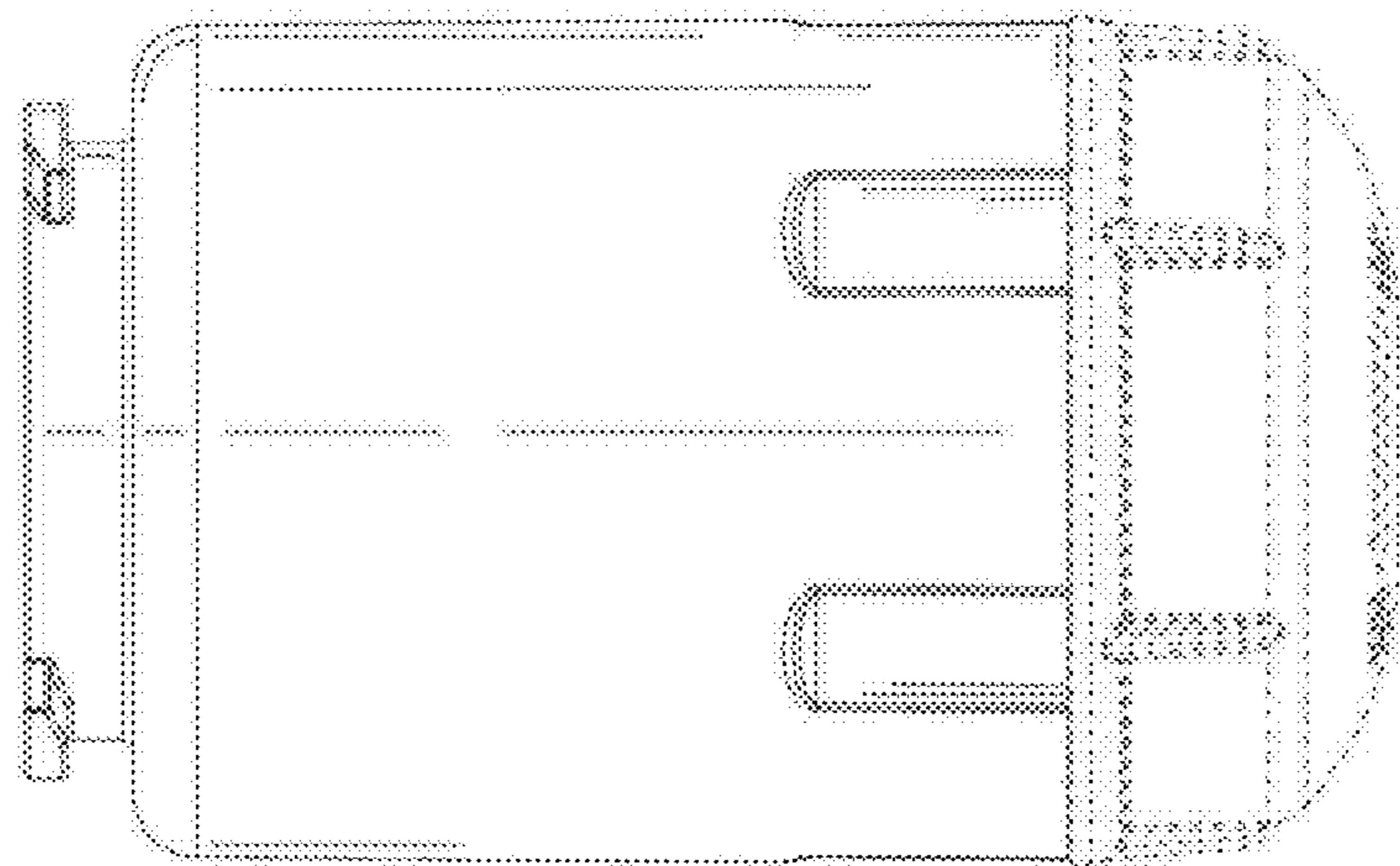


FIG. 4

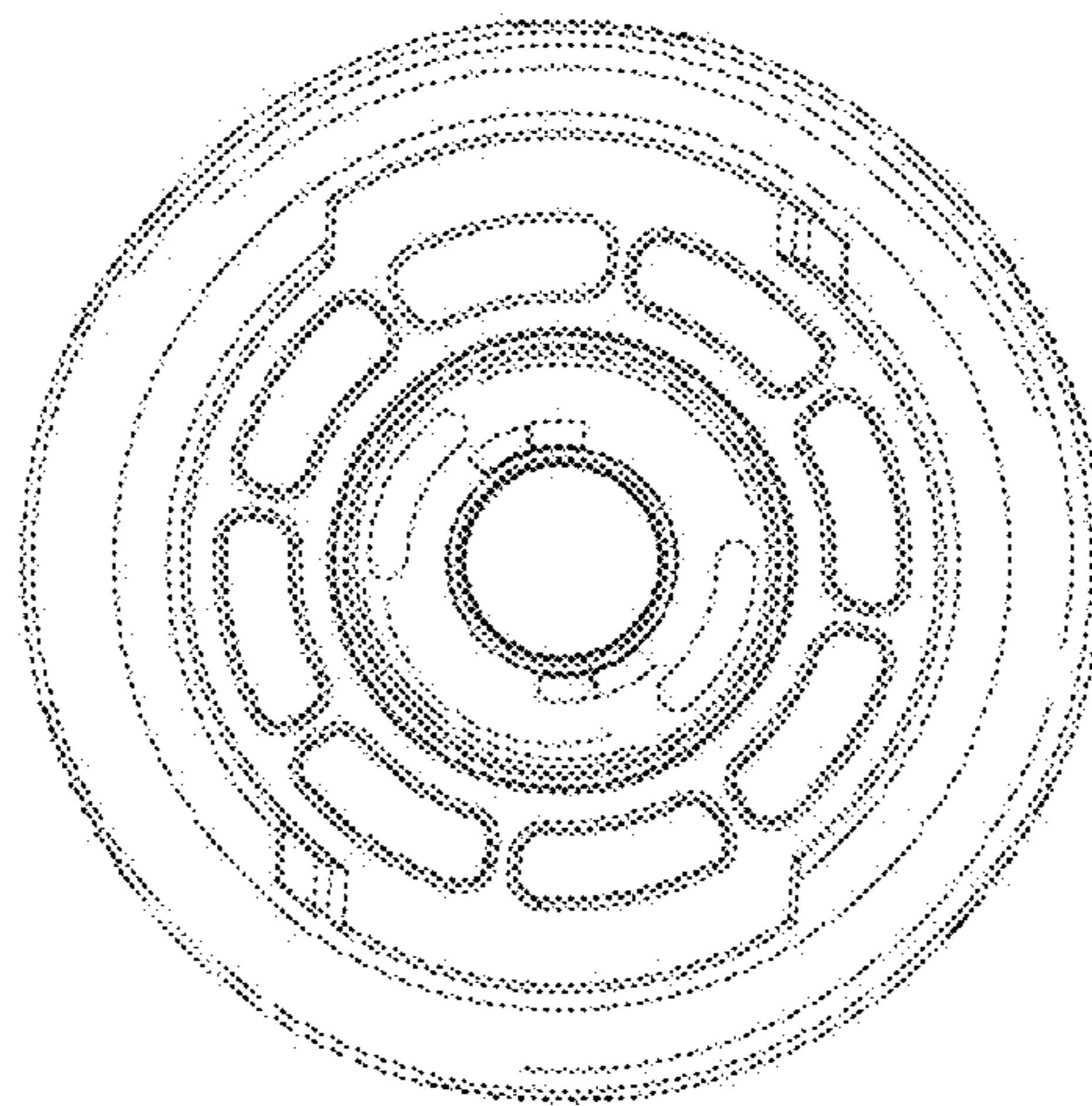


FIG. 6

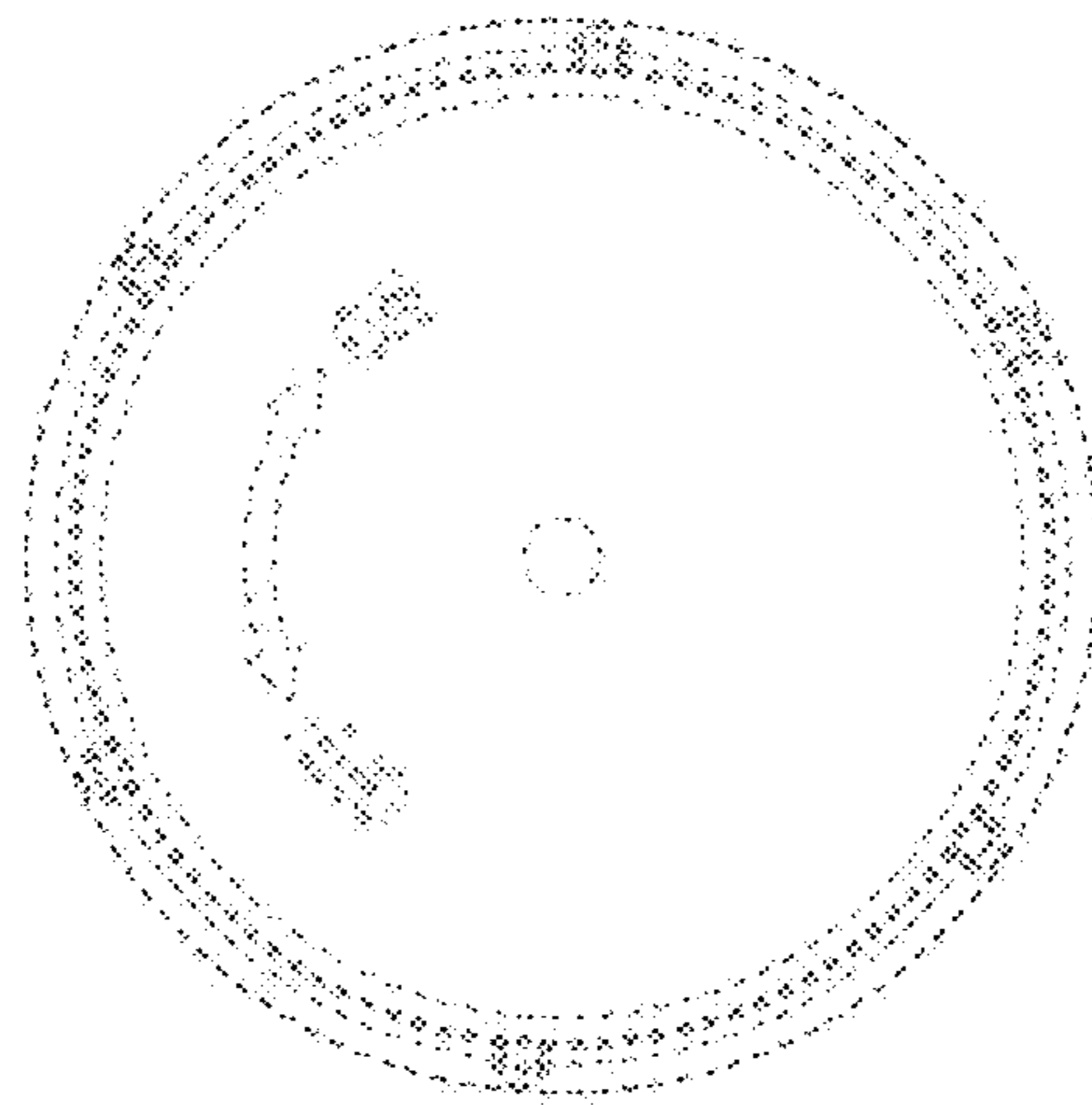


FIG. 7