



US00D847943S

(12) **United States Design Patent** (10) **Patent No.:** **US D847,943 S**
McPeck (45) **Date of Patent:** **** May 7, 2019**

(54) **FOUNTAIN**

(71) Applicant: **Marshall McPeck**, Columbus, OH (US)

(72) Inventor: **Marshall McPeck**, Columbus, OH (US)

(**) Term: **15 Years**

(21) Appl. No.: **29/671,499**

(22) Filed: **Nov. 28, 2018**

Related U.S. Application Data

(62) Division of application No. 29/598,129, filed on Mar. 23, 2017, now Pat. No. Des. 835,751.

(51) **LOC (11) Cl.** **23-01**

(52) **U.S. Cl.**
USPC **D23/201**

(58) **Field of Classification Search**
USPC D23/201; D11/131; 239/17-23
CPC B05B 17/08; F21W 2121/02
See application file for complete search history.

(56) **References Cited**

U.S. PATENT DOCUMENTS

D420,423 S	2/2000	Blount	
6,527,197 B1	3/2003	Lin	
D497,659 S	10/2004	Bright et al.	
D503,833 S	4/2005	Bright et al.	
6,921,023 B1 *	7/2005	Bright	A01K 63/006 239/17
6,971,779 B2	12/2005	Tau et al.	
D582,509 S	12/2008	Konkle	
D640,344 S	6/2011	Hadi	
D689,978 S	9/2013	Mei Ying	
D697,580 S	1/2014	Hadi	
2018/0015428 A1	1/2018	Nardella	

OTHER PUBLICATIONS

William Pye, Charybdis II, 2012, <http://www.williampye.com/works/charybdis-ii-oman>.

William Pye, Caribdis, 2012, <http://www.williampye.com/works/caribdis>.

William Pye, Aquabar, 2003, <http://www.williampye.com/works/aquabar>.

William Pye, Mini Vortex, <http://www.williampye.com/works/mini-vortex>, site visited Jul. 27, 2017.

William Pye, Scylla, 2001, <http://www.williampye.com/works/scylla>.

William Pye, Charybdis, 2000, <http://www.williampye.com/works/charybdis>.

* cited by examiner

Primary Examiner — Robin V Webster

(74) *Attorney, Agent, or Firm* — Standley Law Group LLP

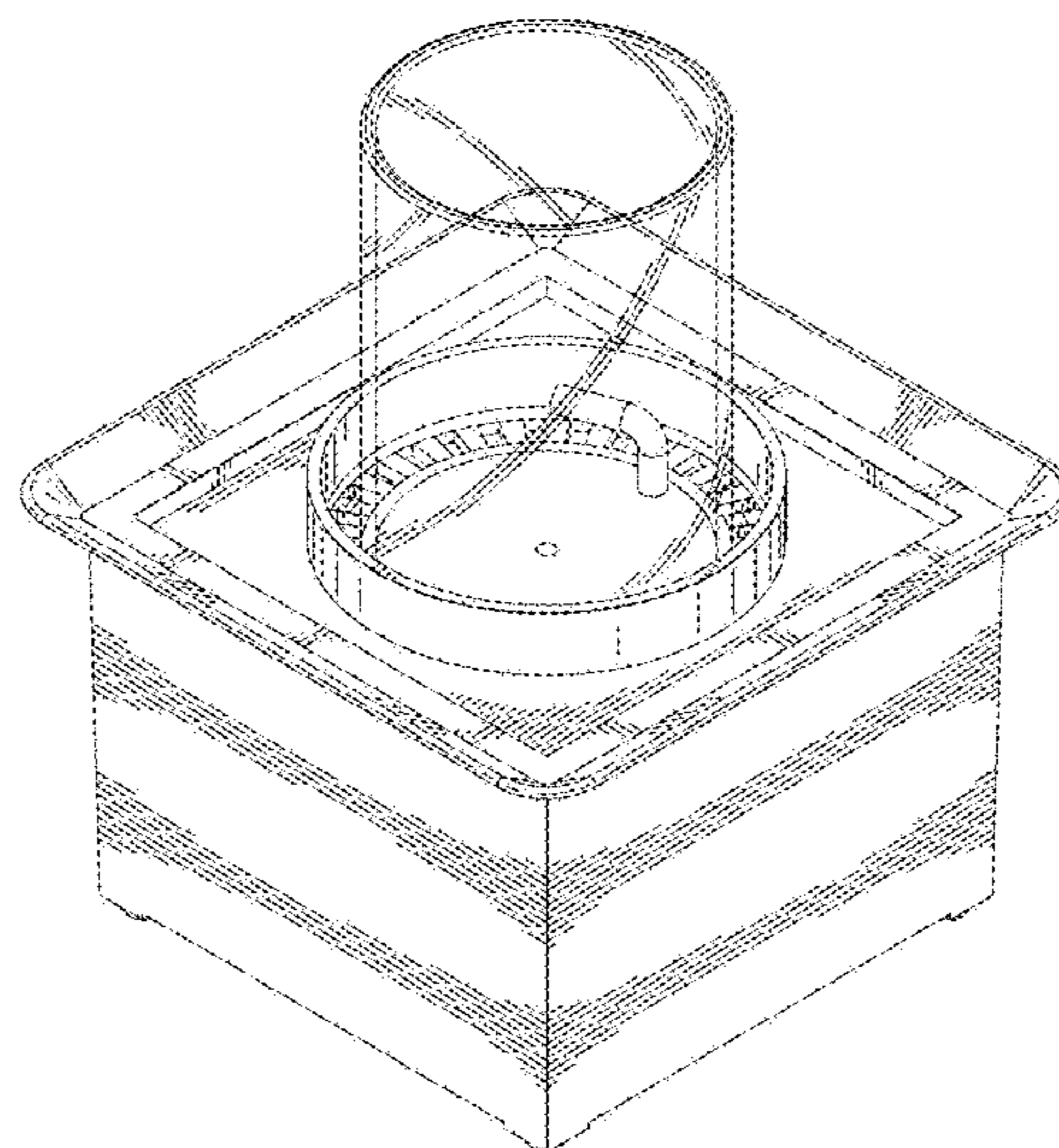
(57) **CLAIM**

The ornamental design for a fountain, as shown and described above.

DESCRIPTION

FIG. 1 is a front perspective view of an exemplary fountain of the present invention;
FIG. 2 is a front elevation view of the fountain of FIG. 1;
FIG. 3 is a rear elevation view of the FIG. 1 embodiment;
FIG. 4 is a right side view of the FIG. 1 embodiment;
FIG. 5 is a left side view of the FIG. 1 embodiment;
FIG. 6 is a top plan view of the FIG. 1 embodiment;
FIG. 7 is a bottom plan view of the FIG. 1 embodiment;
FIG. 8 is an exploded perspective view of the FIG. 1 embodiment; and,
FIG. 9 is an environmental perspective view of the FIG. 1 embodiment.
The broken lines are for illustration only and form no part of the claimed design.

1 Claim, 9 Drawing Sheets



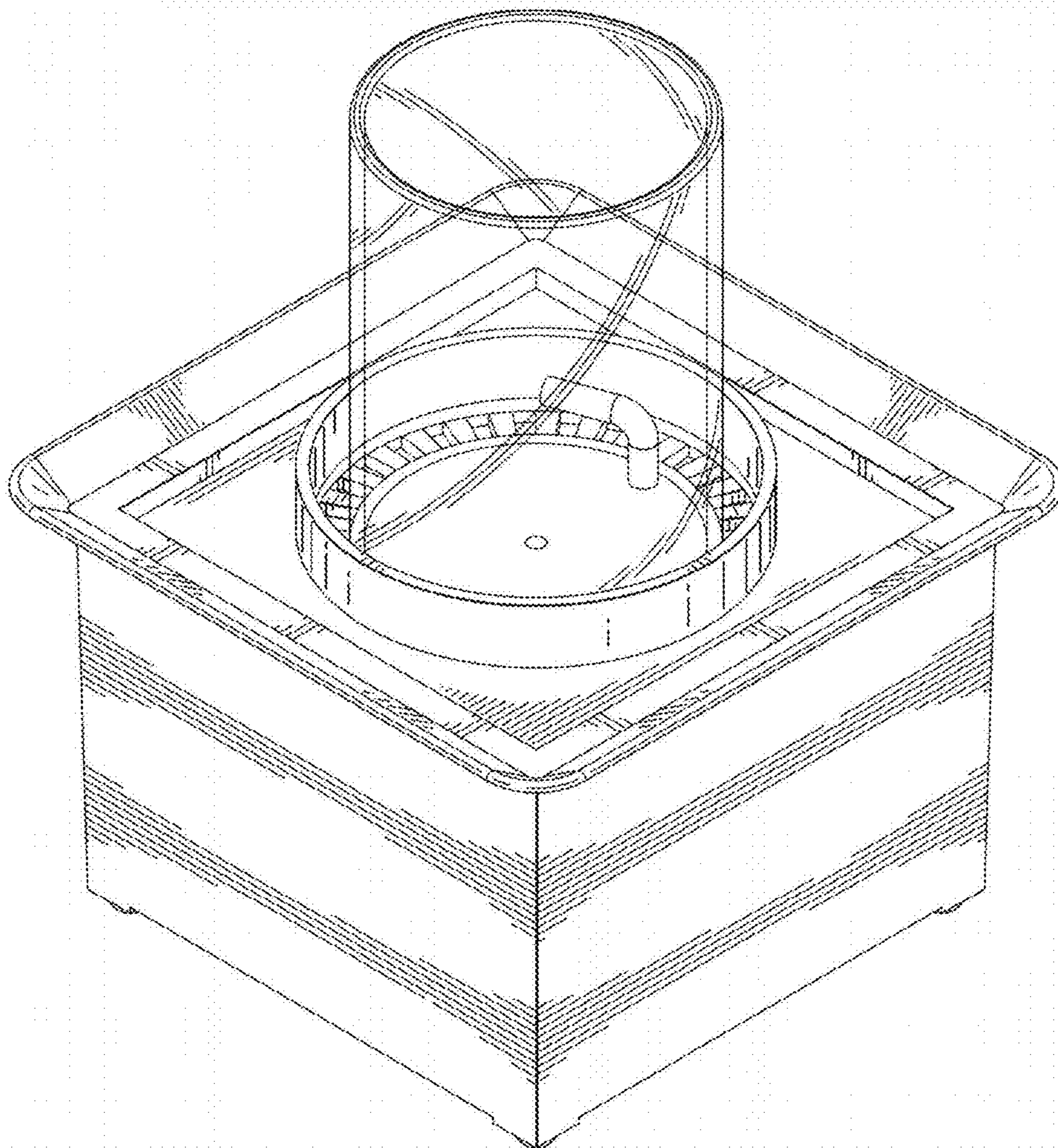


FIG. 1

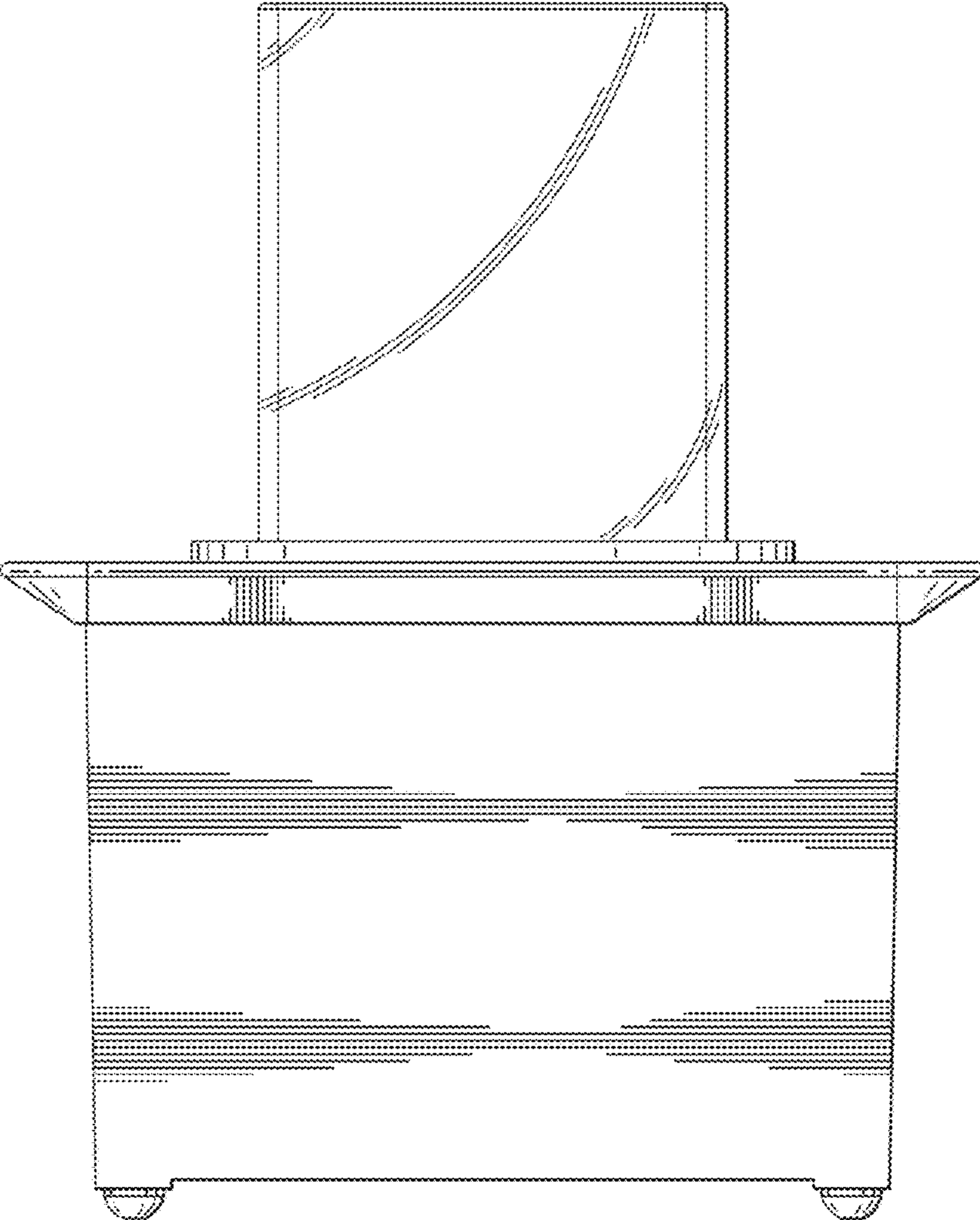


FIG. 2

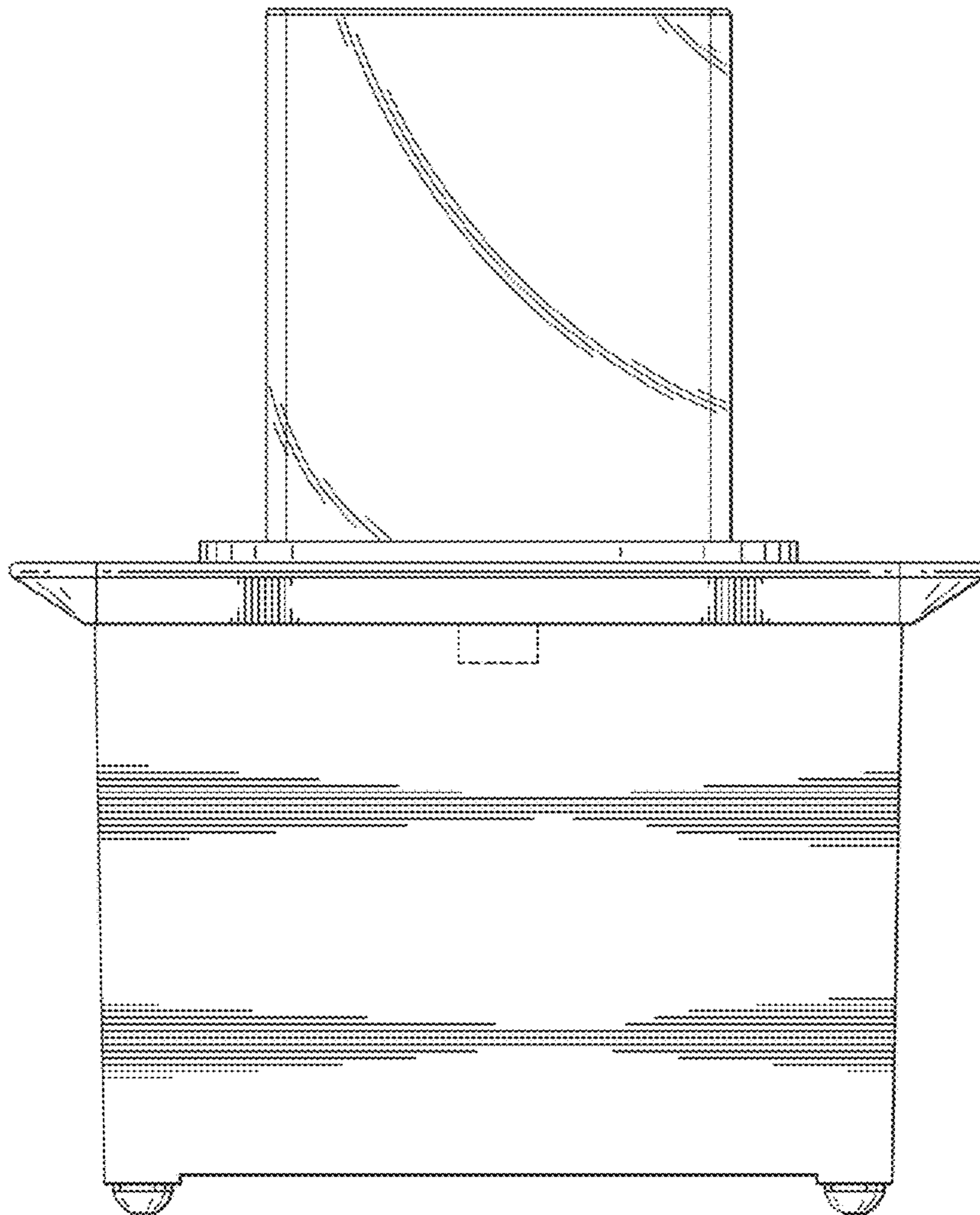


FIG. 3

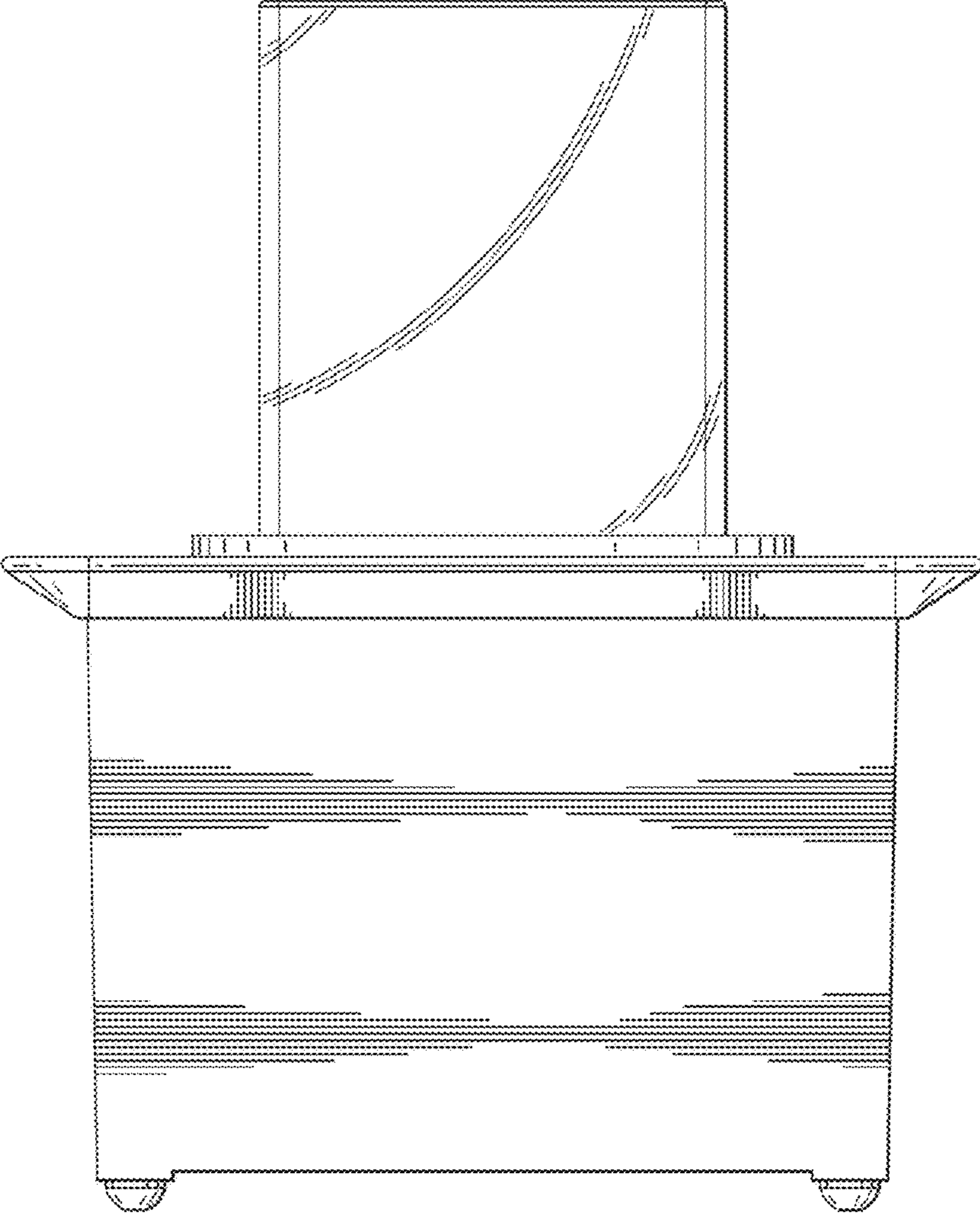


FIG. 4

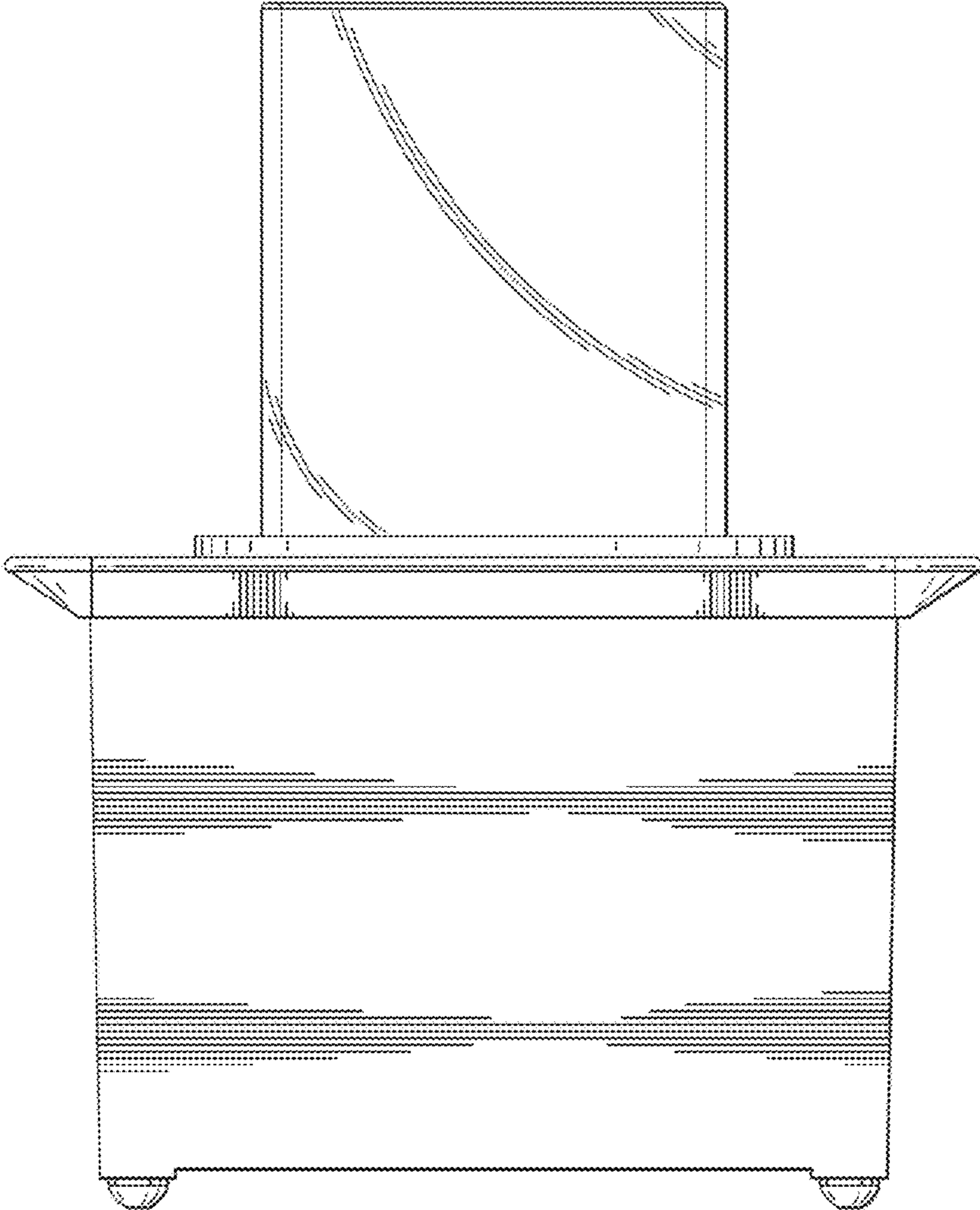


FIG. 5

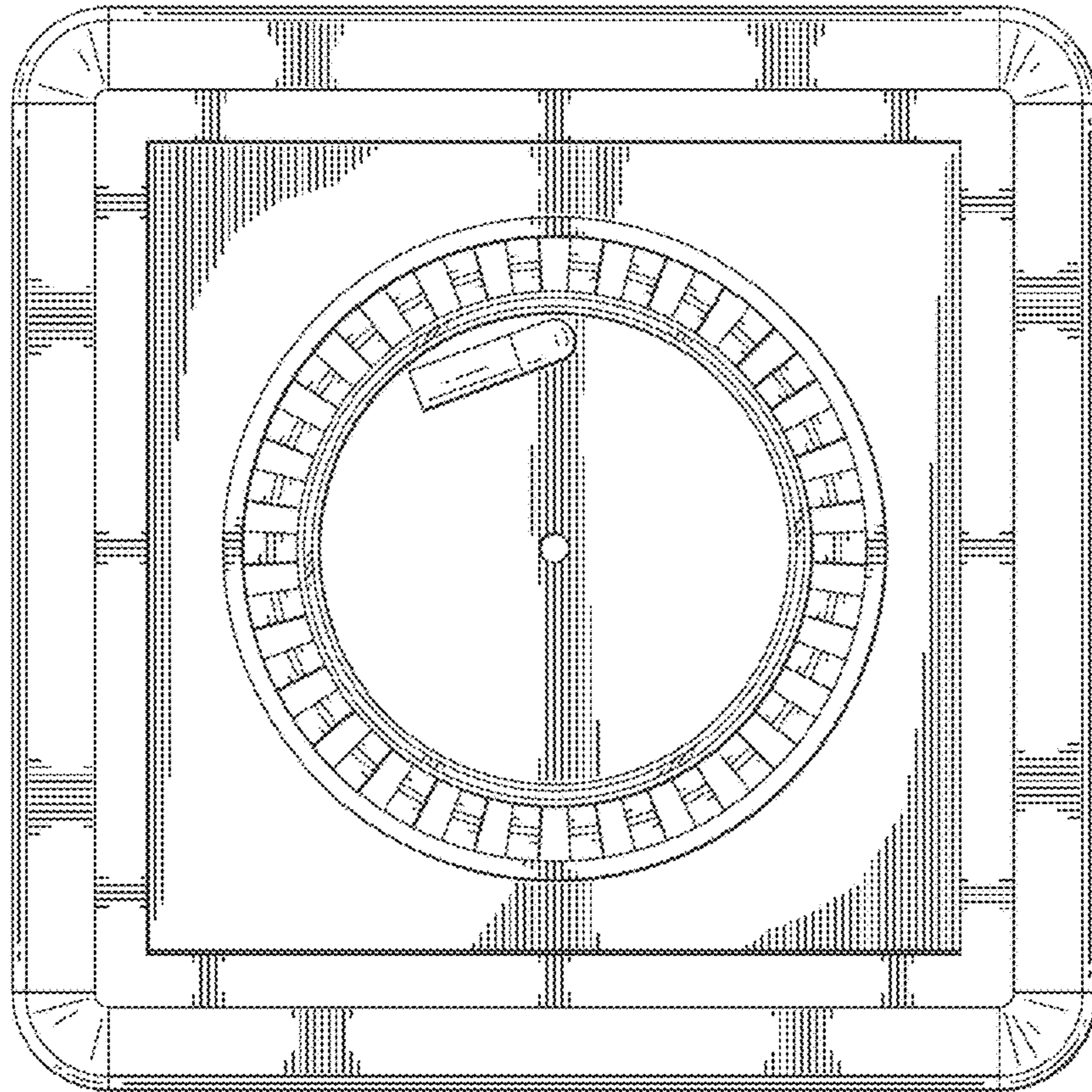


FIG. 6

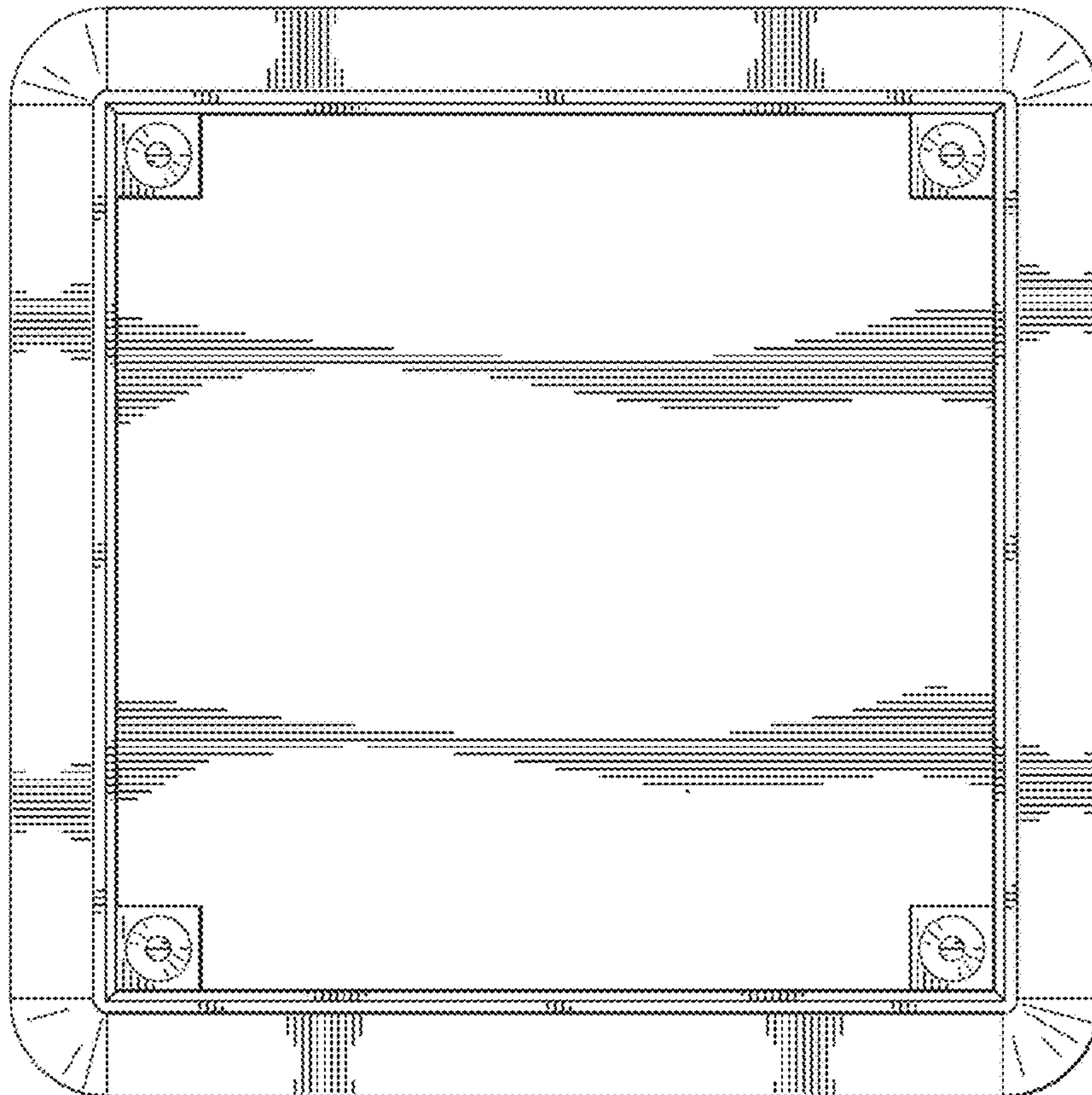


FIG. 7

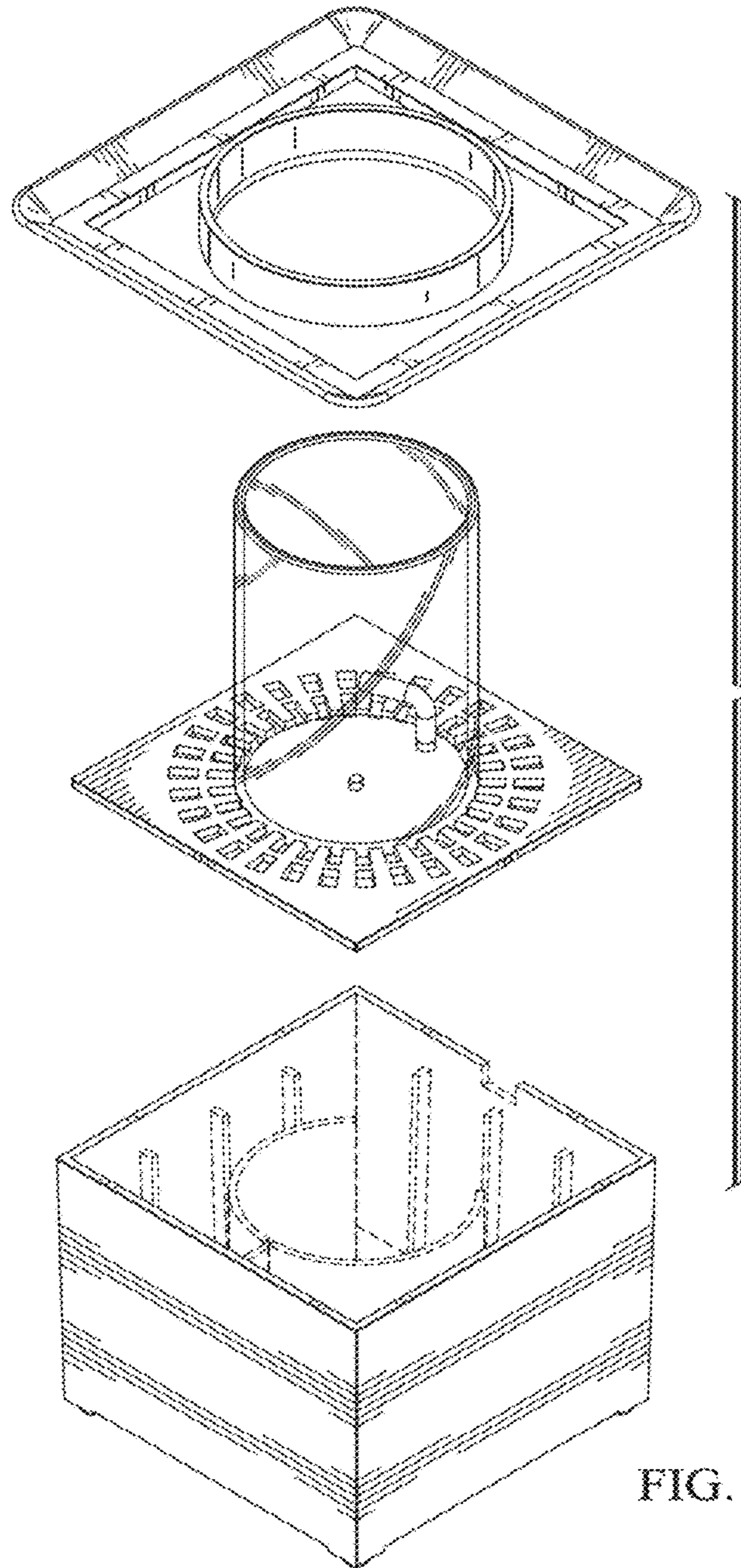


FIG. 8

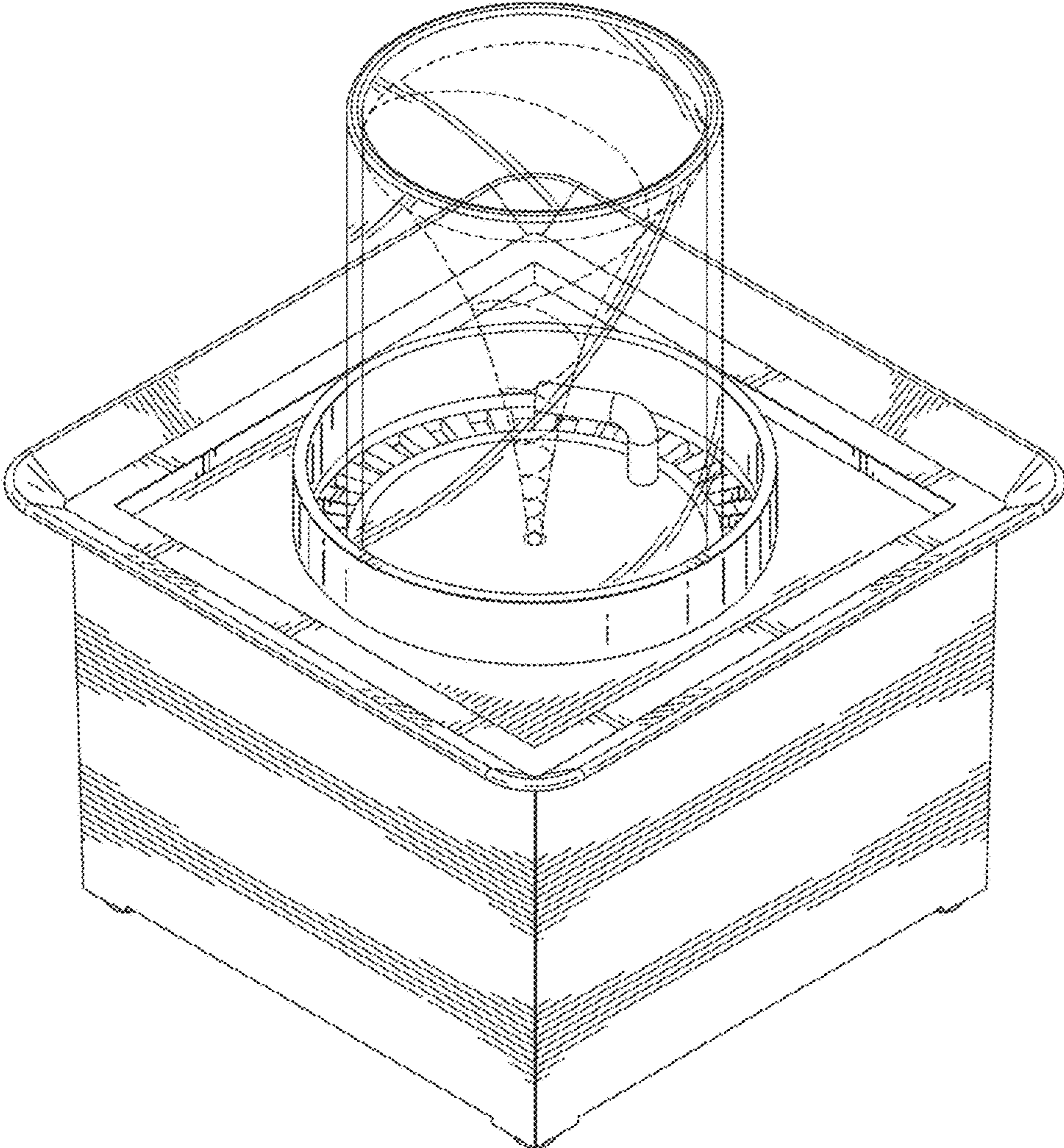


FIG. 9