

US00D847942S

(12) **United States Design Patent** (10) **Patent No.:** **US D847,942 S**
McPeek (45) **Date of Patent:** **** May 7, 2019**

- (54) **FOUNTAIN**
- (71) Applicant: **Marshall McPeek**, Columbus, OH (US)
- (72) Inventor: **Marshall McPeek**, Columbus, OH (US)
- (**) Term: **15 Years**
- (21) Appl. No.: **29/661,962**
- (22) Filed: **Aug. 31, 2018**

Related U.S. Application Data

- (63) Continuation-in-part of application No. 15/683,820, filed on Aug. 23, 2017, which is a continuation-in-part of application No. 29/598,129, filed on Mar. 23, 2017.
- (60) Provisional application No. 62/485,683, filed on Apr. 14, 2017, provisional application No. 62/381,320, filed on Aug. 30, 2016.
- (51) **LOC (11) Cl.** **23-01**
- (52) **U.S. Cl.**
USPC **D23/201**
- (58) **Field of Classification Search**
USPC D23/201; D11/131; 239/17-23
CPC B05B 17/08; F21W 2121/02
See application file for complete search history.

(56) **References Cited**

U.S. PATENT DOCUMENTS

D420,423 S	2/2000	Blount	
6,527,197 B1	3/2003	Lin	
D497,659 S	10/2004	Bright et al.	
D503,833 S	4/2005	Bright et al.	
6,921,023 B1 *	7/2005	Bright	A01K 63/006 239/17
6,971,779 B2	12/2005	Tau et al.	
D582,509 S	12/2008	Konkle	
D640,344 S	6/2011	Hadi	
D689,978 S	9/2013	Mei Ying	

D697,580 S	1/2014	Hadi
D835,751 S	12/2018	McPeek
2018/0015428 A1	1/2018	Nardella

OTHER PUBLICATIONS

William Pye, Charybdis II, 2012, <http://www.williampye.com/works/charybdis-ii-oman>.
 William Pye, Caribdis, 2012, <http://www.williampya.com/works/caribdis>.
 William Pye, Aquabar, 2003, <http://www.williampya.com/works/aquabar>.
 William Pye, Mini Vortex, <http://www.williampya.com/works/mini-vortex>, site visited Jul. 27, 2017.

(Continued)

Primary Examiner — Robin V Webster
 (74) *Attorney, Agent, or Firm* — Standley Law Group LLP

(57) **CLAIM**

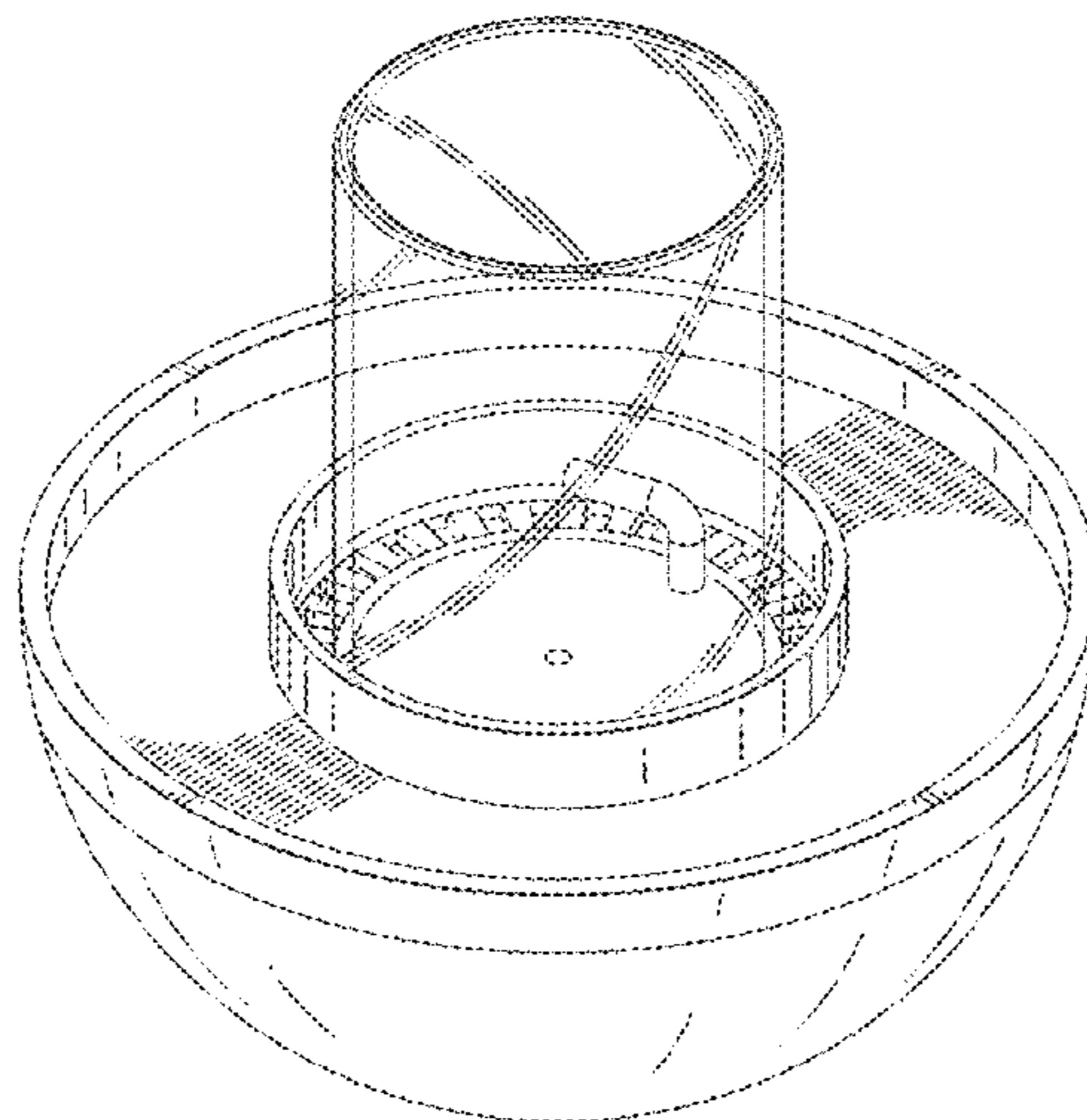
The ornamental design for a fountain, as shown and described above.

DESCRIPTION

FIG. 1 is a front perspective view of an exemplary fountain of the present invention;
 FIG. 2 is a front elevation view of the exemplary fountain of FIG. 1;
 FIG. 3 is a rear elevation view of the FIG. 1 embodiment;
 FIG. 4 is a right side view of the FIG. 1 embodiment;
 FIG. 5 is a left side view of the FIG. 1 embodiment;
 FIG. 6 is a top plan view of the FIG. 1 embodiment;
 FIG. 7 is a bottom plan view of the FIG. 1 embodiment;
 FIG. 8 is an exploded perspective view of the FIG. 1 embodiment; and,
 FIG. 9 is an environmental perspective view of the FIG. 1 embodiment.

The broken lines are for illustration only and form no part of the claimed design.

1 Claim, 9 Drawing Sheets



(56)

References Cited

OTHER PUBLICATIONS

William Pye, Scylla, 2001, <http://www.williampye.com/works/scylla>.

William Pye, Charybdis, 2000, <http://www.williampye.com/works/charybdis>.

* cited by examiner

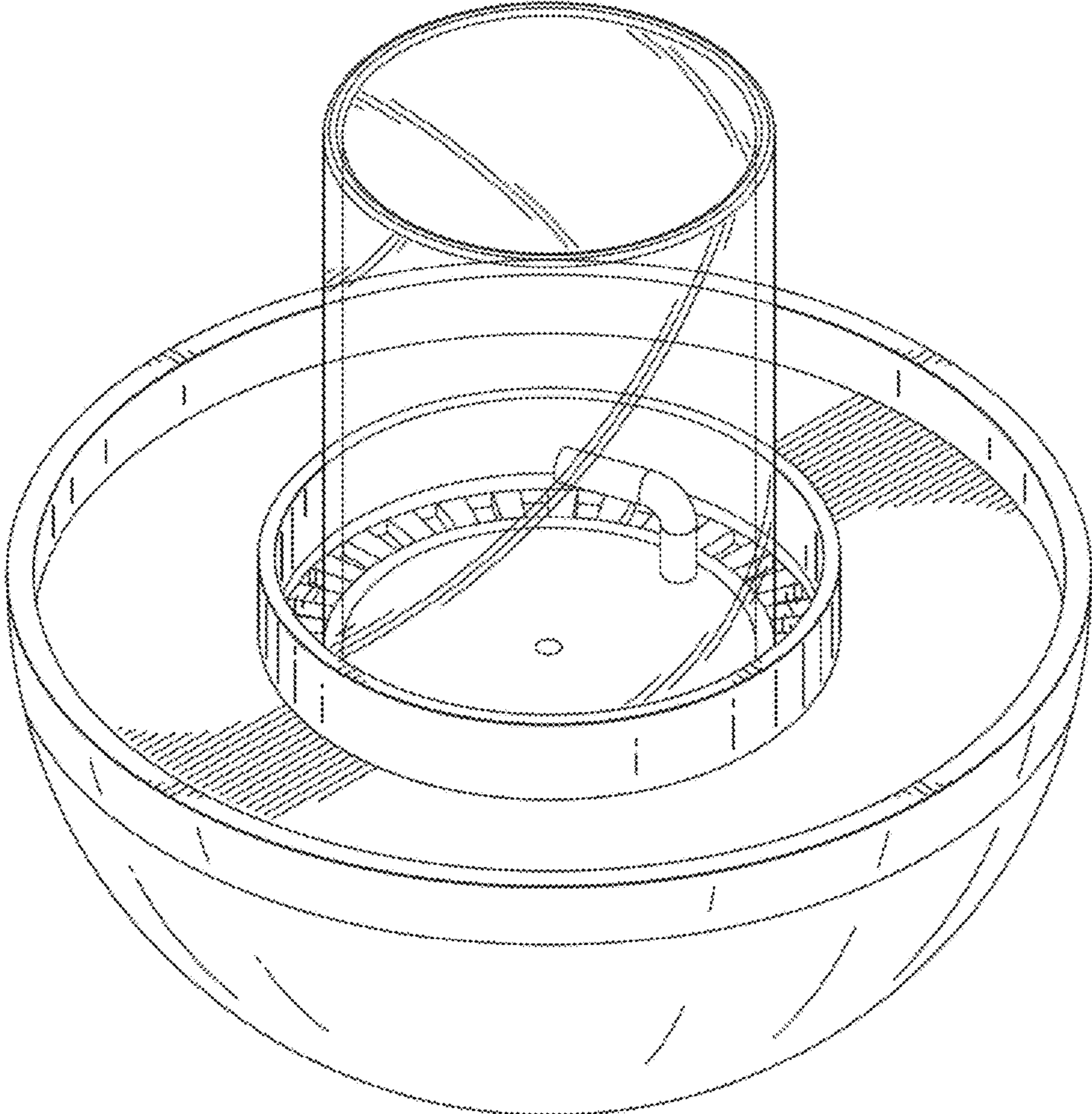


FIG. 1

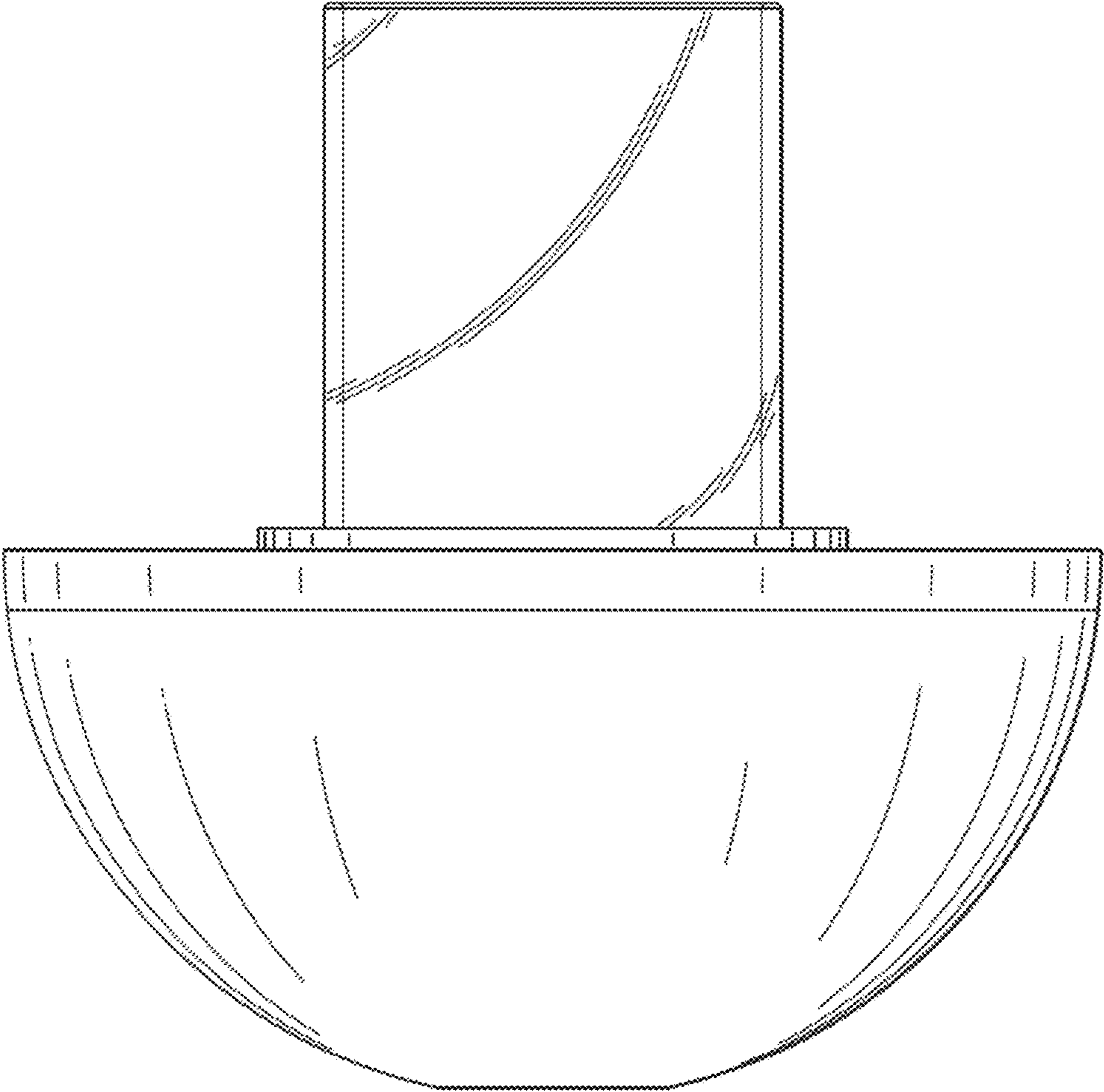


FIG. 2

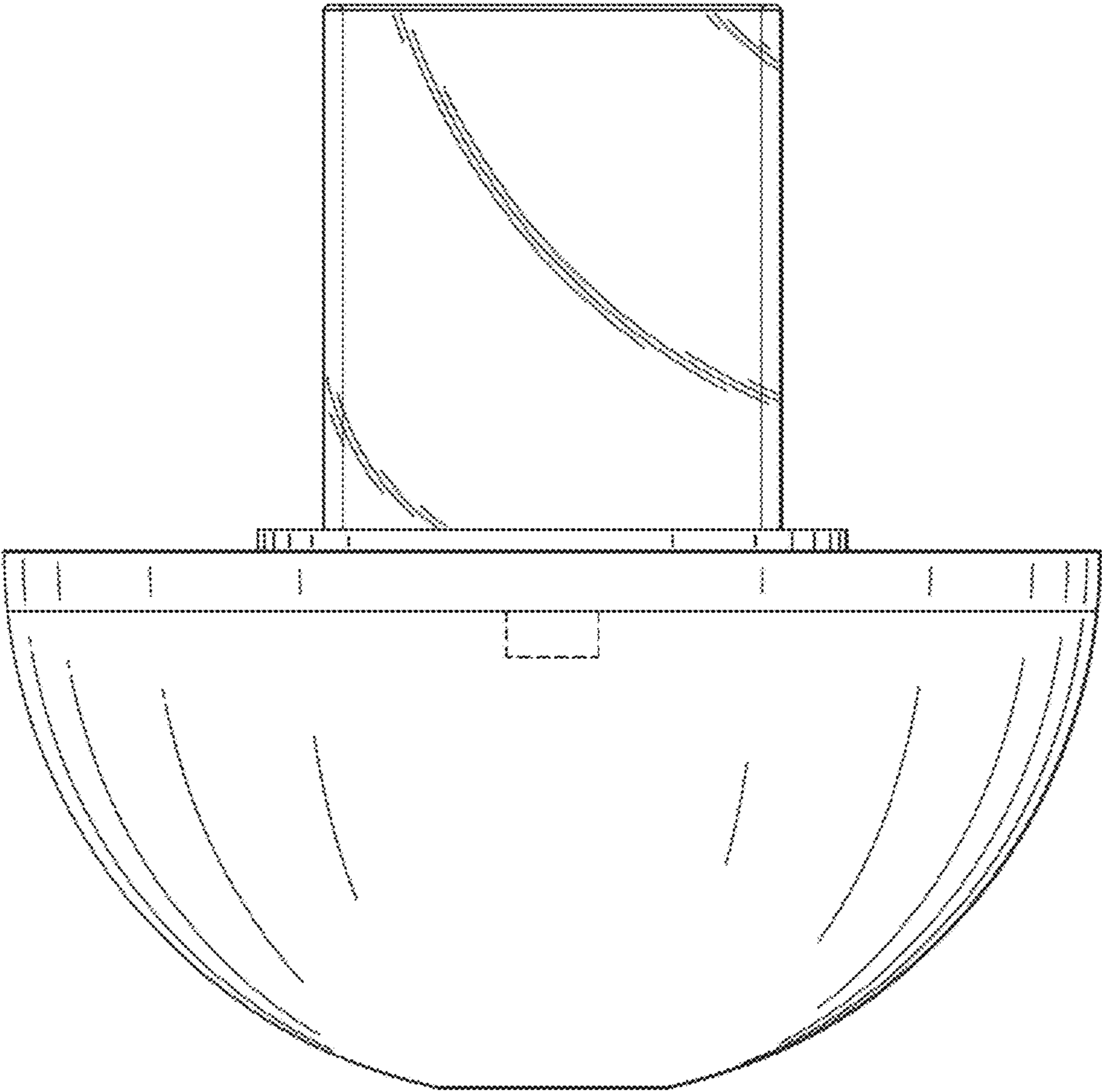


FIG. 3

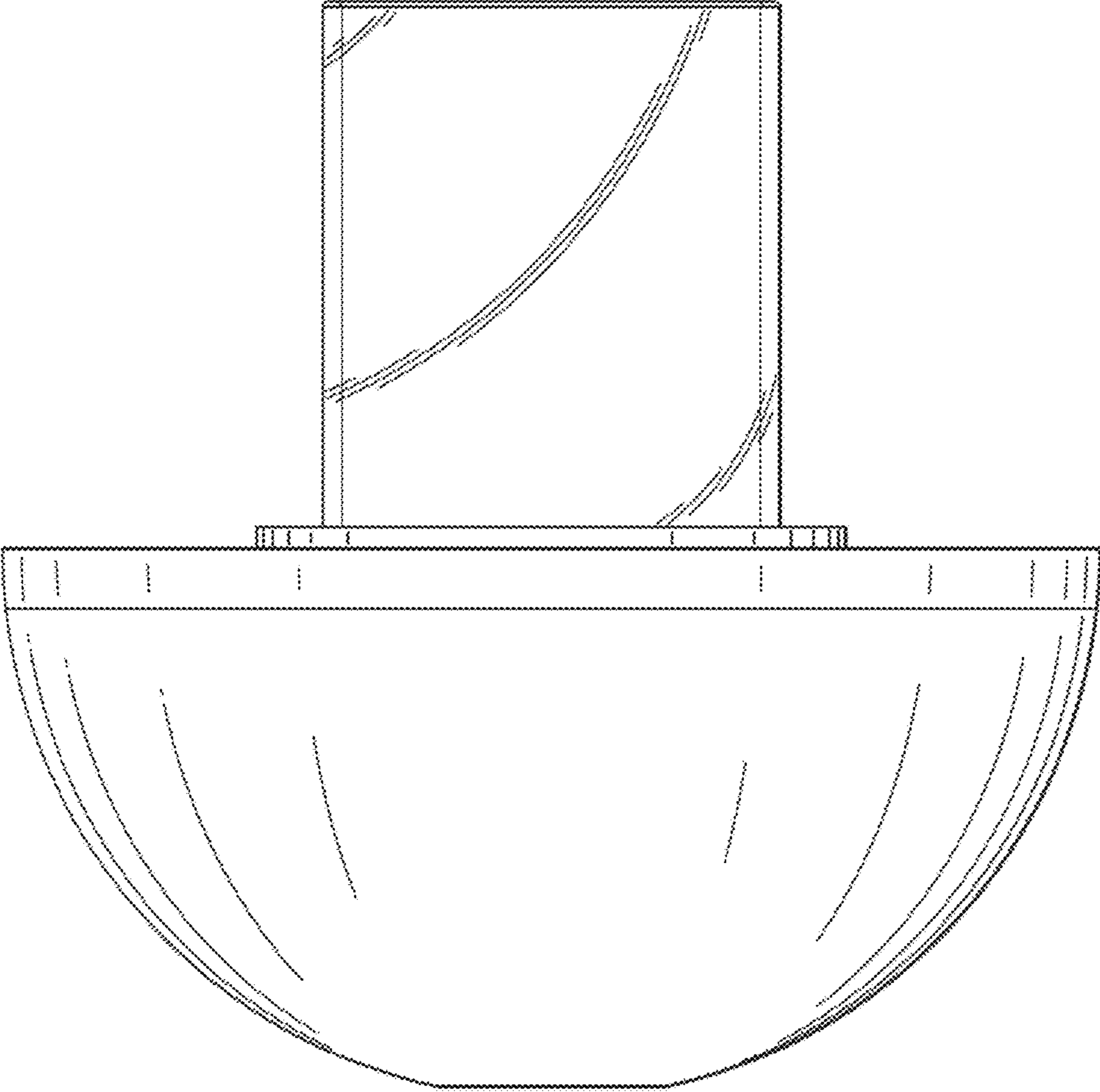


FIG. 4

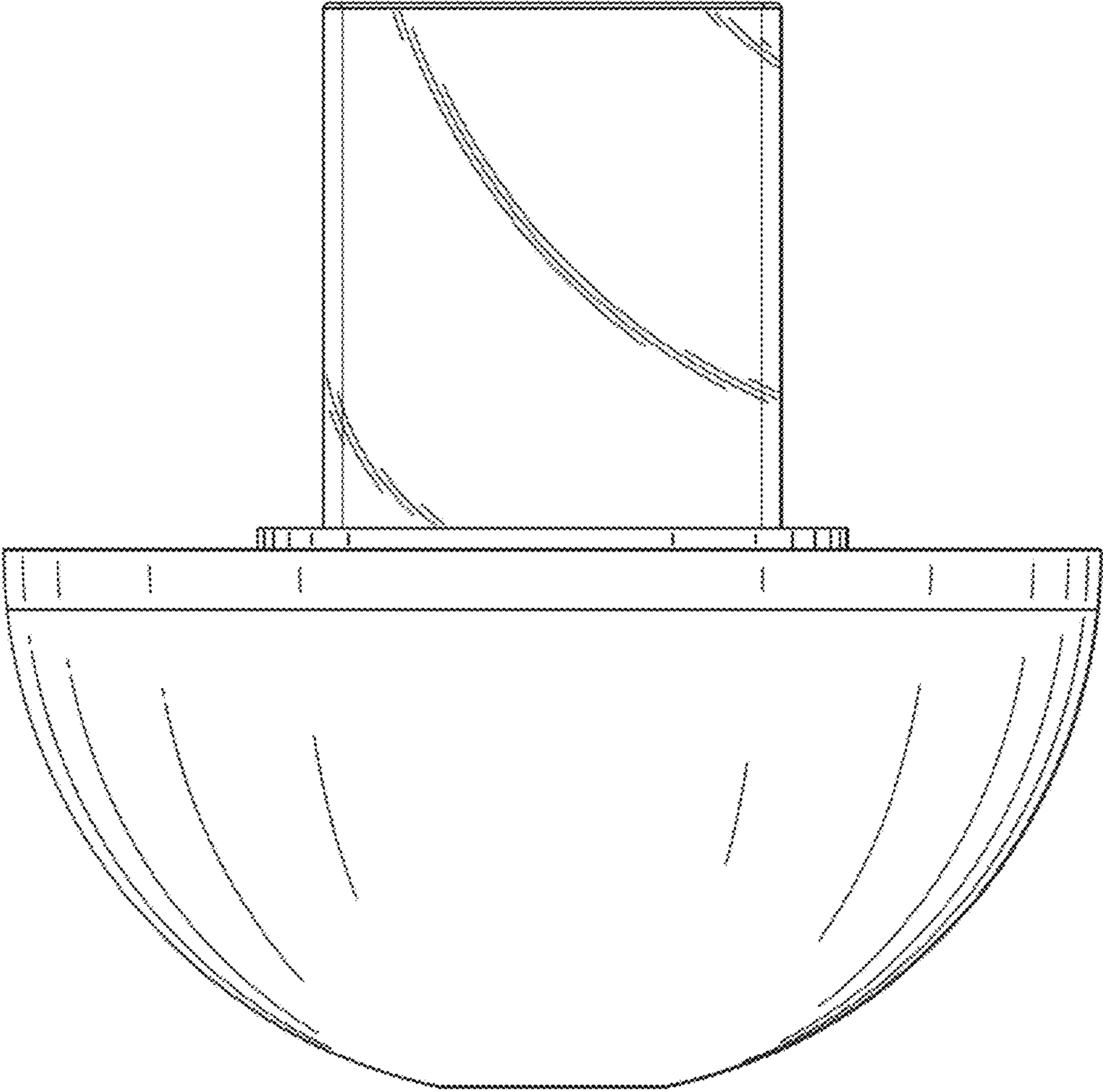


FIG. 5

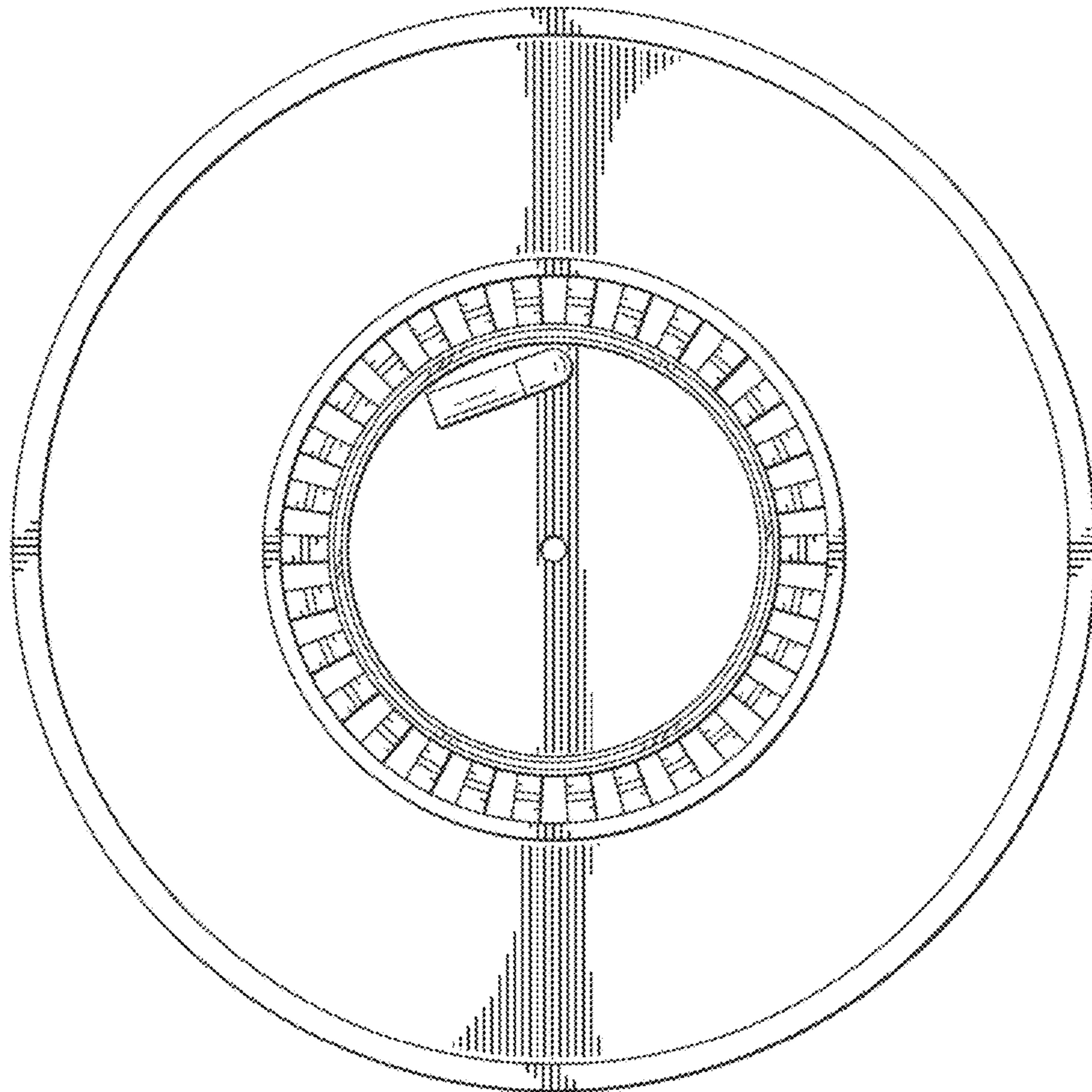


FIG. 6

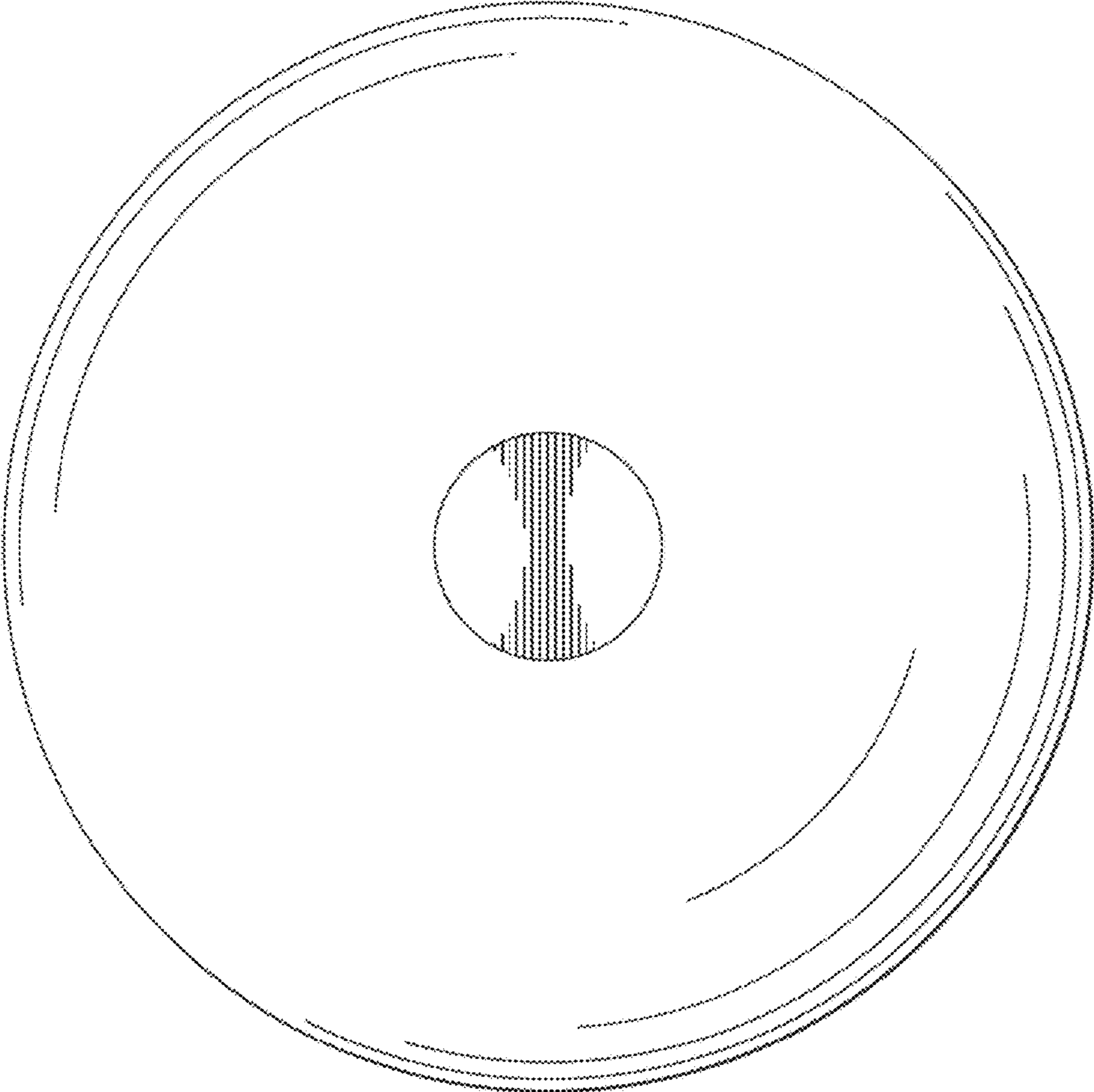


FIG. 7

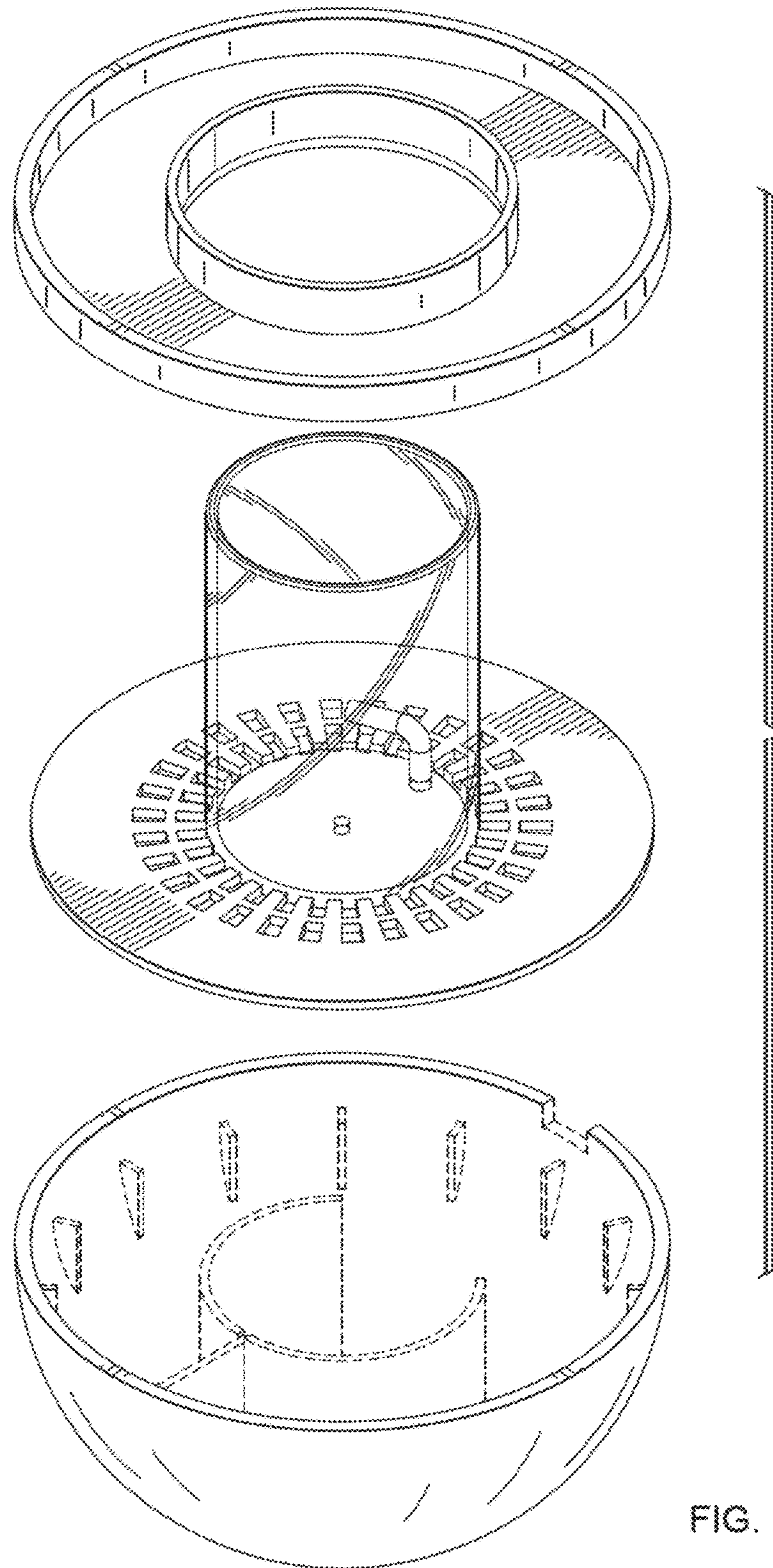


FIG. 8

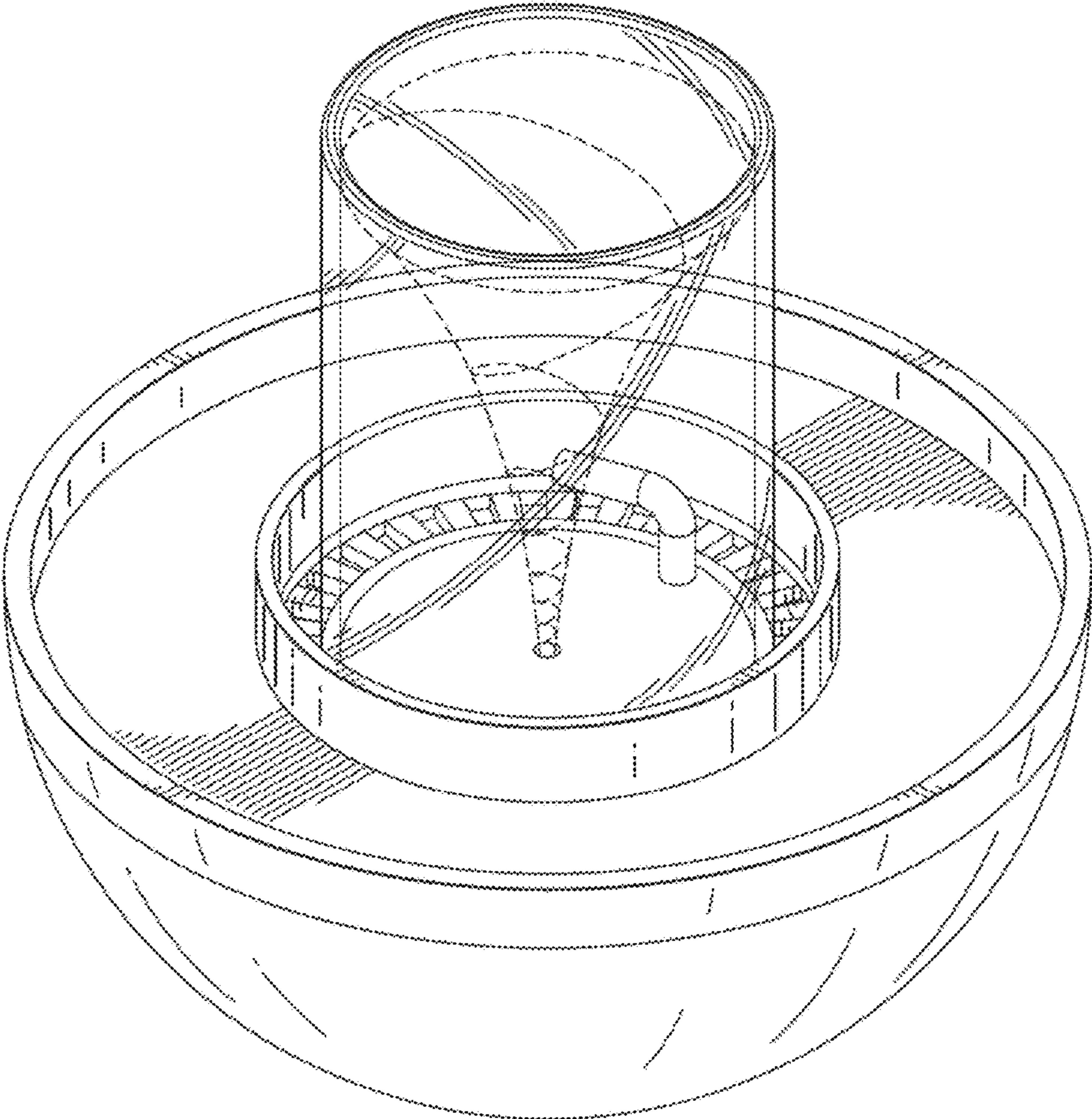


FIG. 9