



US00D847941S

(12) **United States Design Patent**
Kaihara

(10) **Patent No.:** **US D847,941 S**

(45) **Date of Patent:** **** May 7, 2019**

(54) **FISHING ROD GRIP**

D757,210 S * 5/2016 Kiyota D22/142
D767,087 S * 9/2016 Lin D22/142
D767,088 S * 9/2016 Lin D22/142

(71) Applicant: **Pure Fishing, Inc.**, Spirit Lake, IA
(US)

(72) Inventor: **Cameron Kaihara**, Cayce, SC (US)

(73) Assignee: **Pure Fishing, Inc.**, Spirit Lake, IA
(US)

(**) Term: **15 Years**

(21) Appl. No.: **29/634,072**

(22) Filed: **Jan. 18, 2018**

(51) **LOC (11) Cl.** **22-05**

(52) **U.S. Cl.**
USPC **D22/142**

(58) **Field of Classification Search**
USPC D22/142, 137-138; 43/21.2, 25.2, 22-23
CPC A01K 77/00; A01K 87/08; A01K 87/06;
A01K 97/06

See application file for complete search history.

(56) **References Cited**

U.S. PATENT DOCUMENTS

4,577,432	A	3/1986	Brackett et al.	
4,631,853	A	12/1986	Brackett et al.	
D299,735	S *	2/1989	Andreasen	D22/142
4,962,608	A	10/1990	Loomis et al.	
6,067,740	A *	5/2000	Alley	A01K 87/06 43/20
7,621,067	B2 *	11/2009	Ito	A01K 87/06 43/22
D638,905	S *	5/2011	Omura	D22/142
D672,428	S *	12/2012	Lin	D22/142
D672,429	S *	12/2012	Lin	D22/142
D749,189	S *	2/2016	Noraker	D22/142

OTHER PUBLICATIONS

http://www.tacklewarehouse.com/13_Fishing_Omen_Black_2_Casting_Rods/descpage-OB2.html, as early as Sep. 19, 2017.

* cited by examiner

Primary Examiner — Catherine R Oliver-Garcia

(74) *Attorney, Agent, or Firm* — Husch Blackwell LLP

(57) **CLAIM**

The ornamental design for a fishing rod grip, as shown and described.

DESCRIPTION

FIG. 1 is a perspective view of a fishing rod grip showing the new design;

FIG. 2 is a left side view of the fishing rod grip of FIG. 1; FIG. 3 is a right side view of the fishing rod grip shown in FIG. 1;

FIG. 4 is a front view of the fishing rod grip shown in FIG. 1;

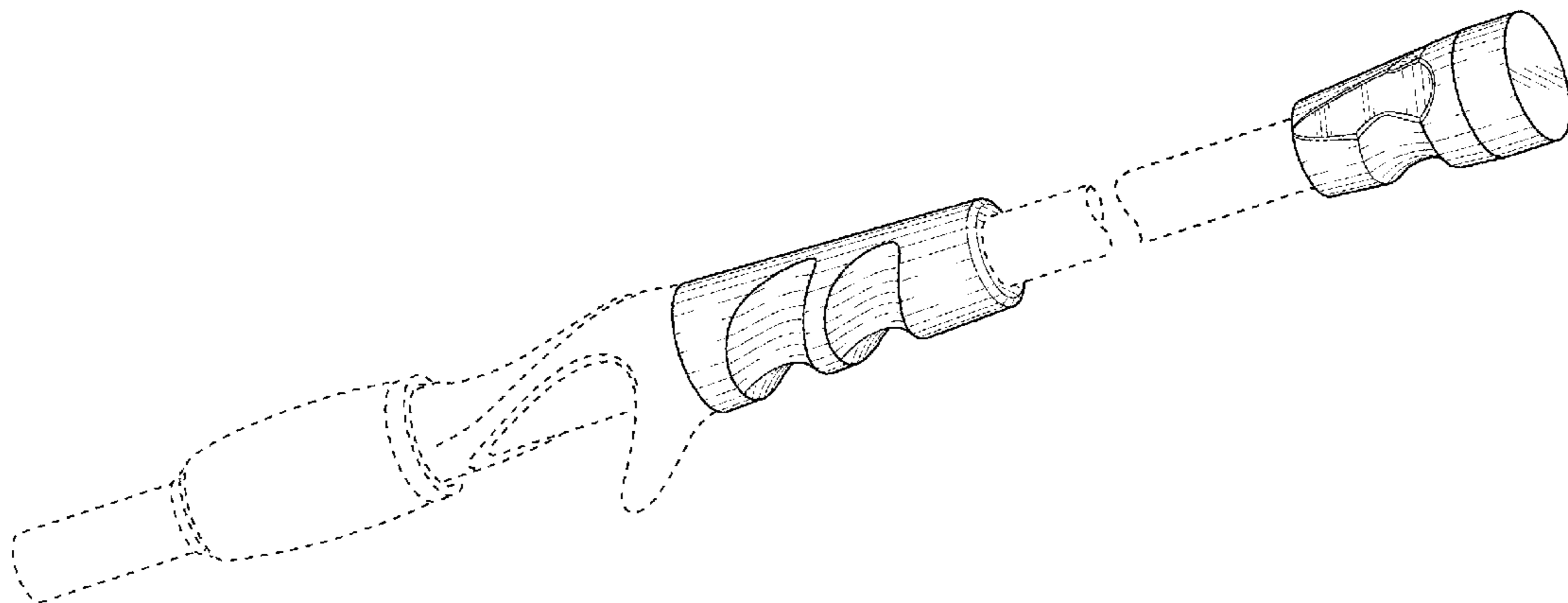
FIG. 5 is a rear view of the fishing rod grip shown in FIG. 1;

FIG. 6 is a top view of the fishing rod grip shown in FIG. 1; and,

FIG. 7 is a bottom view of the fishing rod grip shown in FIG. 1.

The broken lines in the figures illustrate unclaimed environment and form no part of the claimed design.

1 Claim, 4 Drawing Sheets



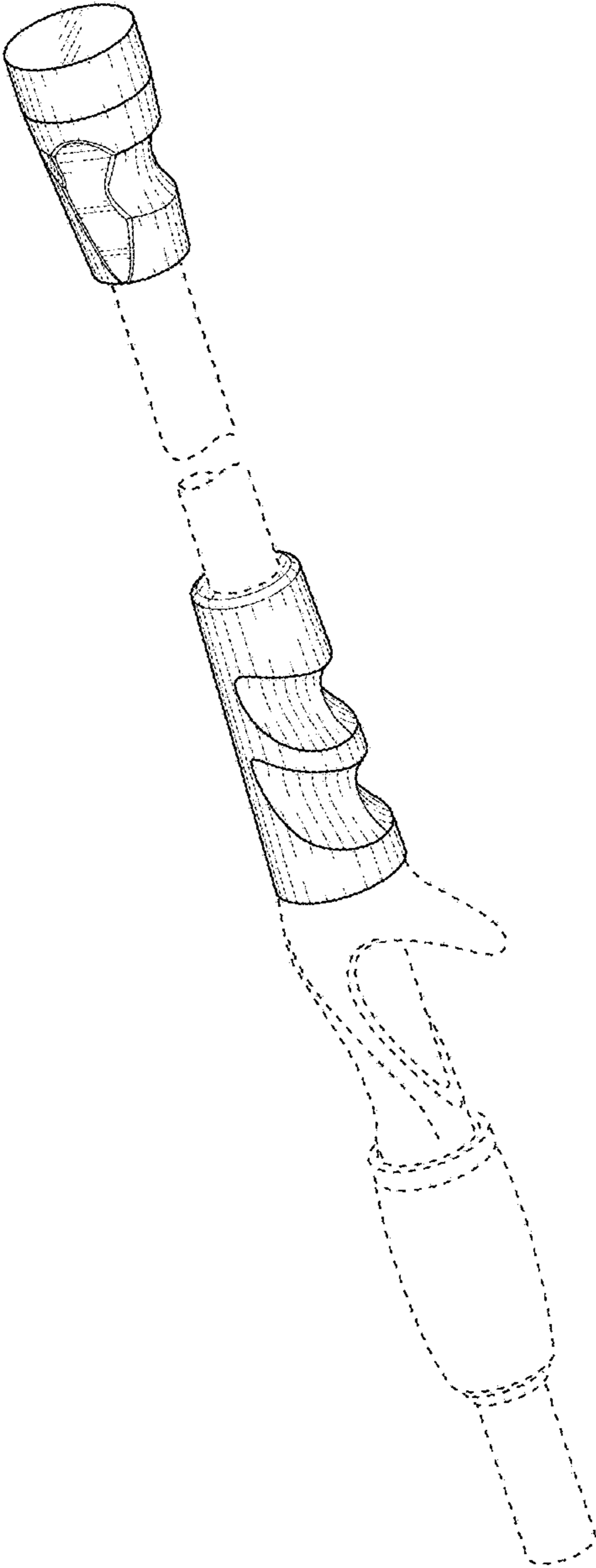


FIG. 1

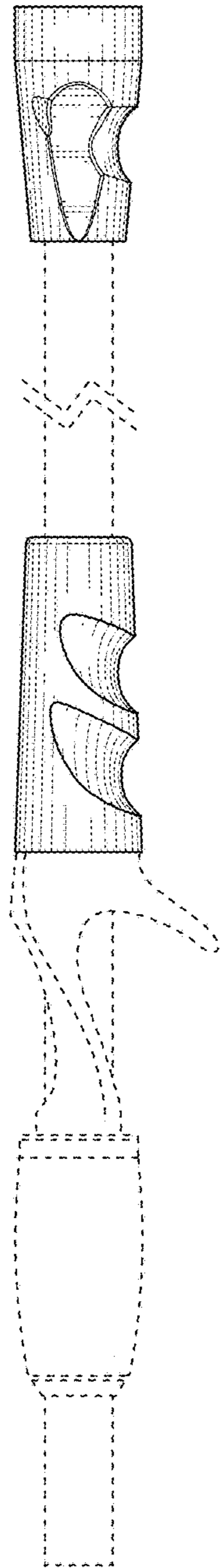


FIG. 2

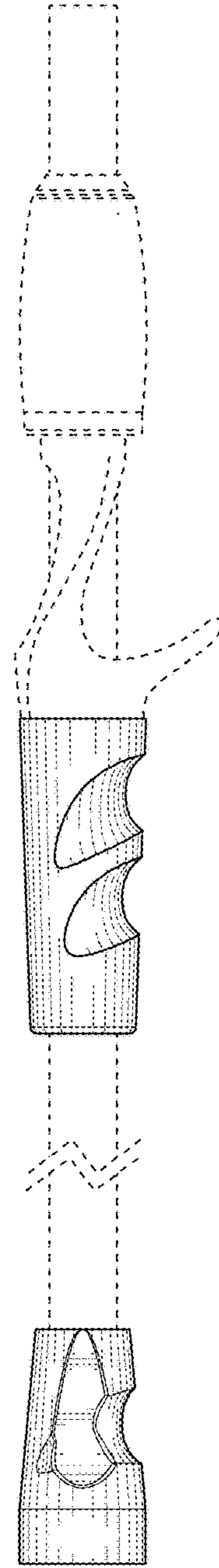


FIG. 3

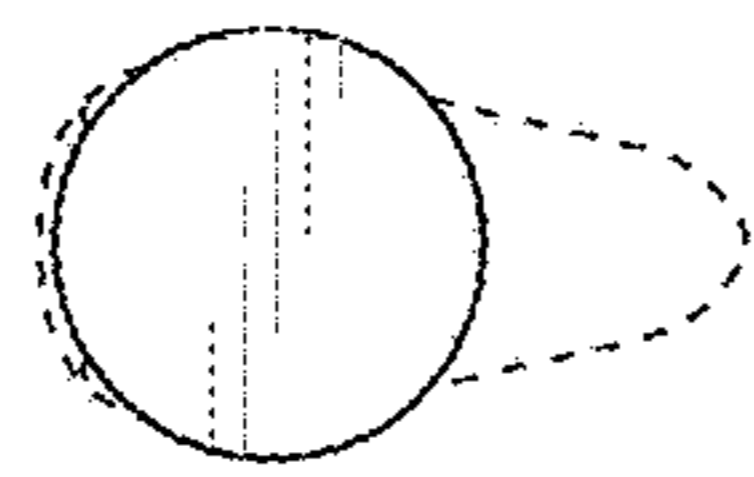


FIG. 4

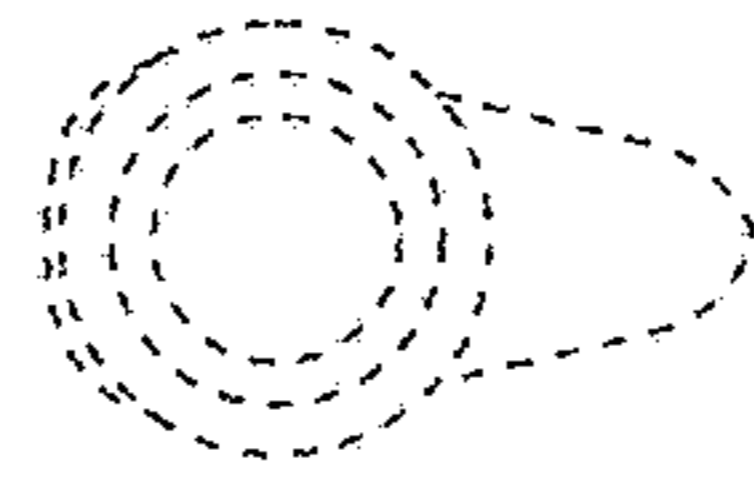


FIG. 5

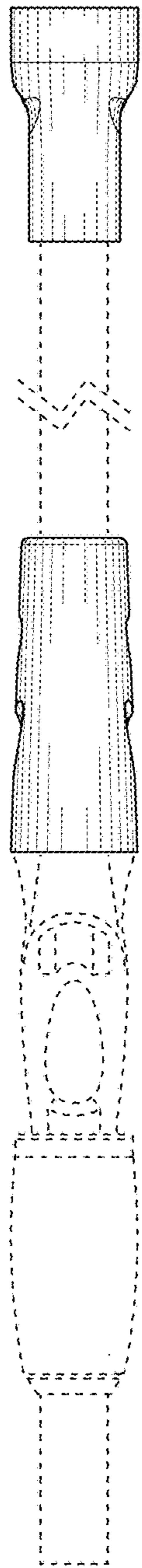


FIG. 6

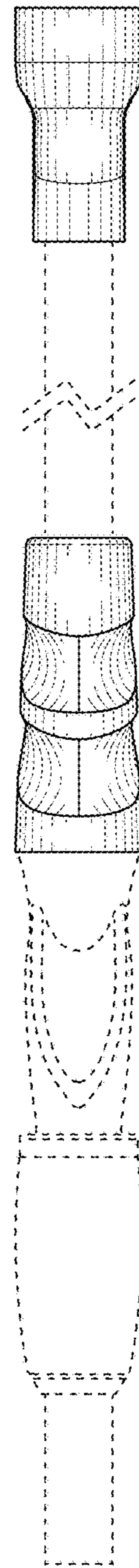


FIG. 7