

US00D847940S

(12) **United States Design Patent**
Murray et al.

(10) **Patent No.:** **US D847,940 S**
(45) **Date of Patent:** **** May 7, 2019**

- (54) **HAND FISHING REEL WITH INTERNAL STORAGE FOR TACKLE**
- (71) Applicants: **Ryan Murray**, San Francisco, CA (US); **Sarah Cusenza**, San Francisco, CA (US)

4,727,671 A 3/1988 Archer
 4,728,052 A 3/1988 Yeh
 4,920,683 A * 5/1990 Weber A01K 97/06
 5,092,075 A 3/1992 Campos
 (Continued)
 43/25.2

- (72) Inventors: **Ryan Murray**, San Francisco, CA (US); **Sarah Cusenza**, San Francisco, CA (US)

FOREIGN PATENT DOCUMENTS

GB 713404 A 8/1954
Primary Examiner — Catherine R Oliver-Garcia
 (74) *Attorney, Agent, or Firm* — Shifrin Patent Law; Dan Shifrin

- (**) **Term:** **15 Years**
- (21) **Appl. No.:** **29/593,146**
- (22) **Filed:** **Feb. 6, 2017**

(57) **CLAIM**
 The ornamental design for a hand fishing reel with internal storage for tackle, as substantially shown and described.

Related U.S. Application Data

- (63) Continuation-in-part of application No. 29/525,069, filed on Apr. 27, 2015, now abandoned.
- (51) **LOC (11) Cl.** **22-05**
- (52) **U.S. Cl.**
USPC **D22/138**
- (58) **Field of Classification Search**
USPC D22/138-139, 134; 242/224, 387, 905; 43/25.2, 26, 54.1; 206/315.11
CPC A01K 89/08; A01K 97/06; A01K 97/08
See application file for complete search history.

DESCRIPTION

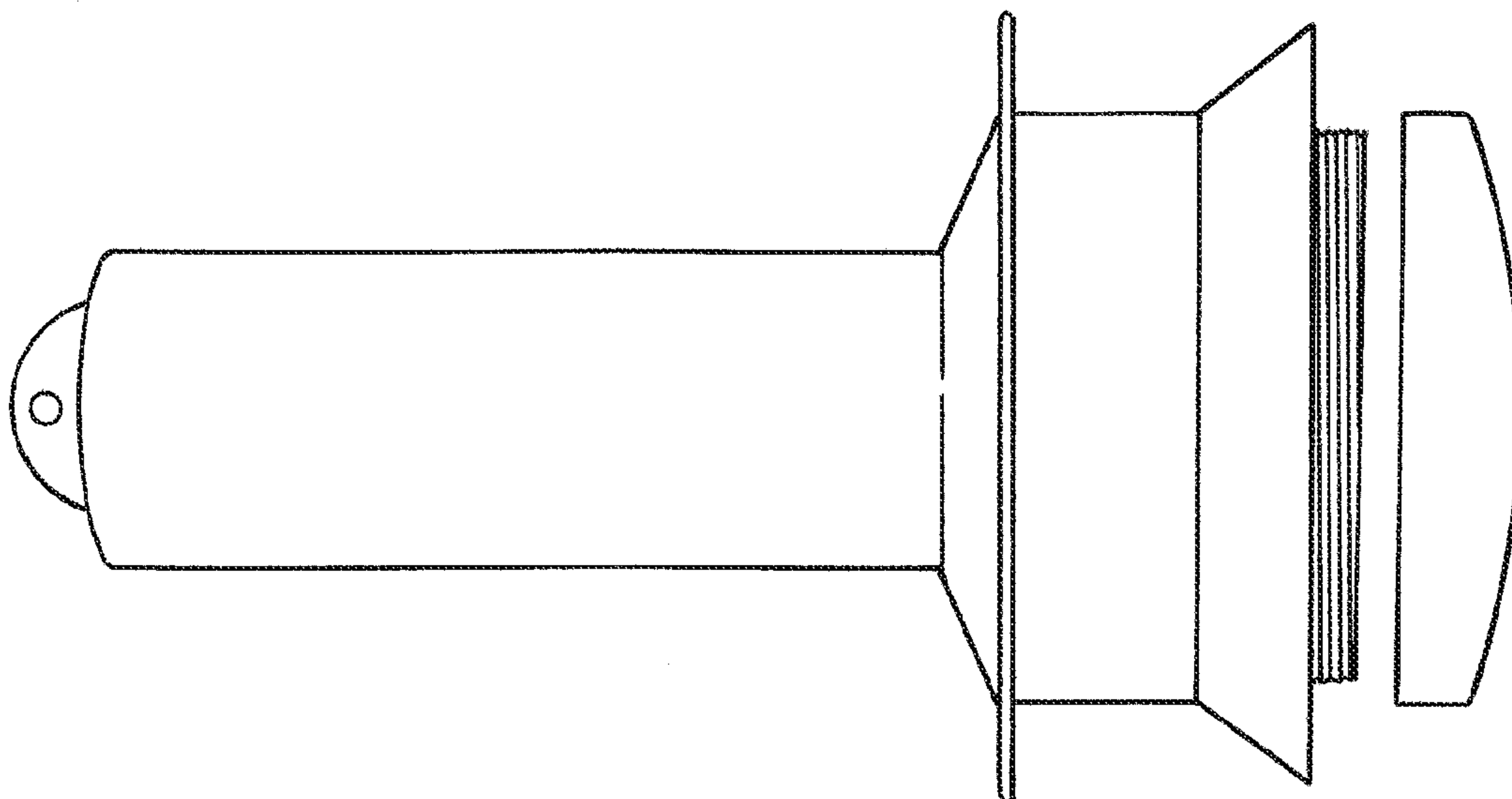
FIG. 1 is a right side elevation view of the hand fishing reel with internal storage for tackle of the present invention, with the cap shown in place, the left side elevation view being a mirror image thereof;
 FIG. 2 is a cross sectional view shown along line 2-2 of FIG. 1;
 FIG. 3 is a right side elevation view with the cap shown removed, the left side elevation view being a mirror image thereof;
 FIG. 4 is a front elevation view, with the cap shown in place;
 FIG. 5 is a front elevation view, with the cap shown removed;
 FIG. 6 is a rear elevation view;
 FIG. 7 is a front elevation view of the cap;
 FIG. 8 is a rear elevation view of the cap; and,
 FIG. 9 is a top plan view, with the cap shown in place, the bottom plan view being a mirror image thereof.
 Broken and dotted lines in the Figures are for the purpose of illustrating portions of the hand fishing reel with internal storage for tackle and form no part of the claimed design.

(56) **References Cited**

U.S. PATENT DOCUMENTS

357,206 A * 2/1887 Kamp A01K 97/06
 206/315.11
 3,010,673 A 11/1961 Marconi
 3,179,351 A 4/1965 Ehlert
 3,641,695 A 2/1972 Zenick
 3,987,574 A * 10/1976 Pennino A01K 97/06
 43/26
 4,082,235 A 4/1978 Dauvergne

1 Claim, 4 Drawing Sheets



(56)

References Cited

U.S. PATENT DOCUMENTS

5,297,676	A *	3/1994	Coleman	A01K 97/06 206/315.11
5,502,916	A *	4/1996	Krewson, Jr.	A01K 97/06 43/25.2
5,515,640	A *	5/1996	Cosby	A01K 97/06 43/25.2
5,967,315	A *	10/1999	Langtry, II	A01K 97/06 206/315.11
D505,178	S	5/2005	Smyth	
8,434,257	B2	5/2013	Arias et al.	
D706,384	S	6/2014	Russell	
2013/0153591	A1	6/2013	Grimes	
2014/0237887	A1	8/2014	Grimes	

* cited by examiner

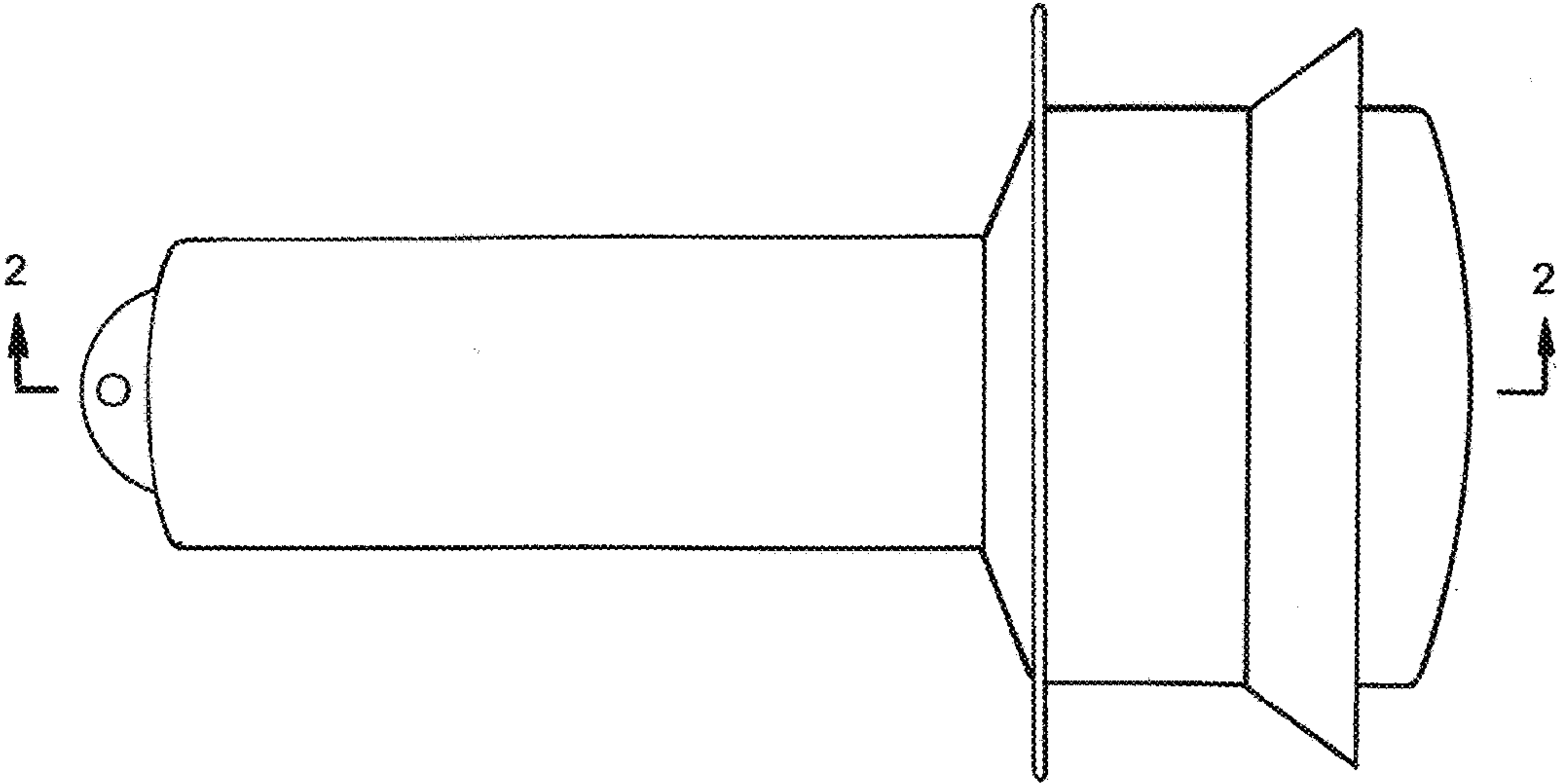


FIG.1

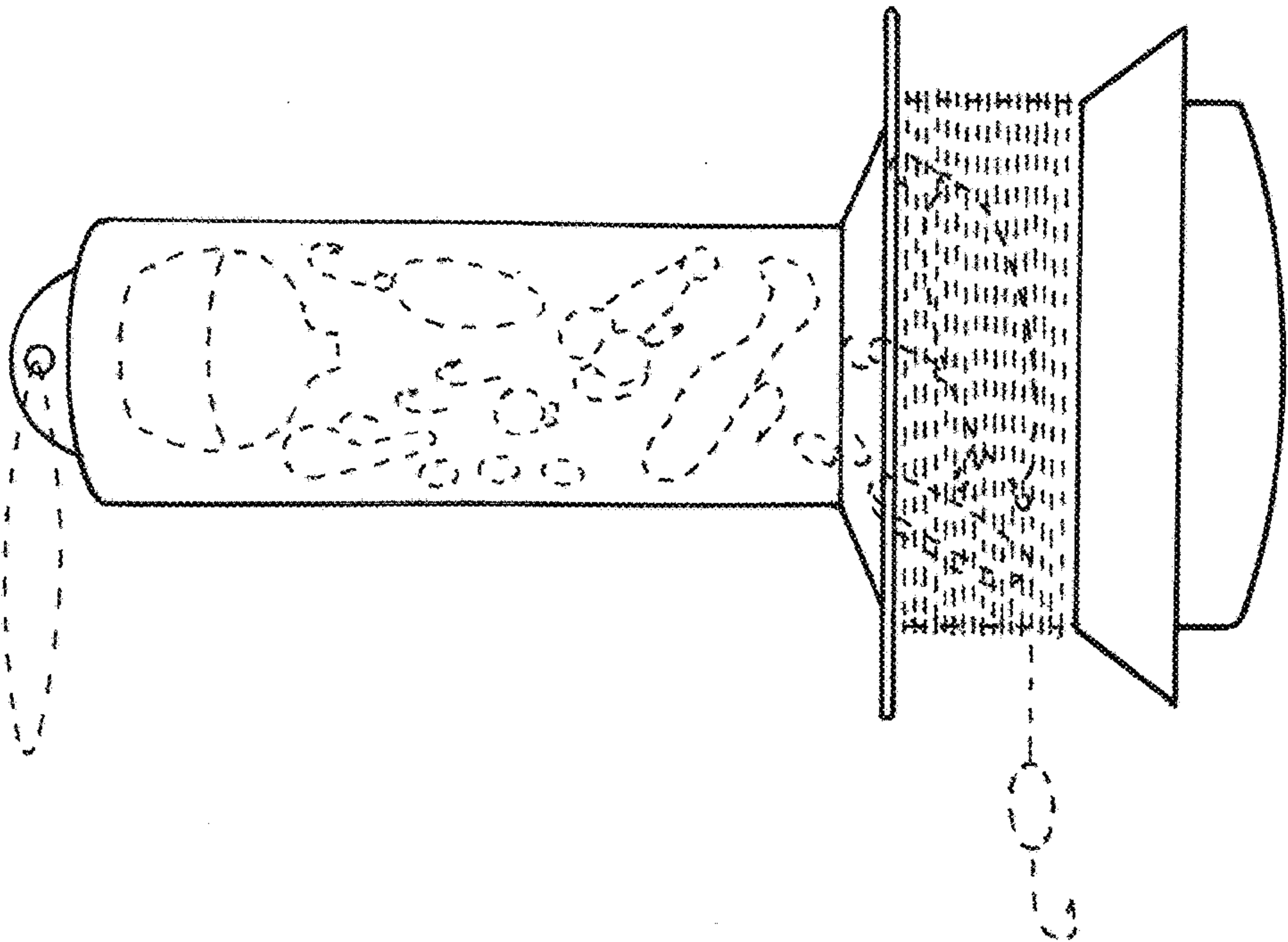


FIG.2

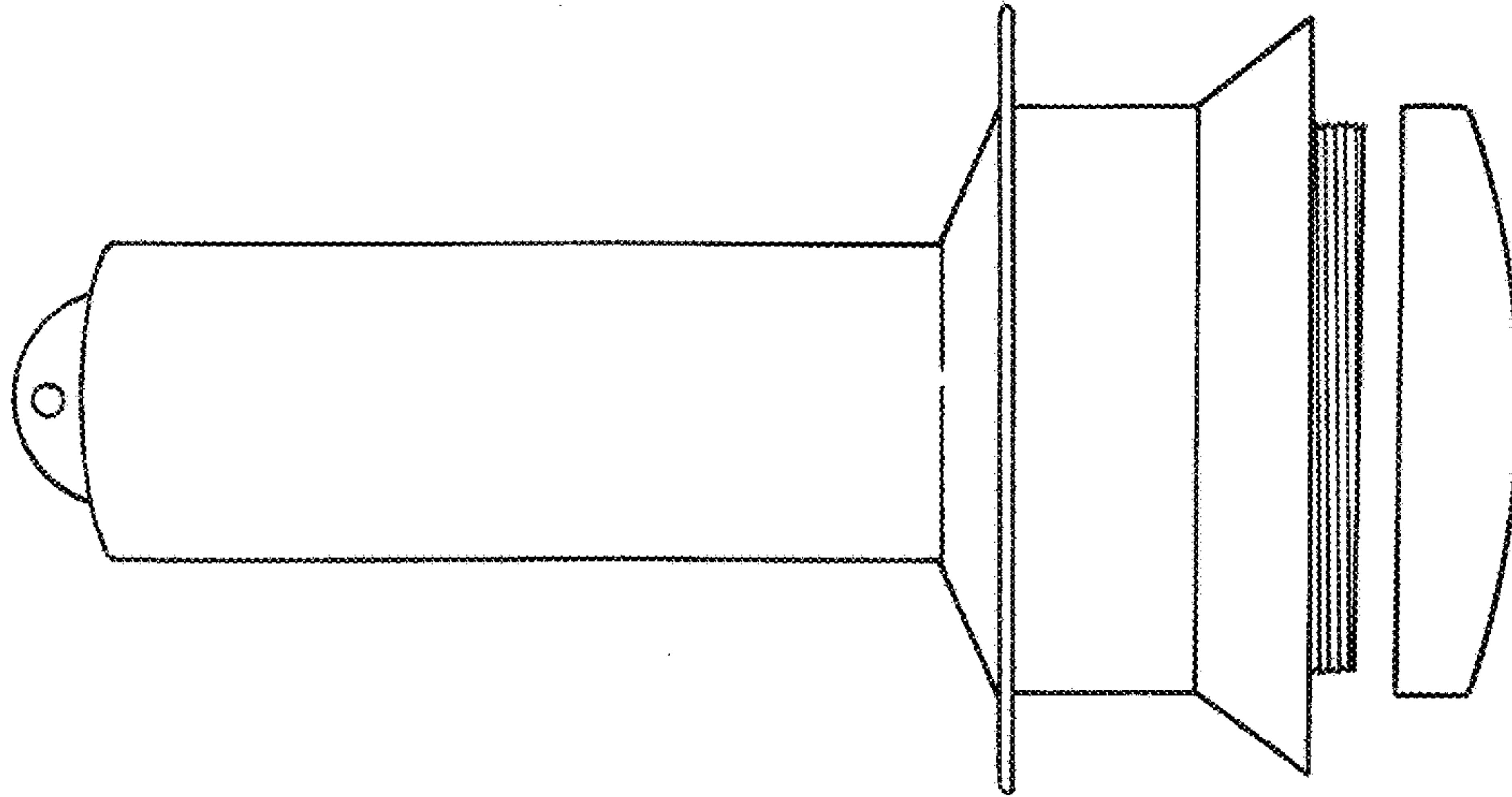


FIG.3

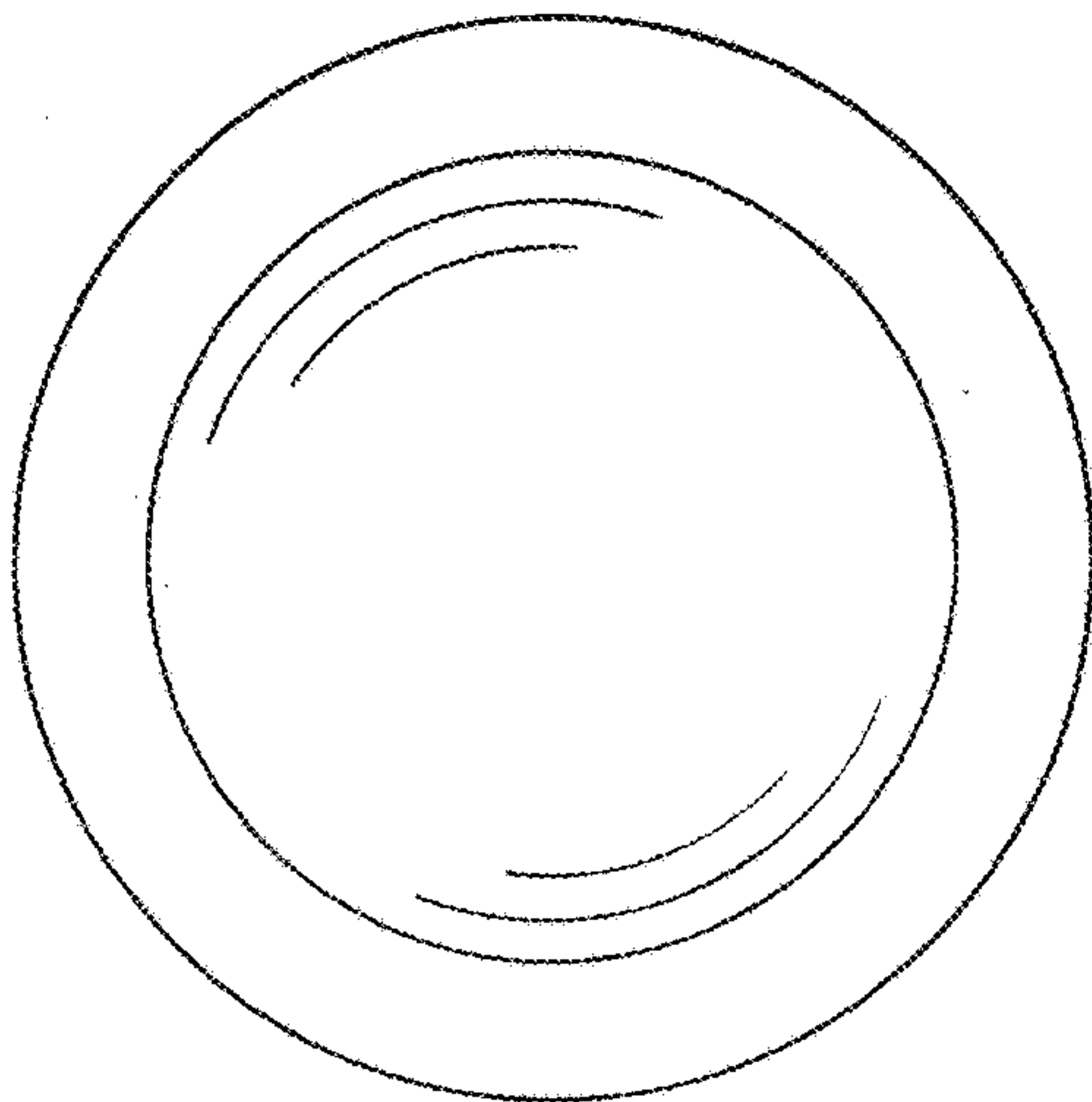


FIG.4

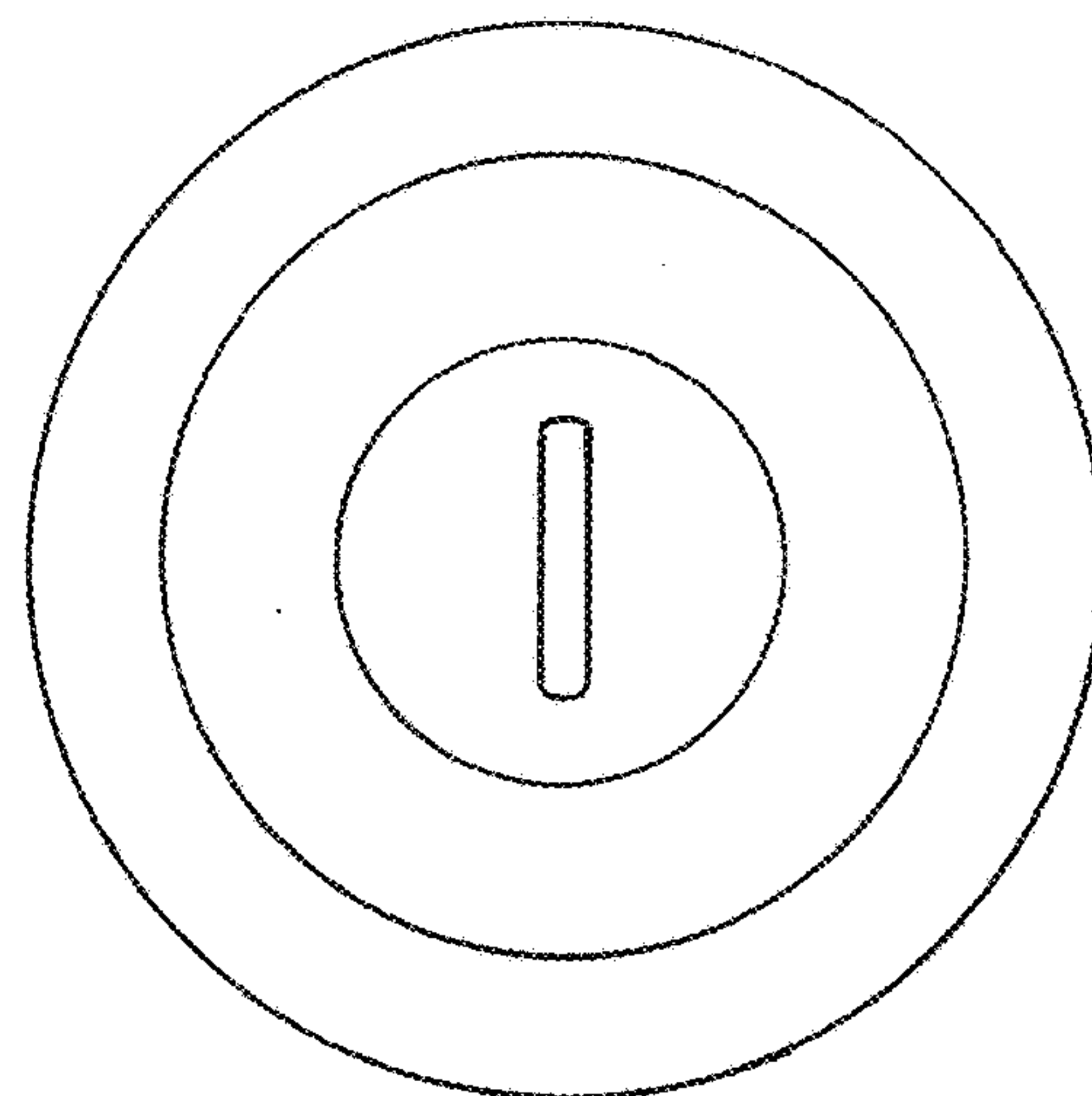


FIG.5

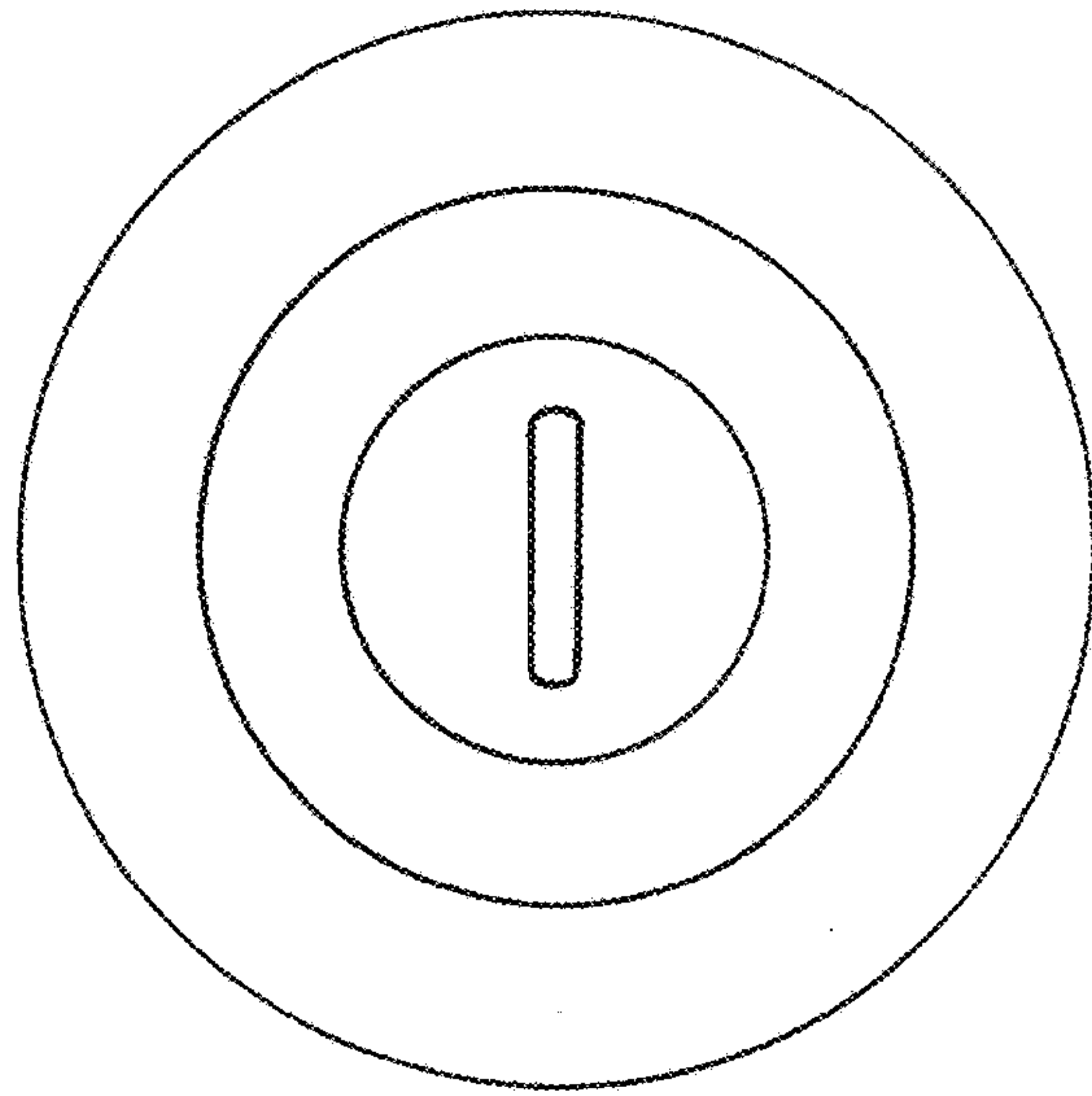


FIG. 6

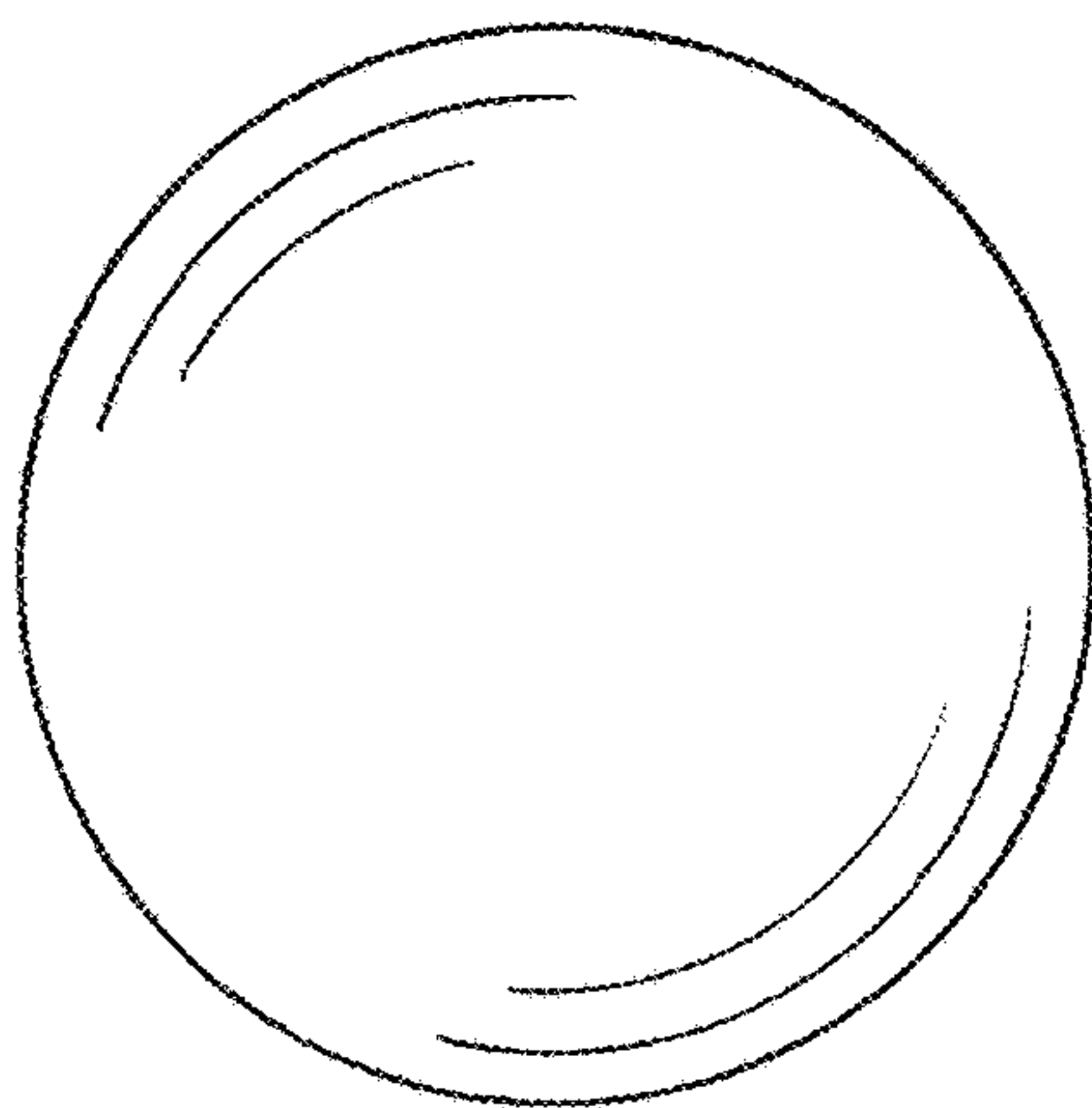


FIG. 7

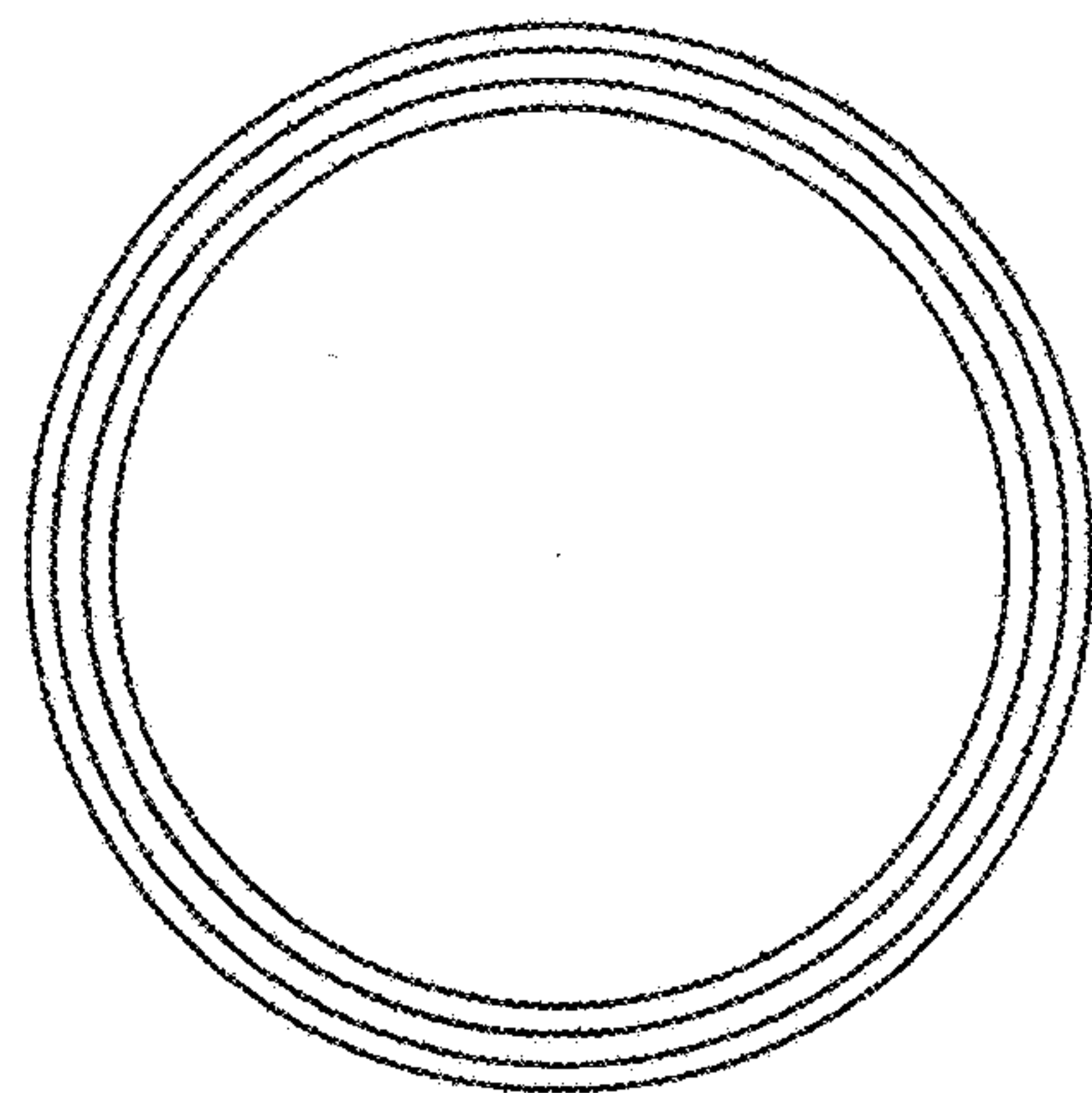


FIG. 8

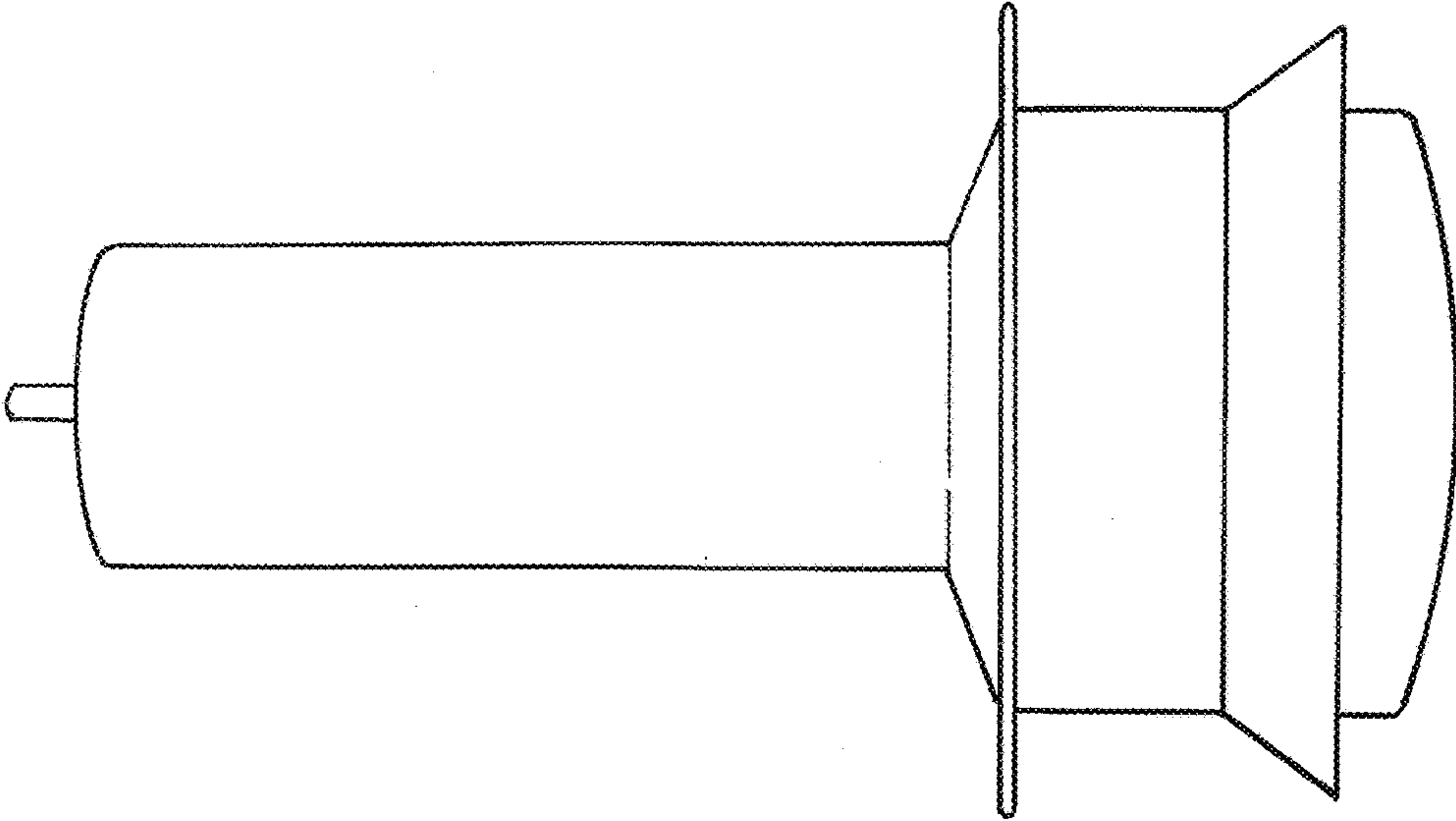


FIG.9