



US00D847938S

(12) **United States Design Patent** (10) **Patent No.:** **US D847,938 S**
Tsai (45) **Date of Patent:** **** May 7, 2019**

(54) **KNIFE HANDLE**
(71) Applicant: **Havel's Inc.**, Cincinnati, OH (US)
(72) Inventor: **Wu Hsien Tsai**, Dist New Taipei (TW)
(73) Assignee: **Havel's Inc.**, Cincinnati, OH (US)
(**) Term: **15 Years**
(21) Appl. No.: **29/632,845**
(22) Filed: **Jan. 10, 2018**
(51) **LOC (11) Cl.** **22-02**
(52) **U.S. Cl.**
USPC **D22/118**
(58) **Field of Classification Search**
USPC D22/117-120; D8/95-99, 107;
30/151-155, 160-161, 294, 329,
30/333-334; D7/649, 401.2
CPC B26B 1/00; B26B 1/042; B26B 1/044;
B26B 1/048; B26B 3/06
See application file for complete search history.

(56) **References Cited**
U.S. PATENT DOCUMENTS
D473,917 S * 4/2003 Carter, III D22/118
D636,052 S * 4/2011 Freeman D22/118
D636,053 S * 4/2011 Freeman D22/118
D661,367 S * 6/2012 Seeds D22/118
D815,490 S * 4/2018 Constantine D7/401.2
D827,085 S * 8/2018 Lu D22/118

* cited by examiner

Primary Examiner — Catherine R Oliver-Garcia
(74) *Attorney, Agent, or Firm* — Wood Herron & Evans LLP

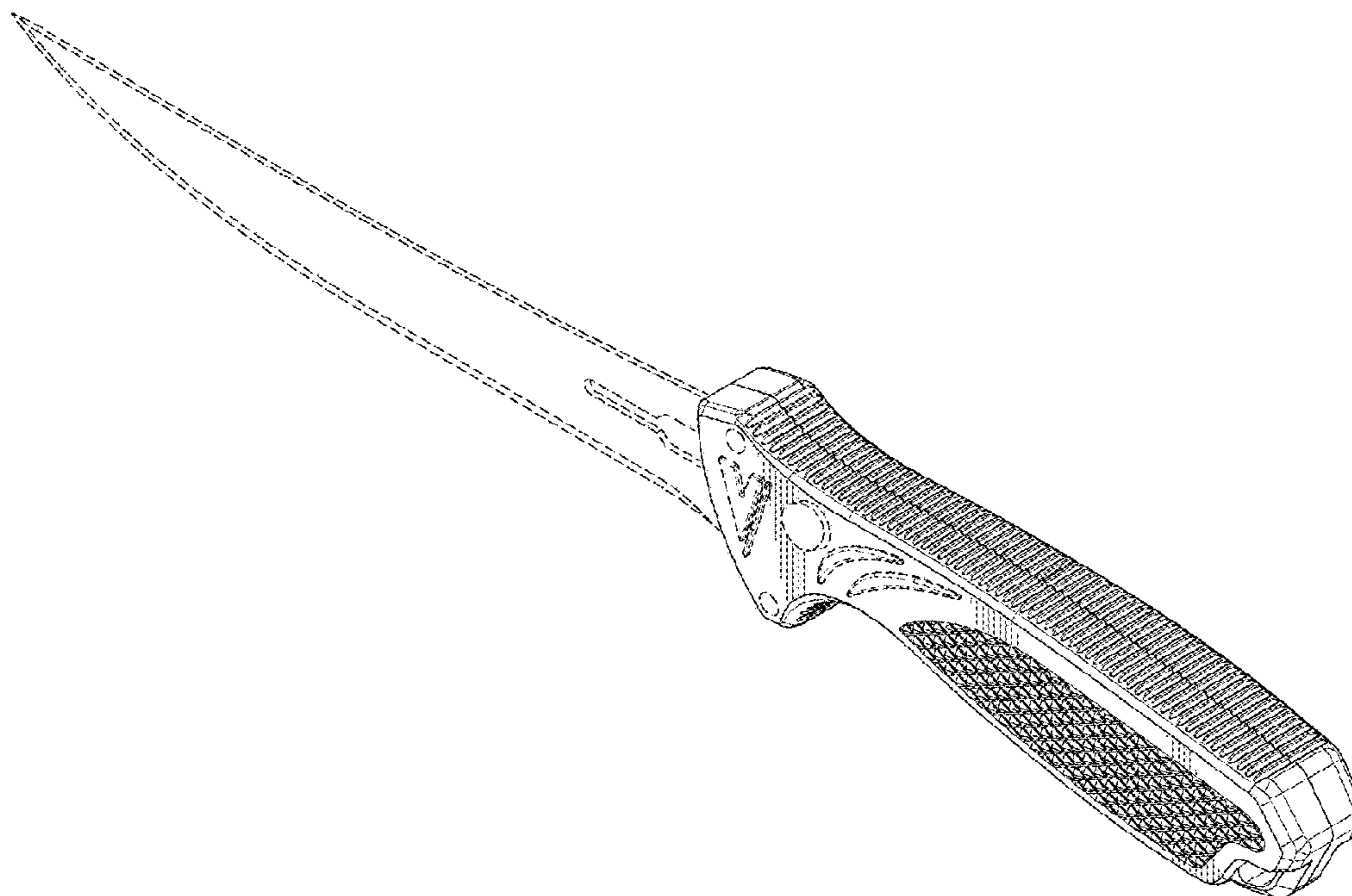
(57) **CLAIM**

The ornamental design for a knife handle, as shown and described.

DESCRIPTION

FIG. 1 is a left top rear perspective view of one embodiment of my new, original, and ornamental design for a knife handle.
FIG. 2 is a left bottom front perspective view thereof.
FIG. 3 is a left side view thereof.
FIG. 4 is a right side view thereof.
FIG. 5 is a top view thereof.
FIG. 6 is a bottom view thereof.
FIG. 7 is a front view thereof.
FIG. 8 is a rear view thereof.
FIG. 9 is a left top rear perspective view of another embodiment of my new, original, and ornamental design for a knife handle.
FIG. 10 is a left side view thereof; and,
FIG. 11 is a right side view thereof.
The dashed lines represent environment, unclaimed portions of the design, and/or unclaimed boundaries of the design, and form no part of the claimed design. The unshown portions of the article form no part of the claimed design.

1 Claim, 7 Drawing Sheets



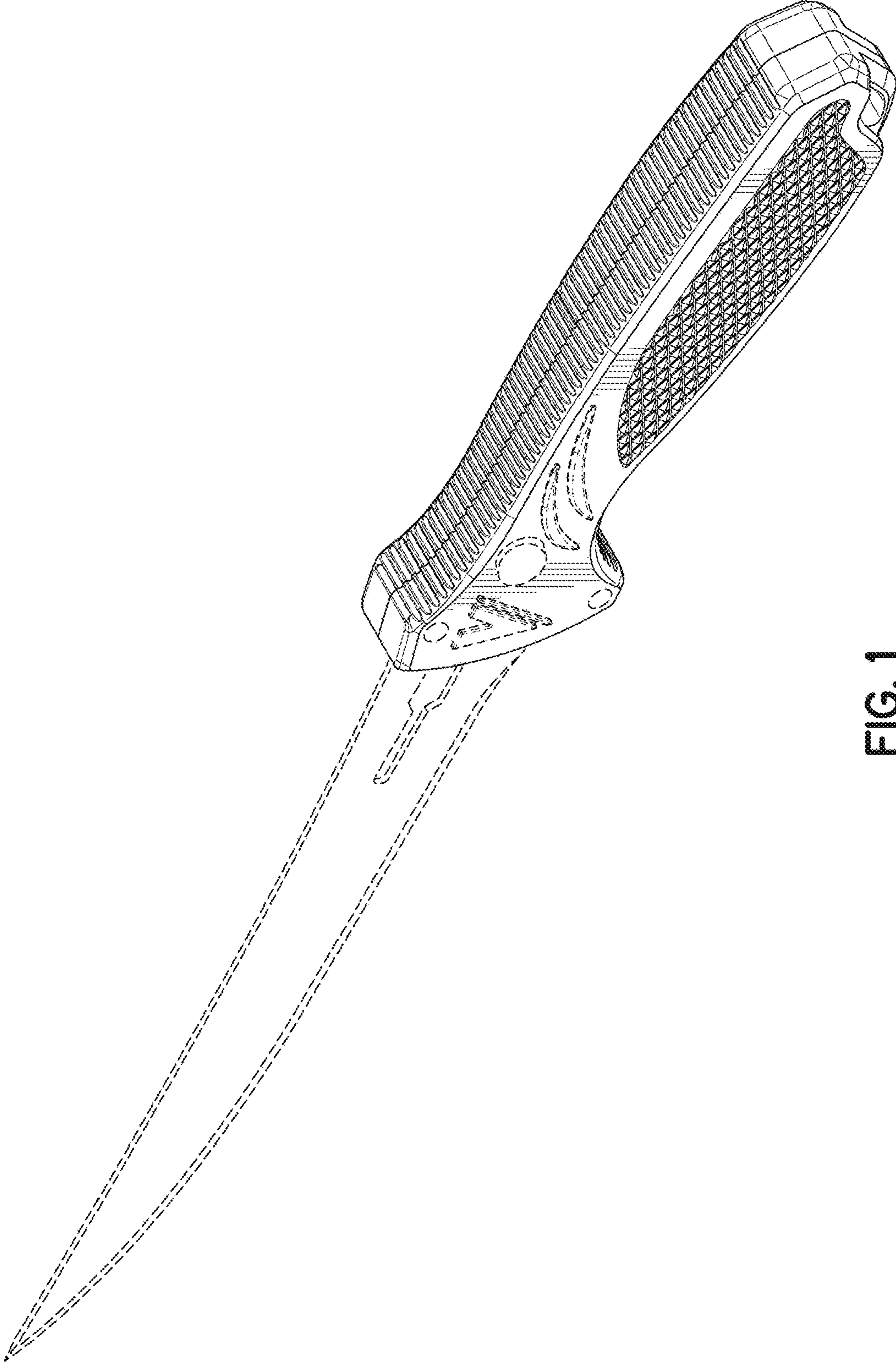


FIG. 1

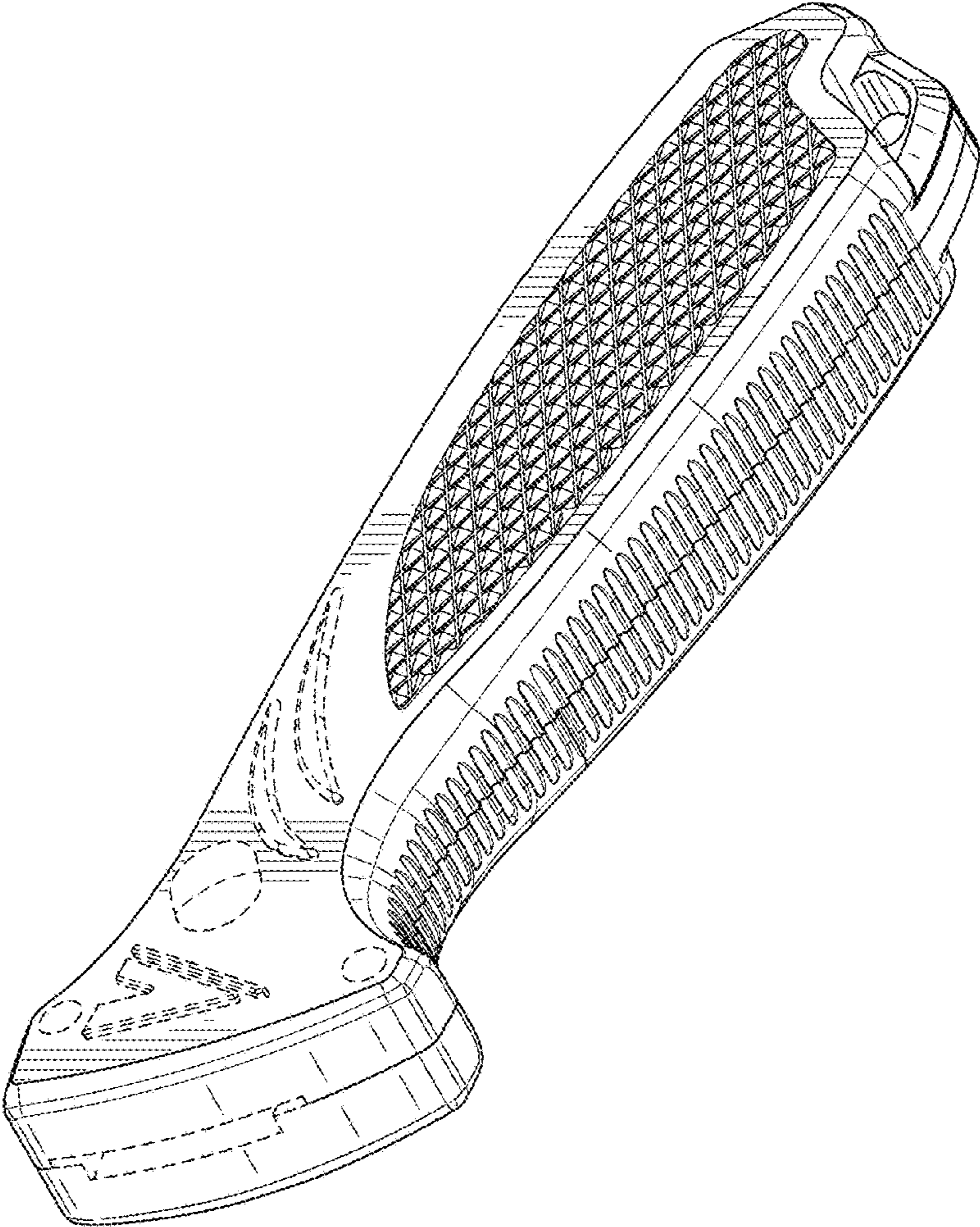


FIG. 2

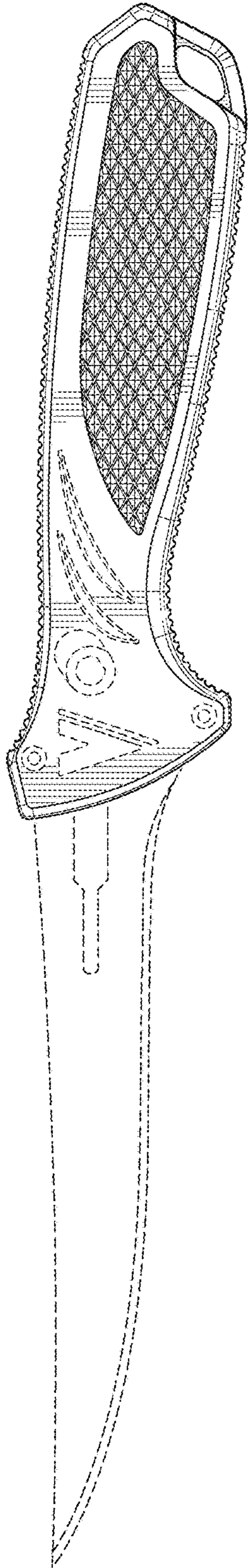


FIG. 3

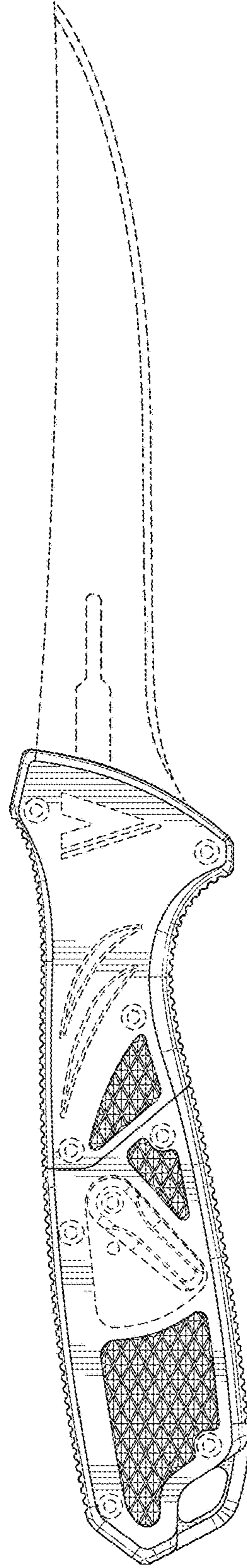


FIG. 4

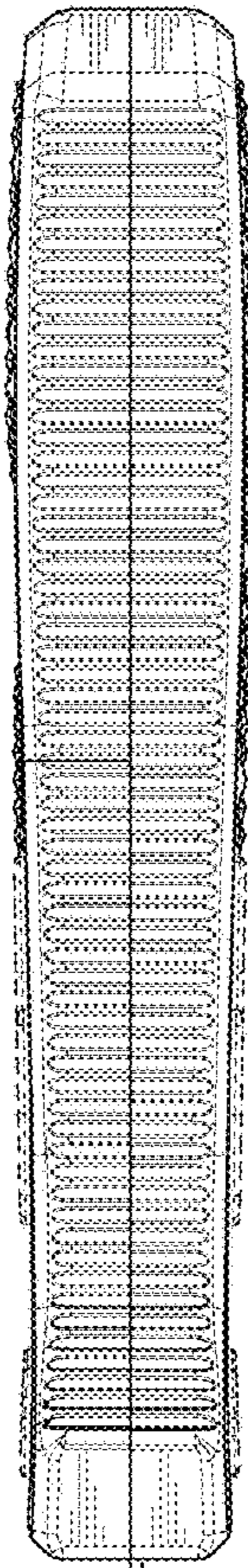


FIG. 5

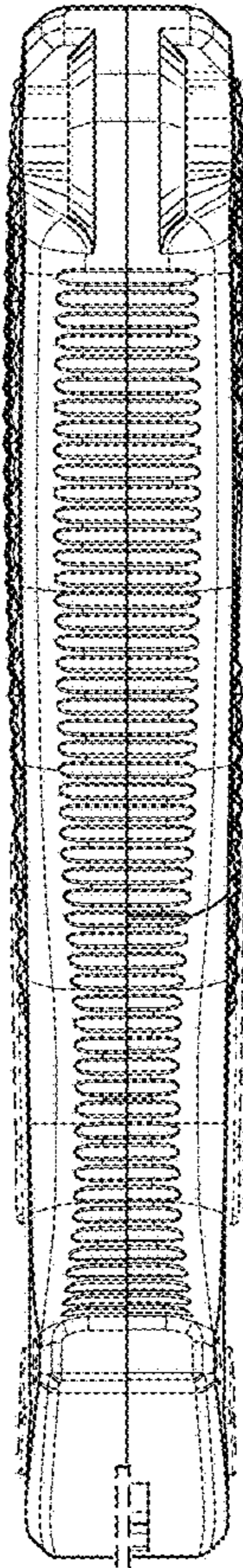


FIG. 6

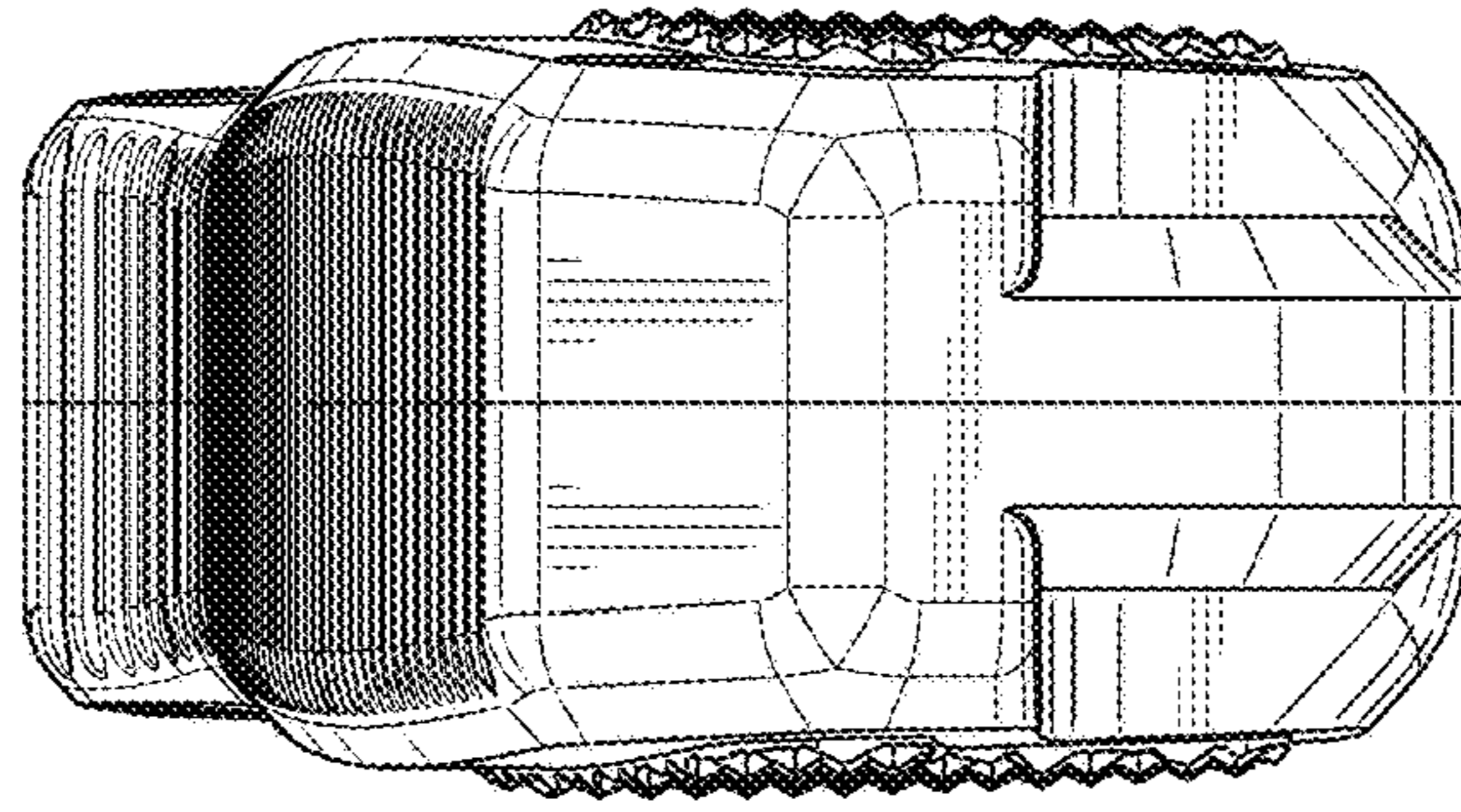


FIG. 8

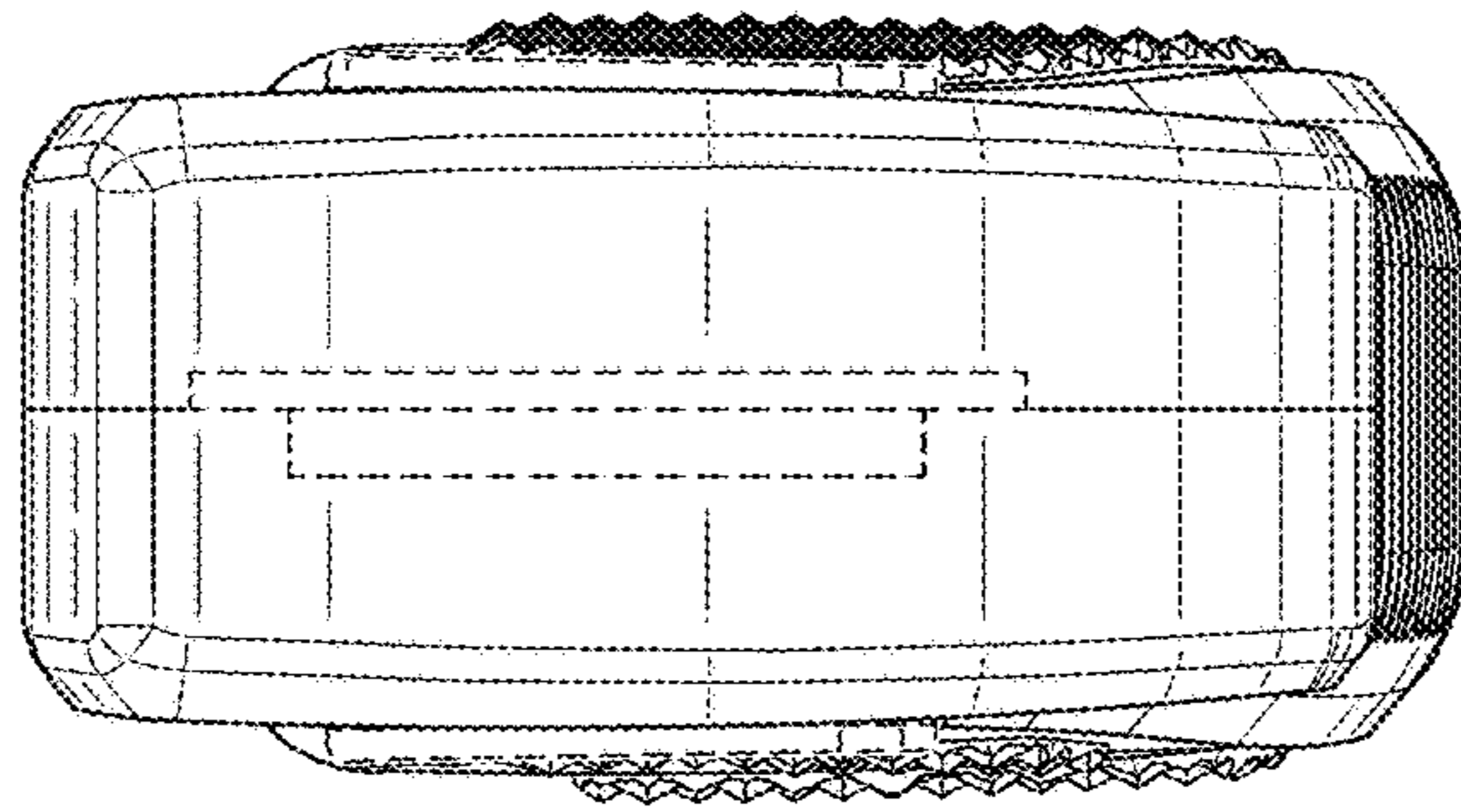


FIG. 7

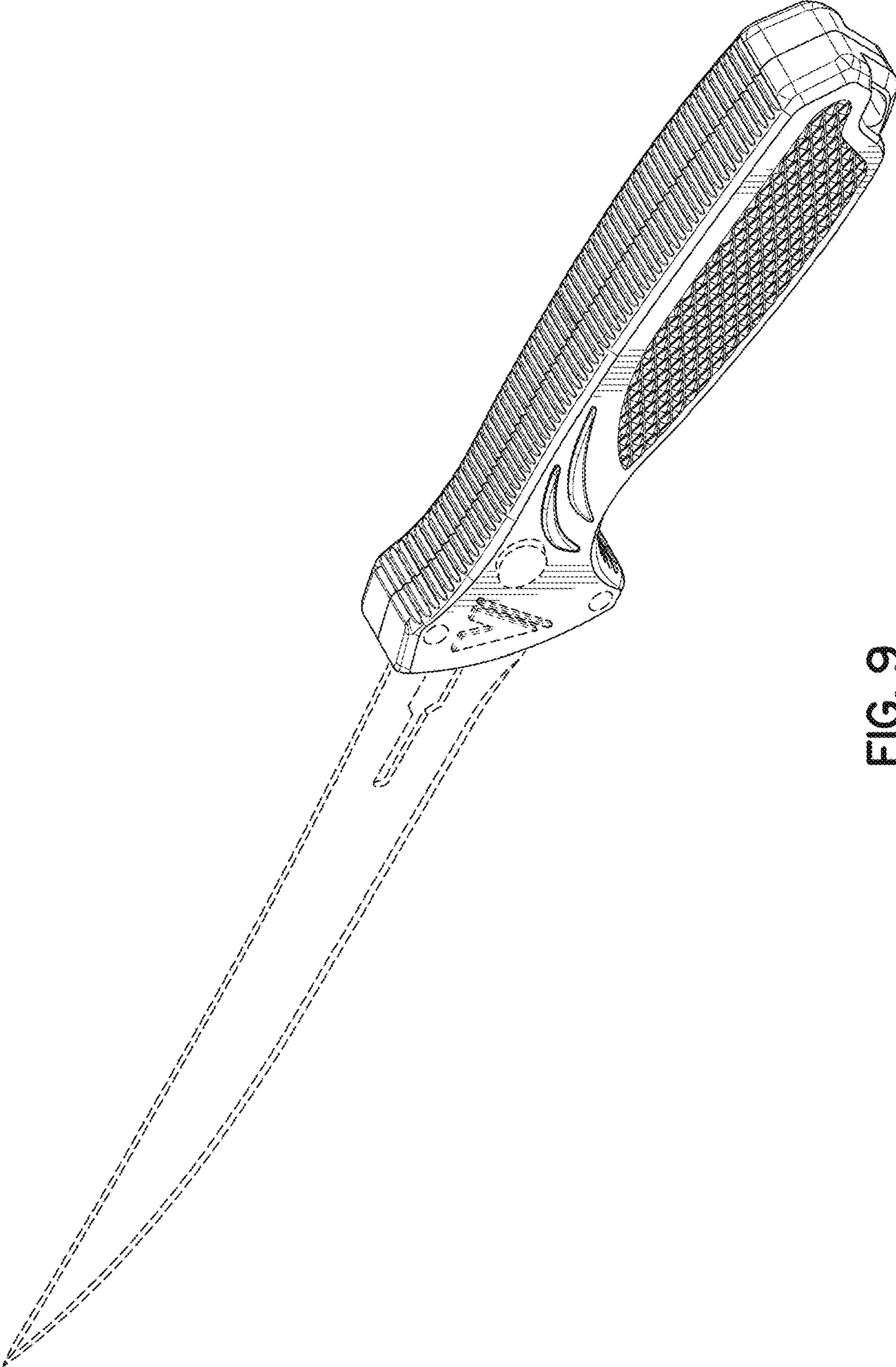


FIG. 9

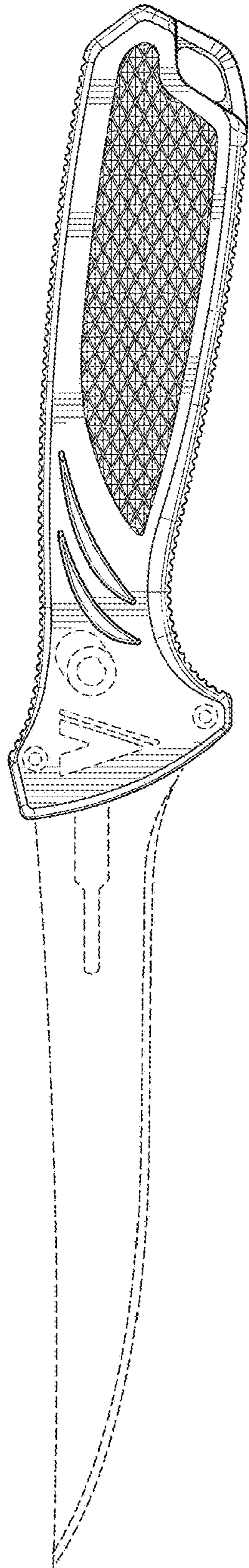


FIG. 10

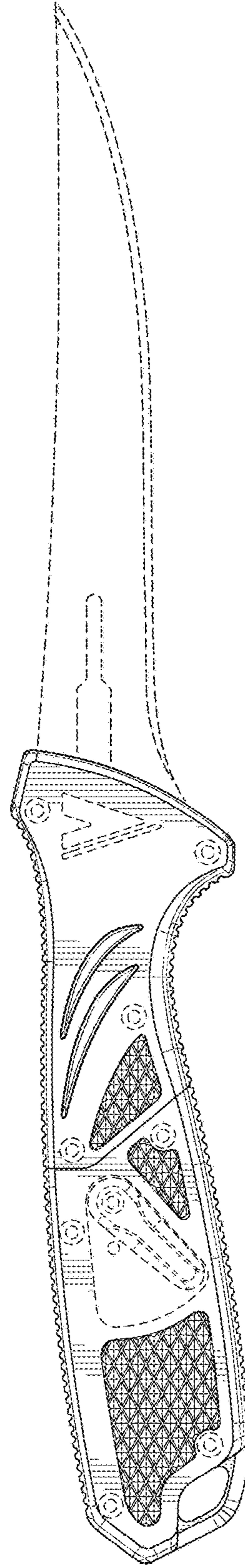


FIG. 11