



US00D847937S

(12) **United States Design Patent**  
**Isringhausen**

(10) **Patent No.:** **US D847,937 S**

(45) **Date of Patent:** **\*\* May 7, 2019**

- (54) **ARROWHEAD ROTATING WITH OFFSET BLADES**
- (71) Applicant: **Kenneth A. Isringhausen**, Jerseyville, IL (US)
- (72) Inventor: **Kenneth A. Isringhausen**, Jerseyville, IL (US)
- (\*\*) Term: **15 Years**
- (21) Appl. No.: **29/628,670**
- (22) Filed: **Dec. 6, 2017**
- (51) **LOC (11) Cl.** ..... **22-03**
- (52) **U.S. Cl.**  
USPC ..... **D22/115; D22/107**
- (58) **Field of Classification Search**  
USPC ..... D21/301, 304, 567, 570, 571, 573, 574, D21/575, 746; D22/100, 101, 102, 103, D22/106, 107, 108, 109, 110, 111, 112, D22/115, 116, 199  
CPC ..... F41A 3/26; F41A 3/12; F41A 5/02; F41A 17/22; F41B 5/143; F41B 5/14; F41B 5/066; F41B 7/08; F41B 5/1446; F41B 5/148; F41B 5/1465; F42B 6/04; F42B 6/08; F42B 6/02; F42B 6/06; F42B 12/362; F41C 23/16; F41C 27/00; F41C 7/00; F41G 11/003; F41G 11/001; F41G 11/004; F41G 11/005; A63H 5/04  
See application file for complete search history.

- (56) **References Cited**  
U.S. PATENT DOCUMENTS  
6,863,630 B1 \* 3/2005 Watkins ..... F42B 6/08 473/583  
7,025,697 B2 \* 4/2006 Mizek ..... F42B 6/08 473/583  
D630,700 S \* 1/2011 Fanizzi ..... D22/107  
D630,701 S \* 1/2011 Fanizzi ..... D22/107  
7,905,795 B1 \* 3/2011 Nuno ..... F42B 6/08 473/253

- 8,043,178 B2 \* 10/2011 Sames ..... F42B 6/08 473/583
  - 8,057,331 B2 \* 11/2011 Hudkins ..... F42B 6/08 473/583
  - D663,004 S \* 7/2012 Isringhausen ..... D22/107
  - D668,732 S \* 10/2012 Frecka ..... D22/115
  - D672,836 S \* 12/2012 Butcher ..... F42B 6/08 D22/107
  - D695,872 S \* 12/2013 Lennon ..... D22/115
- (Continued)

**OTHER PUBLICATIONS**

“Fire N The Hole World’s Greatest Final Cut 7 for Air” [online]. Fogsdj2. [Published on Jan. 14, 2016]. Retrieved from the Internet: <<https://www.youtube.com/watch?v=npxhiWnOk5M>>.\*

(Continued)

*Primary Examiner* — Khawaja Anwar  
*Assistant Examiner* — Mojtaba Tehrani  
(74) *Attorney, Agent, or Firm* — Charles McCloskey

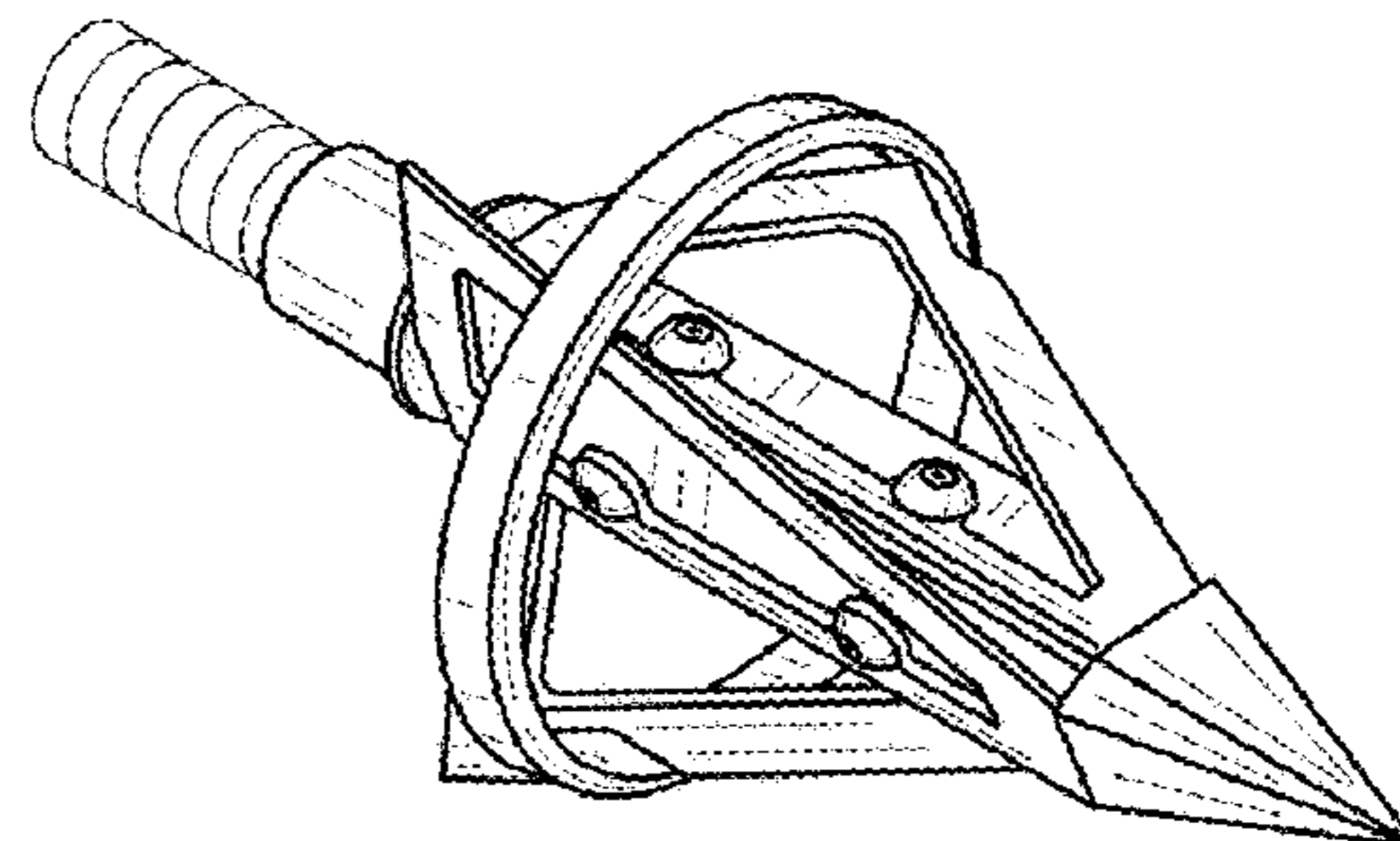
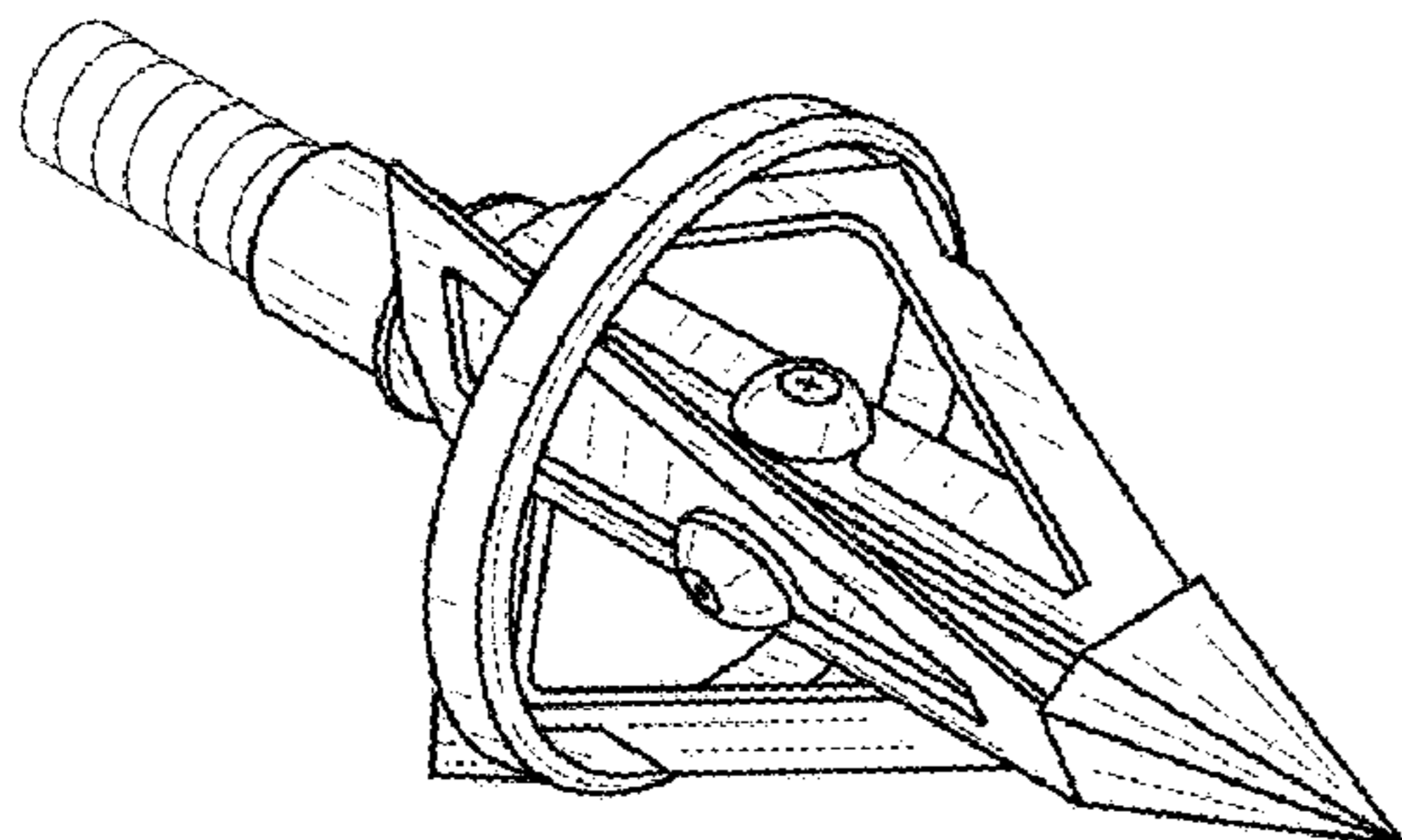
(57) **CLAIM**

The ornamental design for an arrowhead rotating with offset blades, as shown and described.

**DESCRIPTION**

FIG. 1 is a front view of a first embodiment of the arrowhead rotating with offset blades;  
FIG. 2 is a rear view thereof;  
FIG. 3 is a side view thereof;  
FIG. 4 is a side view clockwise from that of FIG. 3 showing one blade upright thereof;  
FIG. 5 is an isometric view thereof;  
FIG. 6 is a front view of a second embodiment;  
FIG. 7 is a rear view thereof;  
FIG. 8 is a side view thereof;  
FIG. 9 is a side view clockwise from that of FIG. 8 showing one blade upright thereof; and,  
FIG. 10 is an isometric view thereof.

**1 Claim, 2 Drawing Sheets**



(56)

**References Cited**

U.S. PATENT DOCUMENTS

D713,919	S *	9/2014	Rager	.....	D22/107
8,905,875	B1 *	12/2014	Long	.....	F42B 6/04 473/586
D729,336	S *	5/2015	Rager	.....	D22/107
D731,022	S *	6/2015	Severinsen	.....	D22/107
D750,723	S *	3/2016	Rager	.....	D22/107
9,341,451	B1 *	5/2016	Campbell	.....	F42B 12/34
9,423,504	B1 *	8/2016	Gossett	.....	G01S 19/19
D768,798	S *	10/2016	Loa	.....	D22/107
9,470,488	B2 *	10/2016	Motz	.....	F42B 12/34
D781,980	S *	3/2017	Wallace	.....	D22/107
2002/0151394	A1 *	10/2002	Arasmith	.....	F42B 6/08 473/583
2006/0030439	A1 *	2/2006	Muller	.....	F42B 6/08 473/583
2009/0233742	A1 *	9/2009	Sanford	.....	F42B 6/08 473/584

OTHER PUBLICATIONS

“Fire N The Hole 100 Grain Broadhead (3 Pack)—Leaves 1" Hole Through Game—Brings Deer Down Fast!” [online]. Fire N The Hole. [Available to purchase as early as Oct. 7, 2016]. Retrieved from the Internet: <<https://www.amazon.com/Fire-Hole-Broadhead-Pack-Grain/dp/B01EL9B61W>>.\*

“Arrow Points and Tips” [online]. Mike. [Published on Jan. 21, 2015]. Retrieved from the Internet: <<http://mikeoutdoors.com/arrow-points-and-tips>>.\*

\* cited by examiner

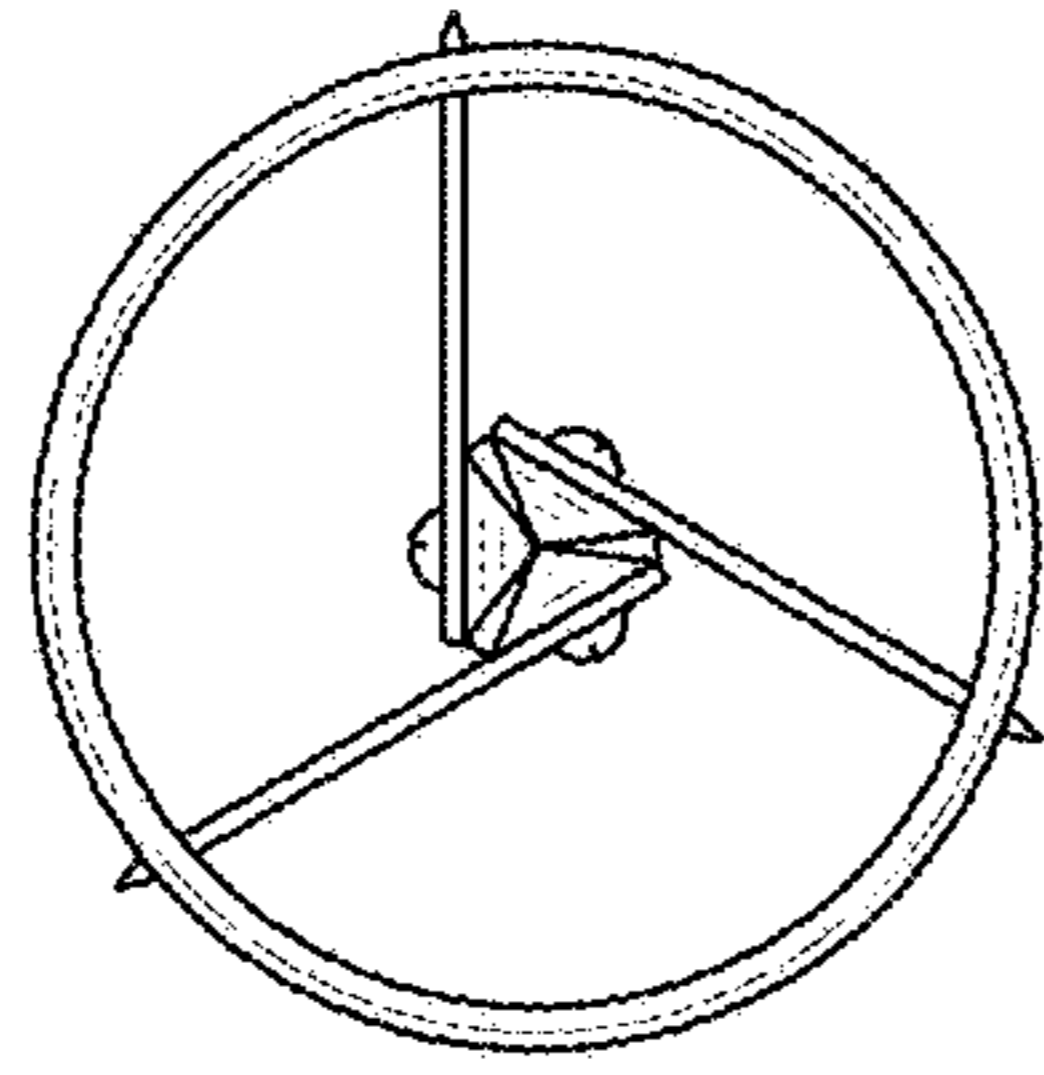


FIG. 1

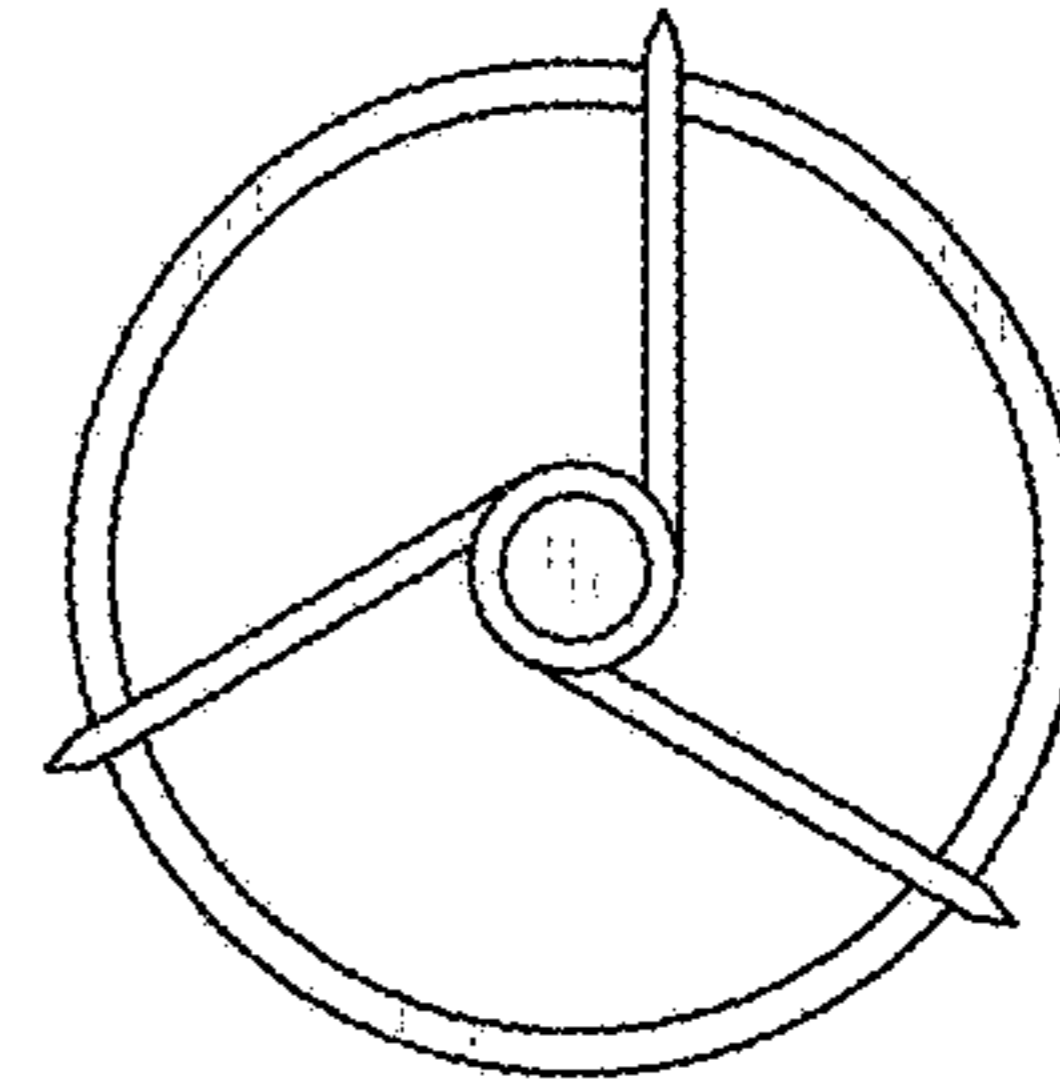


FIG. 2

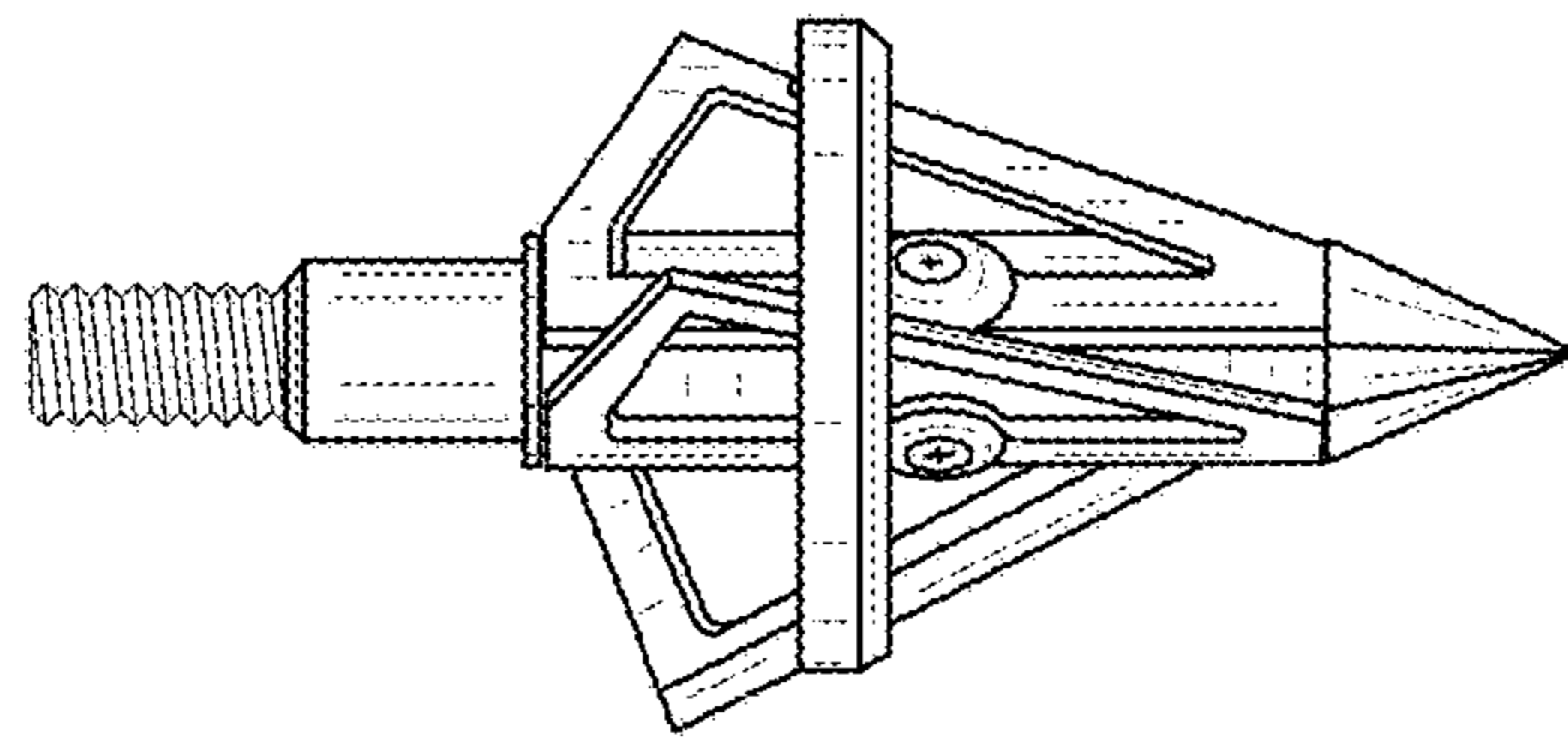


FIG. 3

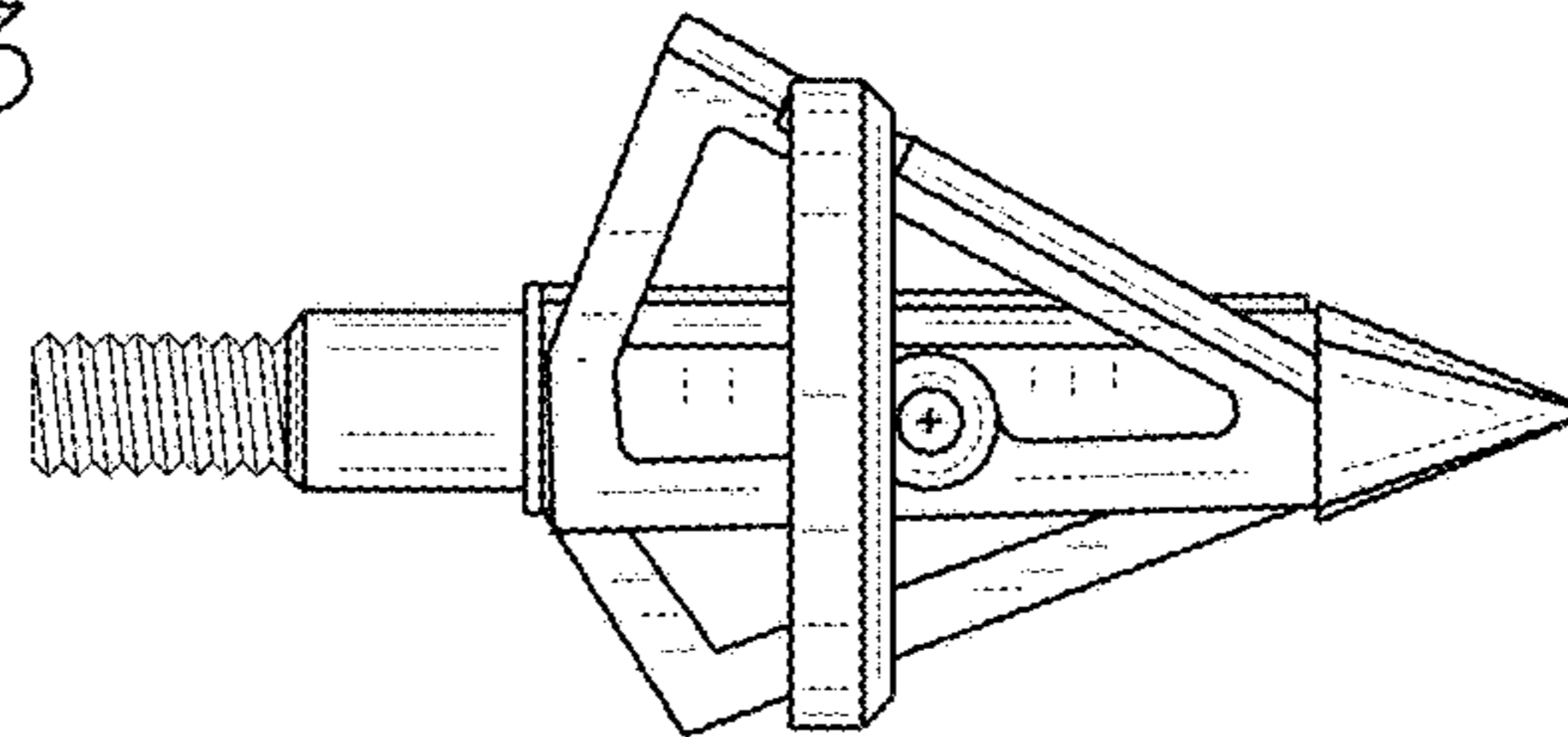


FIG. 4

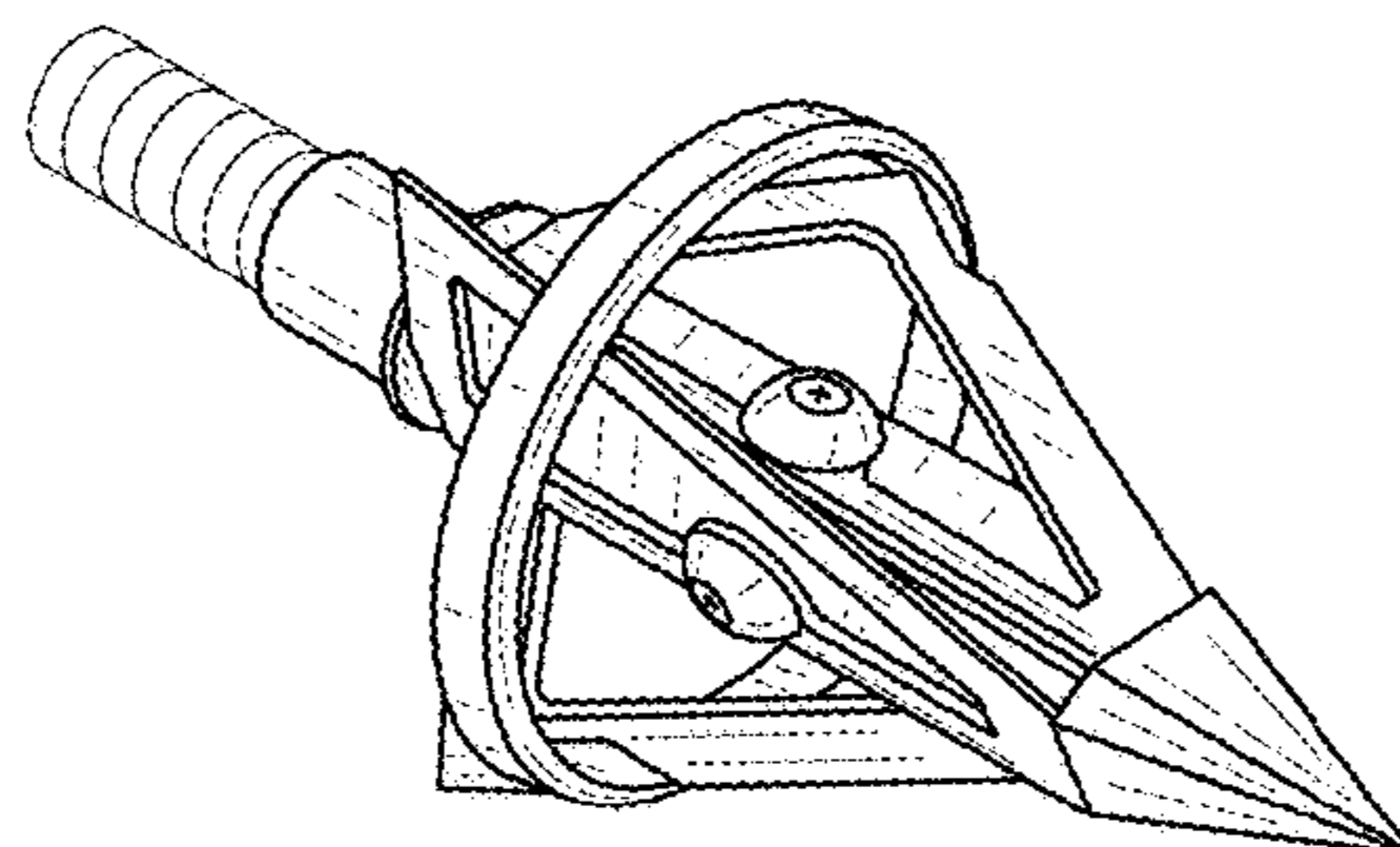


FIG. 5

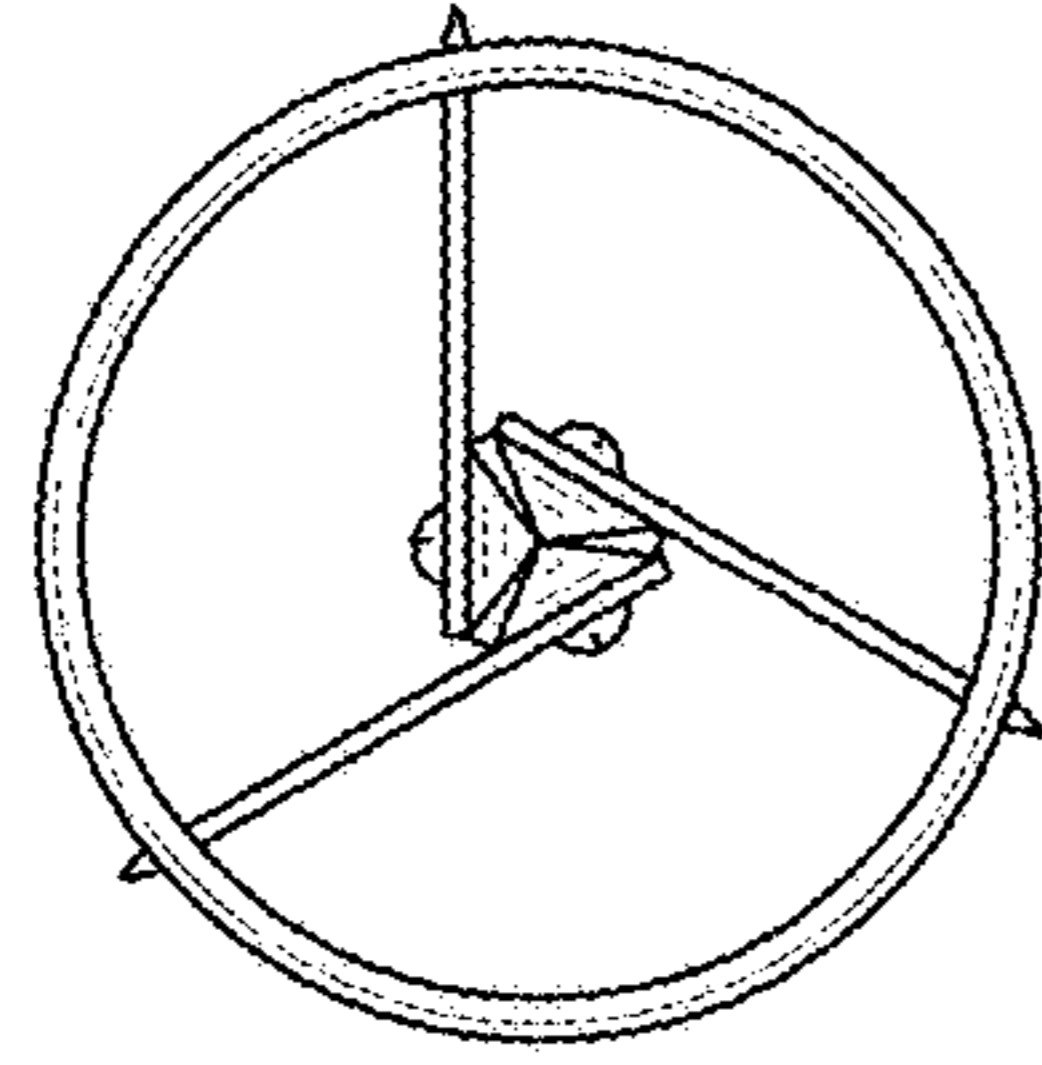


FIG. 6

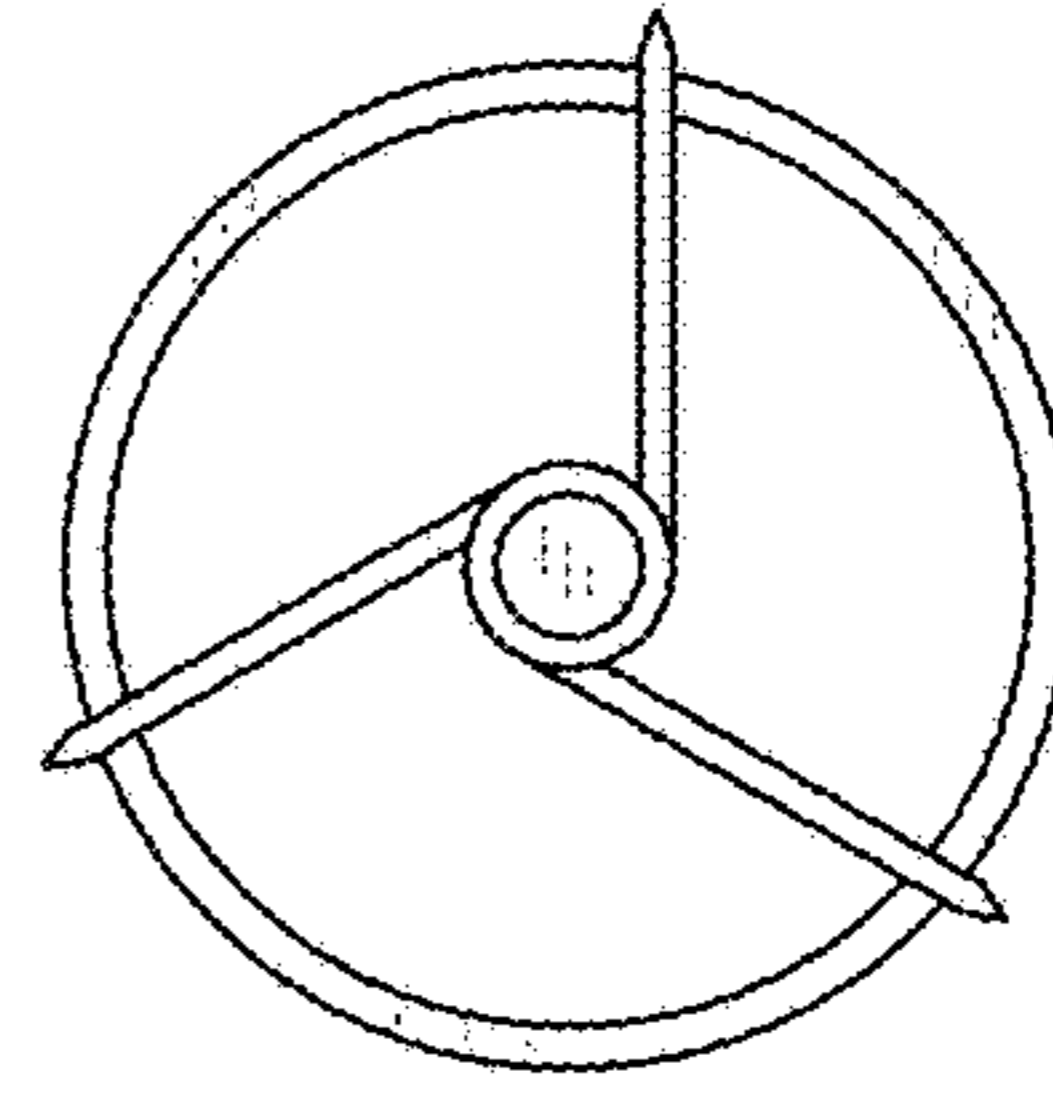


FIG. 7

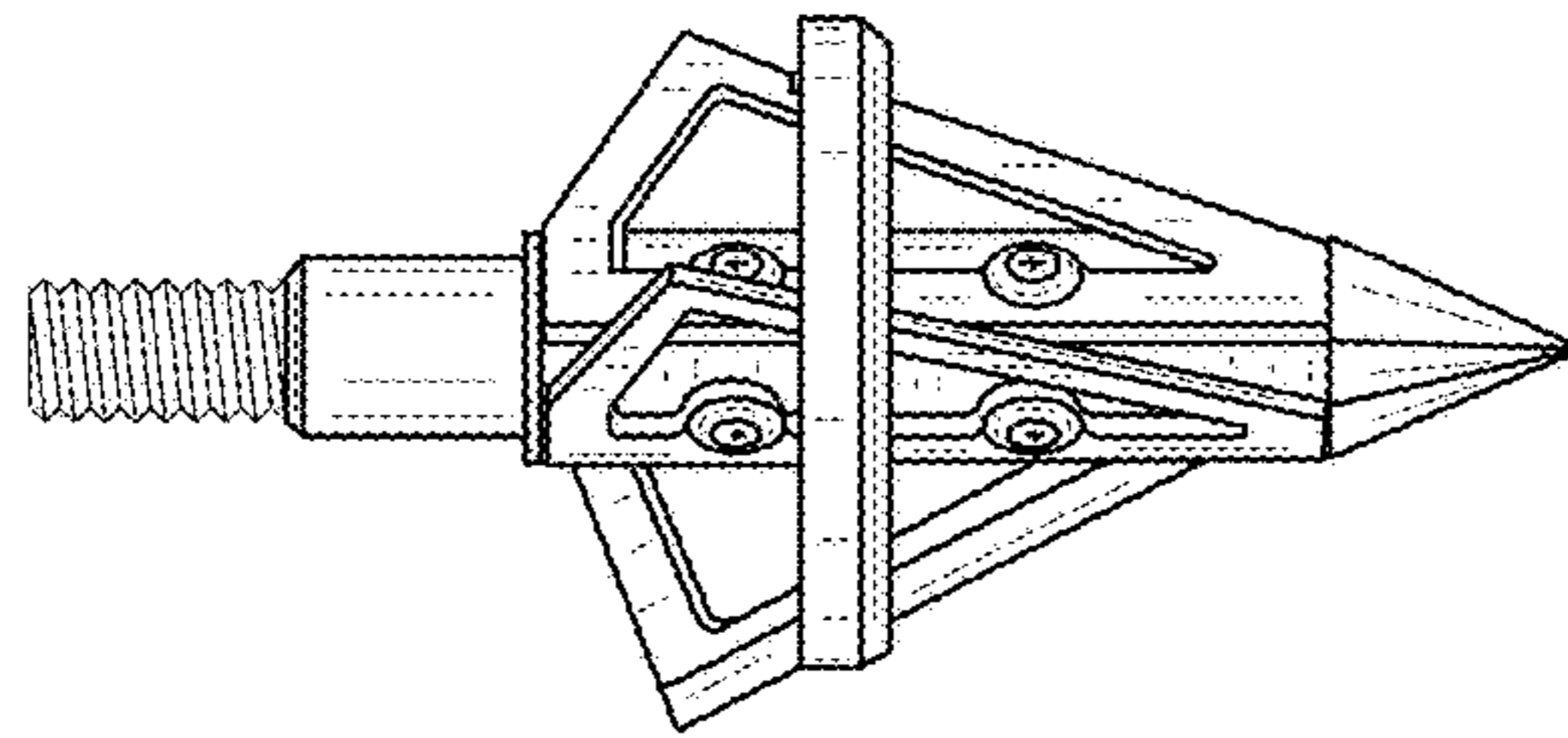


FIG. 8

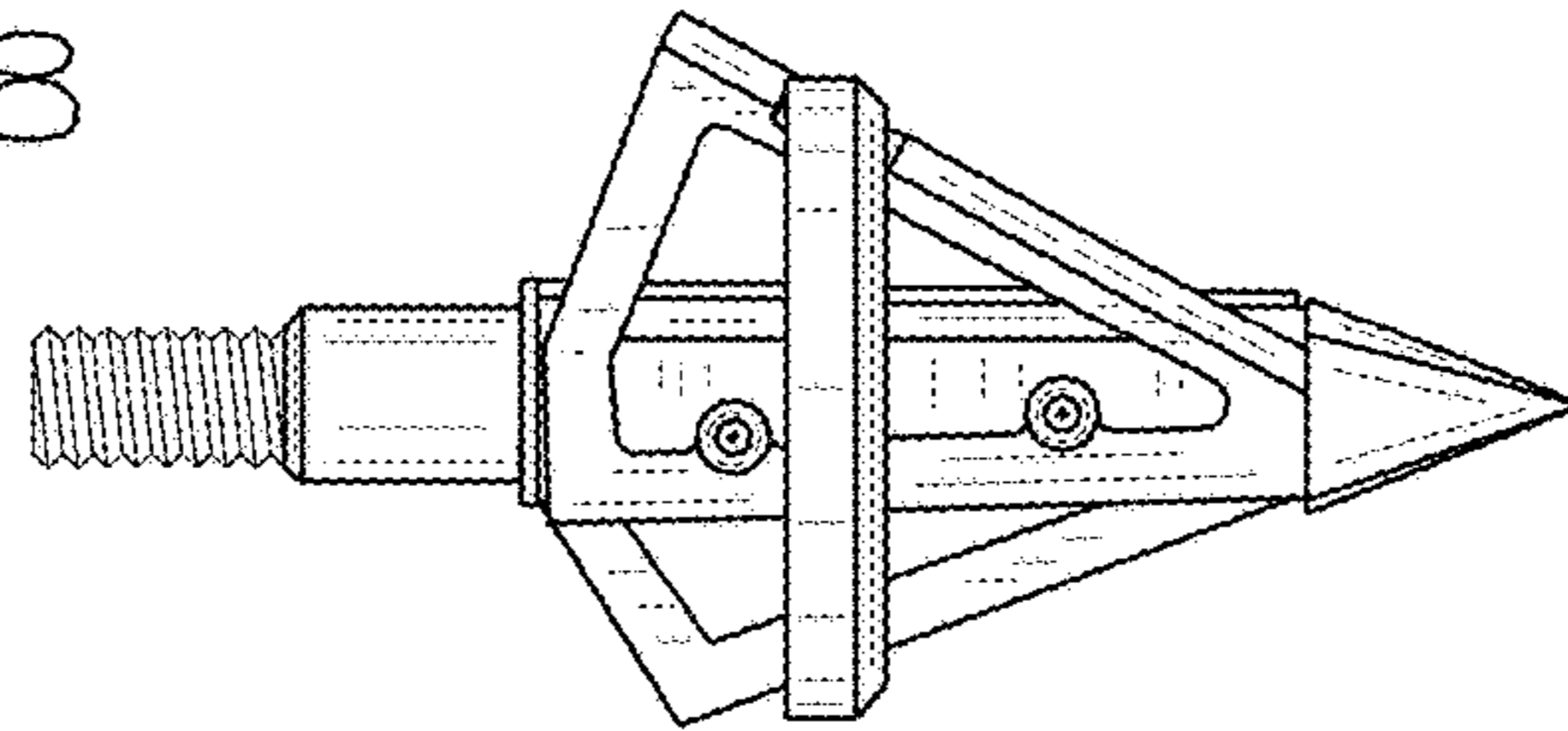


FIG. 9

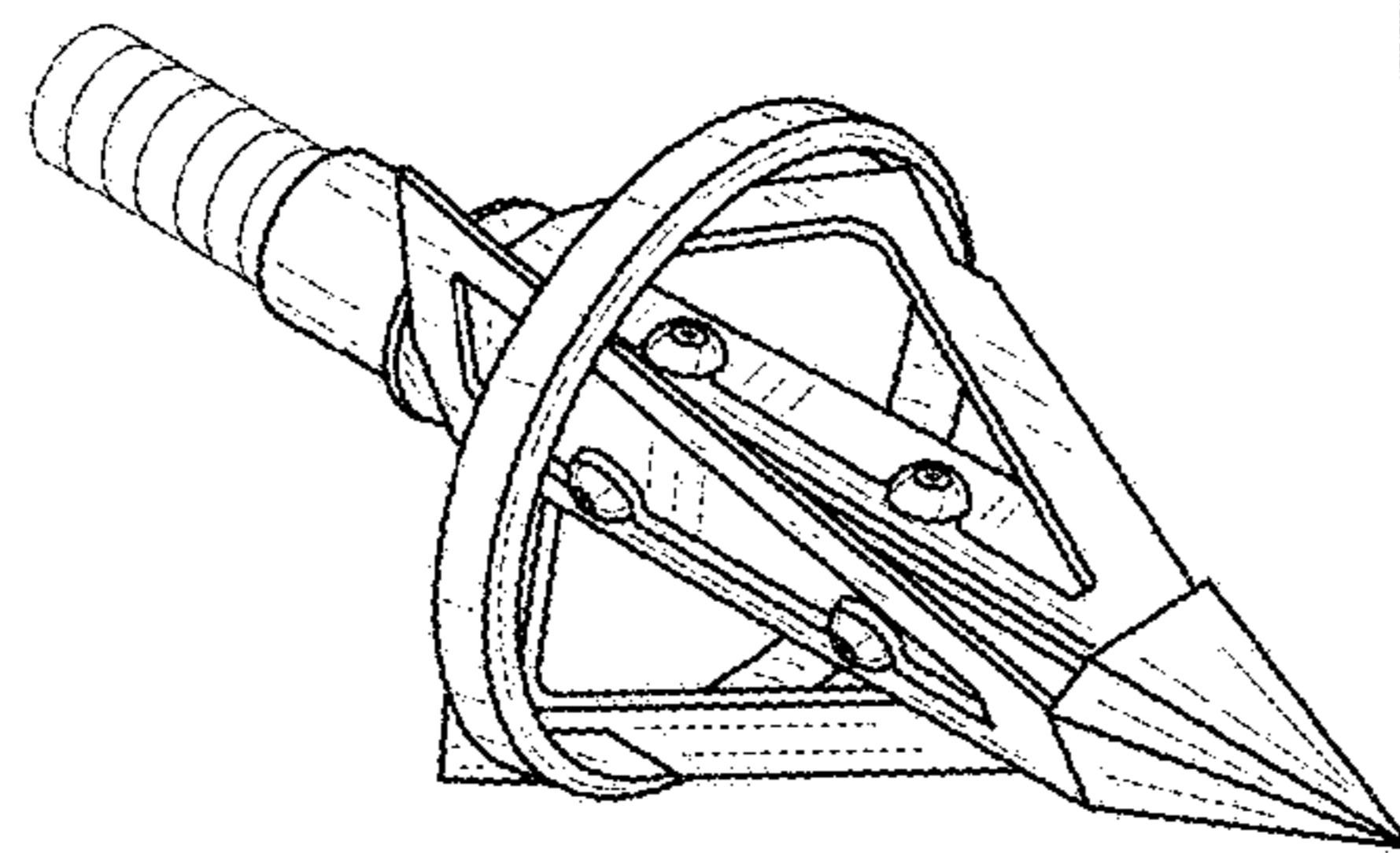


FIG. 10