



US00D847936S

(12) **United States Design Patent**
Tension

(10) **Patent No.:** **US D847,936 S**

(45) **Date of Patent:** **** May 7, 2019**

(54) **TARGET STAND**

(71) Applicant: **Casey Tension**, San Antonio, TX (US)

(72) Inventor: **Casey Tension**, San Antonio, TX (US)

(73) Assignee: **CT Metalworks, Inc.**, San Antonio, TX (US)

(**) Term: **15 Years**

(21) Appl. No.: **29/605,516**

(22) Filed: **May 26, 2017**

(51) **LOC (11) Cl.** **22-04**

(52) **U.S. Cl.**
USPC **D22/113**

(58) **Field of Classification Search**
USPC D22/113, 199
CPC F41J 1/10; F41J 5/14; F41J 1/00; F41J
3/0004

See application file for complete search history.

(56) **References Cited**

U.S. PATENT DOCUMENTS

5,277,432 A	1/1994	Bateman	
8,162,320 B2	4/2012	Medina et al.	
D672,578 S *	12/2012	Linder	D6/708.16
8,622,394 B2	1/2014	Larue	
8,651,493 B1	2/2014	Adler et al.	
D750,727 S *	3/2016	Dee	D22/113
D752,173 S *	3/2016	Linder	D22/113
9,476,291 B2	10/2016	Nenniger et al.	
D773,006 S *	11/2016	Stark	D22/113
D773,007 S *	11/2016	Stark	D22/113
9,658,035 B2	5/2017	Pixton	
2015/0276356 A1 *	10/2015	Cesternino	F41J 9/02 273/370
2015/0330748 A1 *	11/2015	Anzalone	F41J 1/10 273/390

2017/0336180 A1 11/2017 Sun
2017/0343324 A1 11/2017 Fernandez
2018/0058827 A1 3/2018 Urban
(Continued)

FOREIGN PATENT DOCUMENTS

WO WO2017208228 A1 12/2017

OTHER PUBLICATIONS

<https://www.shootsteel.com/products/12x20-short-range-rifle-target-complete-package>.

Primary Examiner — Michael A. Pratt

(74) *Attorney, Agent, or Firm* — William H. Quirk; Jesse Frizzell; Rosenthal Pauerstein Sandoloski Agather LLP

(57) **CLAIM**

I claim the ornamental design for a target stand, substantially as shown and described.

DESCRIPTION

FIG. 1 is a perspective view of the target stand in accordance with the present design, which is shown as a combination of a base assembly (lower two thirds of FIG. 1) with a separate cap member (upper third of FIG. 1). In use, users may deploy a connector post (not shown) between the base assembly and the cap member, and a target may be connected and supported by the cap member.

FIG. 2 is a left side elevational view of the target stand of FIG. 1.

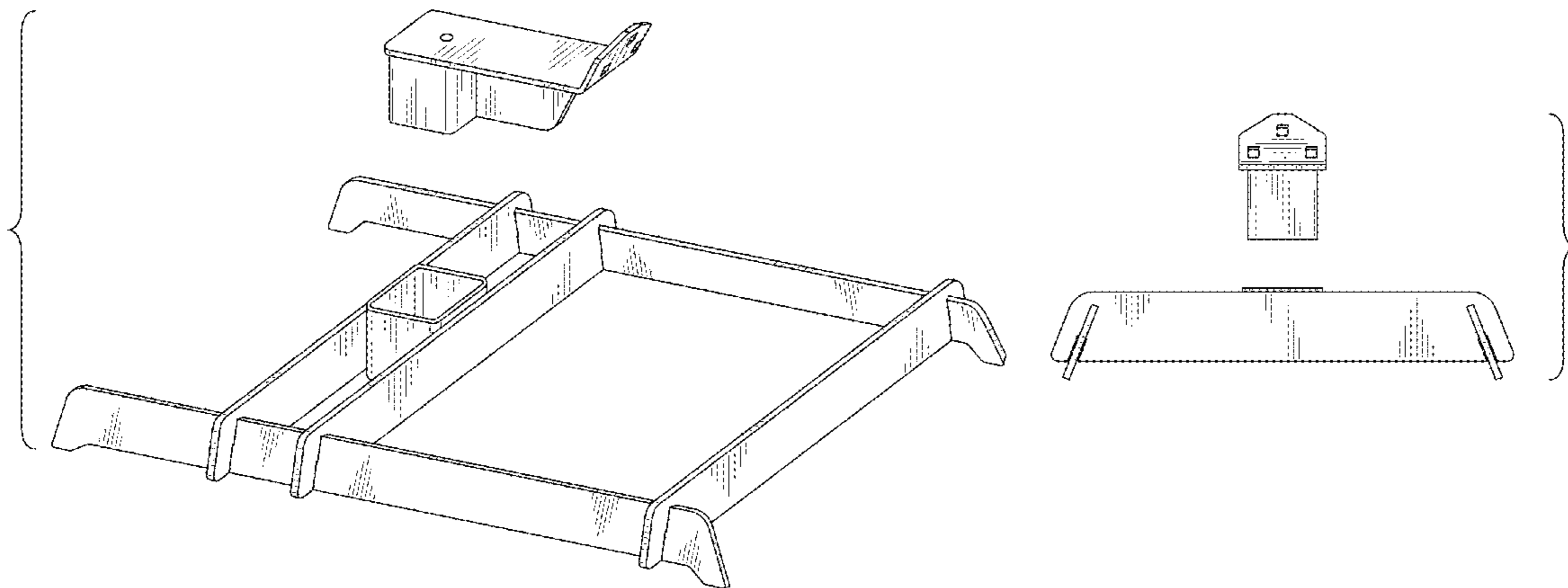
FIG. 3 is a right side elevational view of the target stand of FIG. 1.

FIG. 4 is a front elevational view of the target stand of FIG. 1.

FIG. 5 is a rear elevational view of the target stand of FIG. 1.

FIG. 6 is a top plan view of the target stand of FIG. 1; and, FIG. 7 is a bottom plan view of the target stand of FIG. 1.

1 Claim, 7 Drawing Sheets



(56)

References Cited

U.S. PATENT DOCUMENTS

2018/0087881 A1* 3/2018 Bickel F41J 7/04
2018/0202776 A1* 7/2018 Huang F41J 5/14
2018/0299232 A1* 10/2018 Thompson F41J 1/10

* cited by examiner

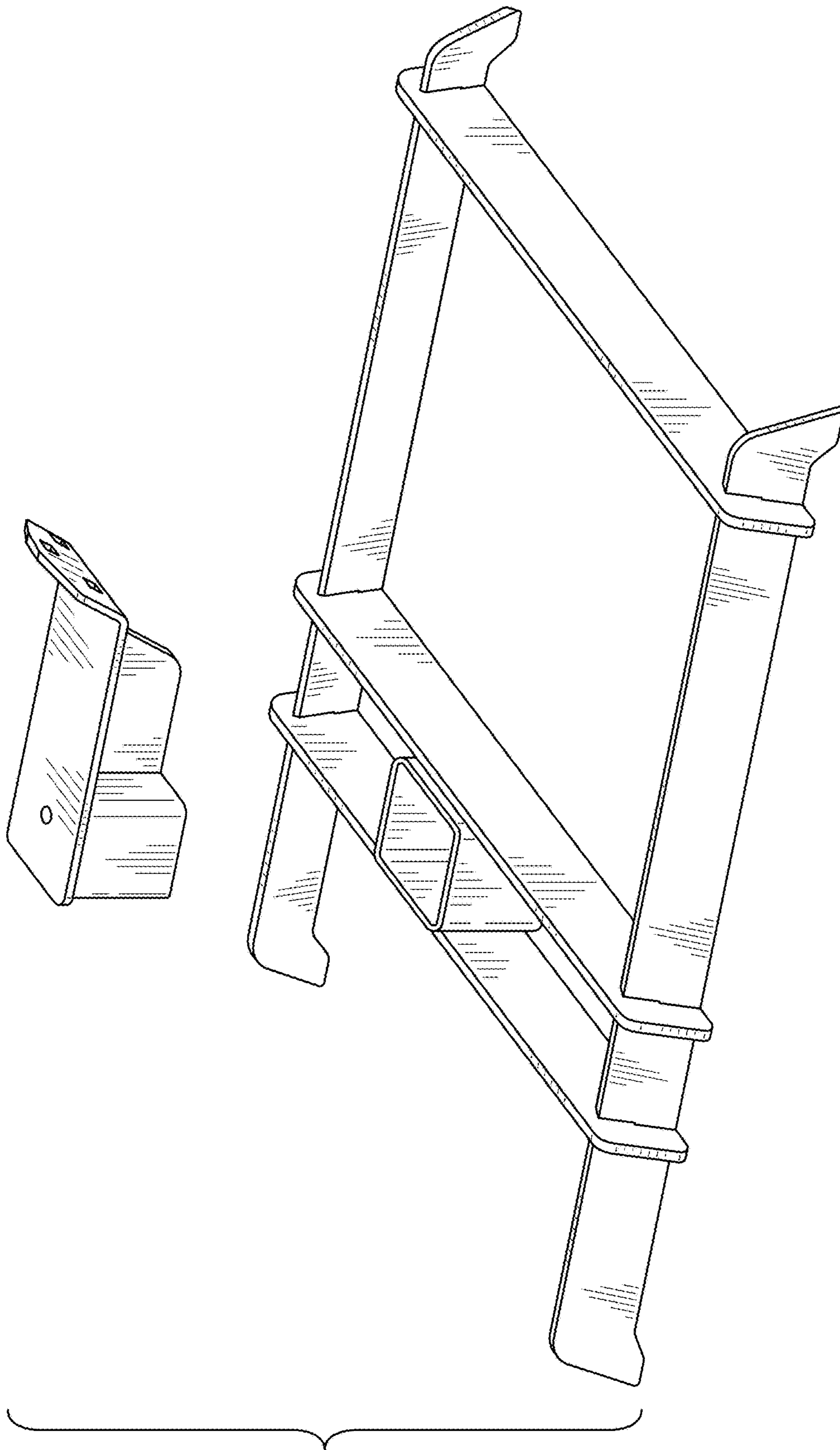


FIG. 1

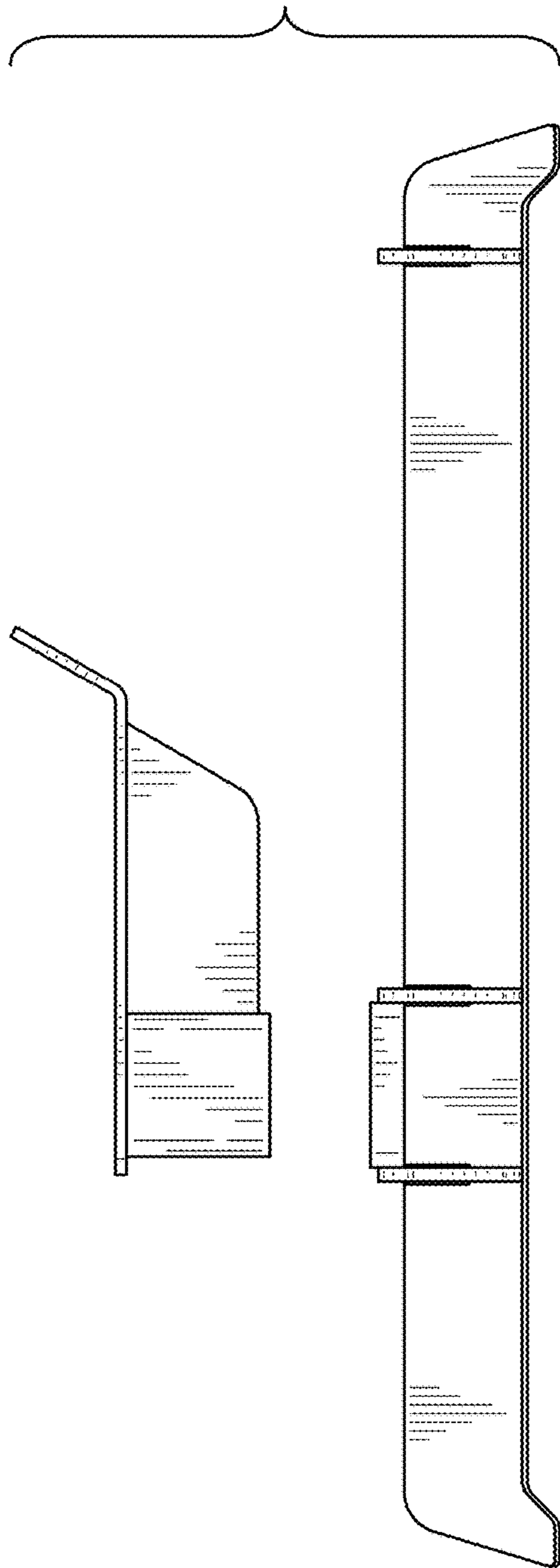


FIG. 2

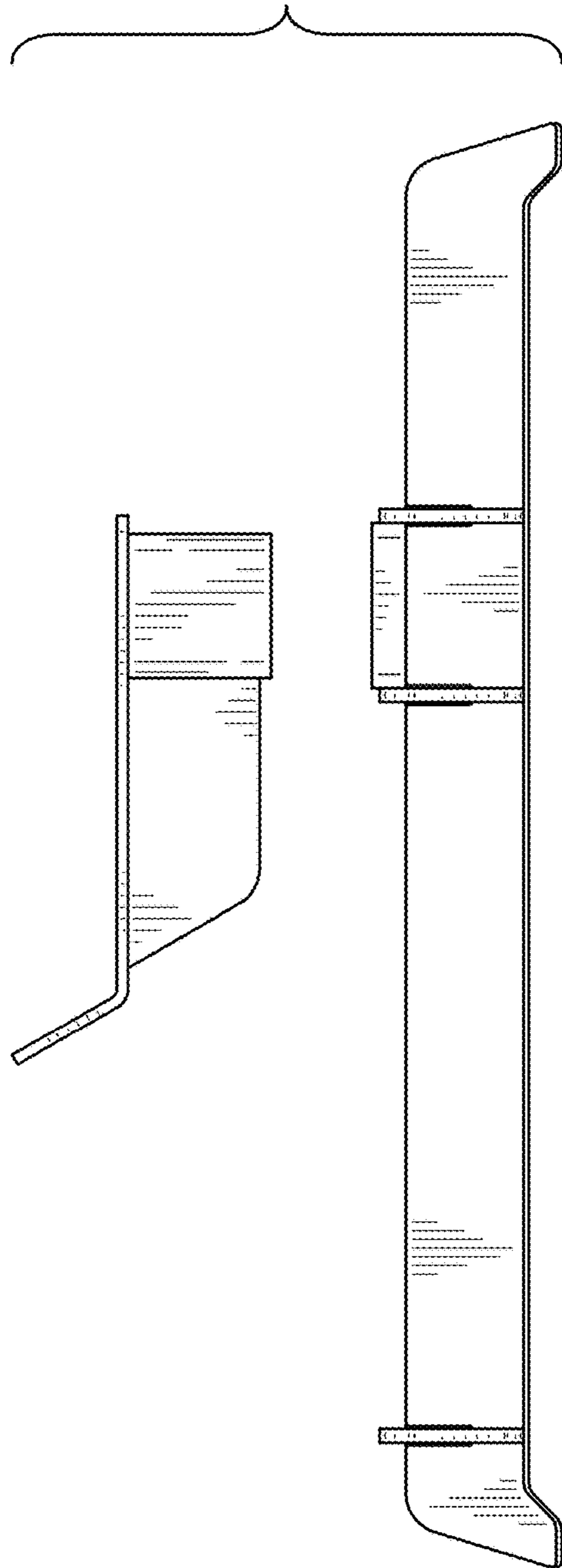


FIG. 3

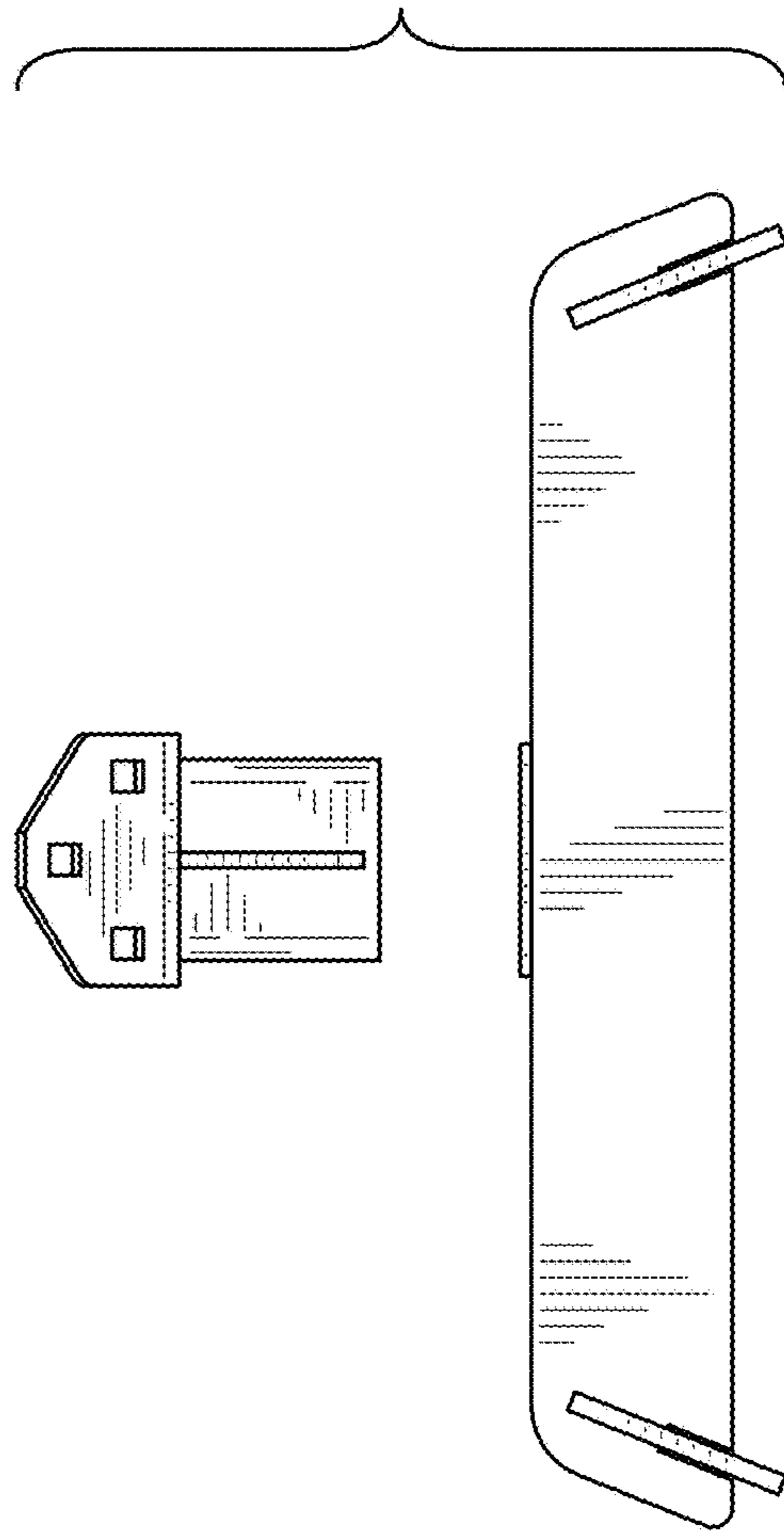


FIG. 4

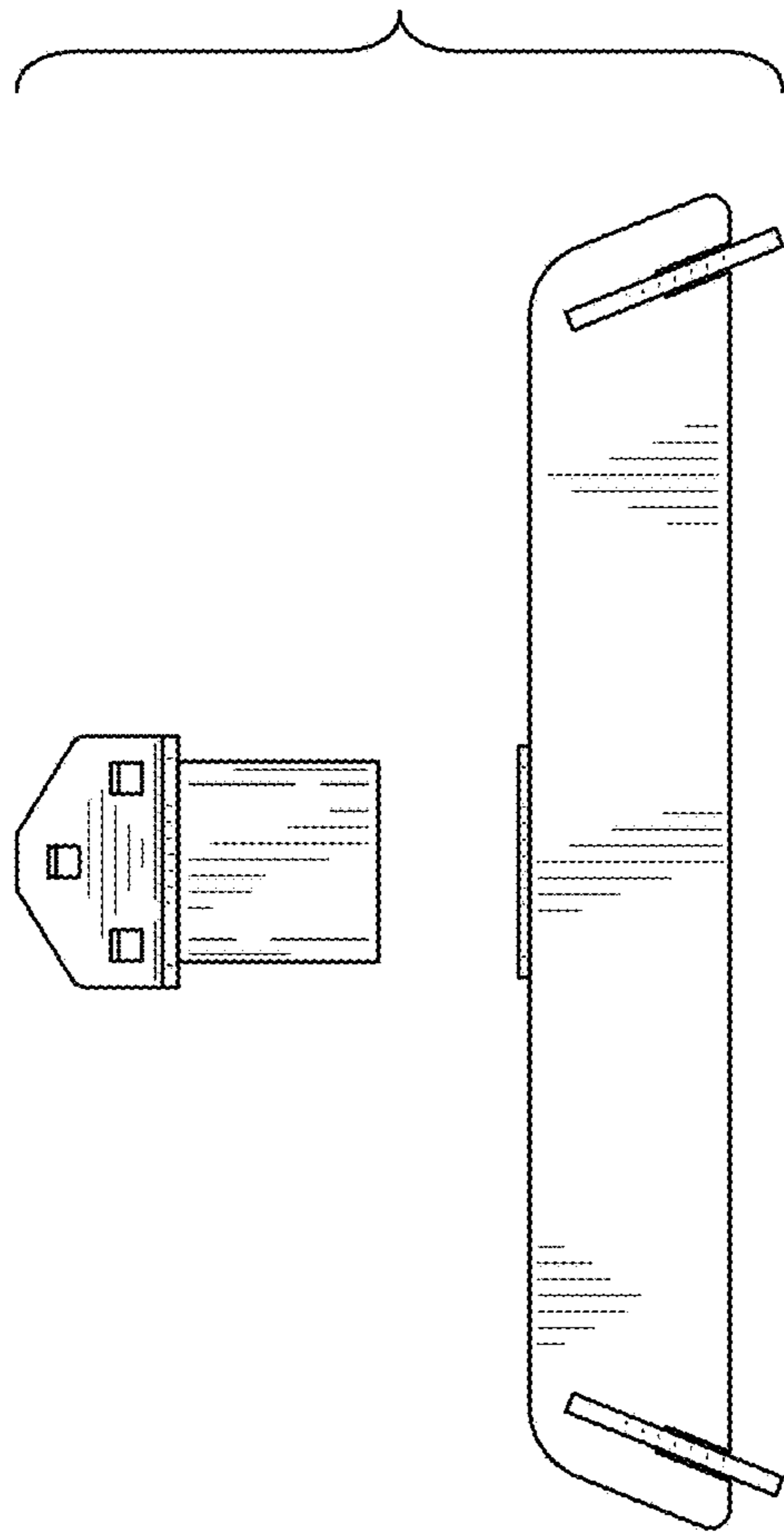


FIG. 5

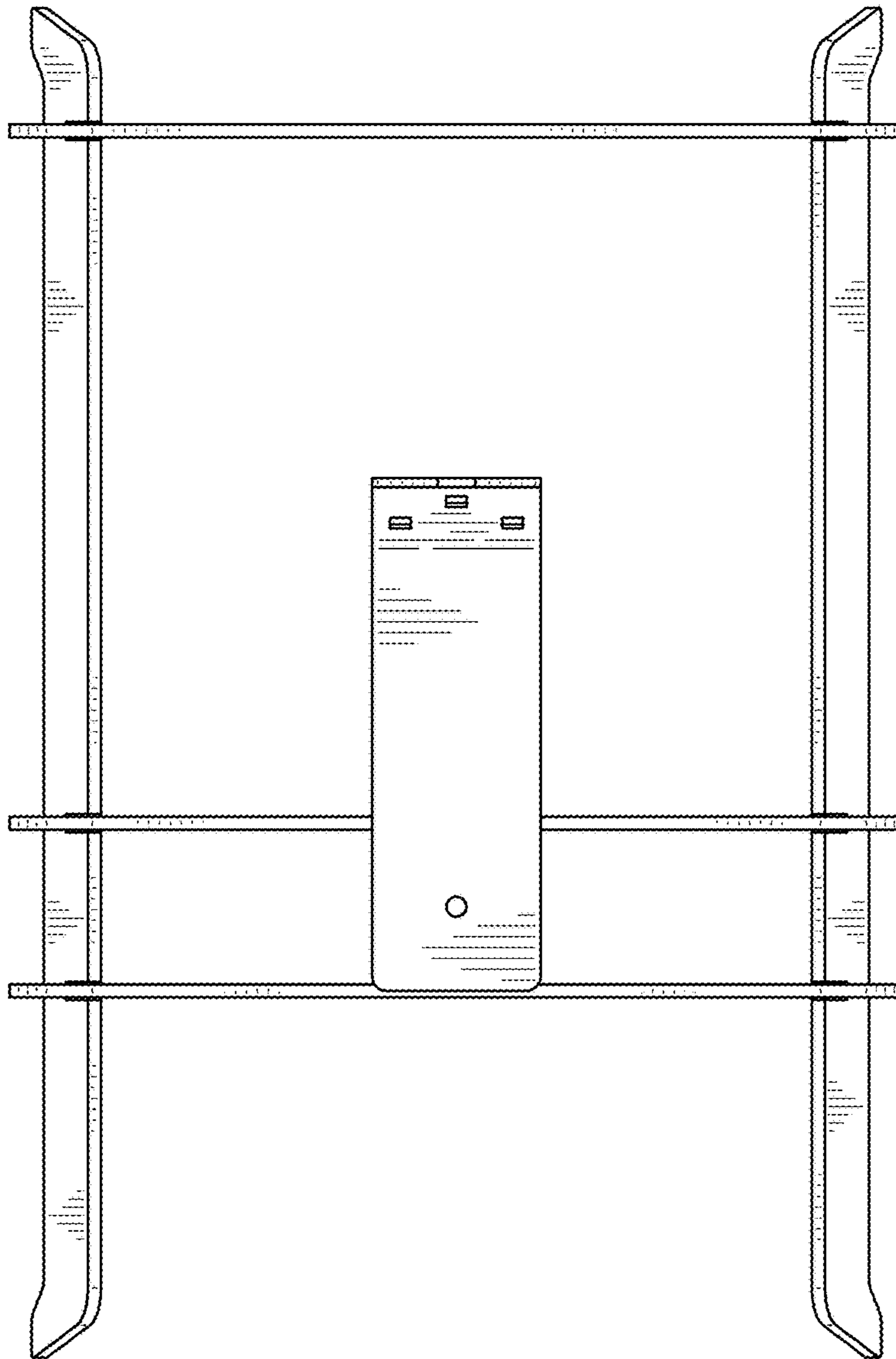


FIG. 6

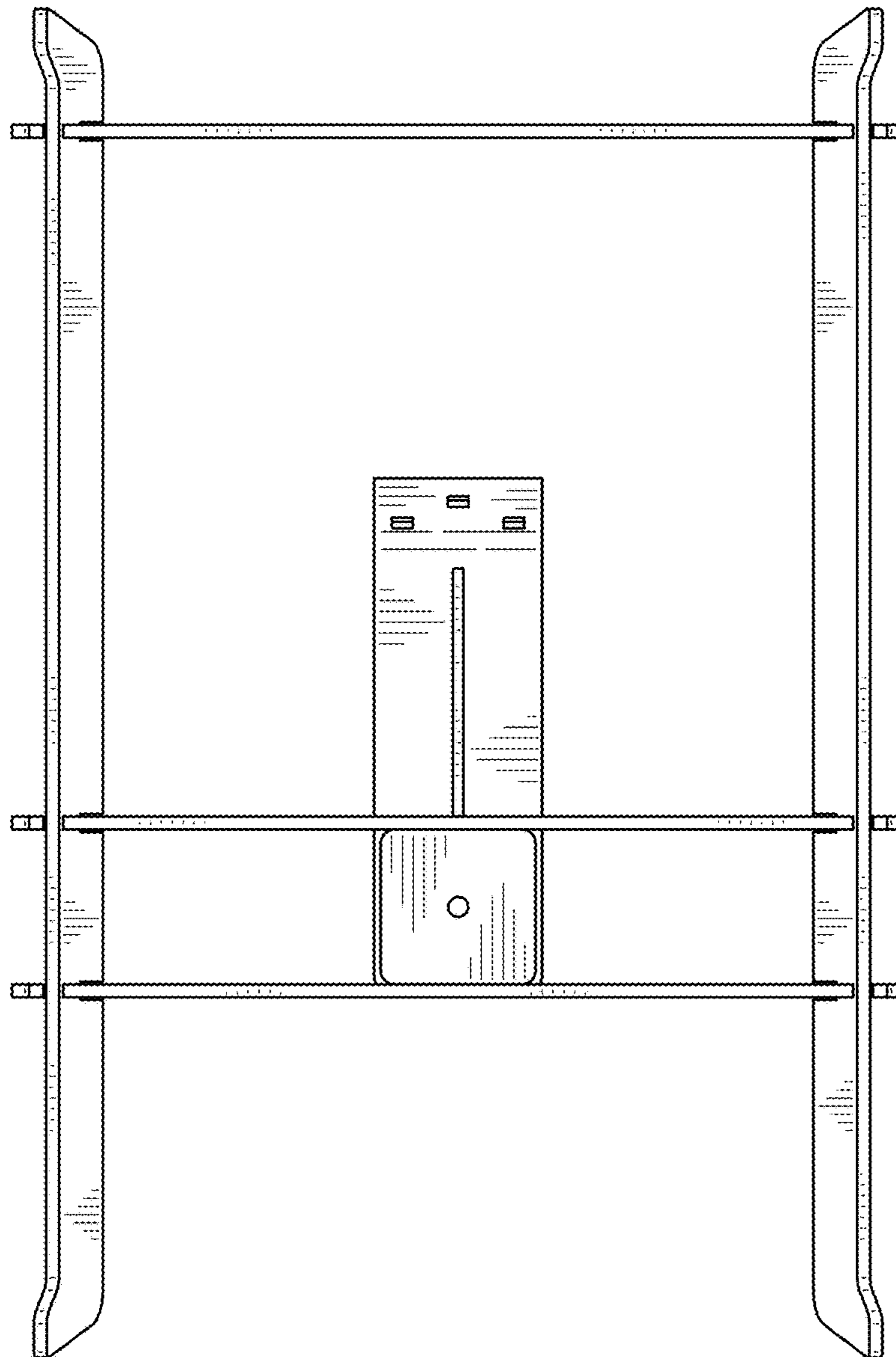


FIG. 7