



US00D847935S

(12) **United States Design Patent** (10) **Patent No.:** **US D847,935 S**
Smith (45) **Date of Patent:** **** May 7, 2019**

(54) **LOWER RECEIVER JIG**

(71) Applicant: **80 Percent Arms Inc.**, Garden Grove, CA (US)

(72) Inventor: **Tilden Alan Smith**, Westminster, CA (US)

(73) Assignee: **80 Percent Arms Inc.**, Garden Grove, CA (US)

(**) Term: **15 Years**

(21) Appl. No.: **29/649,838**

(22) Filed: **Jun. 1, 2018**

(51) **LOC (11) Cl.** **22-01**

(52) **U.S. Cl.**
USPC **D22/108**

(58) **Field of Classification Search**
USPC D22/108, 199; D8/14–16, 51, 71–72, 80, D8/83, 88, 89
CPC F41G 1/545
See application file for complete search history.

(56) **References Cited**

U.S. PATENT DOCUMENTS

2,273,954 A	2/1942	Grass
D160,734 S	10/1950	Polkosnik
2,538,173 A	1/1951	Swebilius
3,108,500 A	10/1963	Merriman
3,396,613 A	8/1968	Hutton
3,785,634 A	1/1974	Denker

(Continued)

OTHER PUBLICATIONS

80 Percent Arms Inc., "AR-15 Easy Jig @ Manual," dated 2016, 20 pages.

(Continued)

Primary Examiner — Michael A. Pratt

(74) *Attorney, Agent, or Firm* — Knobbe Martens Olson & Bear LLP

(57) **CLAIM**

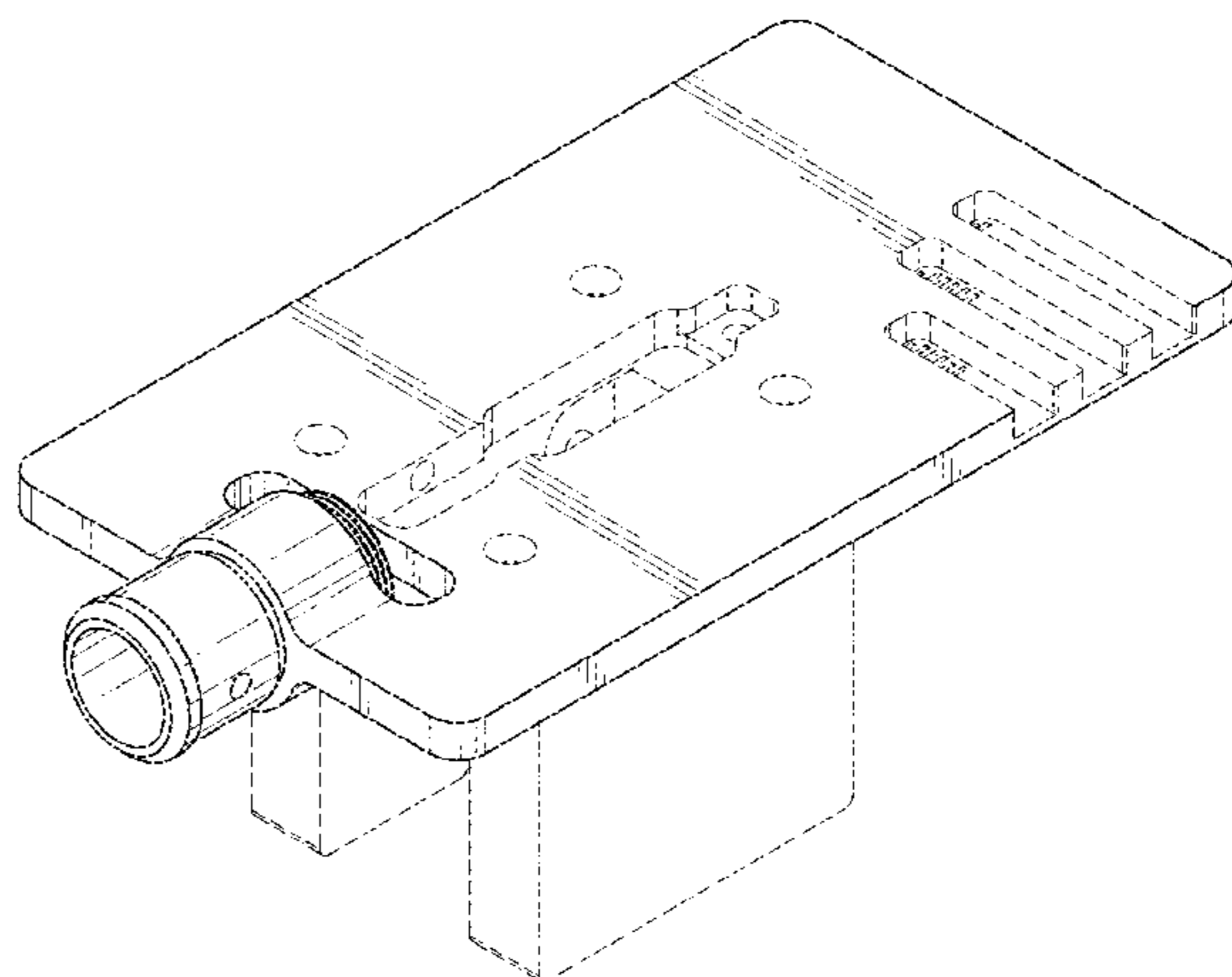
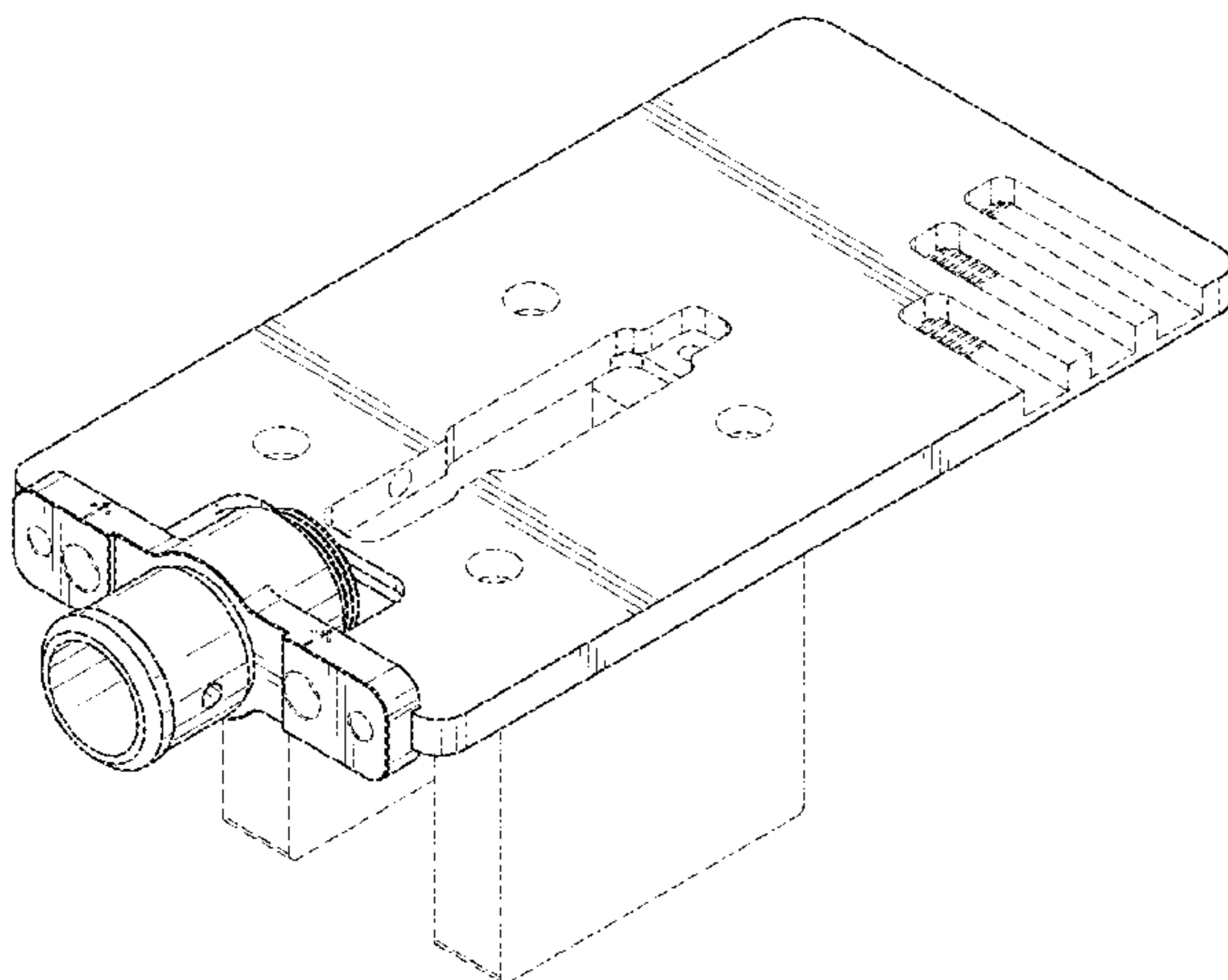
I claim the ornamental design for a lower receiver jig, as shown and described.

DESCRIPTION

FIG. 1 is a top perspective view of a first embodiment of a lower receiver jig embodying the new design. FIG. 2 is a bottom perspective view thereof. FIG. 3 is a top view thereof. FIG. 4 is a bottom view thereof. FIG. 5 is a first side view thereof. FIG. 6 is a second side view thereof. FIG. 7 is a front view thereof. FIG. 8 is a rear view thereof. FIG. 9 is a top perspective view of a second embodiment of a lower receiver jig embodying the new design. FIG. 10 is a bottom perspective view thereof. FIG. 11 is a top view thereof. FIG. 12 is a bottom view thereof. FIG. 13 is a first side view thereof. FIG. 14 is a second side view thereof. FIG. 15 is a front view thereof; and, FIG. 16 is a rear view thereof.

All features in broken lines are for the purpose of illustrating environmental structure and form no part of the claimed subject matter. Additional color and texture may or may not form part of the claimed design without departing from the design disclosed. The inventor anticipates that the invention can be any part, portion, element, or combination of elements of the depicted design. The addition of further physical elements such as writing, markings, ribs, ridges, textures, and/or dimples are not excluded. Any part, portion, element, or combination of elements of the depicted design or designs which is novel may represent an invention or design for which protection is or may be claimed in the future.

1 Claim, 14 Drawing Sheets



(56)

References Cited

U.S. PATENT DOCUMENTS

3,788,632	A	1/1974	Lukas	
3,789,892	A	2/1974	Converse et al.	
3,799,687	A	3/1974	Anderson	
3,811,163	A	5/1974	Frederick et al.	
4,155,383	A	5/1979	Welliver	
4,448,406	A	5/1984	Hallberg	
4,630,656	A	12/1986	Collins	
4,648,761	A	3/1987	Mitchell et al.	
D291,529	S	8/1987	Degen	
4,813,125	A	3/1989	Dacey, Jr.	
4,859,824	A	8/1989	Ukaji	
5,059,059	A	10/1991	Cox	
5,560,408	A	10/1996	DiFranco	
5,725,038	A	3/1998	Tucker	
6,158,487	A	12/2000	Licari	
6,481,937	B1	11/2002	Sommerfeld et al.	
6,557,730	B1	5/2003	Kaye	
6,742,558	B1	6/2004	Witt	
6,796,050	B2	9/2004	Haimer et al.	
6,813,843	B1	11/2004	Faubion	
D528,930	S	9/2006	Degen	
7,225,539	B2	6/2007	Nowak et al.	
7,269,901	B2	9/2007	Robin	
D571,233	S	6/2008	Rys, Jr.	
7,588,400	B2	9/2009	Taylor	
7,641,425	B2	1/2010	Sommerfeld et al.	
8,241,297	B2	8/2012	Ashman	
8,327,749	B2	12/2012	Underwood	
8,584,372	B2	11/2013	Stoffel	
9,009,986	B1 *	4/2015	Chang	F41A 3/66 33/640
9,810,517	B2	11/2017	Chang et al.	
D804,926	S	12/2017	Atkinson	
9,982,958	B1 *	5/2018	Partington	F41A 3/66
D824,741	S	8/2018	Davis	

2004/0065387	A1	4/2004	Smith	
2004/0179906	A1	9/2004	Hughes et al.	
2005/0086788	A1	4/2005	Wasileski et al.	
2005/0120573	A1	6/2005	Port	
2010/0074701	A1	3/2010	Kempen et al.	
2012/0005937	A1	1/2012	Milino	
2015/0040414	A1	2/2015	Nakamura et al.	
2015/0128396	A1	5/2015	Motomura	
2017/0209941	A1	7/2017	Chang et al.	
2018/0058835	A1 *	3/2018	Chang	F41A 3/66

OTHER PUBLICATIONS

5D Tactical LLC, A New Dimension in Firearms, "AR-15 & AR-308 Router Jig Instructions," dated as created Dec. 14, 2016 (as indicated by the PDF file metadata), 11 pages.

Modulus Arms, "Universal AR-15 80% Lower Receiver Jig Instructions," Mar. 25, 2015, 19 pages.

Modulus Arms, "AR-308/AR-10 Jig Instructions," Oct. 20, 2014, 24 pages.

Kreg Tool, Quick-Start Guide, Jig Product Manual, dated 2010, 27 pages.

Kreg Newsletter, "4 Tips for Tight-Fitting Kreg Joints," available at <<http://www.kregtool.com/files/newsletters/kregplus/may13.html>>, published May 2013, dated Aug. 2013, 4 pages.

DIYdiva, "Joinery 101: Using a Kreg Jig," available at <<http://diydiva.net/2011/07/joinery-101-using-a-kreg-jig/>>, published on Jul. 18, 2011.

Modulus Arms, "Heavy-Duty Universal AR-15 80% Lower Receiver Jig Instructions," dated Jan. 14, 2016, 21 pages.

Iconic Industries Inc., "Legacy Instructions for Iconic Brand Jigs," <<https://www.iconicindustriesinc.com/finishing-fixturesjigs>>, for purposes of examination, consider published before Apr. 18, 2017, pp. 3-25.

* cited by examiner

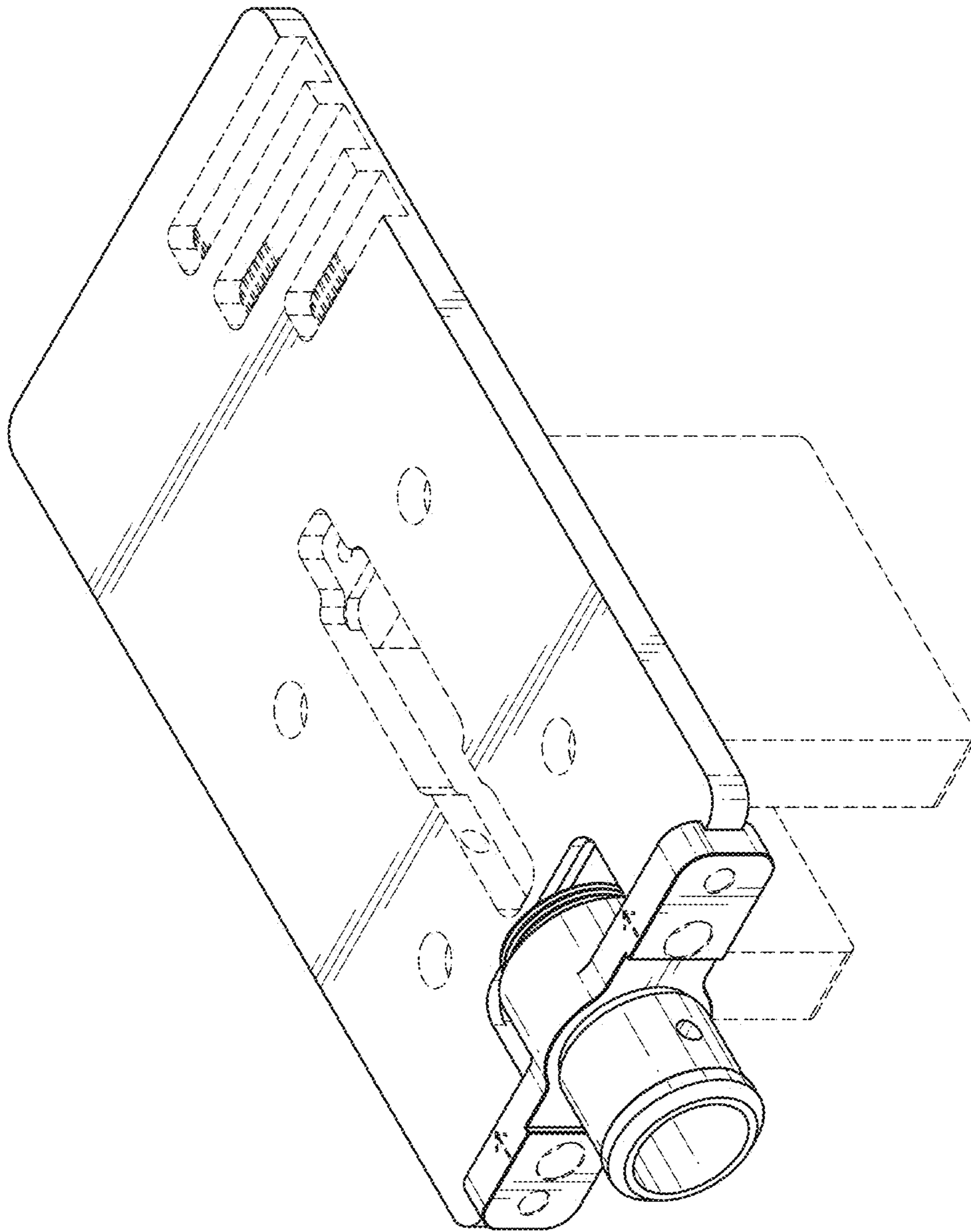


FIG. 1

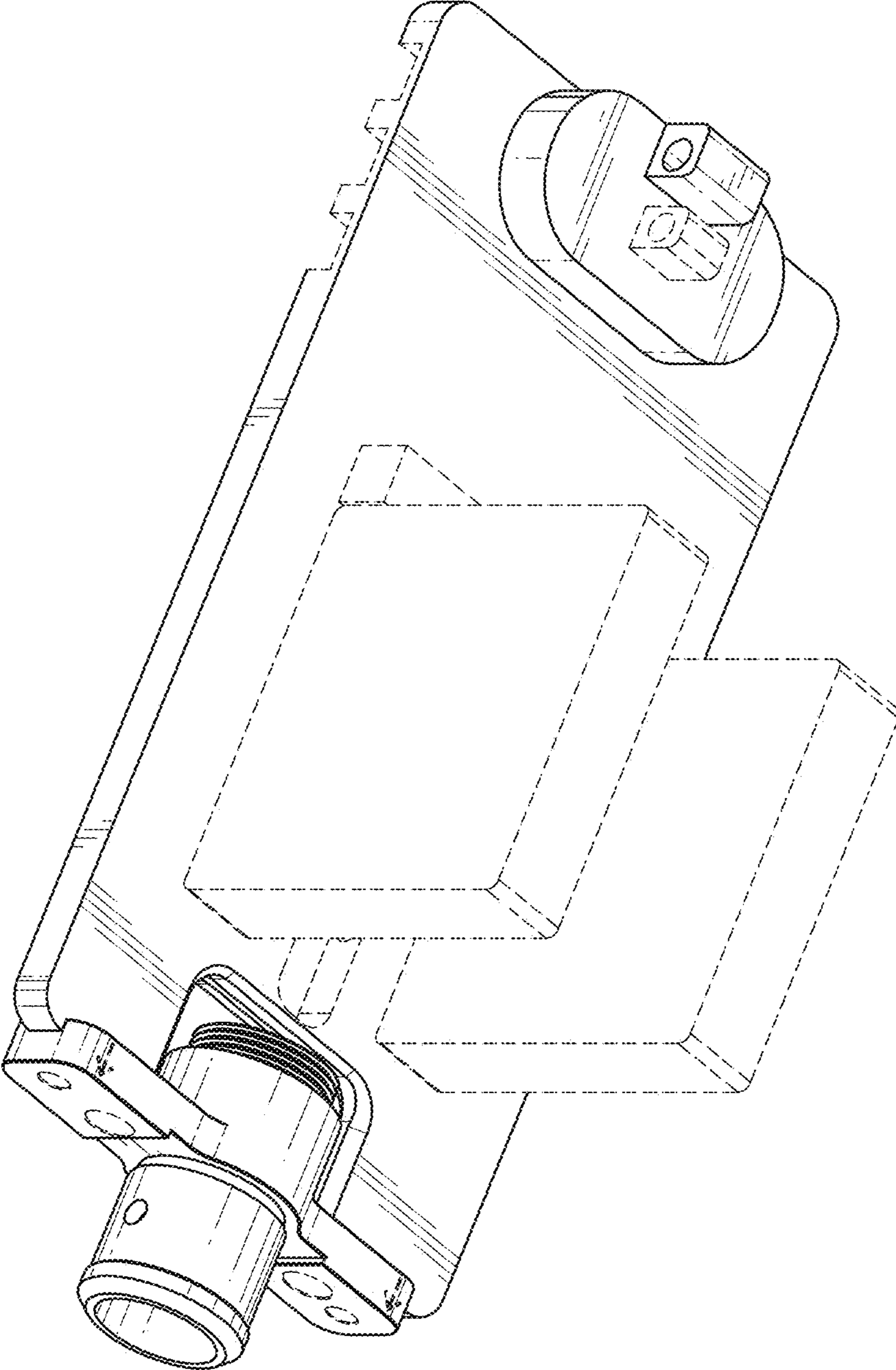


FIG. 2

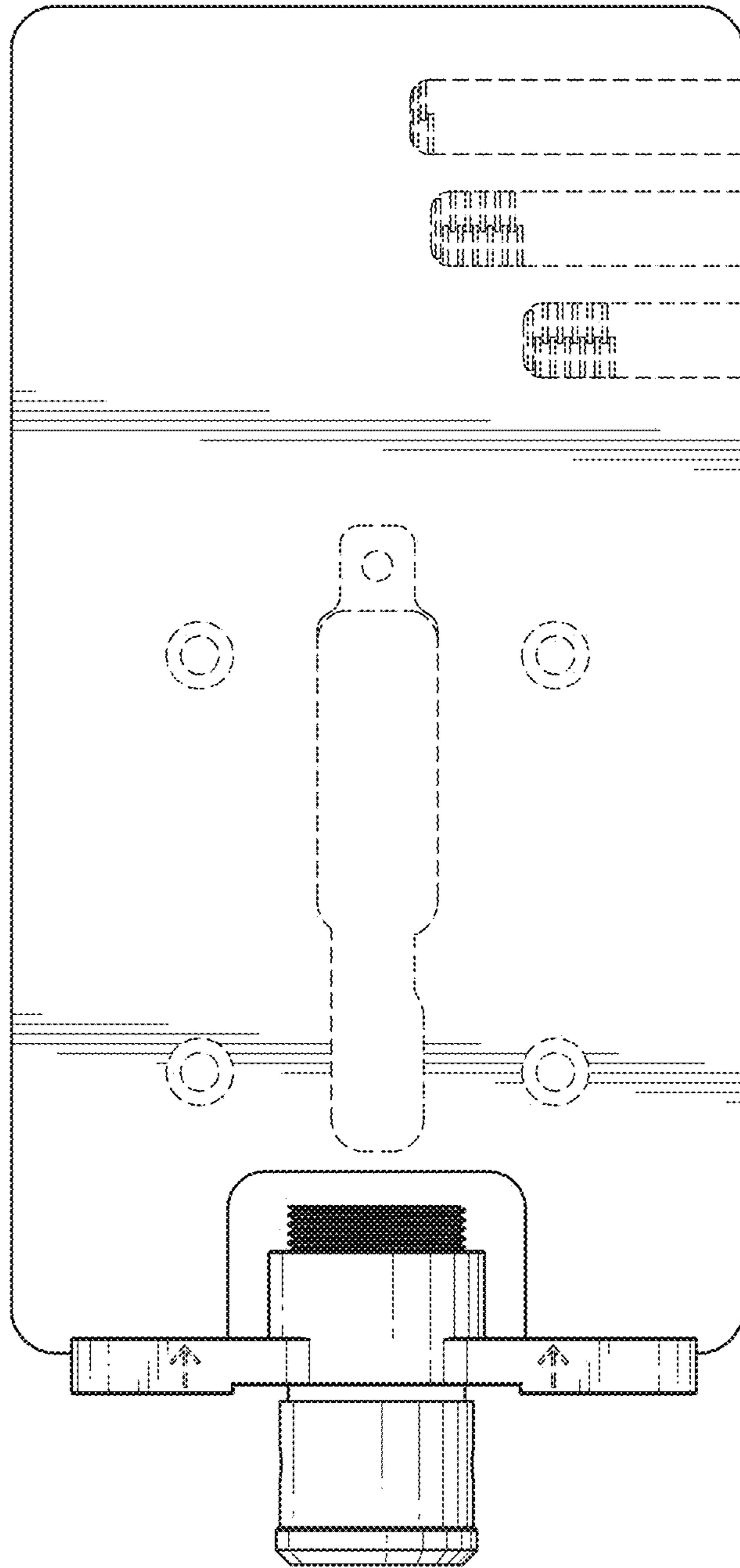


FIG. 3

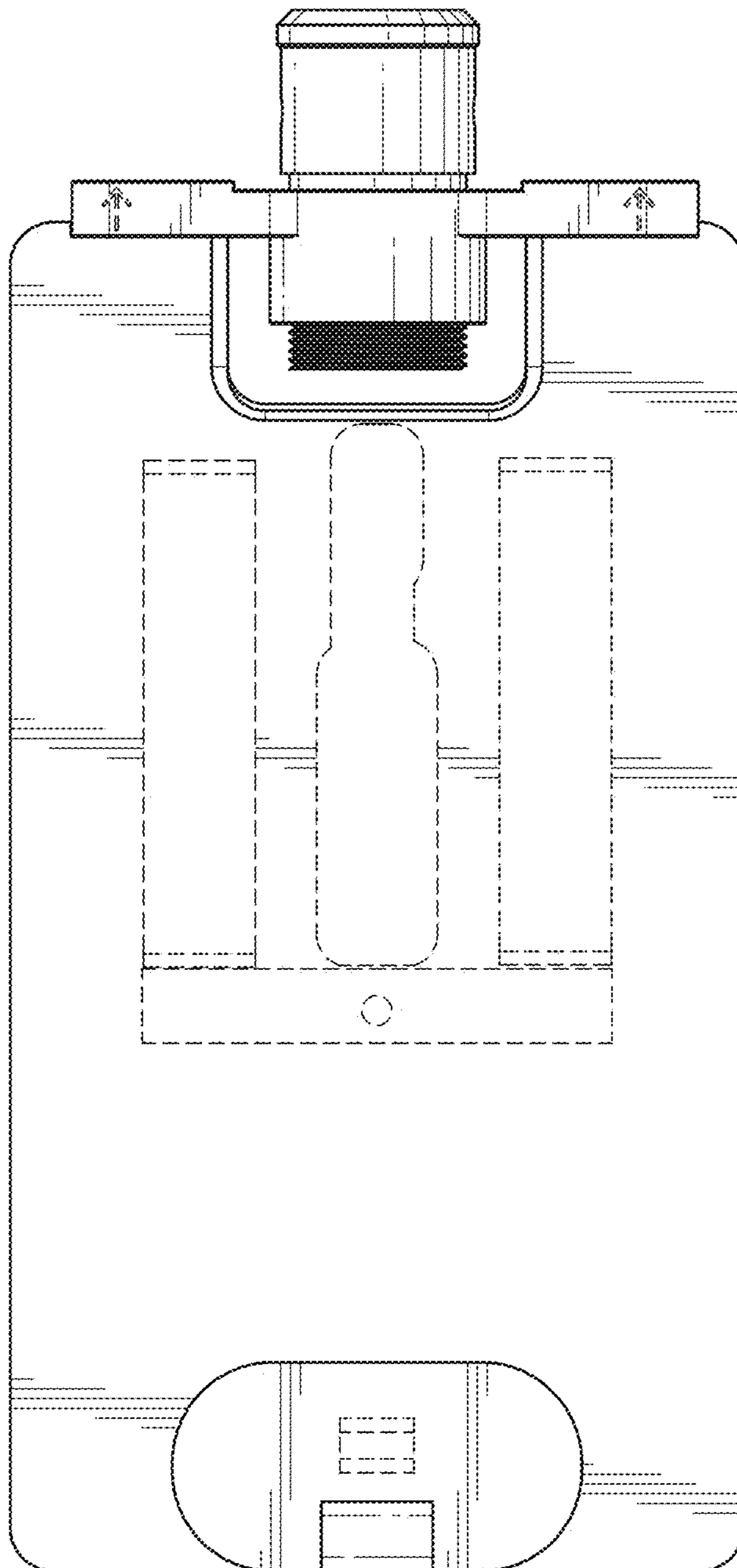


FIG. 4

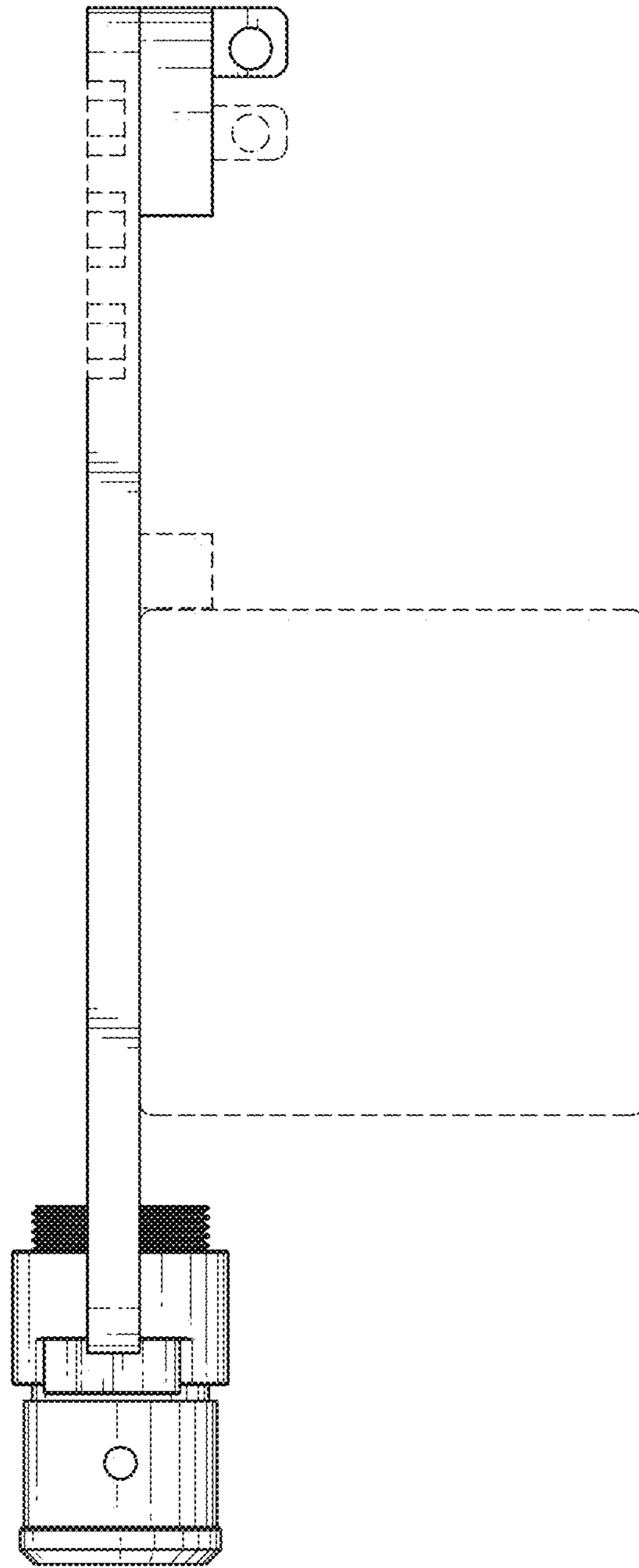


FIG. 5

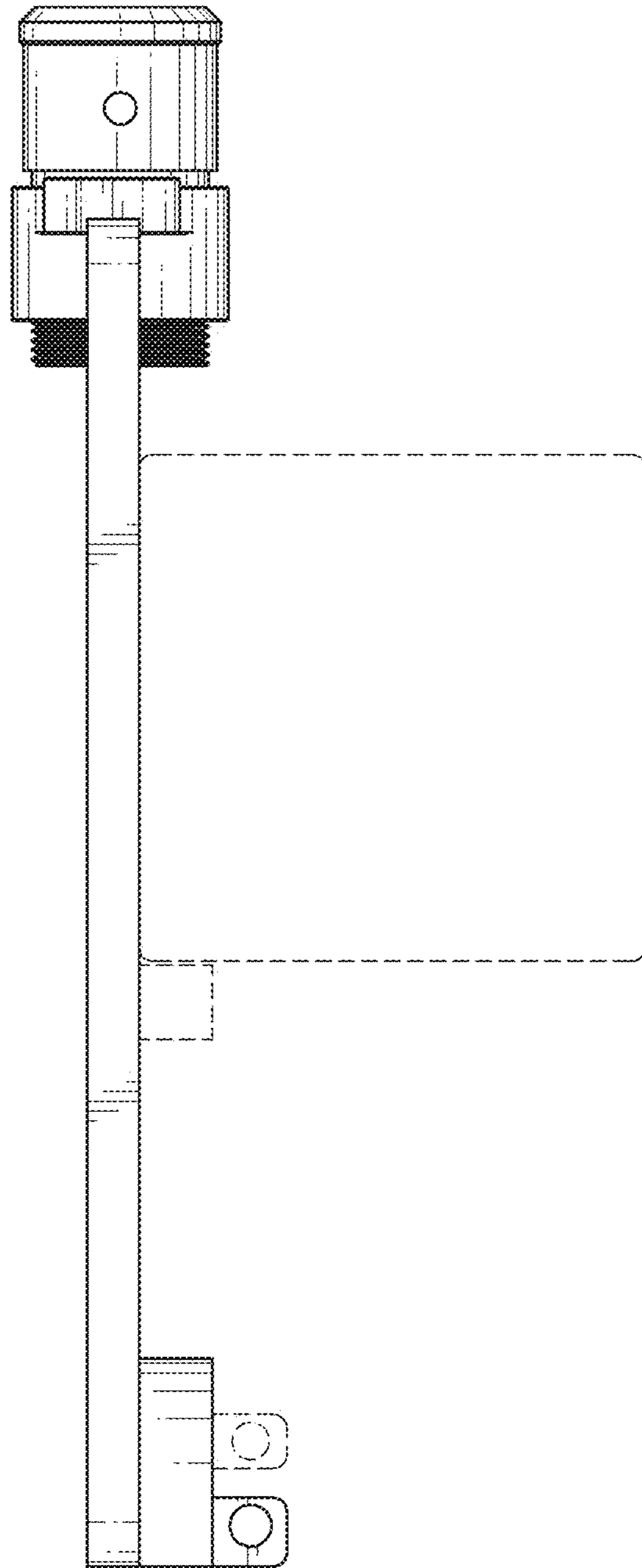


FIG. 6

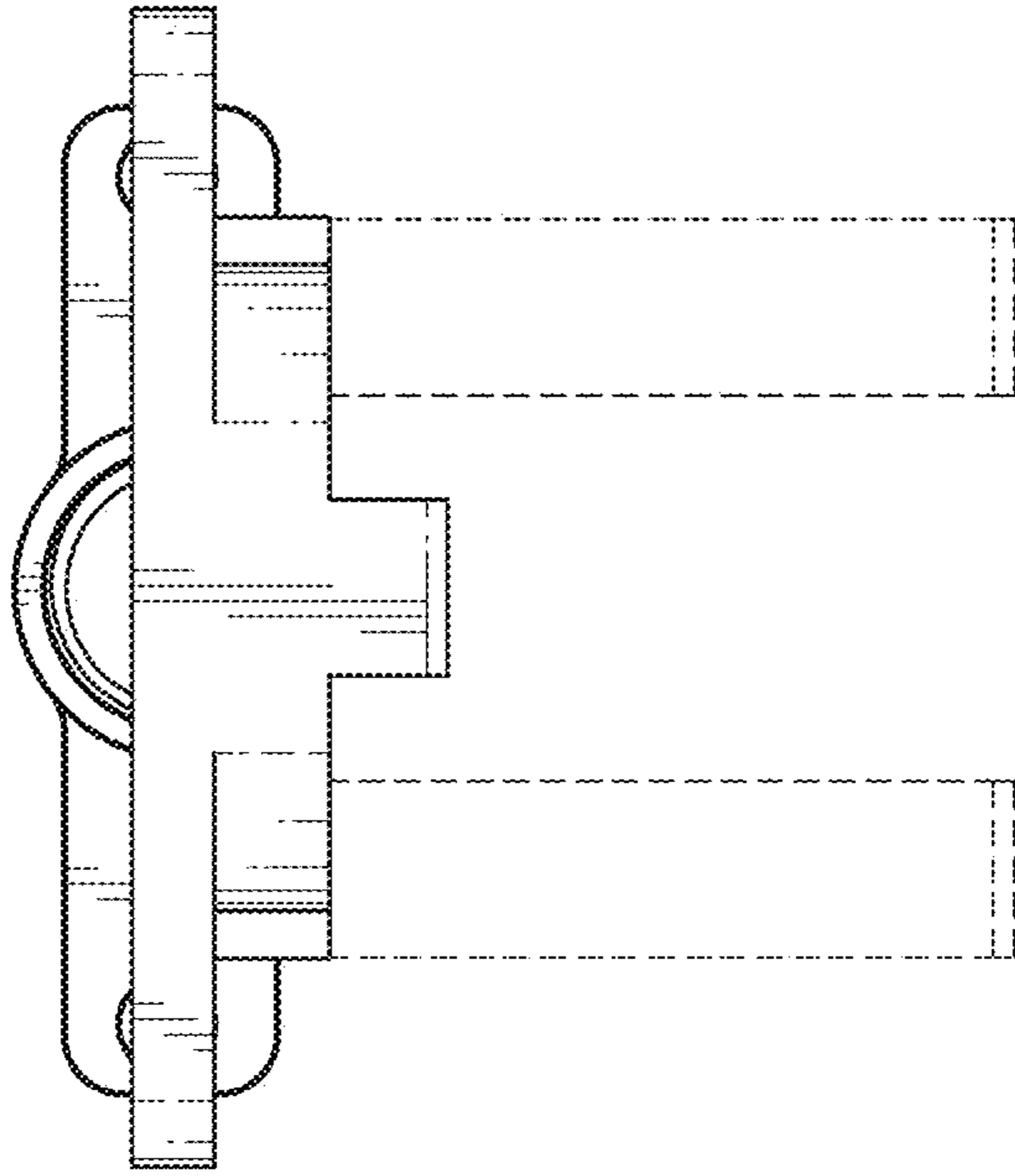


FIG. 7

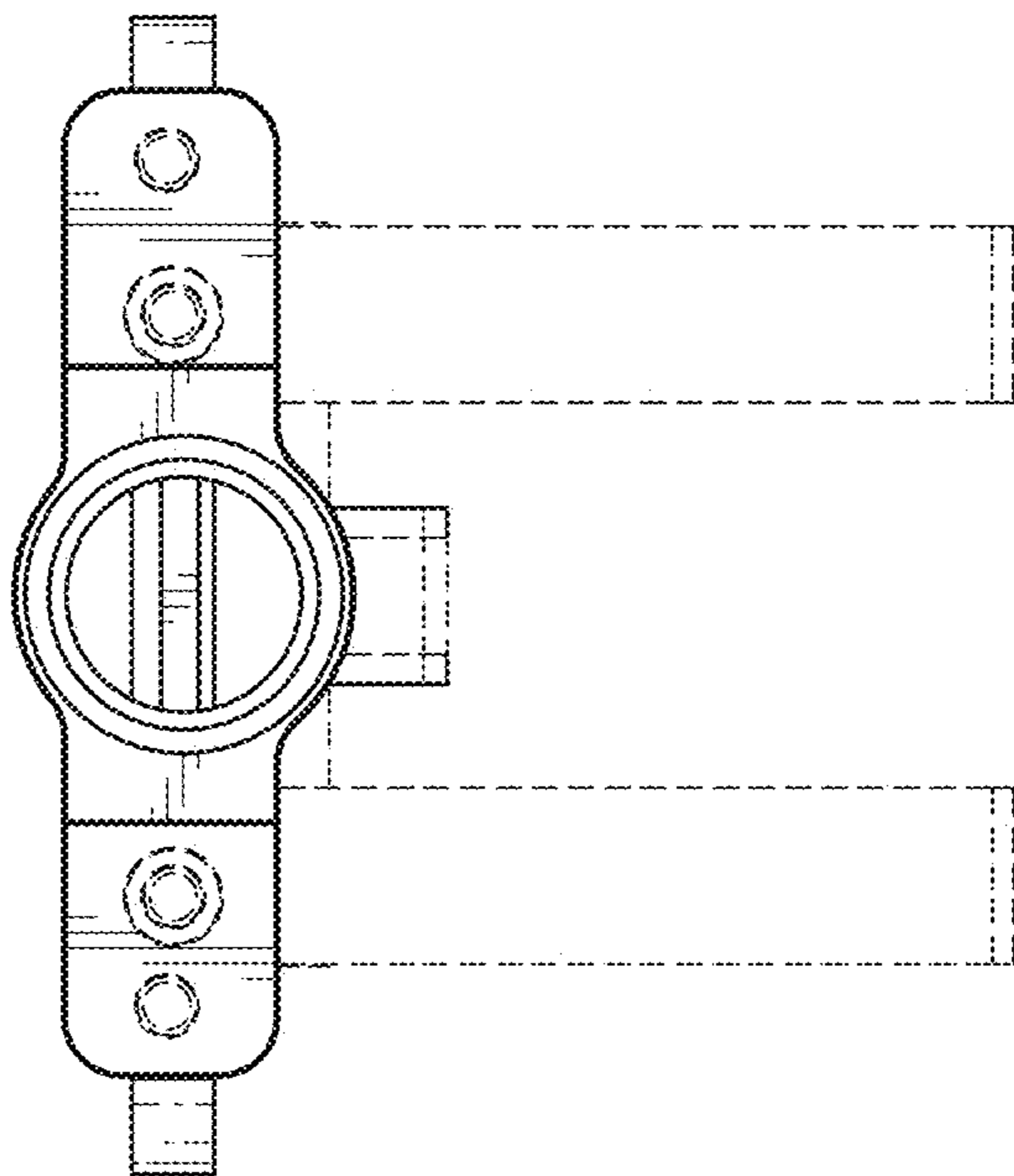


FIG. 8

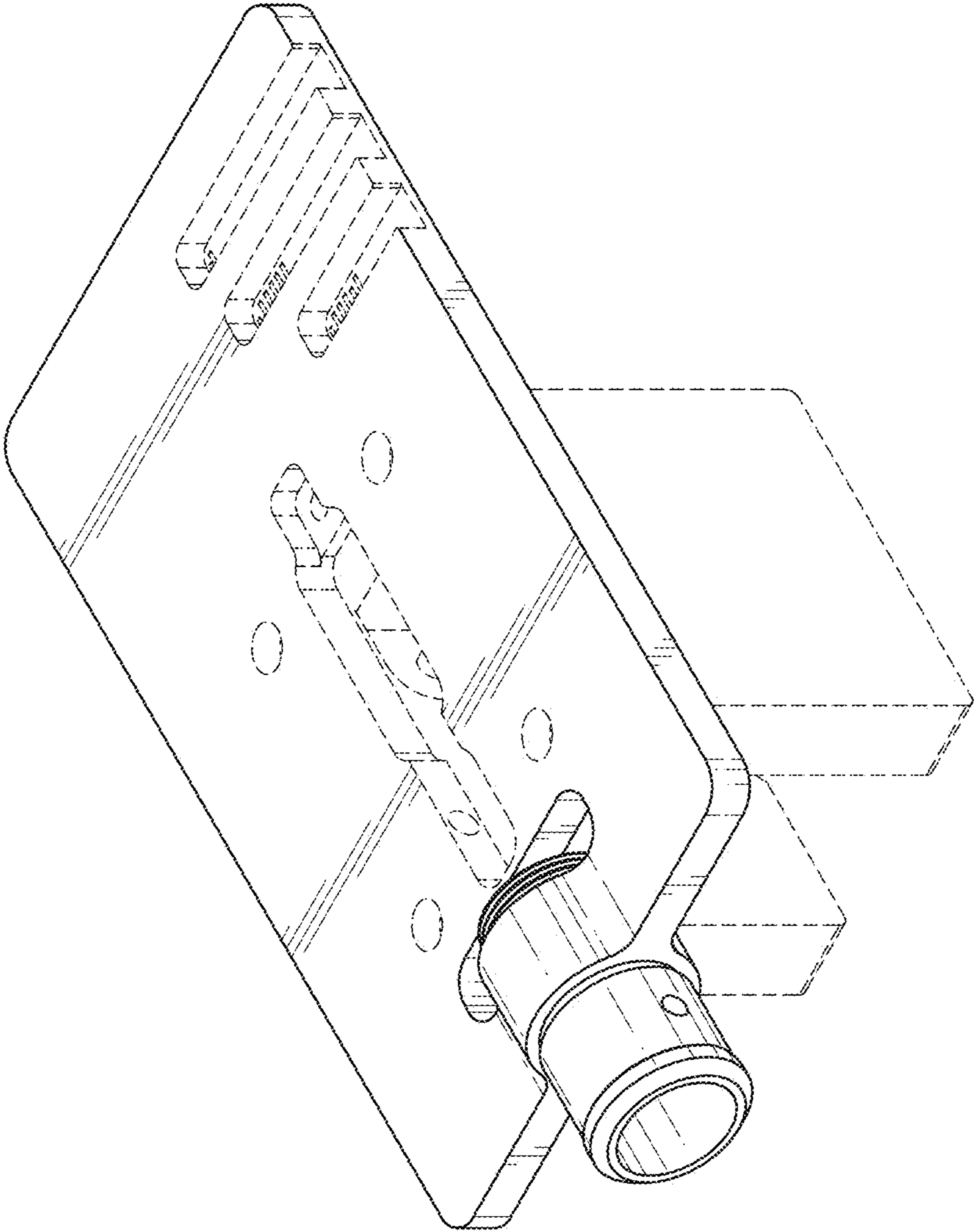


FIG. 9

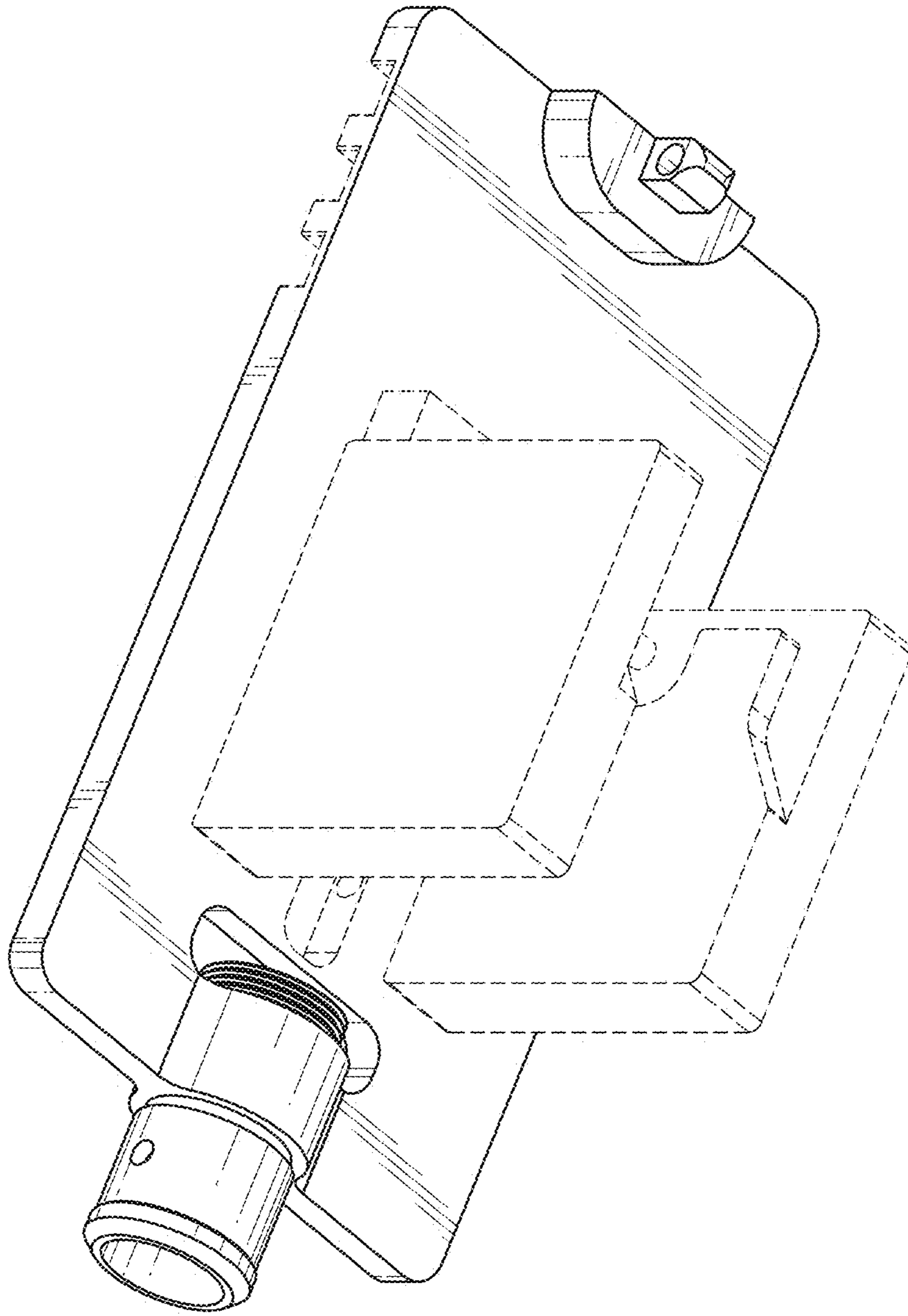


FIG. 10

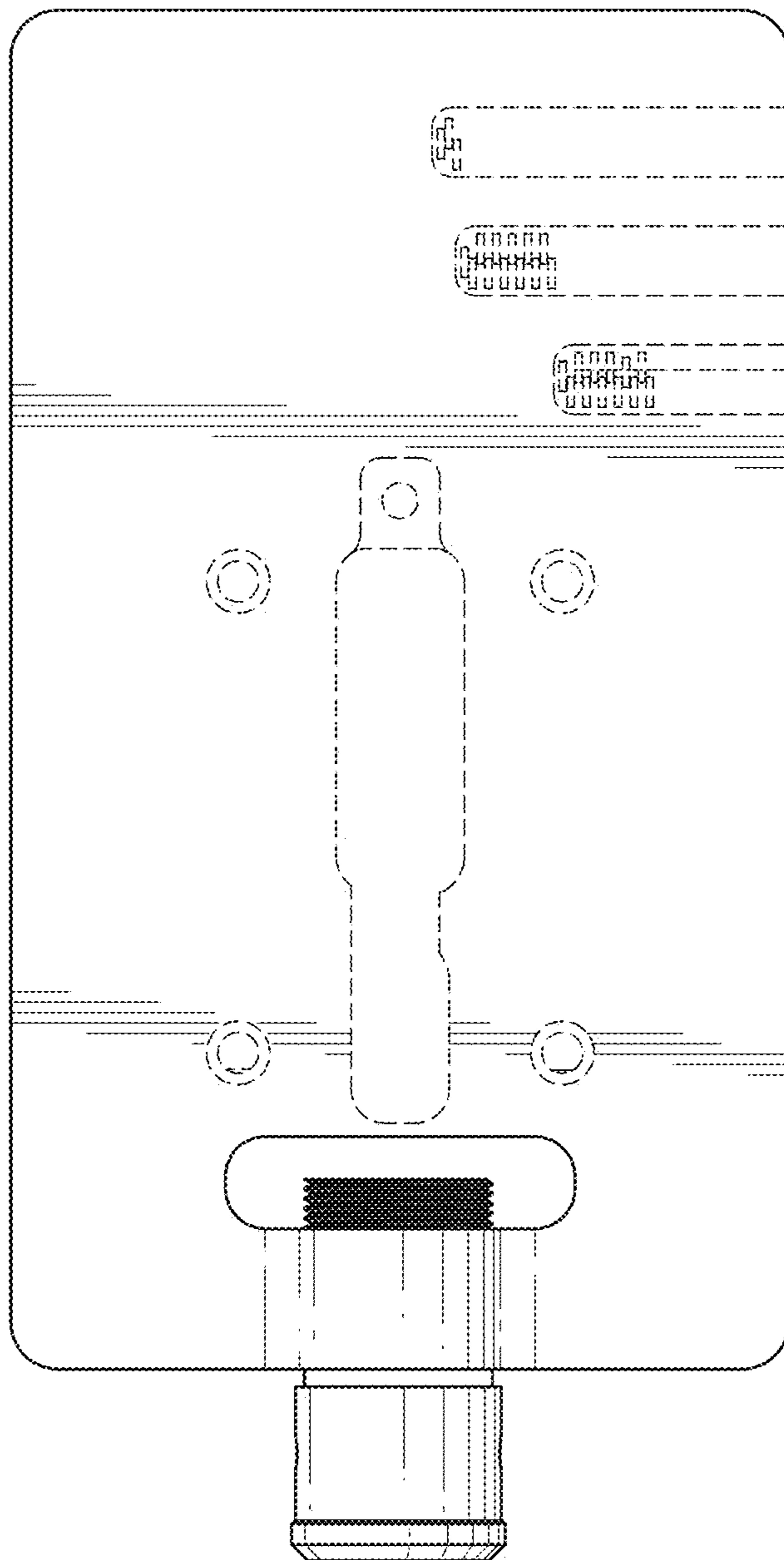


FIG. 11

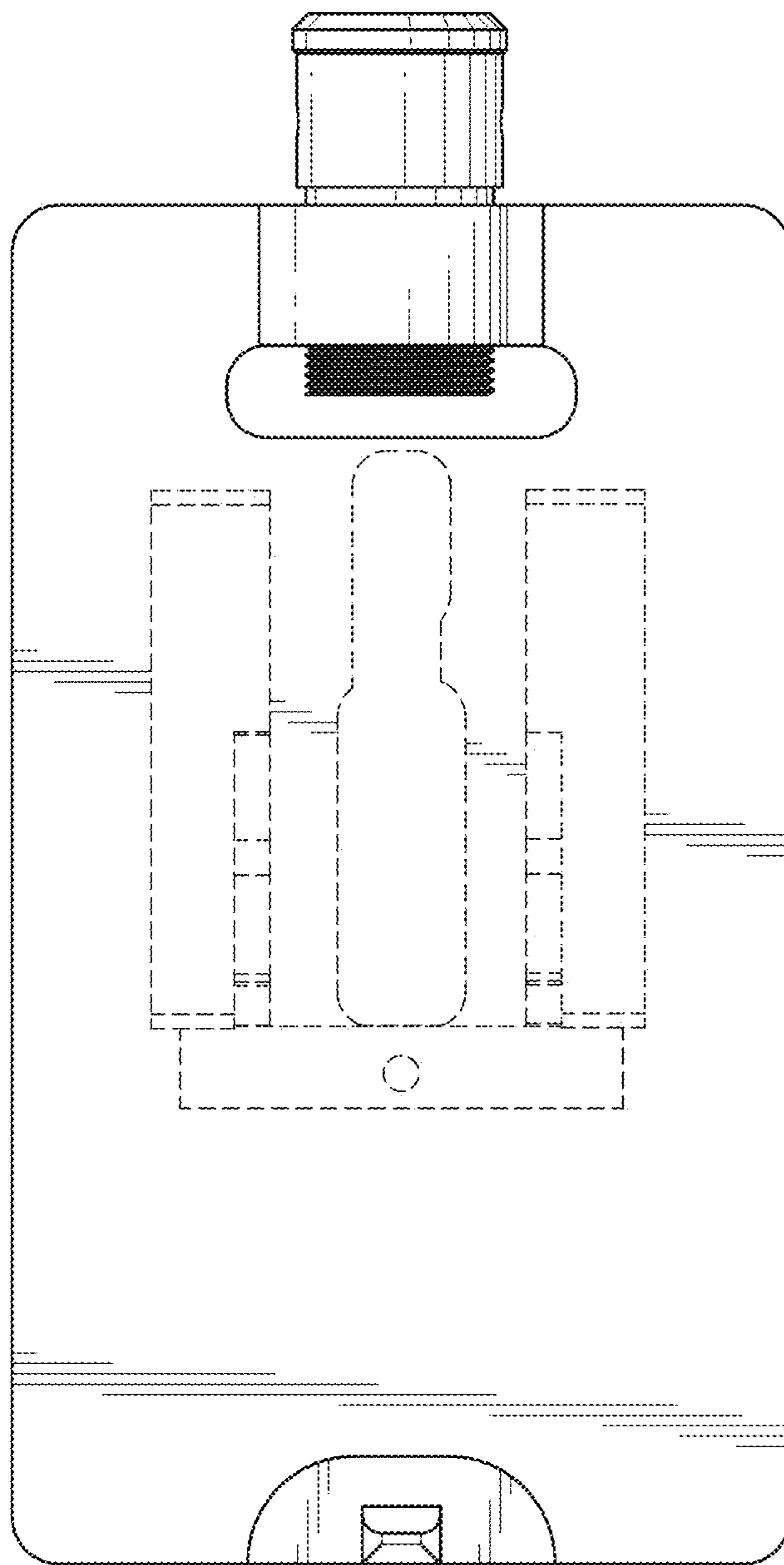


FIG. 12

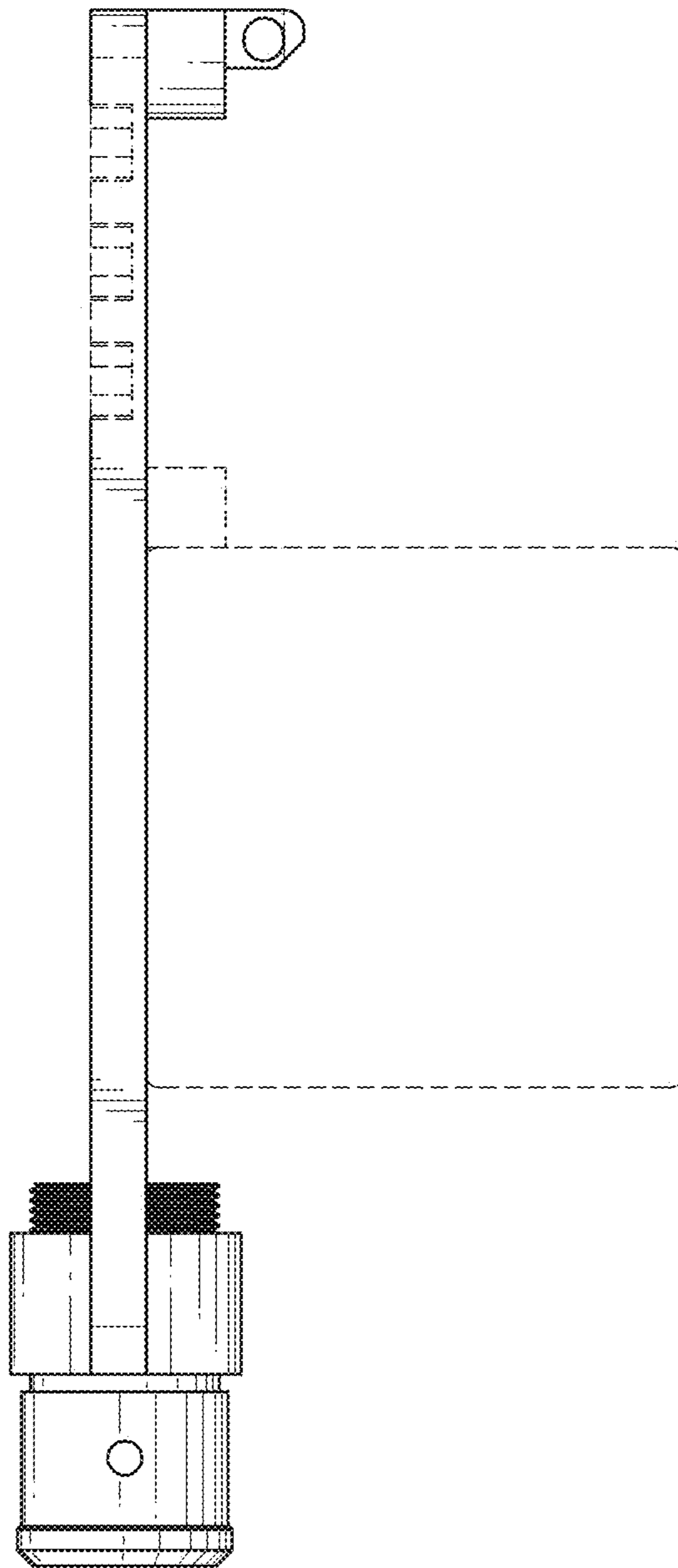


FIG. 13

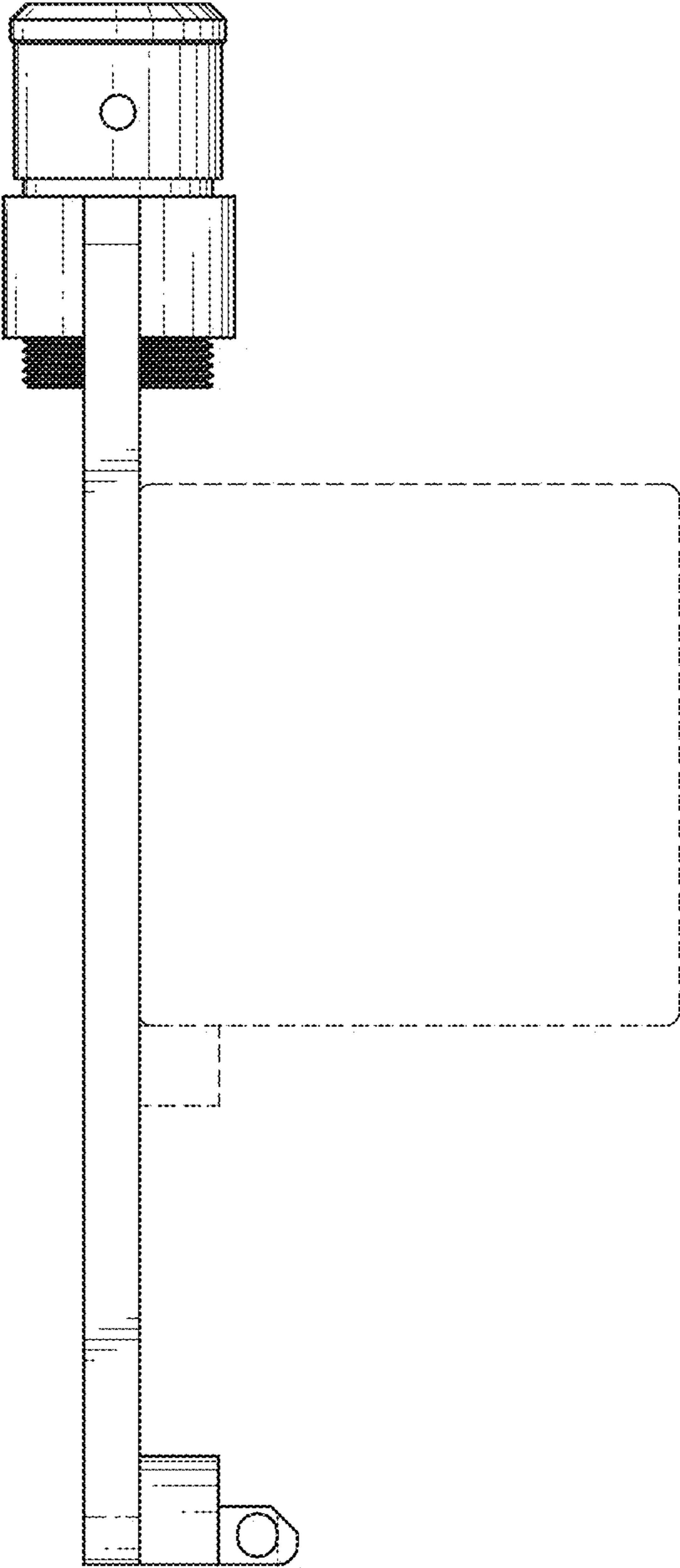


FIG. 14

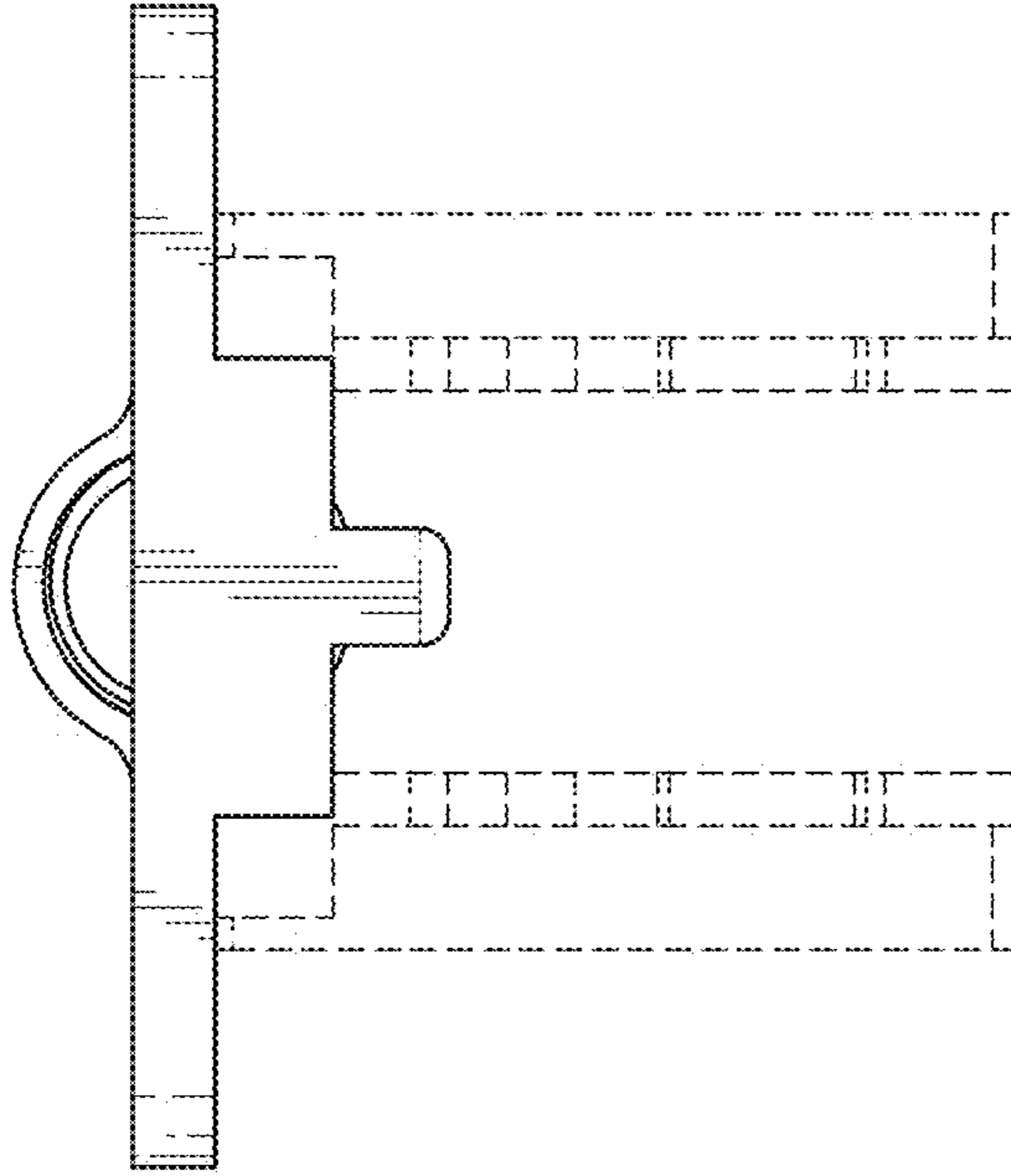


FIG. 15

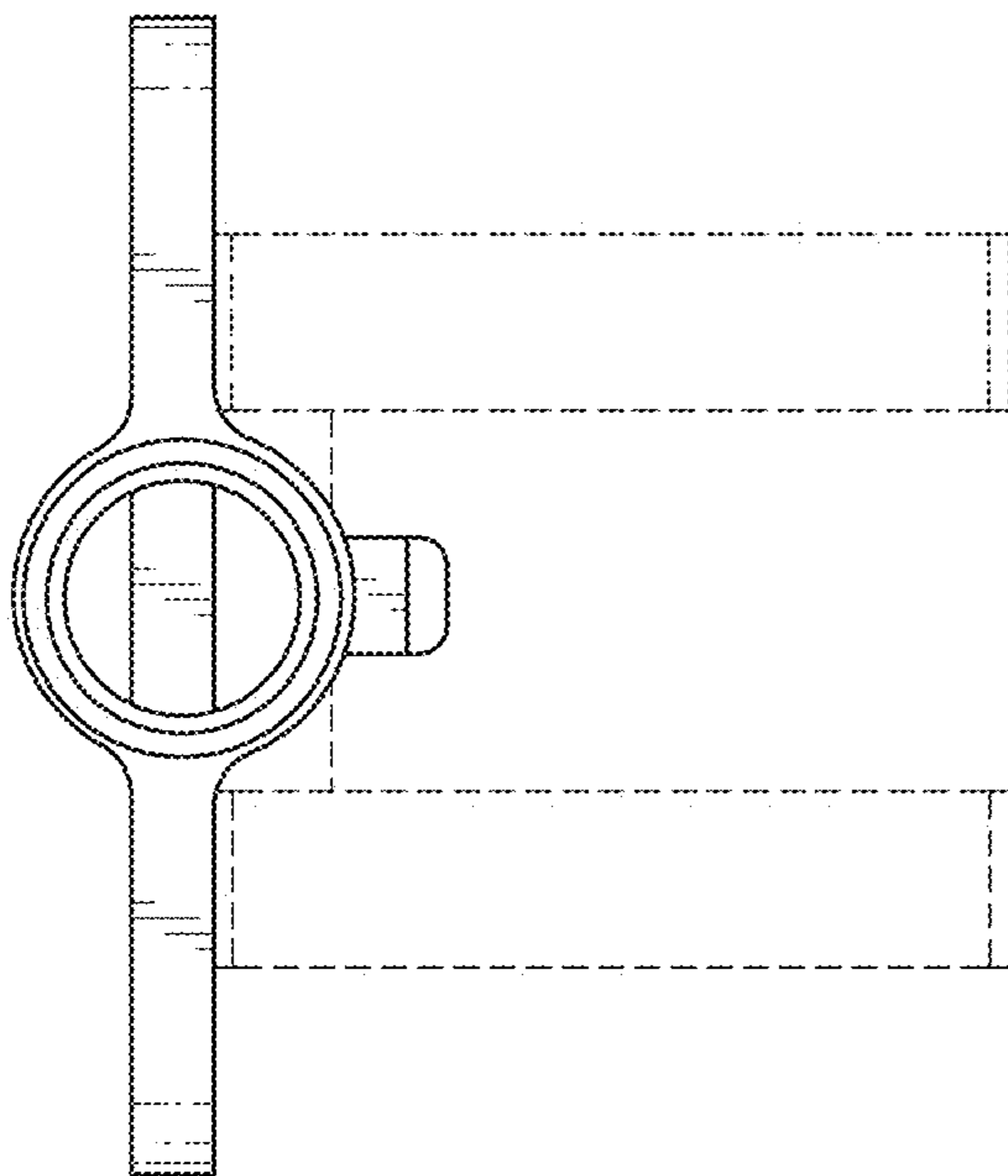


FIG. 16