

US00D847934S

(12) **United States Design Patent** (10) **Patent No.:** **US D847,934 S**
Hiler, Jr. et al. (45) **Date of Patent:** **** May 7, 2019**

(54) **FIREARM BARREL NUT**
(71) Applicant: **Spec Arms LLC**, Sparta, MI (US)
(72) Inventors: **Lee B. Hiler, Jr.**, Comstock Park, MI (US); **Tadd Richard Woodard**, Howard City, MI (US); **David McClaran Riser, II**, Ada, MI (US)
(73) Assignee: **Spec Arms LLC**, Sparta, MI (US)
(**) Term: **15 Years**

D734,828 S * 7/2015 Geissele D22/108
9,151,555 B1 10/2015 Huang
9,194,638 B2 11/2015 Larson, Jr. et al.
9,217,618 B1 12/2015 Miller, III
D746,936 S 1/2016 Huang
9,303,949 B1 4/2016 Oglesby
D755,338 S 5/2016 Slank
9,389,031 B2 7/2016 Gardner
9,389,043 B1 * 7/2016 Zhang
D765,211 S 8/2016 Huang
D773,585 S 12/2016 Miller, III
D773,587 S * 12/2016 Underwood D22/108
(Continued)

(21) Appl. No.: **29/628,065**
(22) Filed: **Dec. 1, 2017**
(51) **LOC (11) Cl.** **22-01**
(52) **U.S. Cl.**
USPC **D22/108**
(58) **Field of Classification Search**
USPC D22/100, 101, 103, 106, 108, 109, 110, D22/111, 117, 199; D21/300, 301, 570, D21/573, 574, 575
CPC F41B 5/14; F41B 5/00; F41C 27/00; F41C 23/14; F41C 23/06; F41C 3/00; F41C 7/00; F41C 23/20; F41C 23/08; F41C 23/10; F41G 11/003; F41G 1/18; F41G 1/38; F41G 1/545
See application file for complete search history.

(56) **References Cited**
U.S. PATENT DOCUMENTS
5,519,954 A 5/1996 Garrett
D603,011 S 10/2009 Fitzpatrick et al.
D636,832 S 4/2011 Mayberry et al.
D689,974 S 9/2013 Sharps
D710,476 S * 8/2014 Rogers D22/108
D723,130 S * 2/2015 Barrett D22/108
8,984,794 B1 3/2015 Saur
D726,862 S 4/2015 Crume, Sr.
D726,863 S 4/2015 Crume, Sr.
D727,454 S 4/2015 Robinson et al.

OTHER PUBLICATIONS

<https://www.youtube.com/watch?v=7q7QJvvxbB8>—Published on Jun. 18, 2013.*
(Continued)

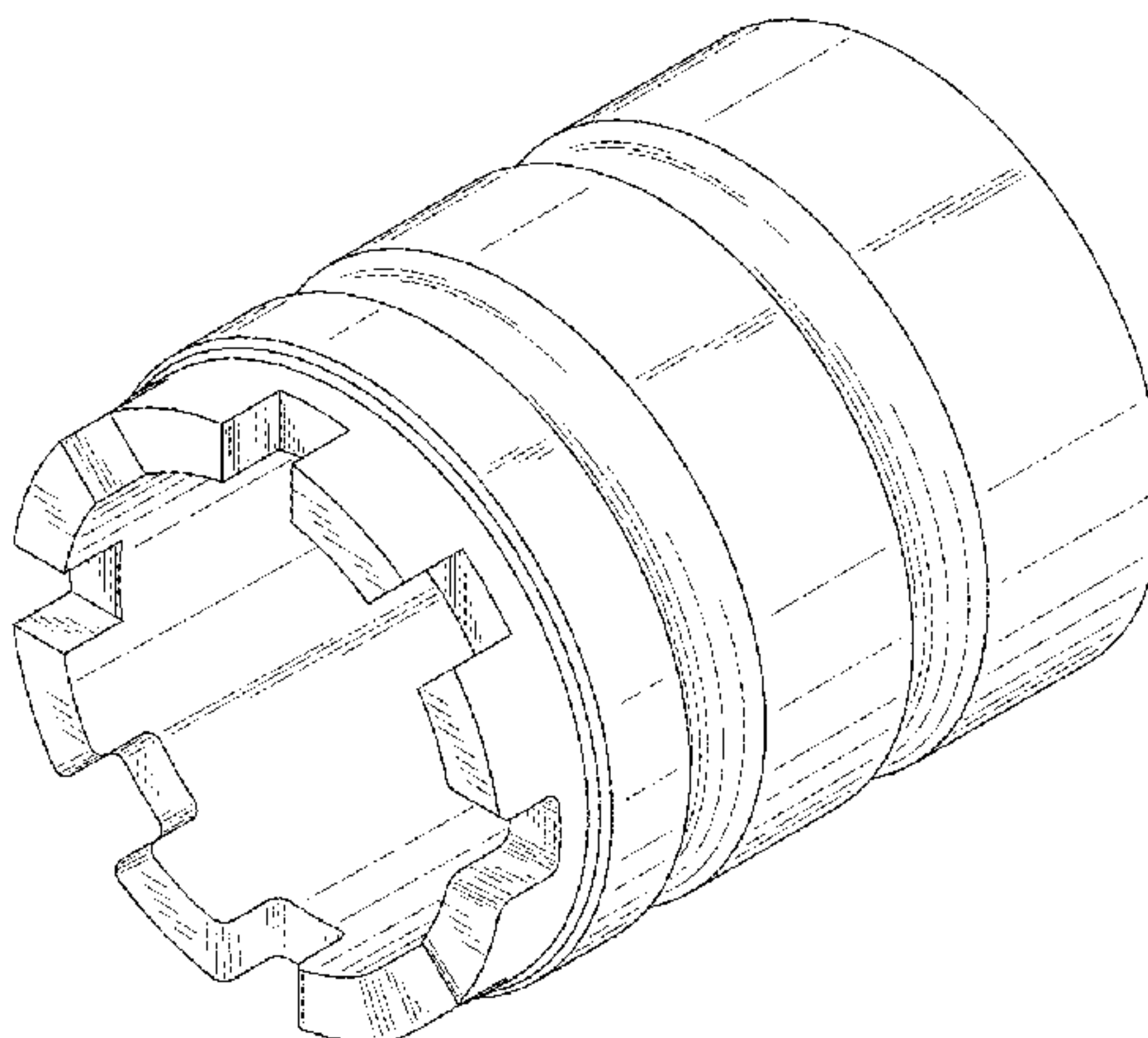
Primary Examiner — Khawaja Anwar
Assistant Examiner — Mojtaba Tehrani
(74) *Attorney, Agent, or Firm* — Warner Norcross + Judd LLP

(57) **CLAIM**
The ornamental design for a firearm barrel nut, as shown and described.

DESCRIPTION

FIG. 1 is a perspective view of the firearm barrel nut embodying the new design;
FIG. 2 is a right side view thereof;
FIG. 3 is a left side view thereof;
FIG. 4 is a top plan view thereof;
FIG. 5 is a bottom plan view thereof;
FIG. 6 is a front view thereof; and,
FIG. 7 is a rear view thereof.
The broken lines in the drawings depict portions of the barrel nut that form no part of the claimed design.

1 Claim, 4 Drawing Sheets



(56)

References Cited

U.S. PATENT DOCUMENTS

D782,596 S 3/2017 Angstadt et al.
 D789,480 S * 6/2017 Olsen D22/108
 D795,379 S 8/2017 Frederickson et al.
 D795,983 S 8/2017 Cross
 9,829,272 B2 11/2017 Brown
 D805,154 S 12/2017 Steele et al.
 2002/0089767 A1 * 7/2002 Bell G02B 23/14
 359/823
 2005/0183317 A1 8/2005 Finn
 2010/0281736 A1 11/2010 Mayberry et al.
 2013/0180151 A1 * 7/2013 Moore F41C 27/00
 42/90
 2014/0026459 A1 * 1/2014 Ding et al.
 2014/0033590 A1 * 2/2014 Gomez F41A 21/48
 42/75.02
 2014/0165439 A1 6/2014 Fernandez et al.
 2014/0224235 A1 8/2014 Liao
 2014/0331535 A1 11/2014 Robinson et al.
 2014/0373419 A1 * 12/2014 Leclair
 2015/0153125 A1 6/2015 Lutton et al.
 2015/0354912 A1 12/2015 Miller, III
 2016/0084601 A1 3/2016 Alicea, Jr.
 2016/0091276 A1 * 3/2016 Miller et al.
 2016/0178316 A1 * 6/2016 Miller et al.
 2016/0273857 A1 9/2016 Pettit et al.
 2017/0160032 A1 6/2017 Overstreet et al.
 2017/0199006 A1 * 7/2017 Hwang F41A 21/484

2017/0254610 A1 * 9/2017 Hill F41A 21/482
 2017/0299326 A1 * 10/2017 Seekins
 2018/0202757 A1 * 7/2018 Dreher et al.

OTHER PUBLICATIONS

<https://www.thefirearmblog.com/blog/2017/08/30/samsons-new-sxs-lightweight-m-lok-handguards/>—Published Aug. 30, 2017.*
 AT3 Tactical article The 7 Things to Look for in an AR-15 Handguard downloaded from <https://www.at3tactical.com/blogs/news/9243847-the-7-things-to-look-for-in-an-ar-15-handguard> on Jun. 13, 2017.
 AR-Stoner Replacement Barrel Nut Kit for AR-Stoner AR-15 Handguard downloaded from <https://www.midwayusa.com/product/1017945720/ar-stoner-replacement-barrel-nut-kit-for-ar-stoner-ar-15-handguard> on Oct. 30, 2017.
 AR-15 Alpha-Hunter, SpecArmsllc.com, [online], [site visited Mar. 16, 2018]. <URL: <https://www.specarmsllc.com/product-page/ar-15-alpha-hunter-specials>> (Year: 2018).
 AR-15 Alpha-Defender, SpecArmsllc.com, [online], [site visited Mar. 16, 2018]. <URL: <https://www.specarmsllc.com/product-page/ar-15-alpha-defender-specials>> (Year: 2018).
 Battle Arms Development AR-15 BAD556-LW Receiver Set, RainierArms.com, [online], [site visited Mar. 16, 2018]. <URL: <https://www.rainierarms.com/battle-arms-development-bad556-lw-receiver-set/>> (Year 2018).

* cited by examiner

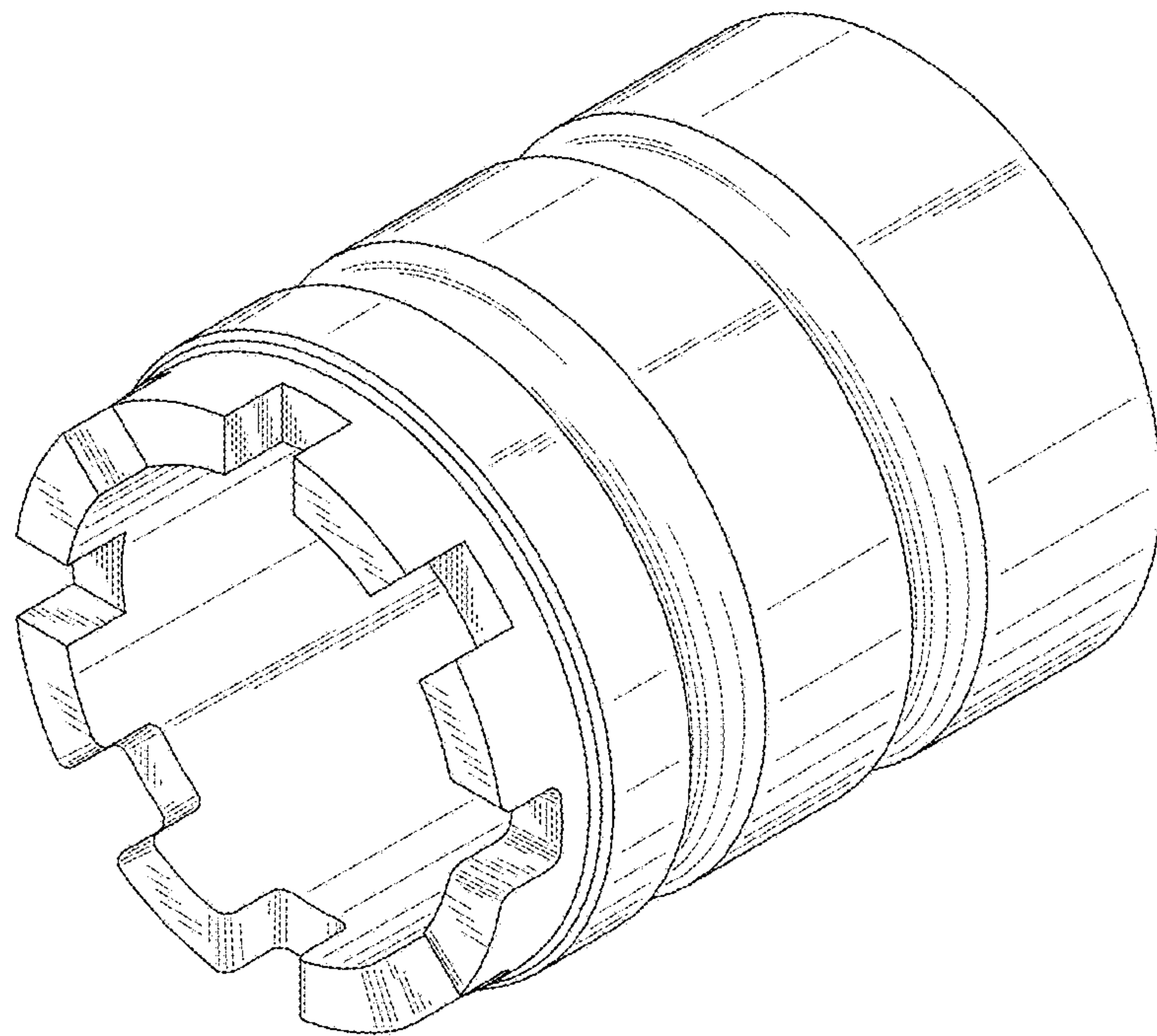


Fig. 1

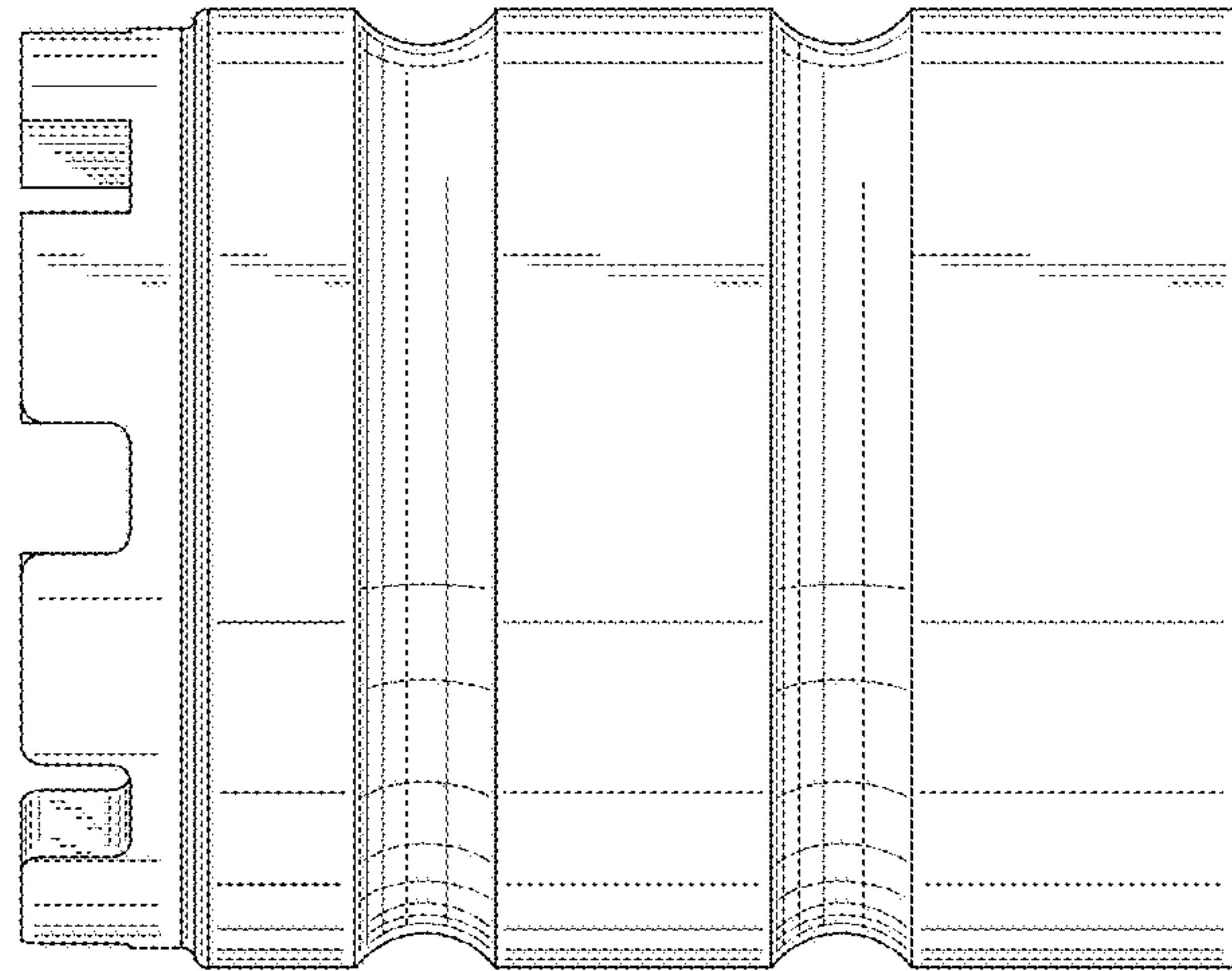


Fig. 2

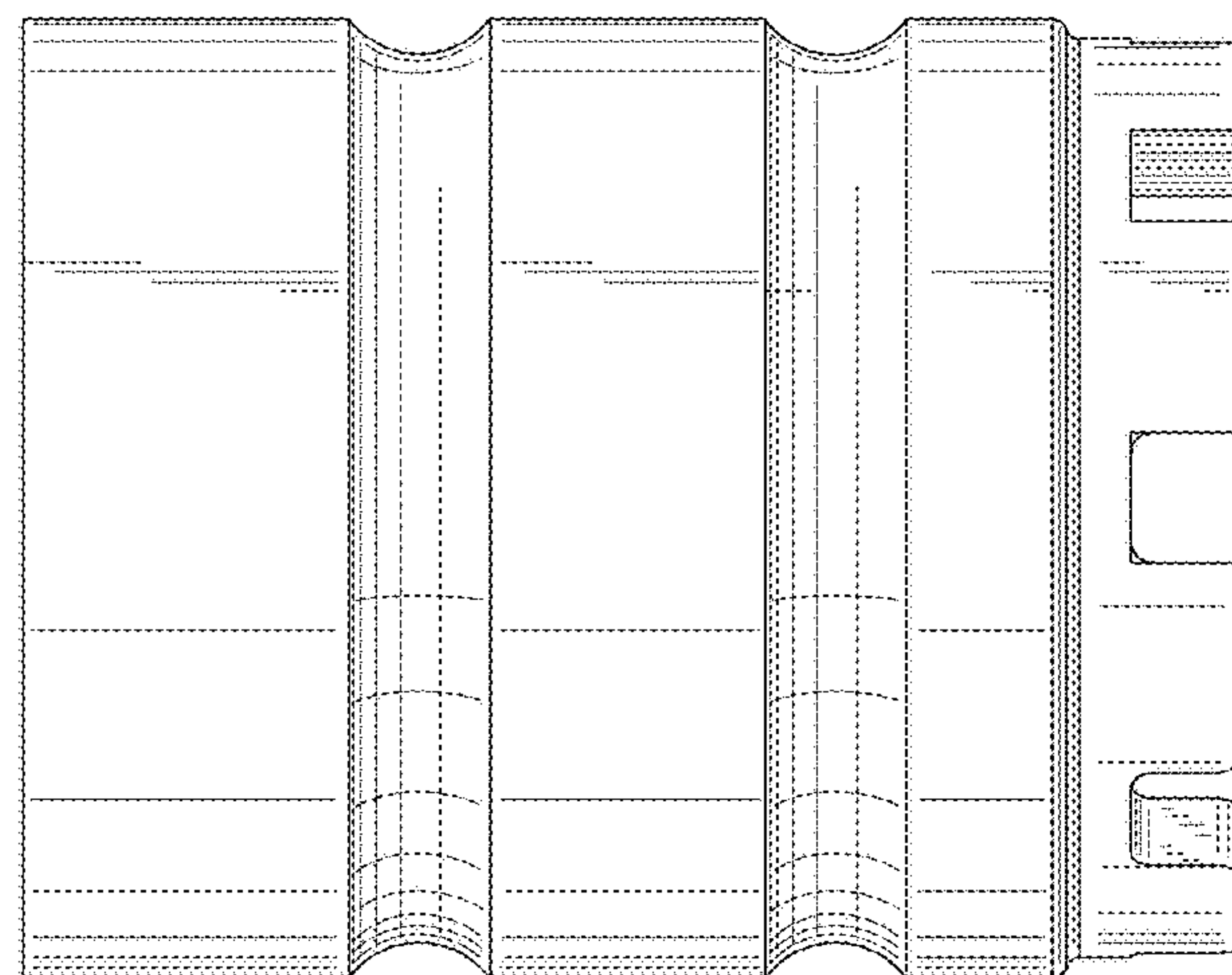


Fig. 3

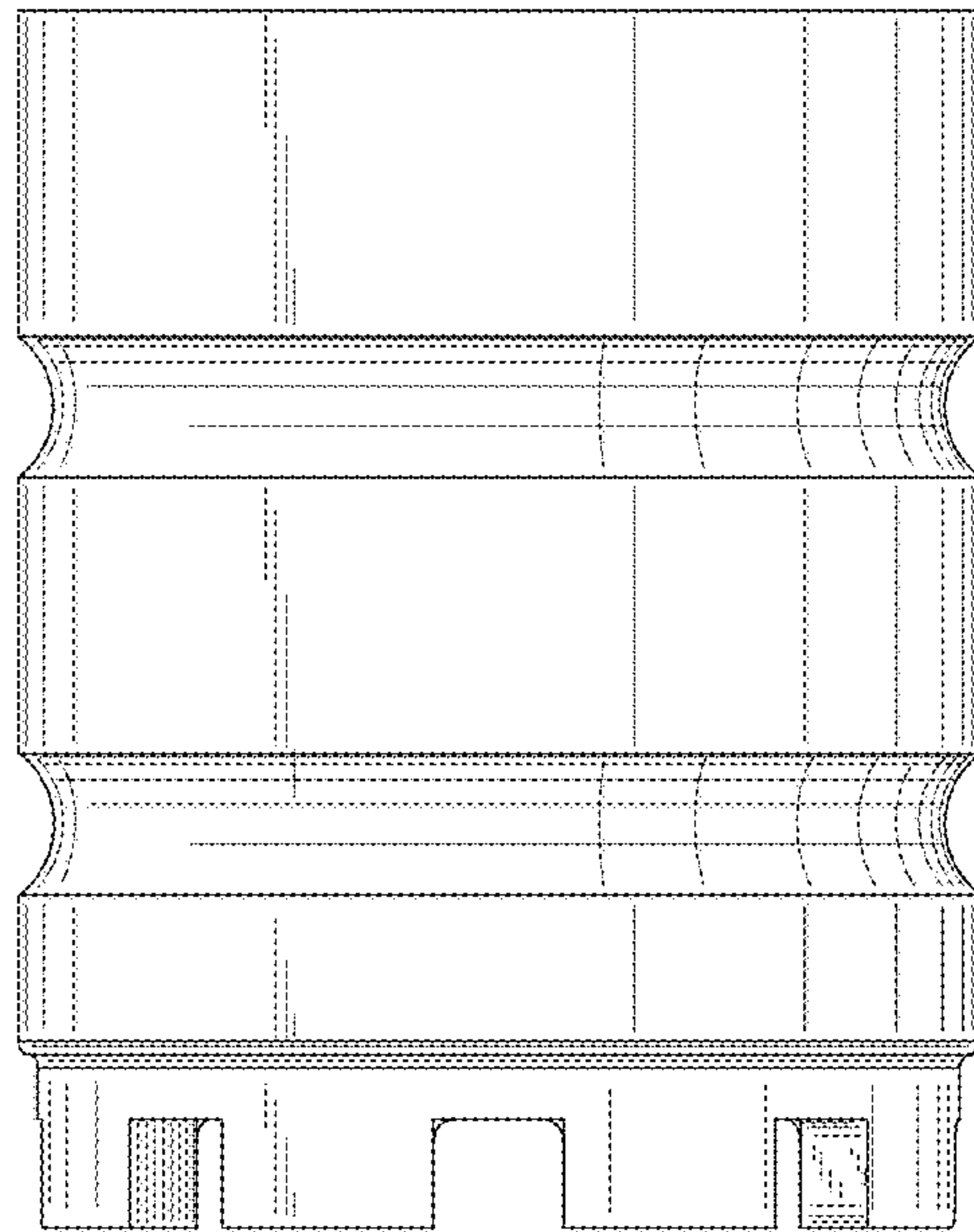


Fig. 4

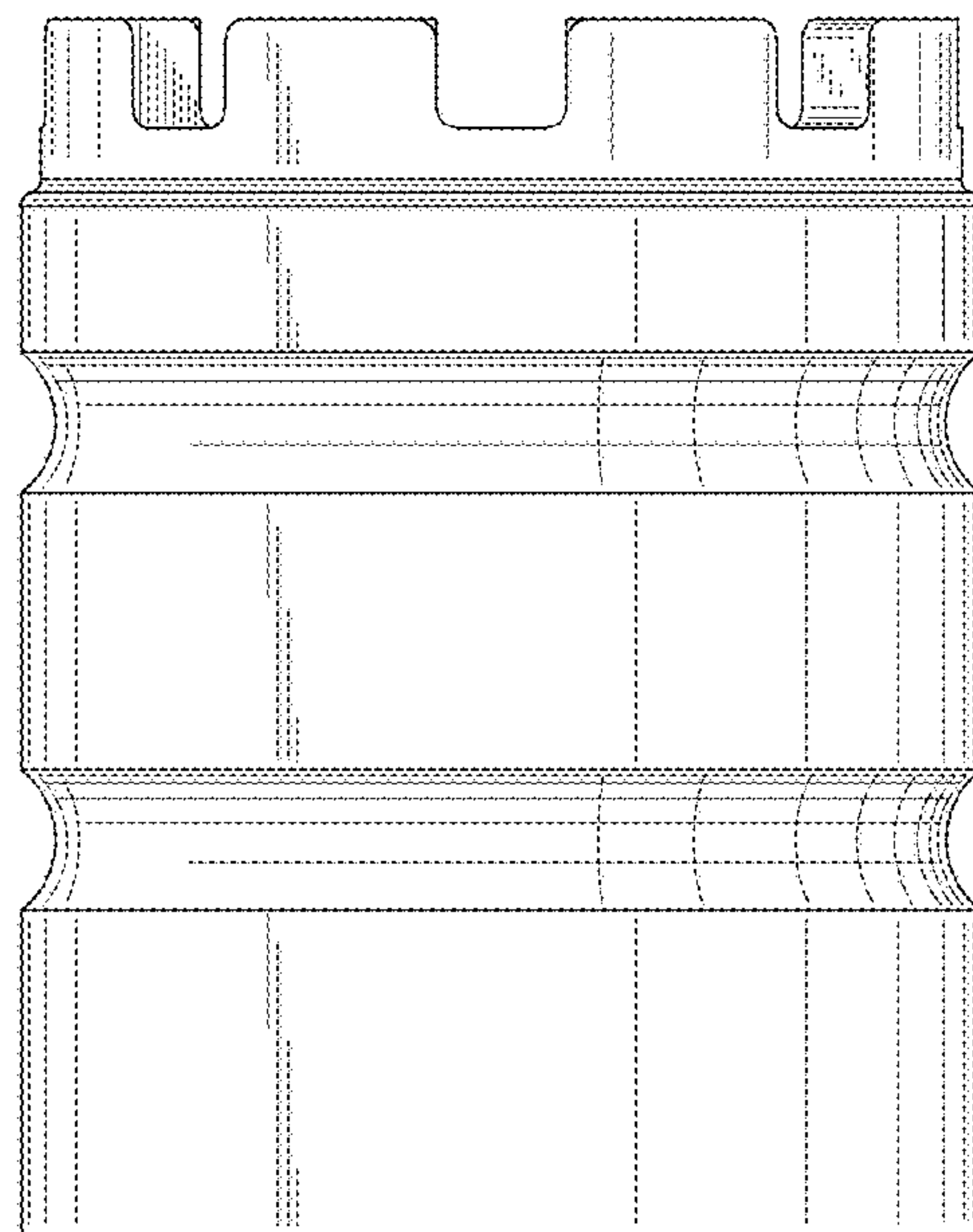


Fig. 5

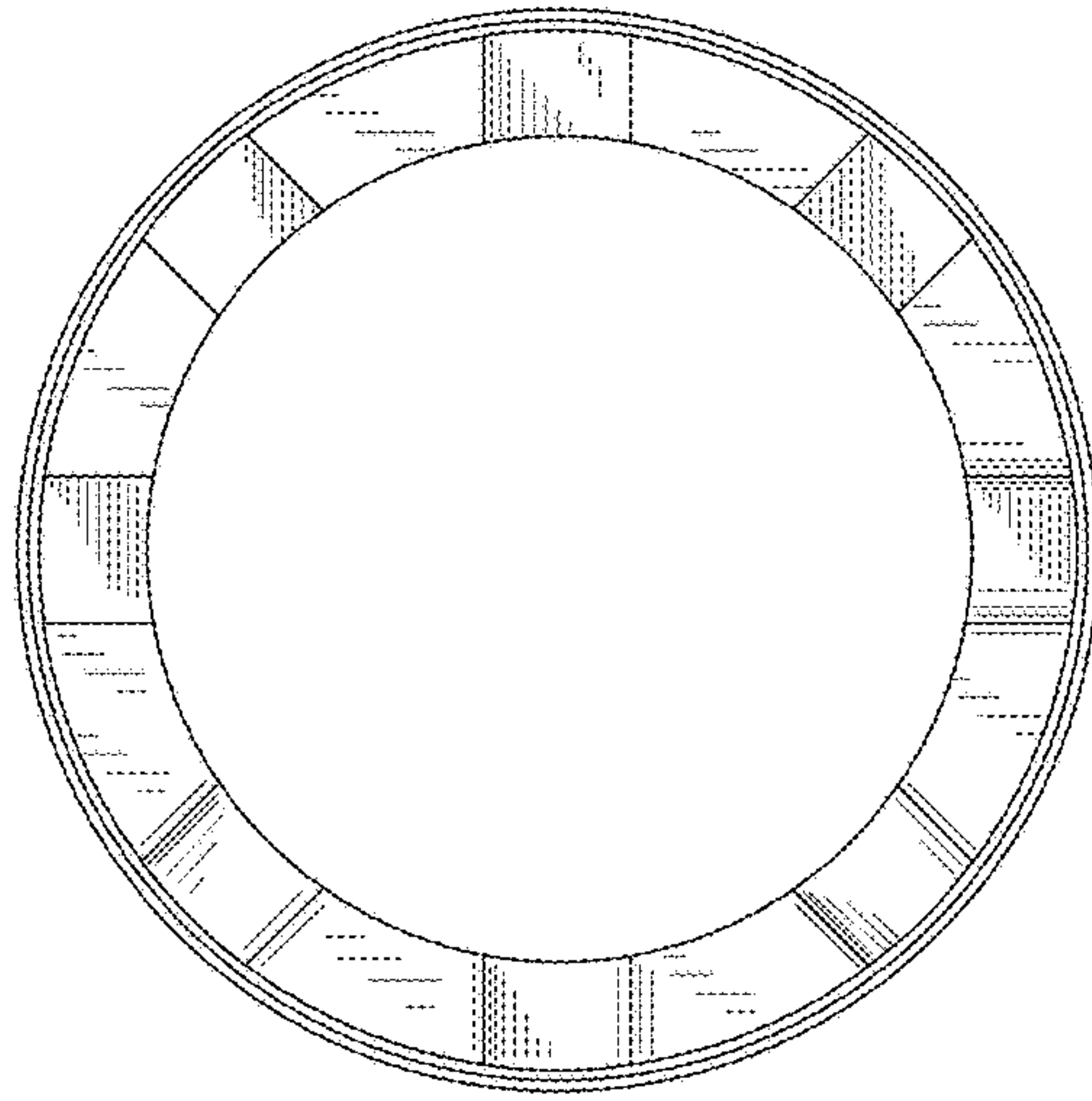


Fig. 6

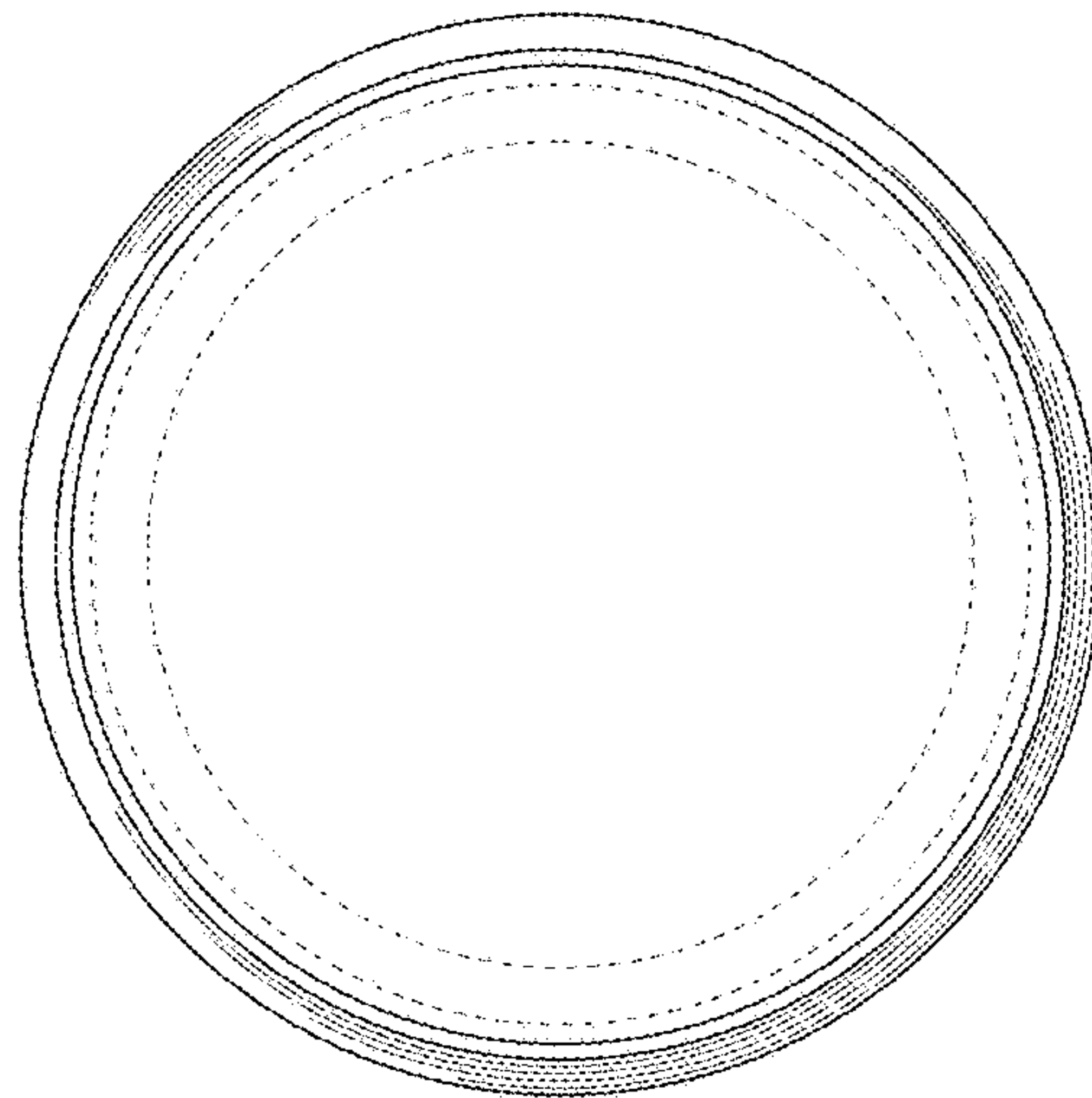


Fig. 7