



US00D847932S

(12) **United States Design Patent**
Reavis, III

(10) **Patent No.:** **US D847,932 S**

(45) **Date of Patent:** **** May 7, 2019**

(54) **HANDGUN BRACE**

(71) Applicant: **Johnson Paul Reavis, III**, Christiana, TN (US)

(72) Inventor: **Johnson Paul Reavis, III**, Christiana, TN (US)

(73) Assignee: **Gear Head Works, LLC**, Christiana, TN (US)

(**) Term: **15 Years**

(21) Appl. No.: **29/606,089**

(22) Filed: **Jun. 1, 2017**

Related U.S. Application Data

(63) Continuation of application No. 15/485,345, filed on Apr. 12, 2017, which is a continuation of application (Continued)

(51) **LOC (11) Cl.** **22-01**

(52) **U.S. Cl.**
USPC **D22/108**

(58) **Field of Classification Search**
USPC **D22/108**
(Continued)

(56) **References Cited**

U.S. PATENT DOCUMENTS

6,347,475 B1 * 2/2002 Trostel F41A 9/60
42/98

8,109,026 B1 2/2012 Bentley et al.
(Continued)

OTHER PUBLICATIONS

Shockwave Technologies; the Blade Pistol Brace, http://shockwavetechnologies.com/site/?page_id=2316.
Franchi SPAS 12 Shotgun Manual.

Primary Examiner — Michael A. Pratt

(74) *Attorney, Agent, or Firm* — Eric B. Fugett; Mark A. Pitchford; Pitchford Fugett, PLLC

(57) **CLAIM**

What is claimed is the ornamental design for a handgun brace, as shown and described.

DESCRIPTION

FIG. 1 is a perspective view of the handgun brace in an open configuration shown attached to a handgun, the handgun forming no part of the claimed design.

FIG. 2 is a perspective view of the handgun brace of FIG. 1. FIG. 3 is a rear elevational view of the handgun brace of FIG. 1.

FIG. 4 is a front elevational view of the handgun brace of FIG. 1.

FIG. 5 is a left side elevational view of the handgun brace of FIG. 1.

FIG. 6 is a perspective view of the handgun brace of FIG. 5. FIG. 7 is a right side elevational view of the handgun brace of FIG. 1.

FIG. 8 is a perspective view of the handgun brace of FIG. 7. FIG. 9 is a top plan view of the handgun brace of FIG. 1. FIG. 10 is a perspective view of the handgun brace of FIG. 9.

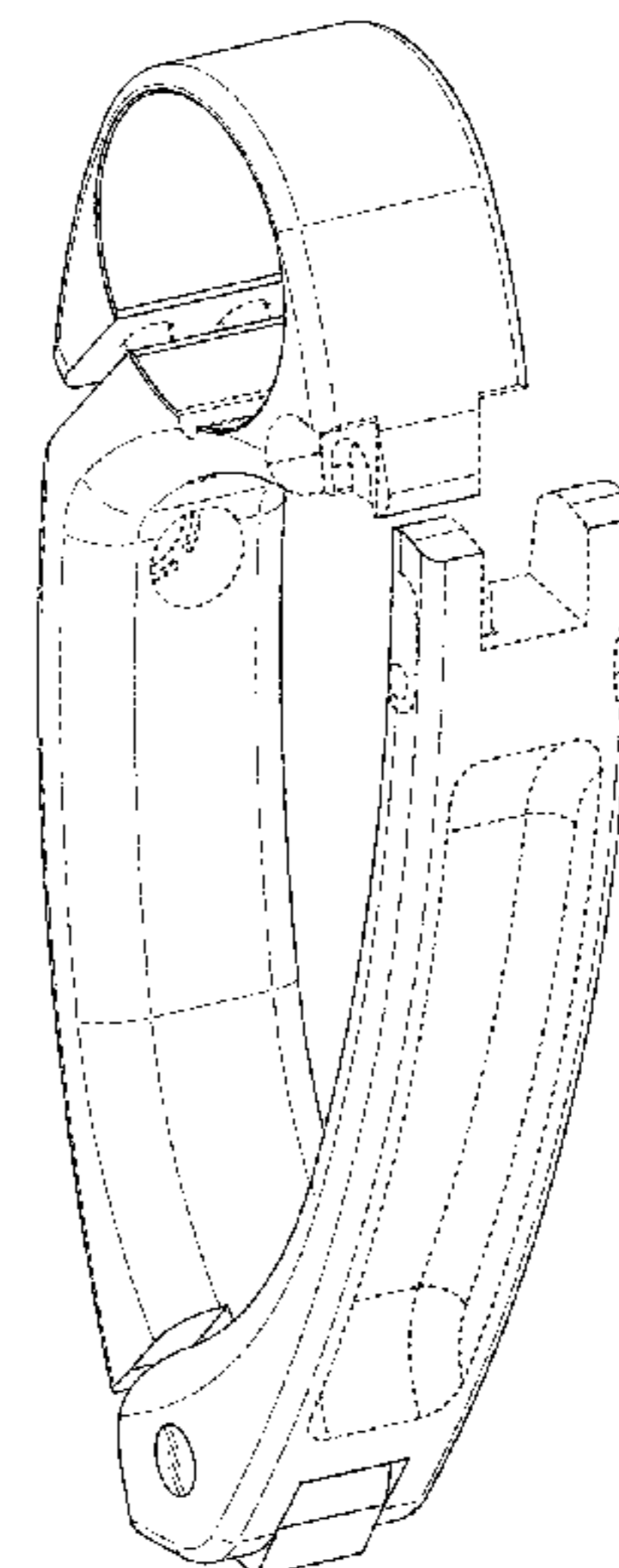
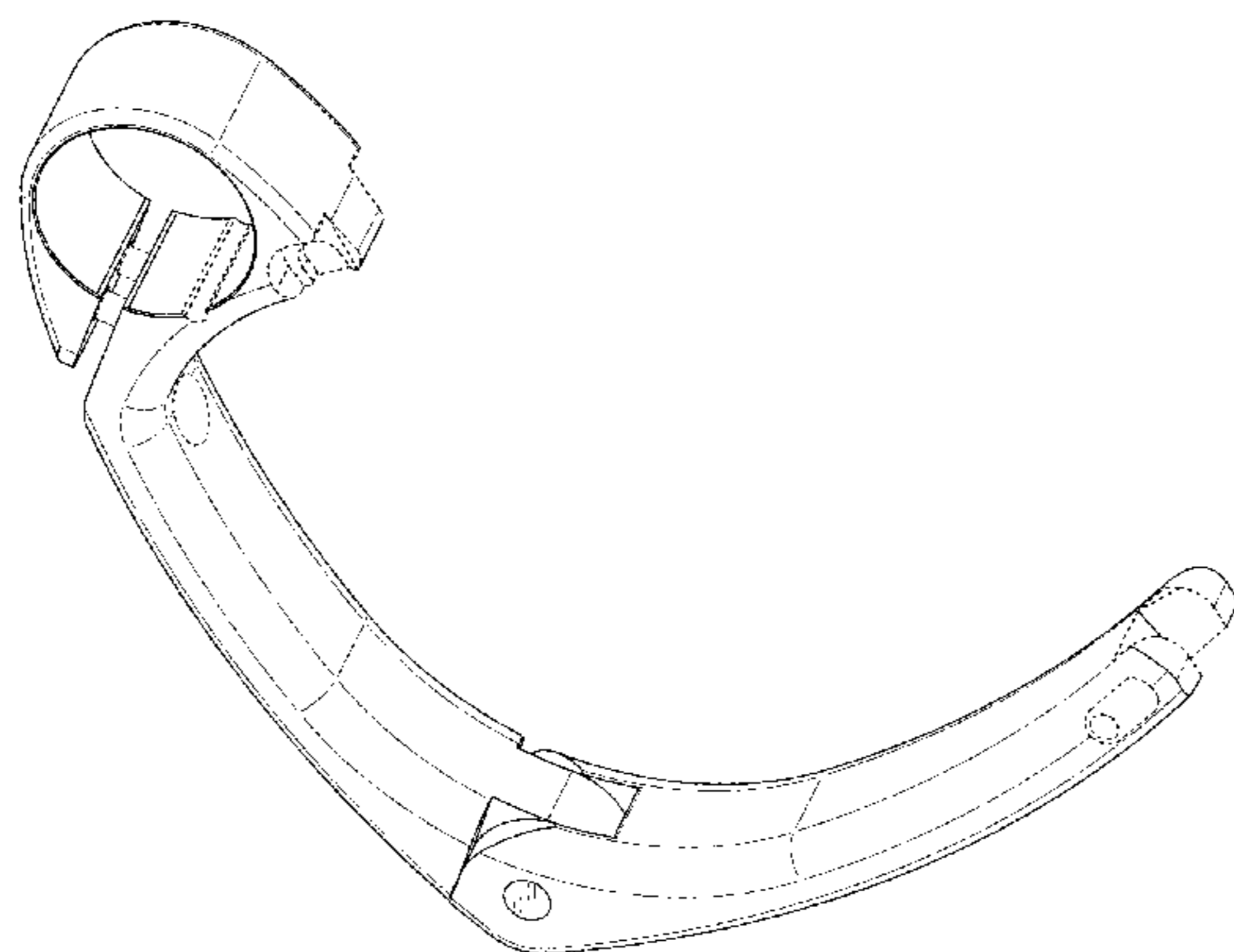
FIG. 11 is a bottom plan view of the handgun brace of FIG. 1.

FIG. 12 is a perspective view of the handgun brace of FIG. 11.

FIG. 13 is a perspective view of the handgun brace of FIG. 1 in a partially closed configuration; and, FIG. 14 is a perspective view of the handgun brace of FIG. 1 in a closed configuration.

The broken lines in FIGS. 1 through 14 depict environmental structure and portions of the handgun brace that form no part of the claimed design.

1 Claim, 10 Drawing Sheets



Related U.S. Application Data

No. 15/407,362, filed on Jan. 17, 2017, now Pat. No. 9,664,477.

(58) **Field of Classification Search**

CPC F41C 23/04; F41C 23/14; F41C 23/06;
F41C 23/22; F41C 33/007

See application file for complete search history.

(56) **References Cited**

U.S. PATENT DOCUMENTS

D706,896	S	6/2014	Bosco	
8,869,444	B2	10/2014	Bosco	
8,910,407	B2	12/2014	Singh	
D728,724	S	5/2015	Bosco	
D745,941	S	12/2015	Bosco et al.	
9,354,021	B2	5/2016	Bosco	
D764,622	S	8/2016	Bosco et al.	
9,453,699	B1	9/2016	Barnett	
9,459,073	B1	10/2016	Kloeppel	
D771,765	S *	11/2016	Ewer	D22/108
D774,618	S	12/2016	Bosco et al.	
D780,279	S	2/2017	Bosco et al.	
10,054,393	B2 *	8/2018	Kedairy	F41C 23/12
2014/0053447	A1	2/2014	Singh	
2014/0144061	A1	5/2014	Bosco	
2016/0265872	A1	9/2016	Tarazi	
2016/0282084	A1	9/2016	Hollis	
2017/0219311	A1 *	8/2017	Reavis, III	F41C 27/22

* cited by examiner

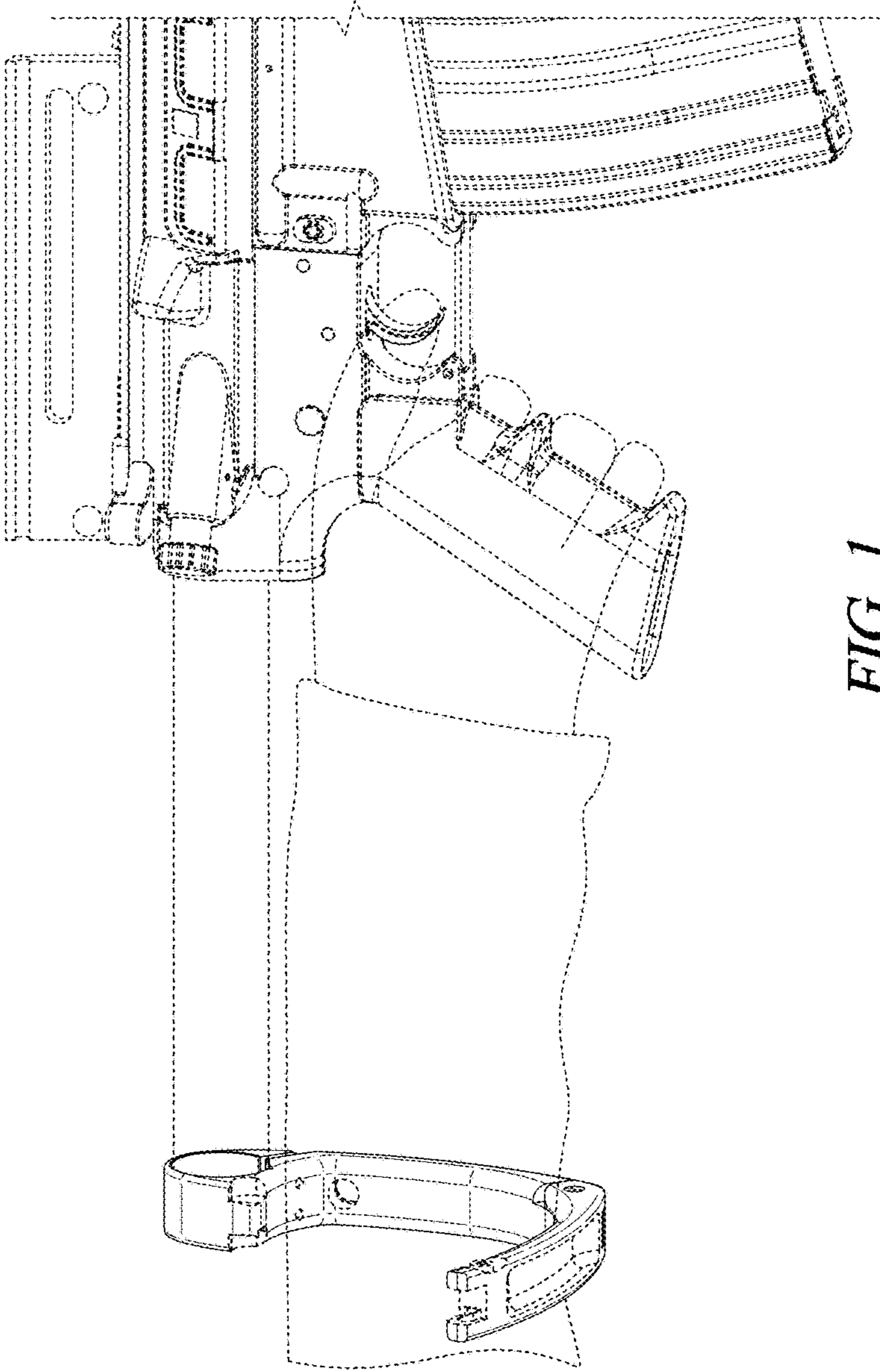


FIG. 1

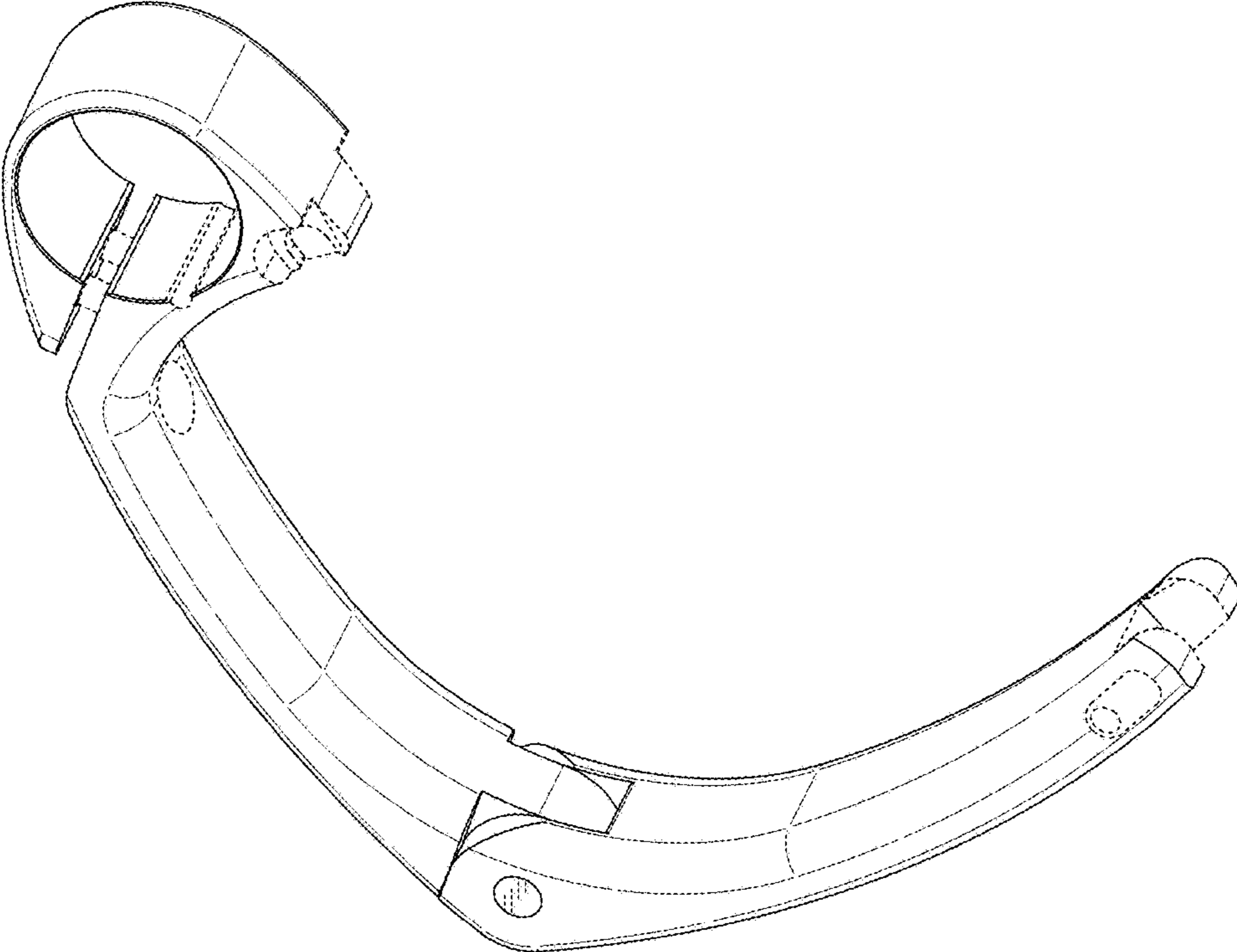


FIG. 2

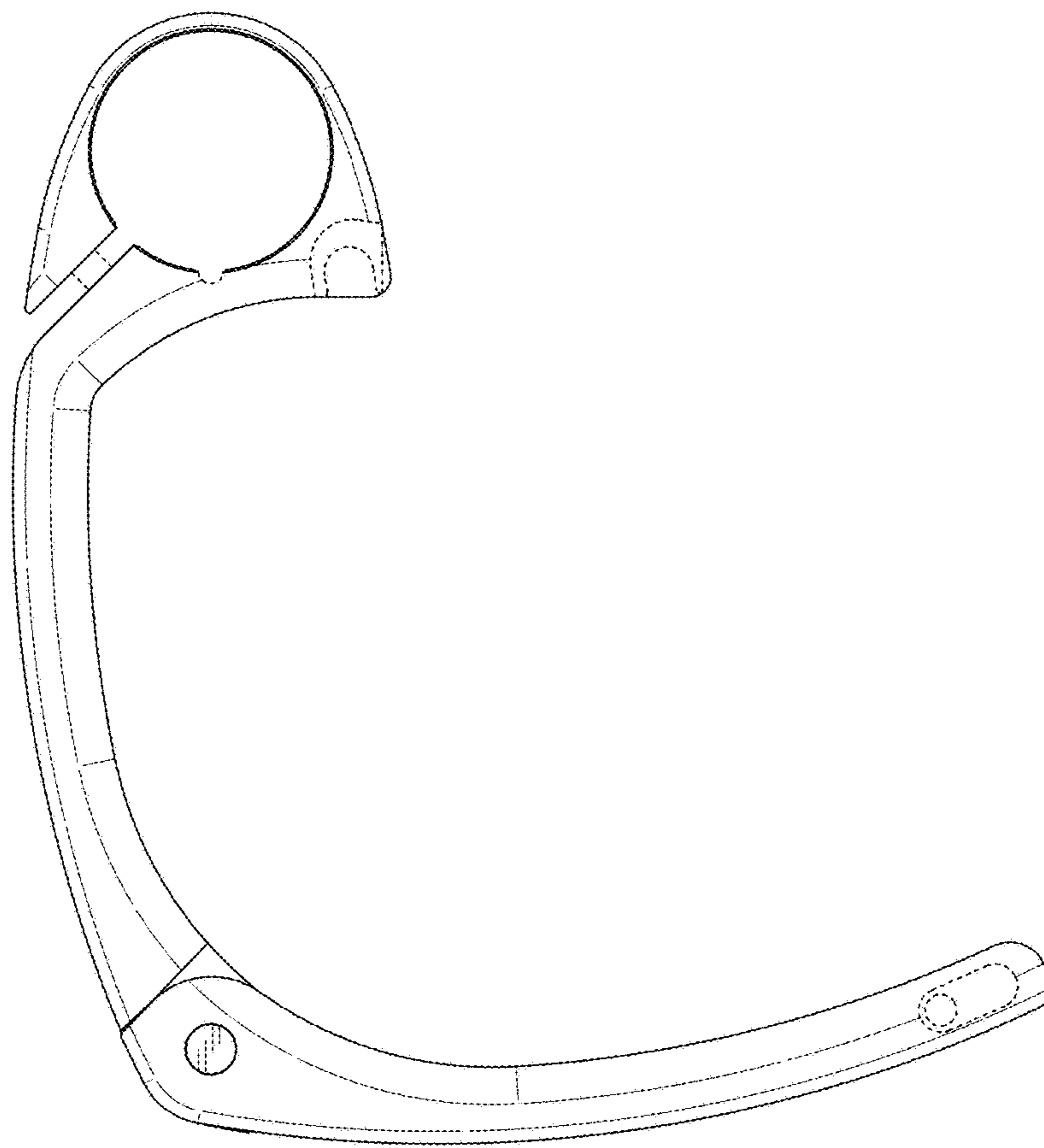


FIG. 3

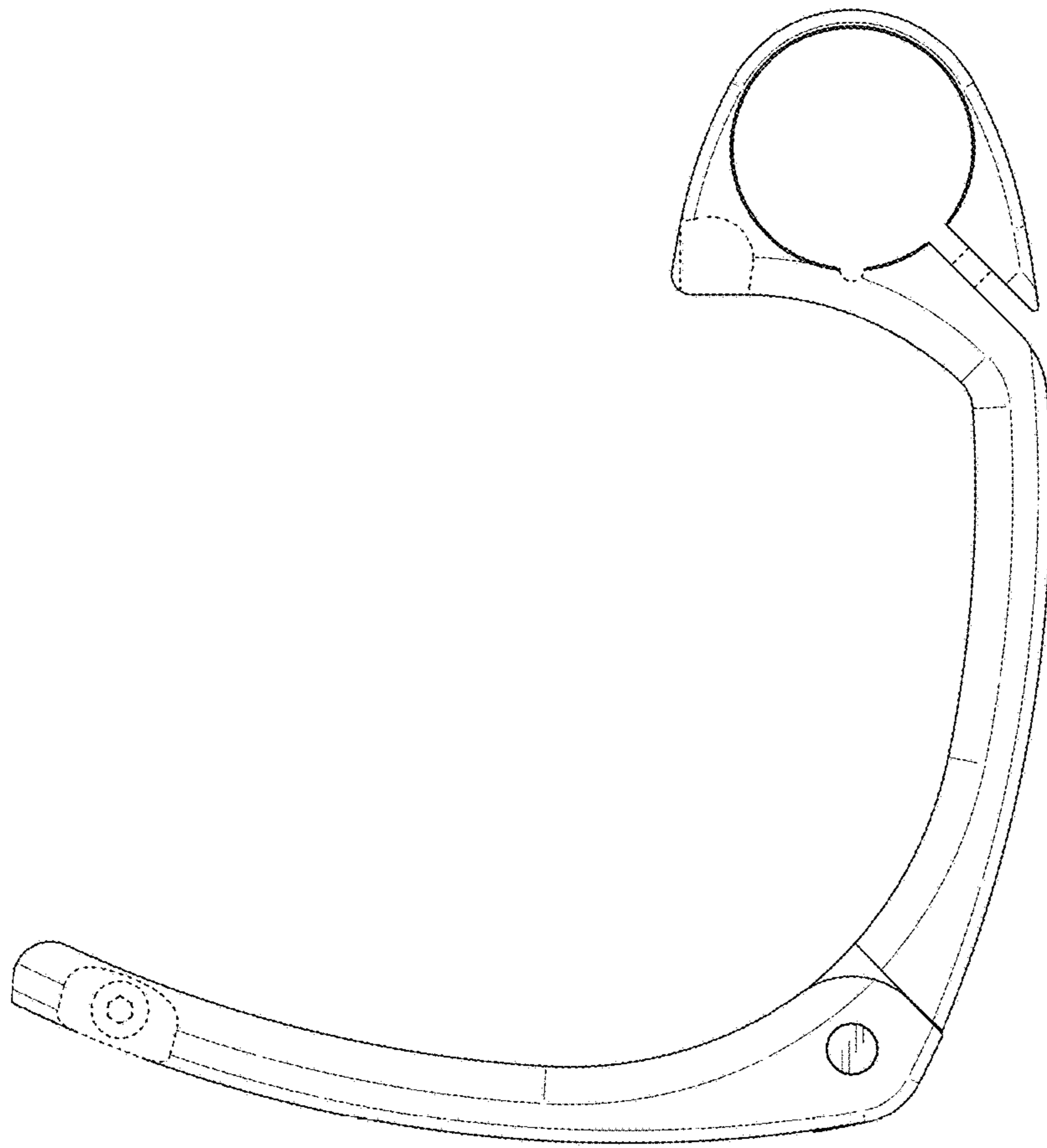


FIG. 4

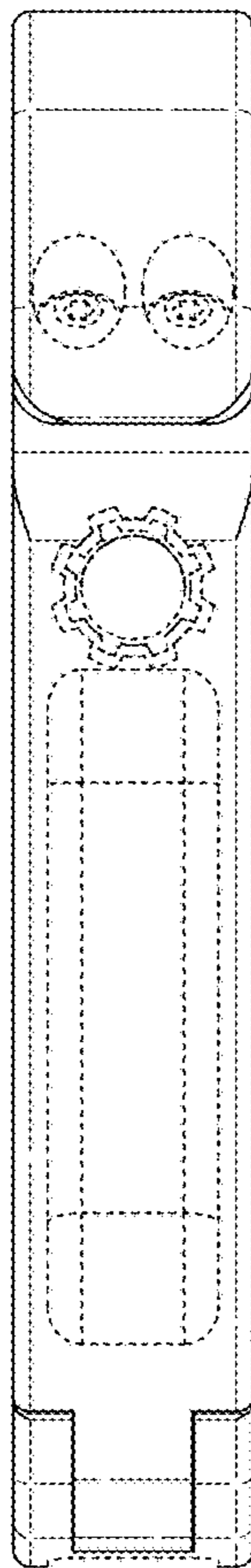


FIG. 5

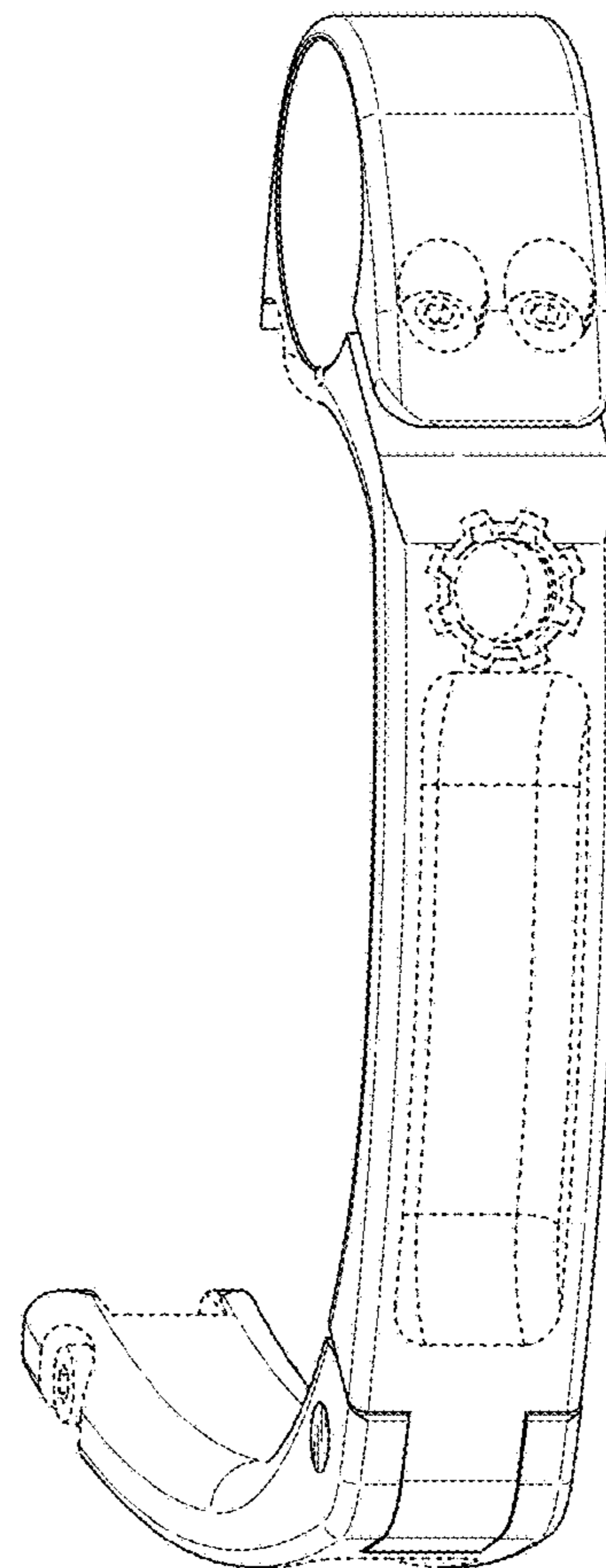


FIG. 6

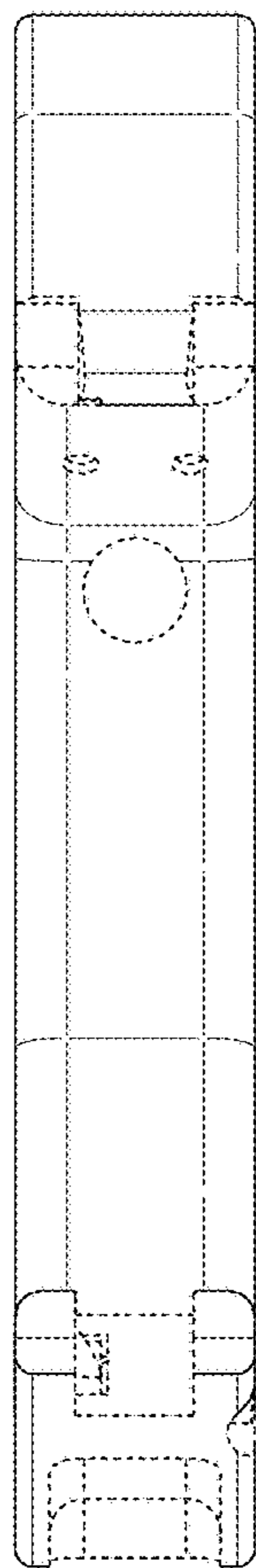


FIG. 7

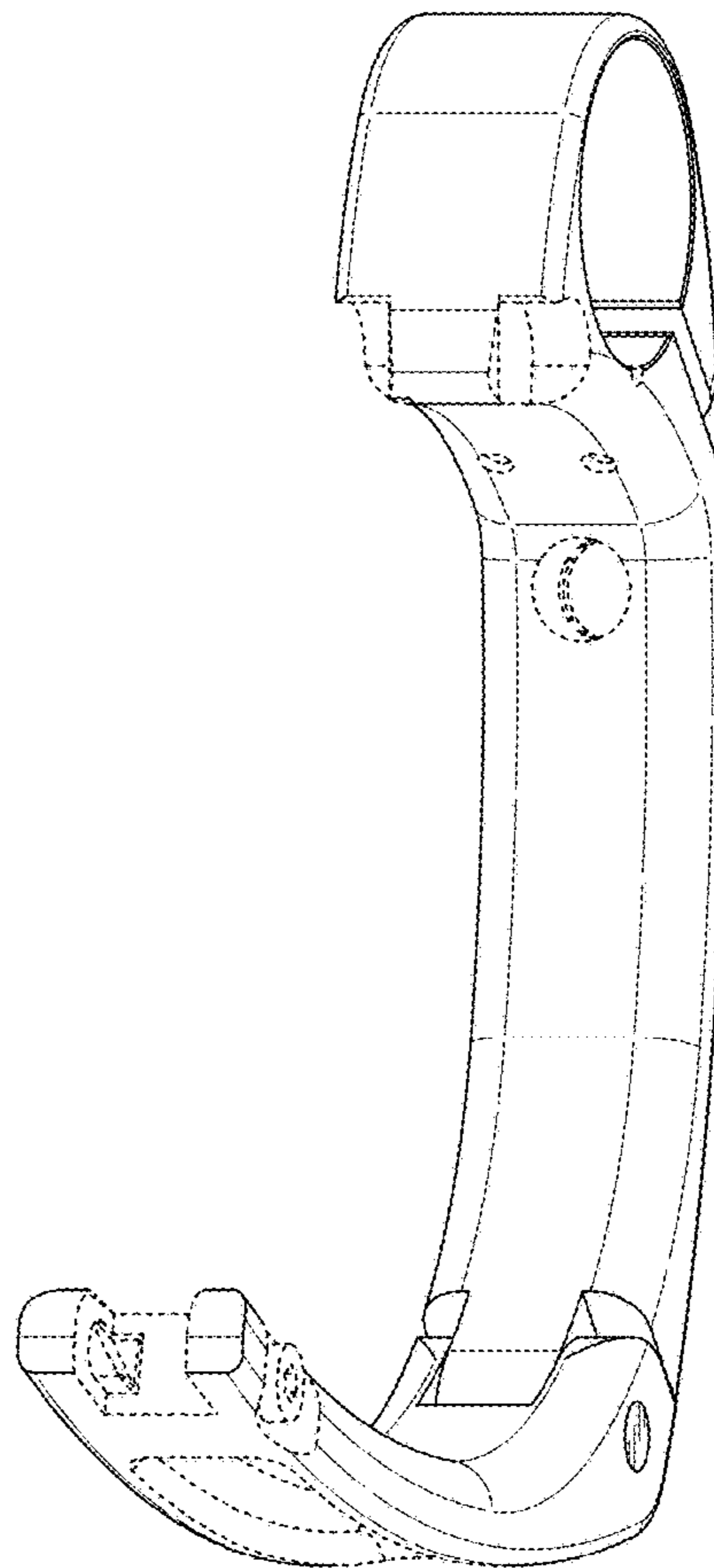


FIG. 8

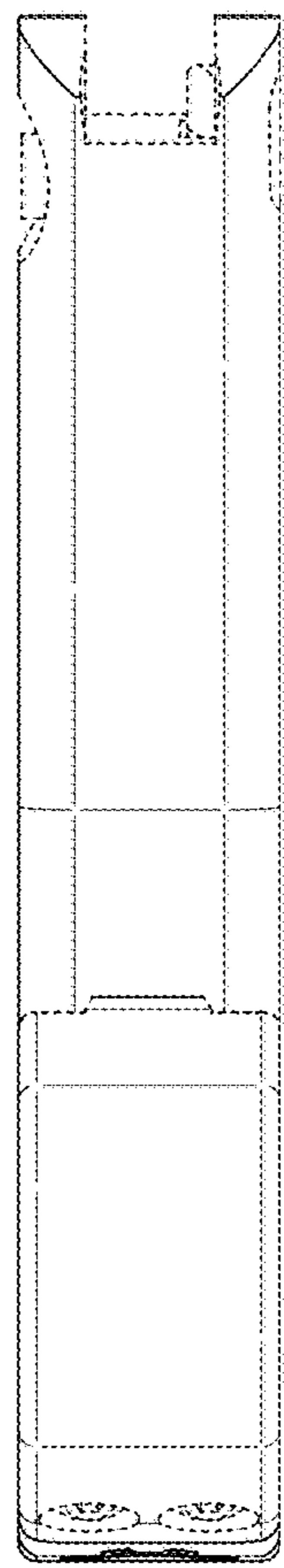


FIG. 9

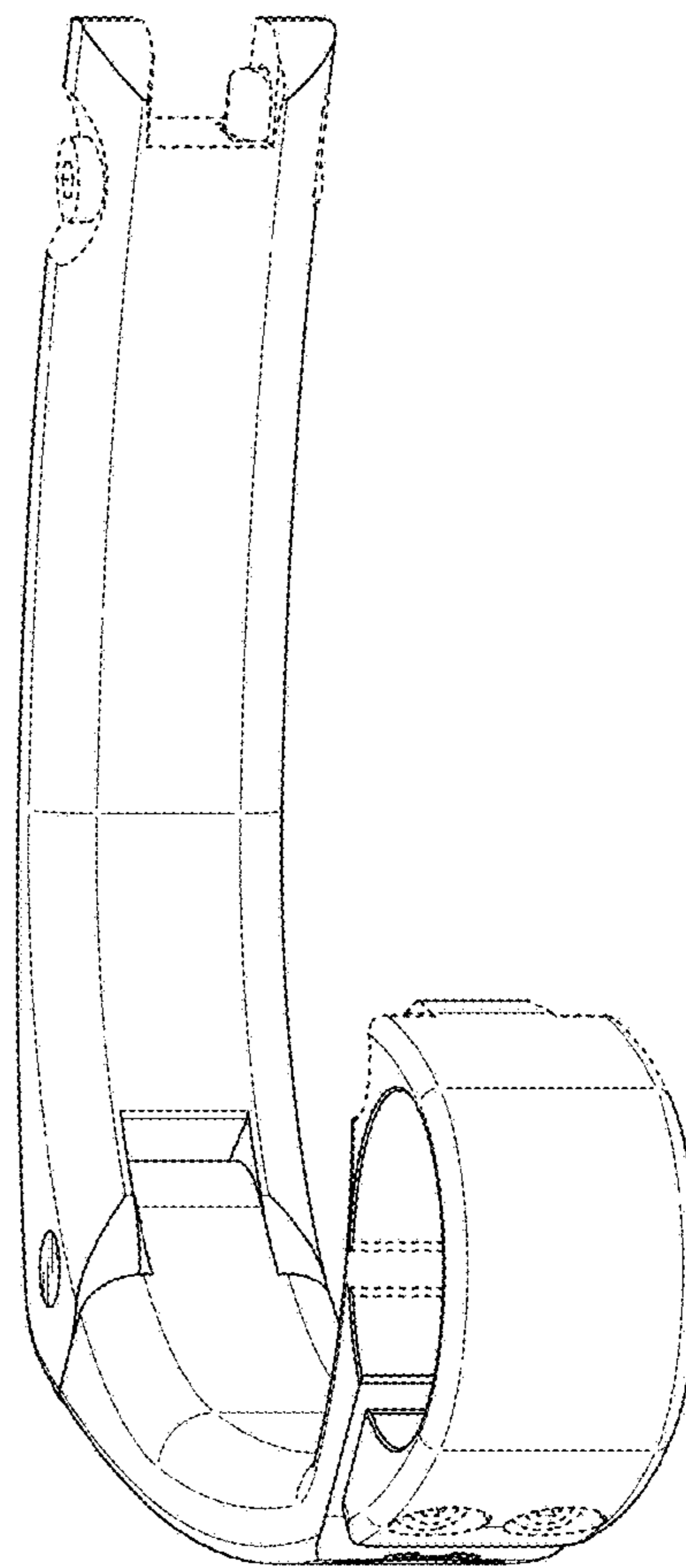


FIG. 10

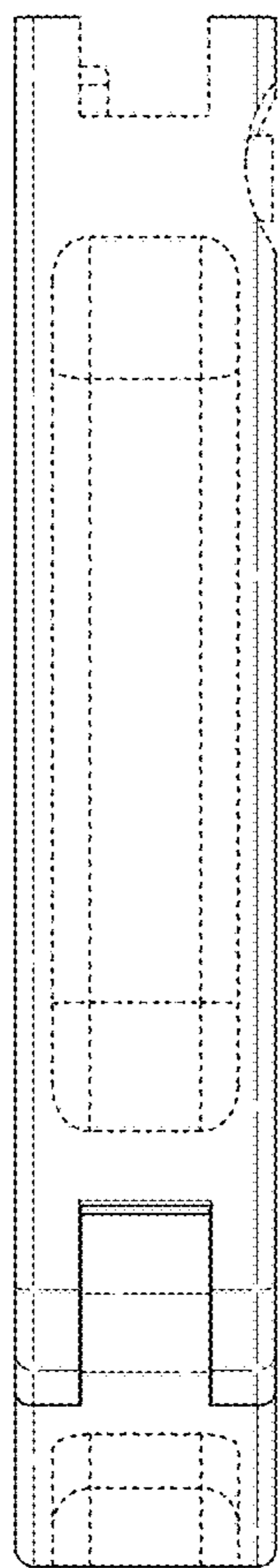


FIG. 11

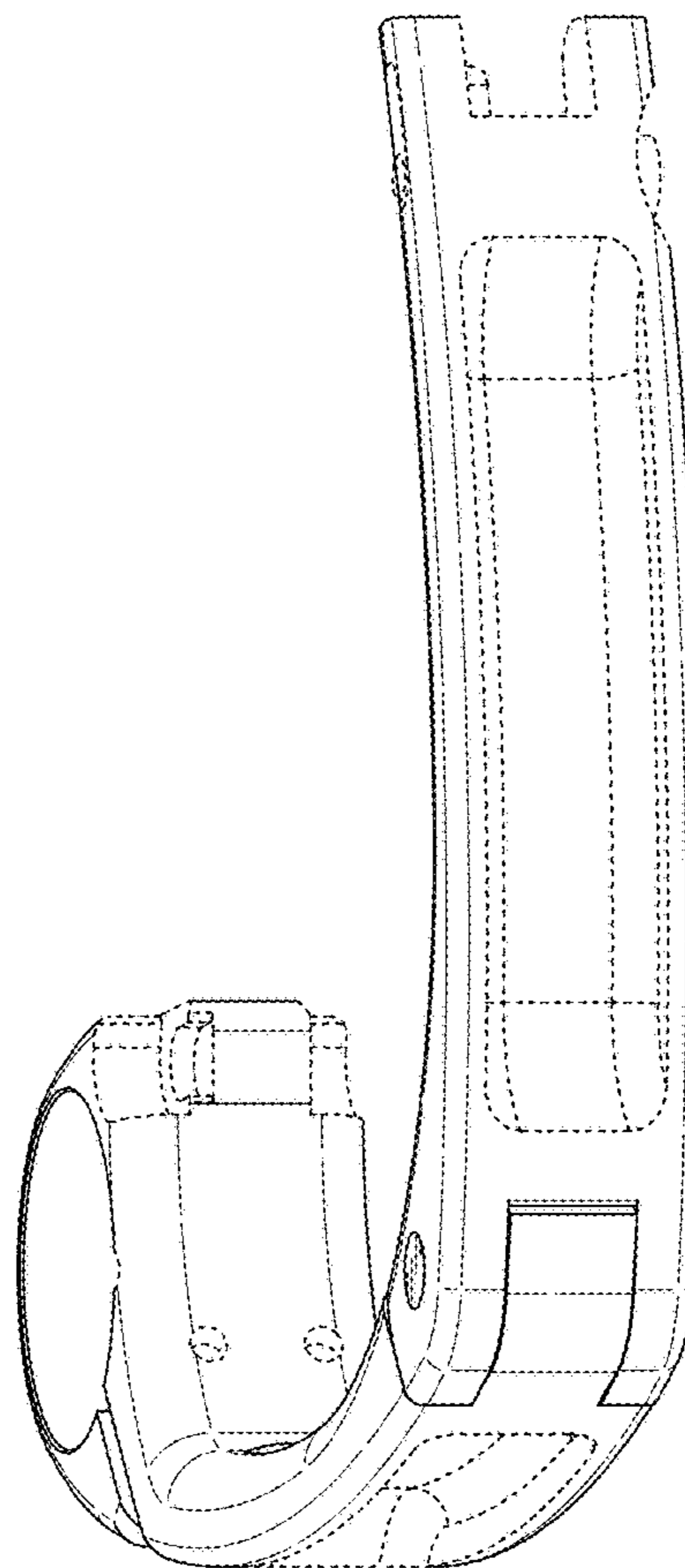


FIG. 12

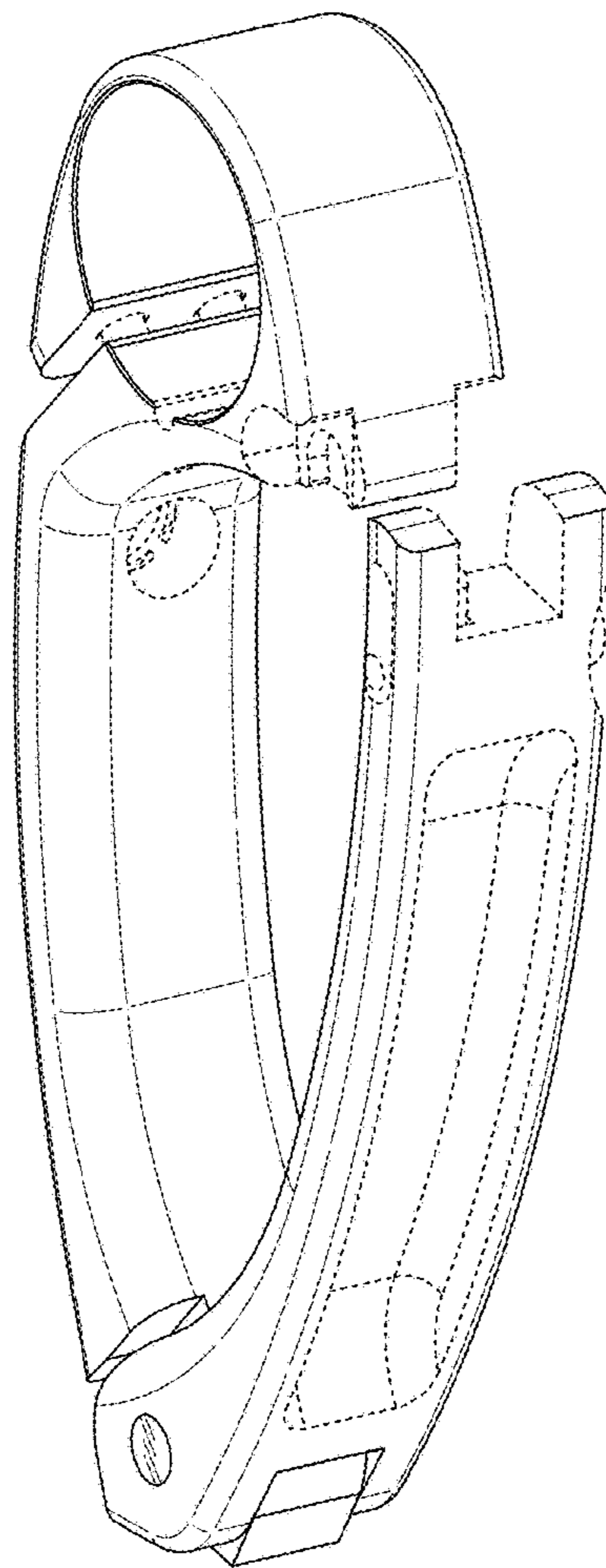


FIG. 13

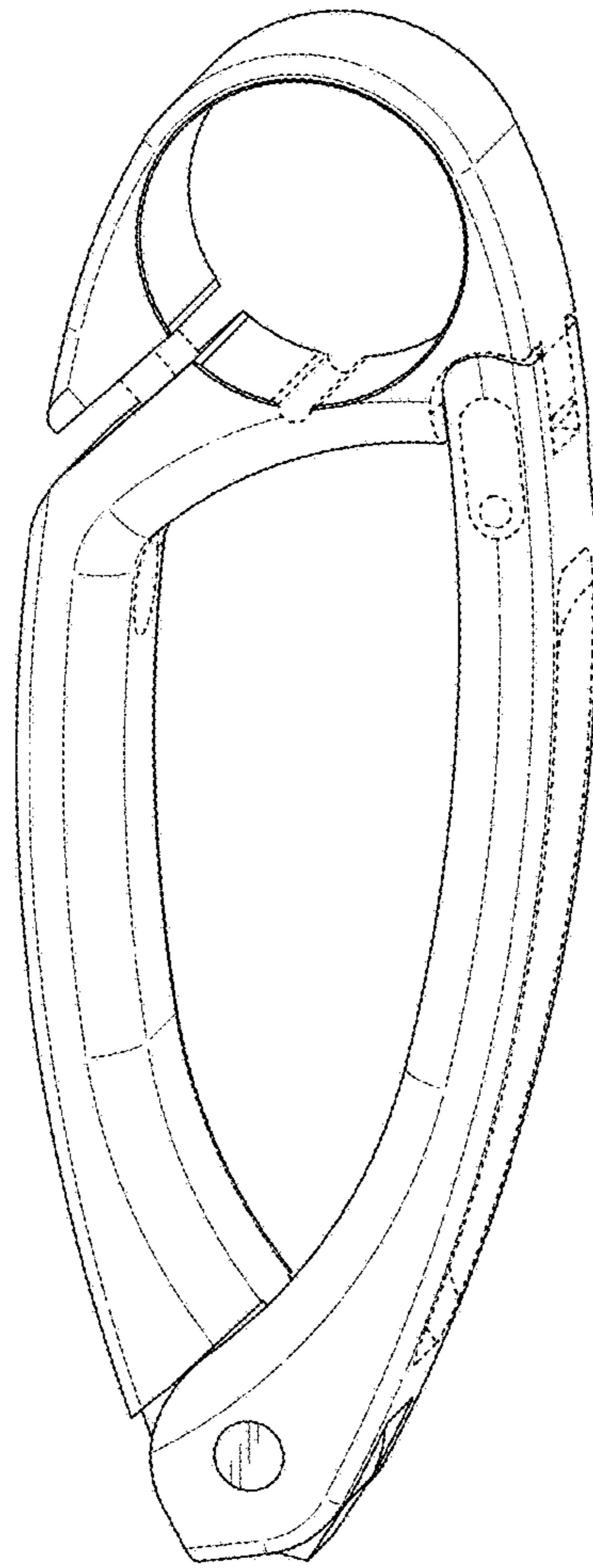


FIG. 14