



US00D847931S

(12) **United States Design Patent** (10) **Patent No.:** **US D847,931 S**
Ozanne (45) **Date of Patent:** **** May 7, 2019**

(54) **CROSSBOW BUMPER**
(71) Applicant: **MCP IP, LLC**, Sparta, WI (US)
(72) Inventor: **Jeffrey A. Ozanne**, Sparta, WI (US)
(73) Assignee: **MCP IP, LLC**, Sparta, WI (US)
(**) Term: **15 Years**
(21) Appl. No.: **29/631,303**

D603,013 S * 10/2009 Fitzpatrick F41C 23/04
D22/108
D620,546 S * 7/2010 Fitzpatrick D22/111
7,832,386 B2 11/2010 Bednar et al.
D643,498 S * 8/2011 Burt D22/111
D655,777 S * 3/2012 Burt D22/108
D730,478 S * 5/2015 Sims D22/111
D738,981 S * 9/2015 Zusman D22/108
D744,048 S * 11/2015 Chu D21/573
D753,782 S * 4/2016 Vazquez D22/108
D779,018 S * 2/2017 Zayatz D22/108
9,671,189 B2 6/2017 McPherson

(Continued)

(22) Filed: **Dec. 28, 2017**
(51) **LOC (11) Cl.** **22-01**
(52) **U.S. Cl.**
USPC **D22/107**; D22/111
(58) **Field of Classification Search**
USPC D21/301, 304, 567, 570, 571, 573, 574,
D21/575, 746; D22/100, 101, 102, 103,
D22/106, 107, 108, 109, 110, 111, 112,
D22/115, 116, 199
CPC F41A 3/26; F41A 3/12; F41A 5/02; F41A
17/22; F41B 5/143; F41B 5/14; F41B
5/066; F41B 7/08; F41B 5/1446; F41B
5/148; F41B 5/1465; F42B 6/04; F42B
6/08; F42B 6/02; F42B 6/06; F42B
12/362; F41C 23/16; F41C 27/00; F41C
7/00; F41G 11/003; F41G 11/001; F41G
11/004; F41G 11/005; A63H 5/04
See application file for complete search history.

OTHER PUBLICATIONS

“Excalibur R.E.D.S. Suppressors for Matrix” [online]. Excalibur.
[Retrieved on Dec. 6, 2018]. Retrieved from the Internet: <<https://www.amazon.com/dp/B00BD4ZBCY>>.*

(Continued)

Primary Examiner — Khawaja Anwar
Assistant Examiner — Mojtaba Tehrani

(57) **CLAIM**

The ornamental design for a crossbow bumper, as shown and described.

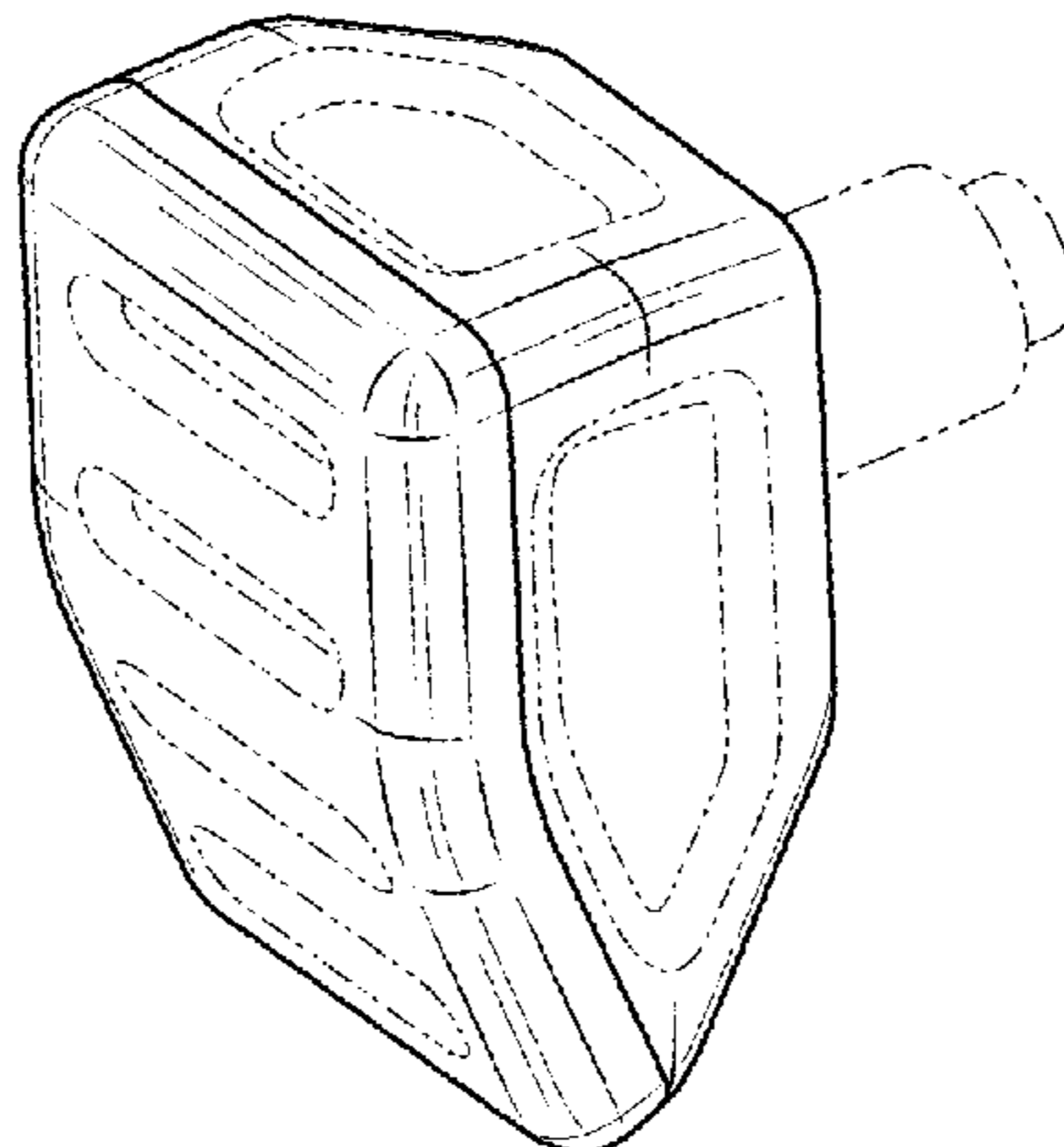
DESCRIPTION

FIG. 1 is a perspective view of a crossbow bumper, showing my new design;
FIG. 2 is a top thereof;
FIG. 3 is a bottom view thereof;
FIG. 4 is a back view thereof;
FIG. 5 is a front view thereof;
FIG. 6 is a left side view thereof; and,
FIG. 7 is a right side thereof.

The broken lines in the Figures represent unclaimed portions of the device and are for illustrative purposes only. The broken lines form no portion of the claimed design.

1 Claim, 1 Drawing Sheet

(56) **References Cited**
U.S. PATENT DOCUMENTS
D194,681 S * 2/1963 Pachmayr et al. D22/111
D274,541 S * 7/1984 McCone D22/111
D275,510 S * 9/1984 McCone 42/74
4,551,937 A * 11/1985 Seehase F41C 23/08
42/74
D376,188 S * 12/1996 Riecken D22/108
D460,142 S * 7/2002 West D22/111
6,901,921 B1 6/2005 Barnett



(56)

References Cited

U.S. PATENT DOCUMENTS

D792,550 S * 7/2017 Smith D22/111
D792,936 S * 7/2017 Eitan D22/108
D792,937 S * 7/2017 Eitan D22/108
D804,604 S * 12/2017 Shelton D22/108
2012/0298087 A1 11/2012 Trpkovski
2016/0290757 A1 10/2016 Khoshnood

OTHER PUBLICATIONS

“Excaliber 1968 S5 Crossbow Replacement Pads S5 Replacement Pads Black” [online]. Excalibur. [Retrieved on Dec. 6, 2018]. Retrieved from the Internet: <<https://www.amazon.com/dp/B008CXGO9S>>.*

* cited by examiner

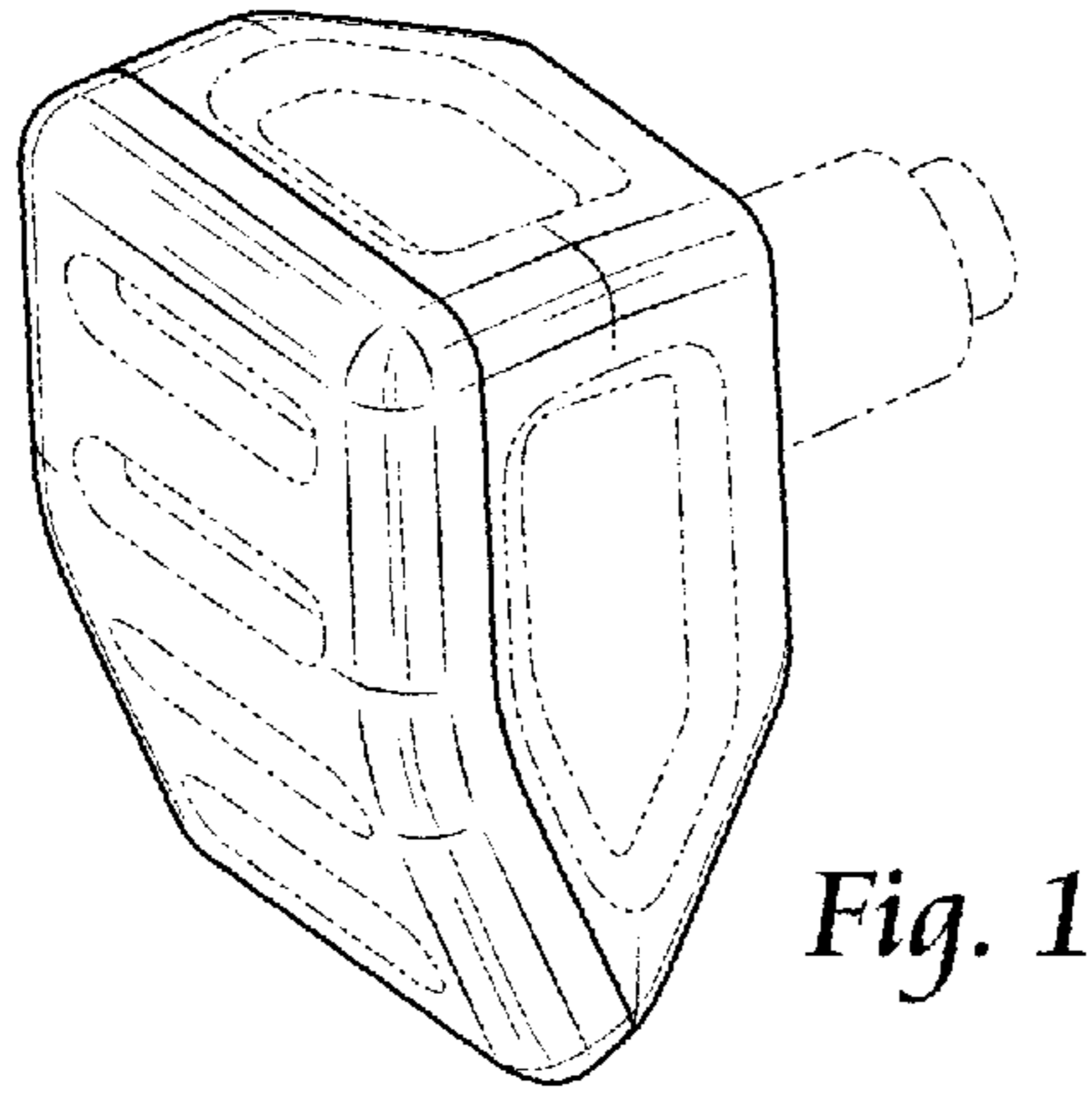


Fig. 1

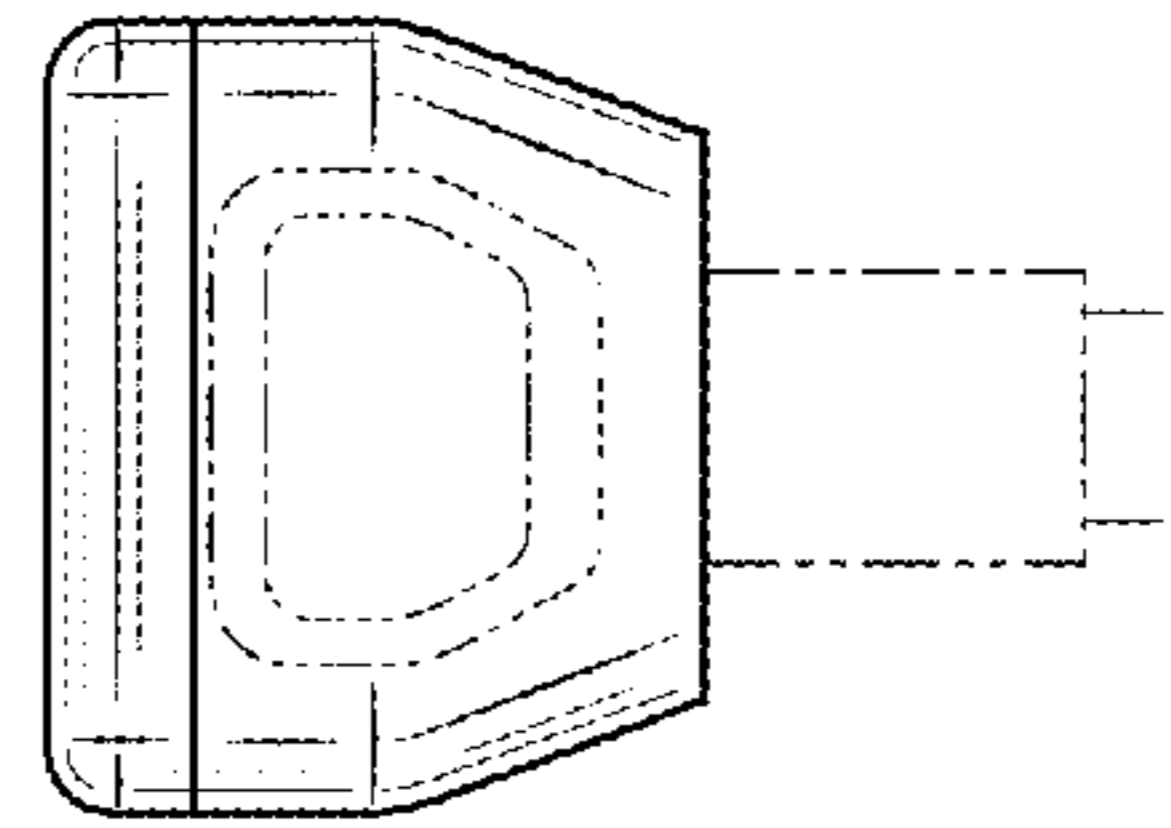


Fig. 2

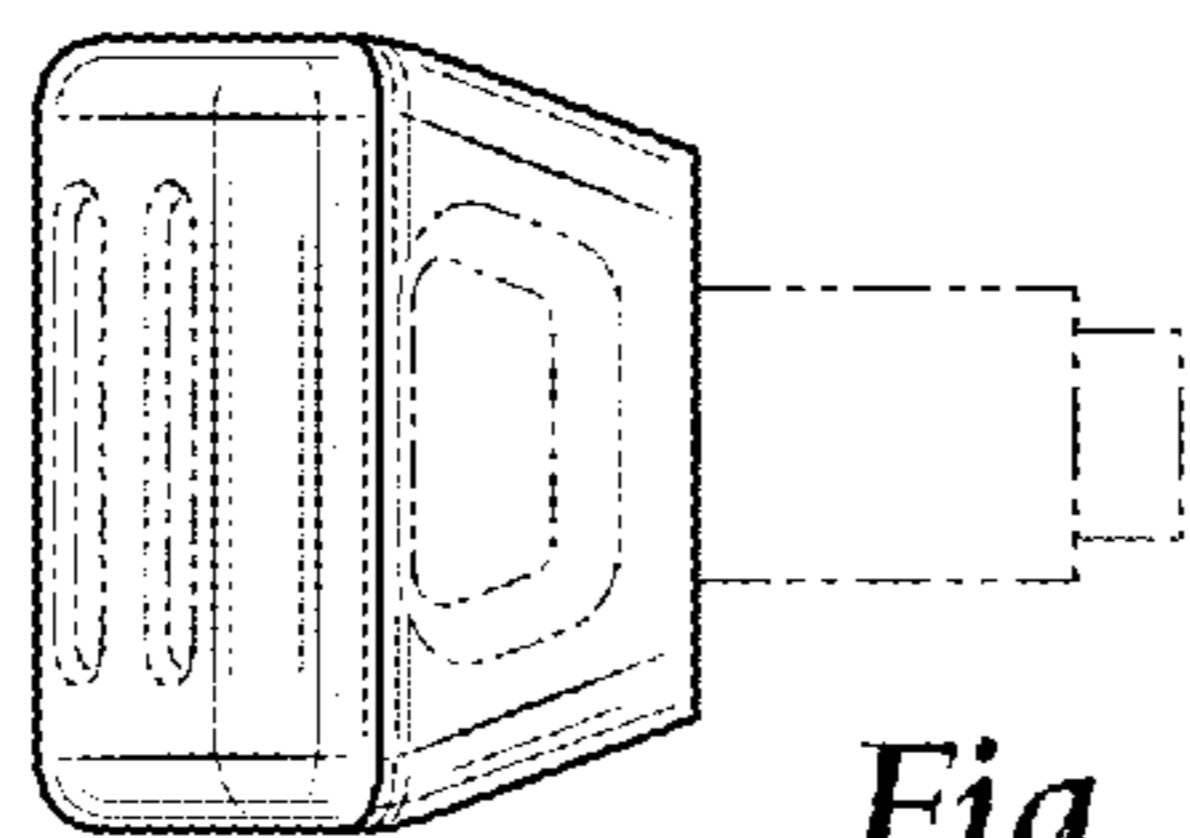


Fig. 3

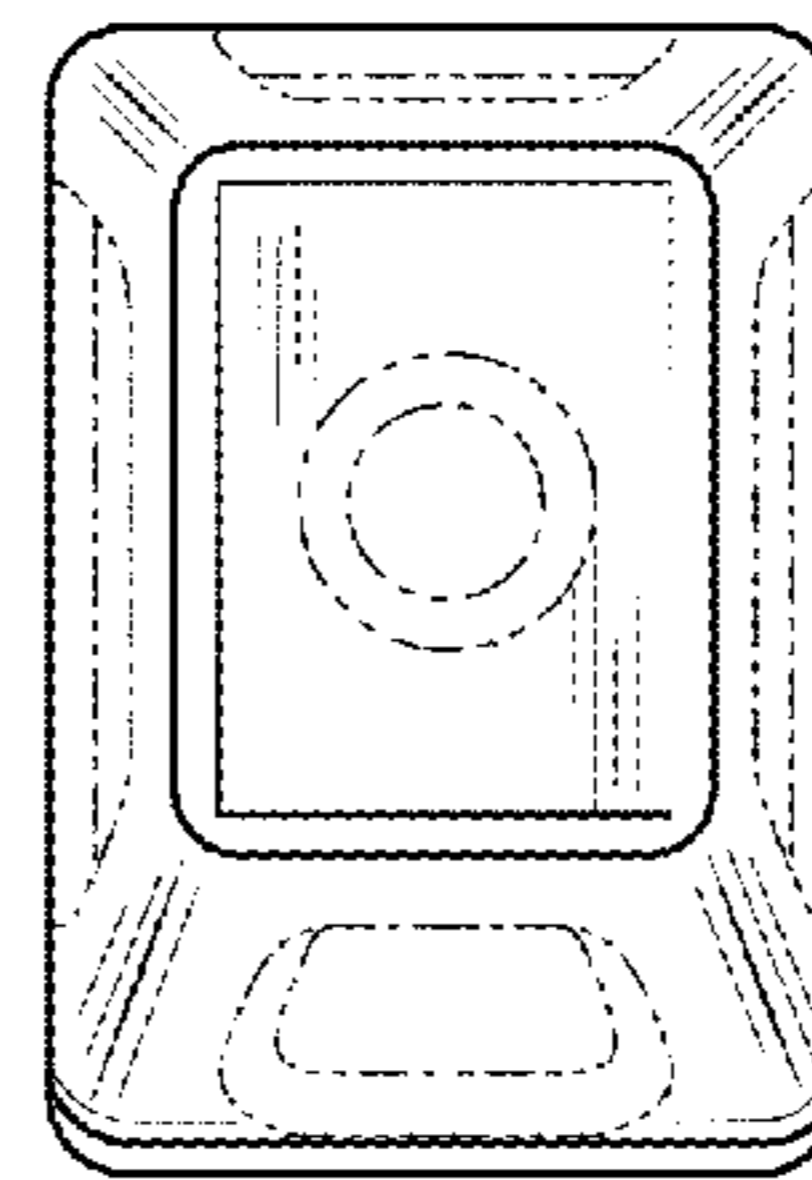


Fig. 4

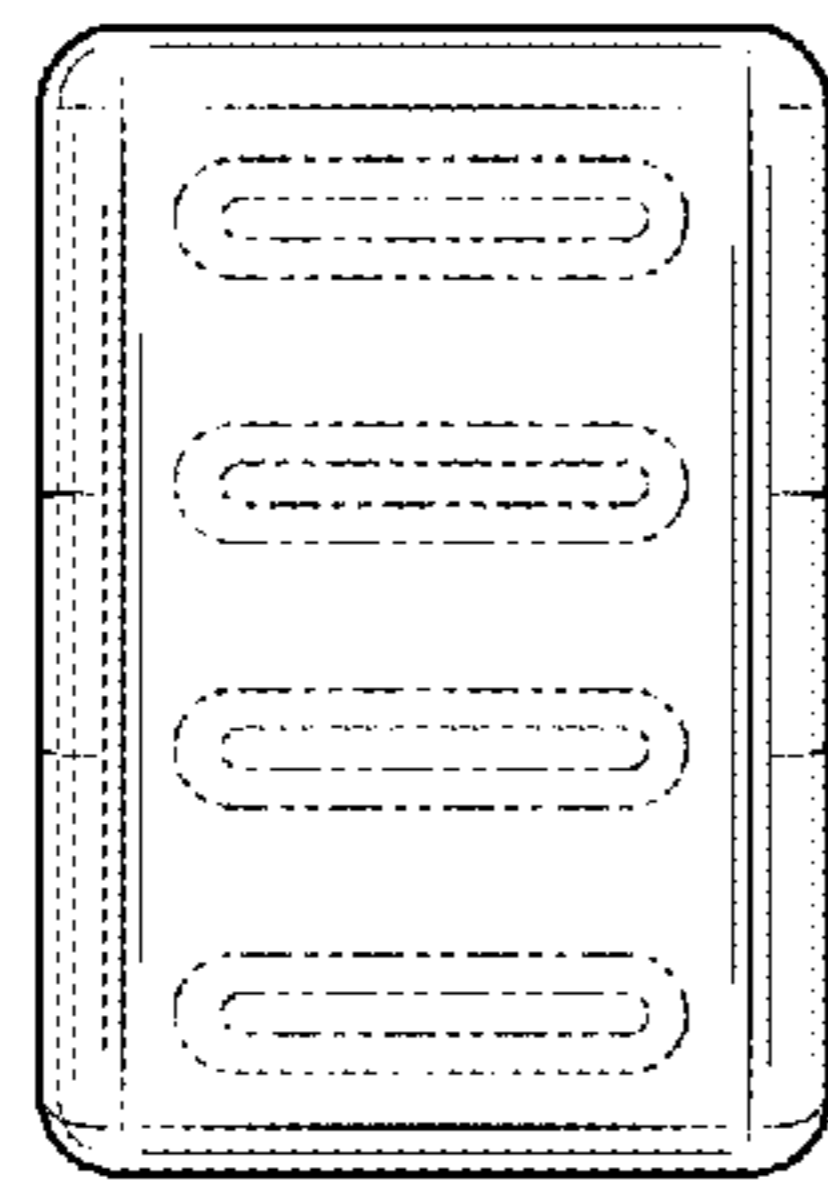


Fig. 5

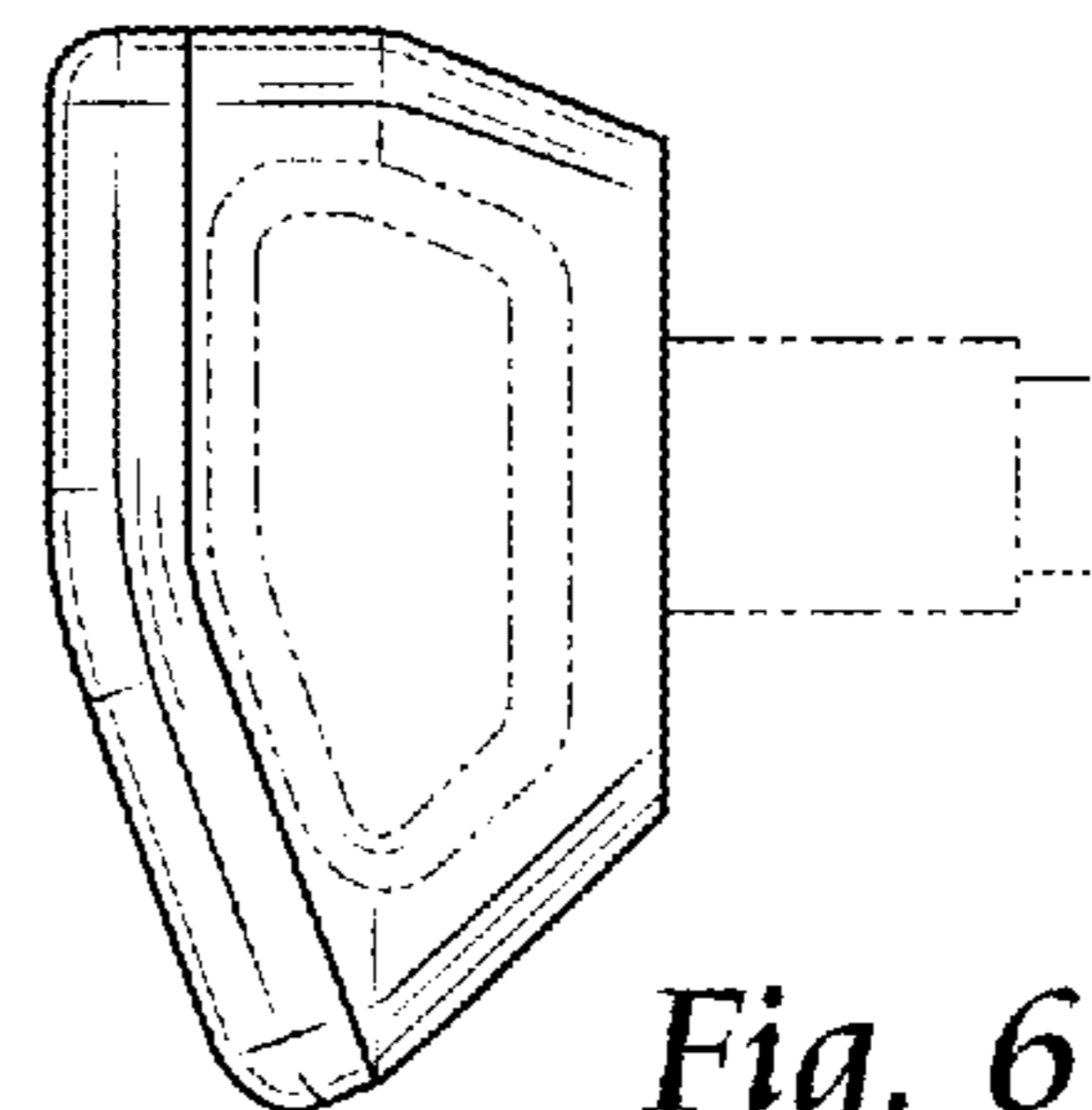


Fig. 6

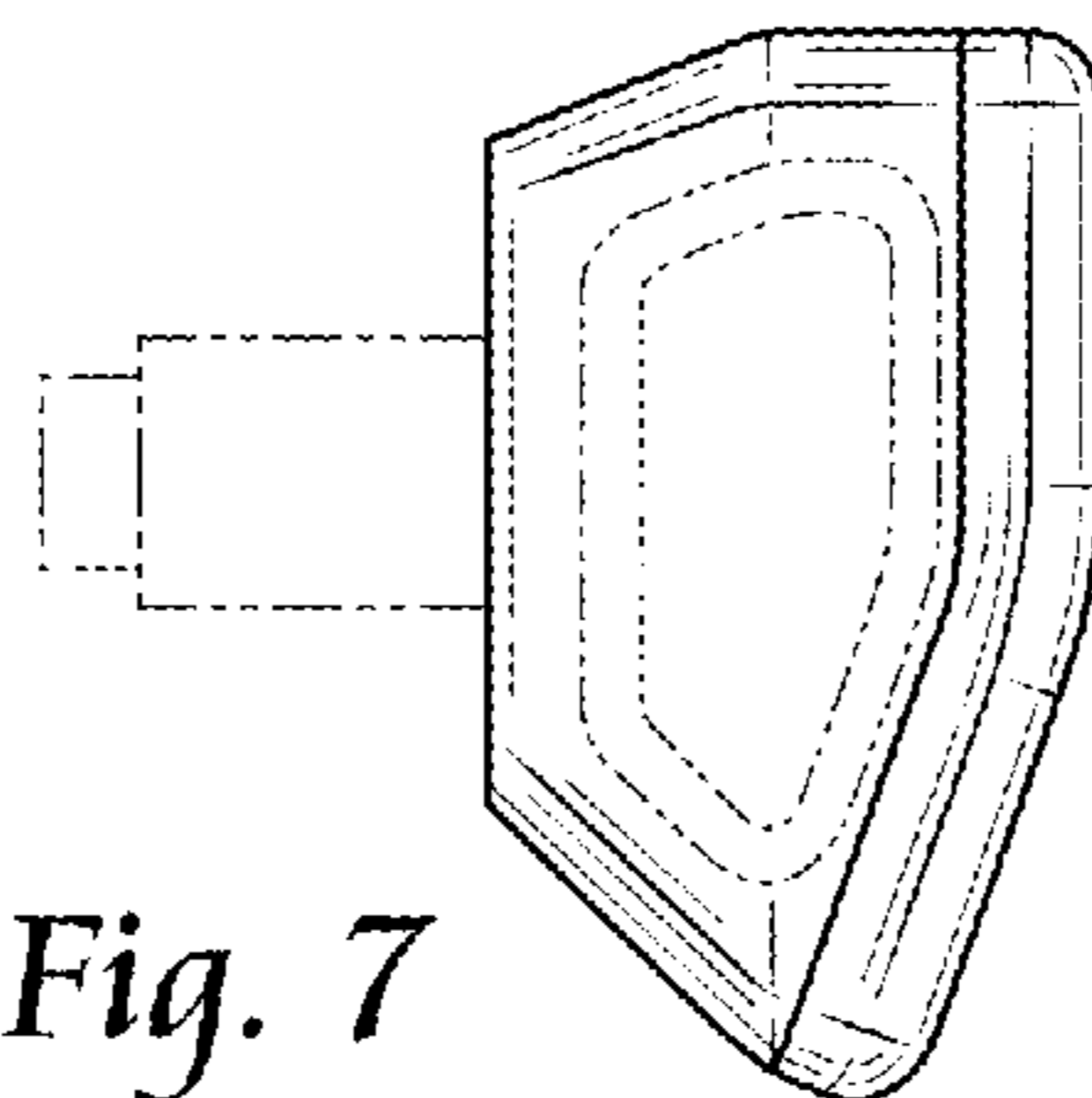


Fig. 7