



US00D847929S

(12) **United States Design Patent**
Chin Gerding

(10) **Patent No.:** **US D847,929 S**

(45) **Date of Patent:** **** May 7, 2019**

(54) **BABY BOAT WITH CANOPY**

(71) Applicant: **Aqua-Leisure Industries, Inc.**, Avon, MA (US)

(72) Inventor: **Dorothy Chin Gerding**, Smithfield, RI (US)

(73) Assignee: **Aqua-Leisure Industries, Inc.**, Avon, MA (US)

(**) Term: **15 Years**

(21) Appl. No.: **29/599,510**

(22) Filed: **Apr. 4, 2017**

(51) **LOC (11) Cl.** **29-02**

(52) **U.S. Cl.**
USPC **D21/803**

(58) **Field of Classification Search**
USPC D12/316; D21/803, 804, 805, 809;
D22/199
CPC A47C 15/006
See application file for complete search history.

(56) **References Cited**

U.S. PATENT DOCUMENTS

1,748,170	A	2/1930	Chesnut	
2,435,497	A *	2/1948	Hajduk	A47C 15/006 441/131
2,562,080	A	7/1951	Barnes	
D230,454	S	2/1974	Thompson	
D287,528	S *	12/1986	Maxwell	D21/803
4,799,910	A	1/1989	Kellough	
D315,592	S	3/1991	Tager et al.	
D316,586	S	4/1991	Tager et al.	
5,219,309	A *	6/1993	Hart	A63B 67/00 441/131
5,231,951	A	8/1993	Tagar et al.	
D343,220	S *	1/1994	Fireman	D21/803
D367,910	S	3/1996	Roberts	
5,718,612	A	2/1998	Elsholz	
5,766,052	A *	6/1998	Metro	A47C 15/006 441/130

(Continued)

OTHER PUBLICATIONS

Self-Inflating BabyBoat With Perfect Fit™ Seat: Published 2017 [online], site visited Aug. 14, 2018. Available from Internet URL: https://www.aqualeisure.com/selfinflatingbabyboat.*

(Continued)

Primary Examiner — Garth Rademaker

Assistant Examiner — Melvin L Davis

(74) *Attorney, Agent, or Firm* — Wolf, Greenfield & Sacks, P.C.

(57) **CLAIM**

The ornamental design for a baby boat with canopy, as shown and described.

DESCRIPTION

FIG. 1 is a perspective view of a baby boat with canopy in accordance with my new design.

FIG. 2 is an elevational view of the front side of the baby boat with canopy of FIG. 1.

FIG. 3 is an elevational view of the right side of the baby boat with canopy of FIG. 1.

FIG. 4 is an elevational view of the rear of the baby boat with canopy of FIG. 1.

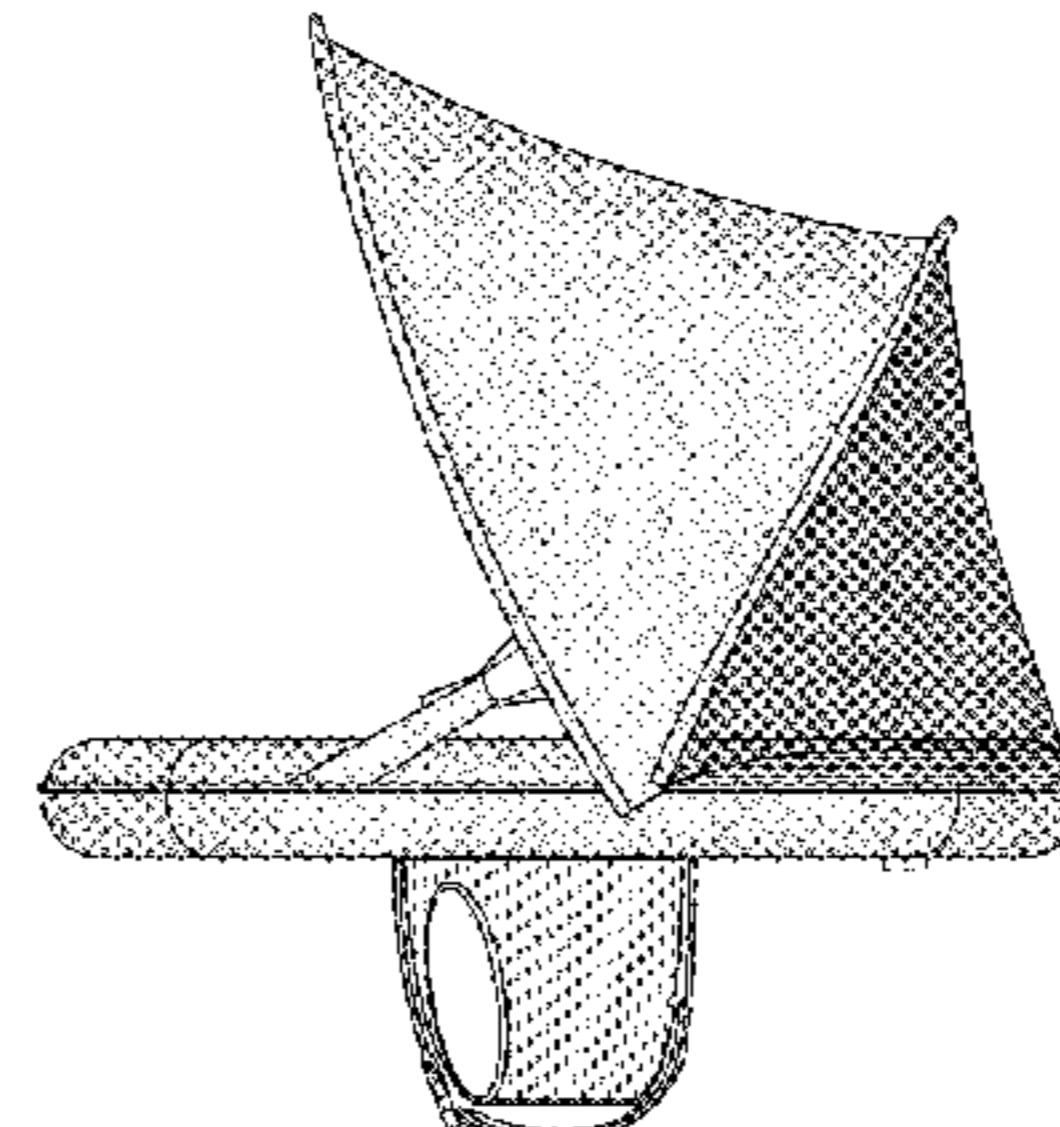
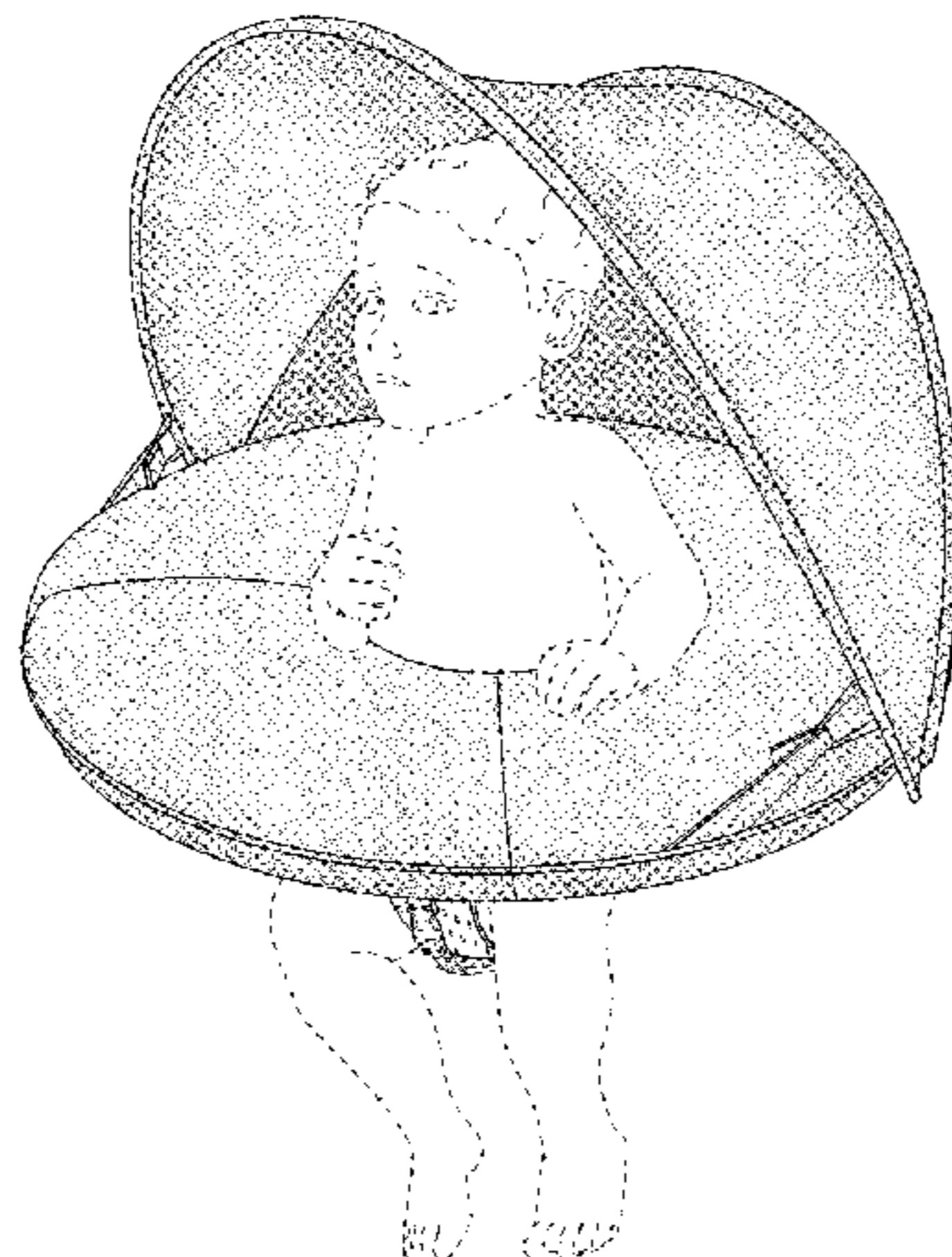
FIG. 5 is an elevational view of the left side of the baby boat with canopy of FIG. 1.

FIG. 6 is a top plan view of the baby boat with canopy of FIG. 1; and,

FIG. 7 is a bottom plan view of the baby boat with canopy of FIG. 1.

The evenly broken lines showing a baby are included for the purpose of illustrating environmental structure and forms no part of the claimed design. All other evenly broken lines show portions of the baby boat with canopy that form no part of the claimed design.

1 Claim, 5 Drawing Sheets



(56)

References Cited

U.S. PATENT DOCUMENTS

D409,971 S 5/1999 Elsholz
 6,394,868 B1 * 5/2002 Katz A47C 15/006
 441/130
 D476,712 S 7/2003 Peterson
 D480,123 S * 9/2003 Peterson D21/803
 6,749,474 B2 * 6/2004 Hsu A47C 15/006
 441/131
 6,881,114 B2 4/2005 Zheng
 D506,239 S 6/2005 Peterson
 7,048,333 B2 5/2006 Martinez
 D530,772 S 10/2006 Peterson
 D532,075 S 11/2006 Turner
 D538,876 S 3/2007 Peterson
 D538,877 S 3/2007 Peterson
 D551,731 S 9/2007 Peterson
 D554,222 S 10/2007 Peterson
 7,314,399 B2 1/2008 Turner
 D632,354 S 2/2011 Perry
 7,926,135 B1 * 4/2011 Leach A47D 15/005
 441/130

D697,336 S 1/2014 Perry
 8,926,386 B2 * 1/2015 Berenson B63C 9/08
 441/108
 9,415,845 B2 * 8/2016 Marciano B63B 35/76
 9,421,443 B2 * 8/2016 Boyer A63B 63/00
 D817,599 S * 5/2018 Broderick D2/719
 2018/0228298 A1 8/2018 Chin Gerding

OTHER PUBLICATIONS

[No Author Listed] Product listing for Swim School Sunshade Fabric BabyBoat in Pink by Aqua Leisure. Amazon.com. <https://www.amazon.com/dp/B00YFQW17K/#customerReviews>, 4 pages [publicly available at least as early as Jun. 28, 2015].
 [No Author Listed] Product Listing for Swimschool Sparky the Shark Fabric Baby Boat, Canopy, UPF 50, Extra-Wide Inflatable Pool Float, 6 to 18 Months. Amazon.com. <https://www.amazon.com/dp/B01ASSZIJS>, 2 pages [publicly available at least as early as Aug. 12, 2014].

* cited by examiner

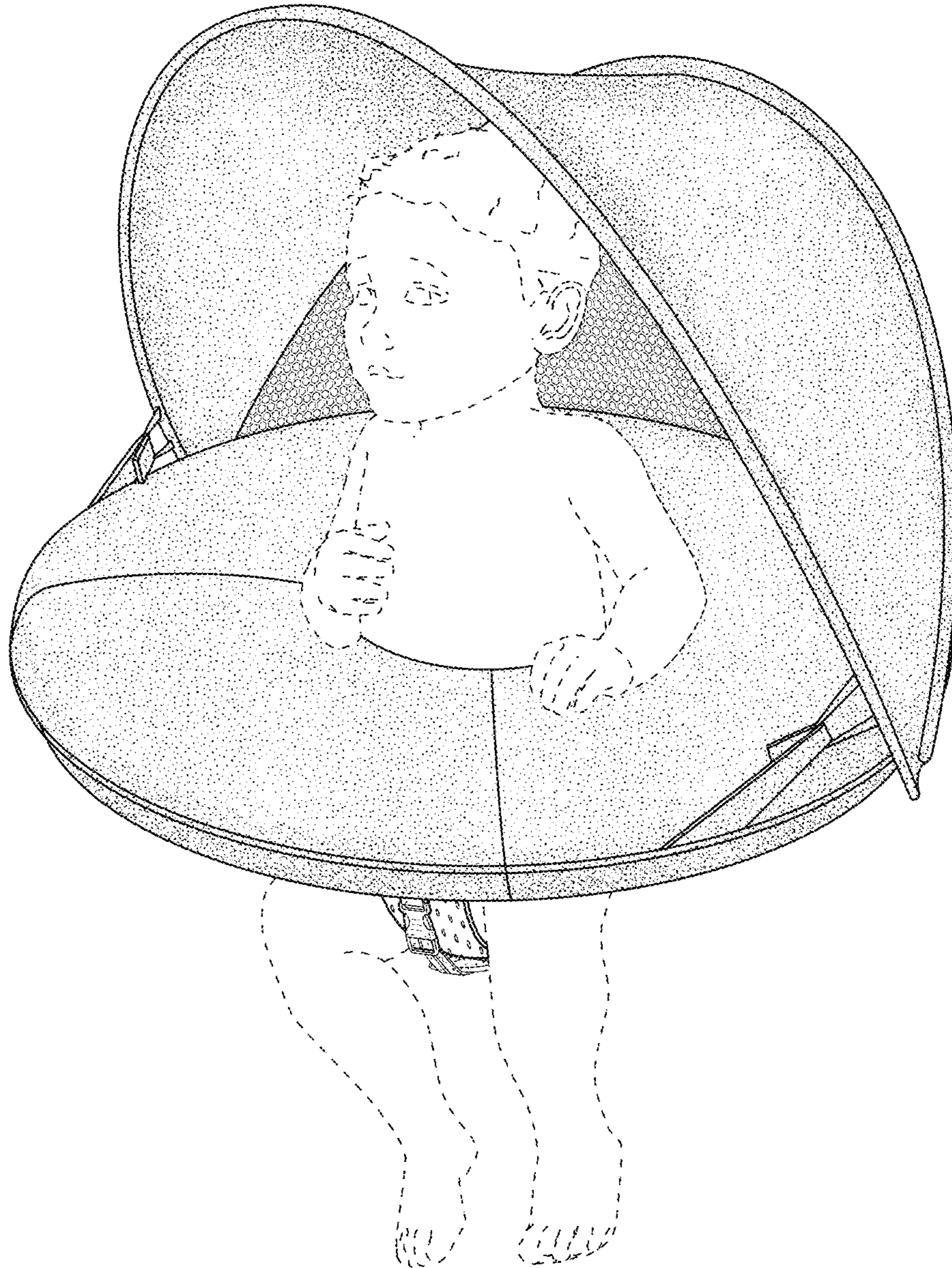


FIG. 1

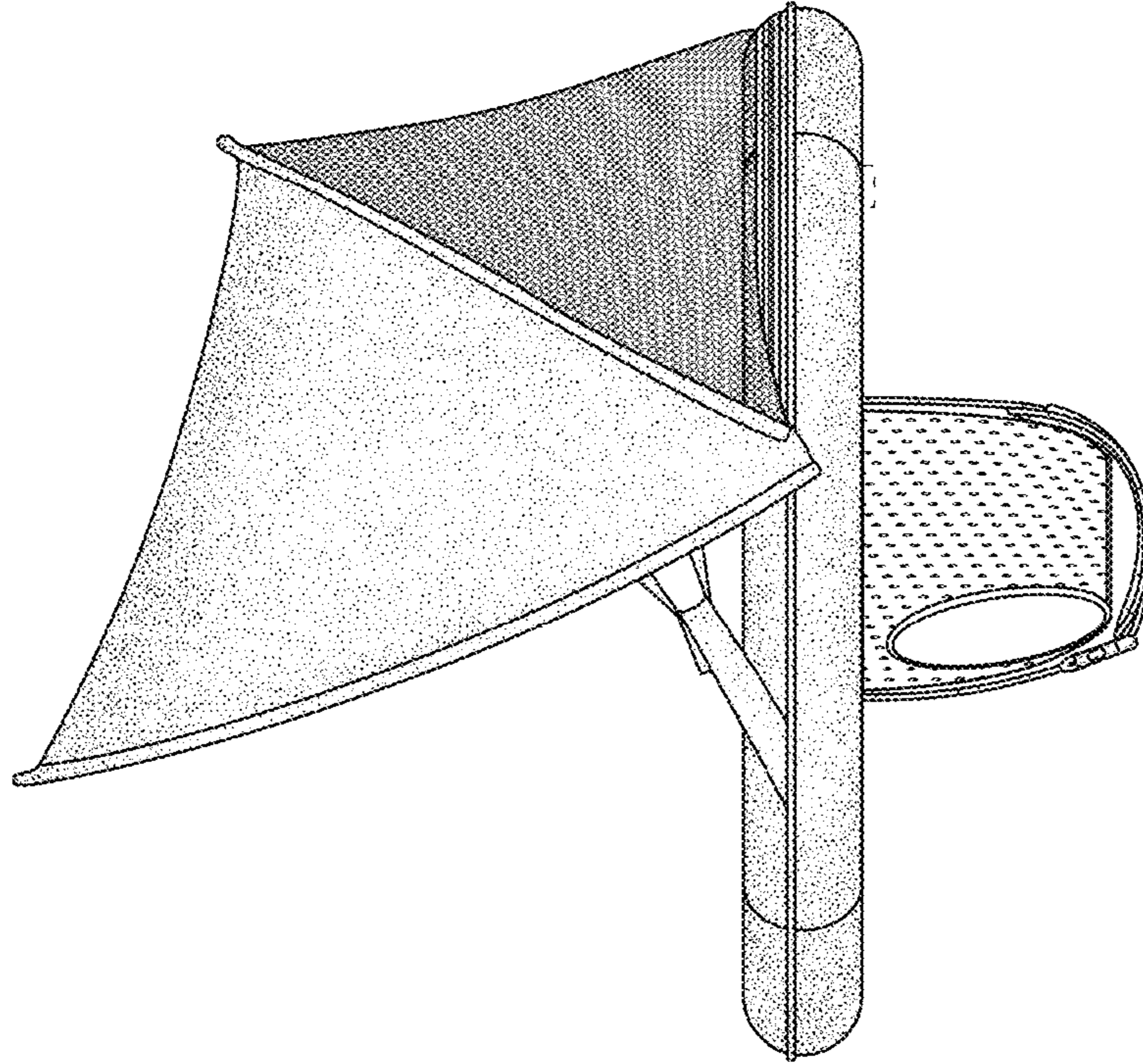


FIG. 3

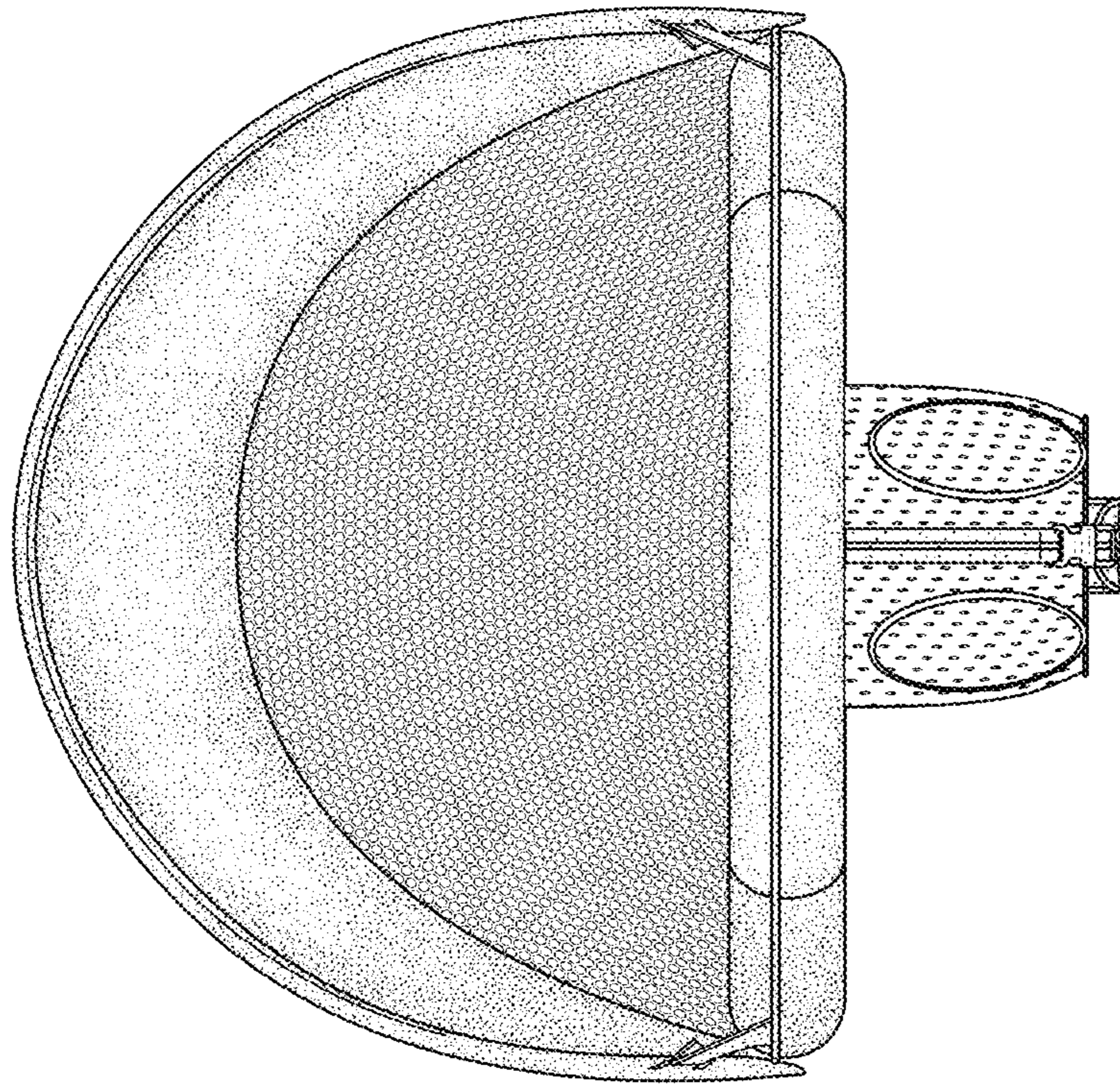


FIG. 2

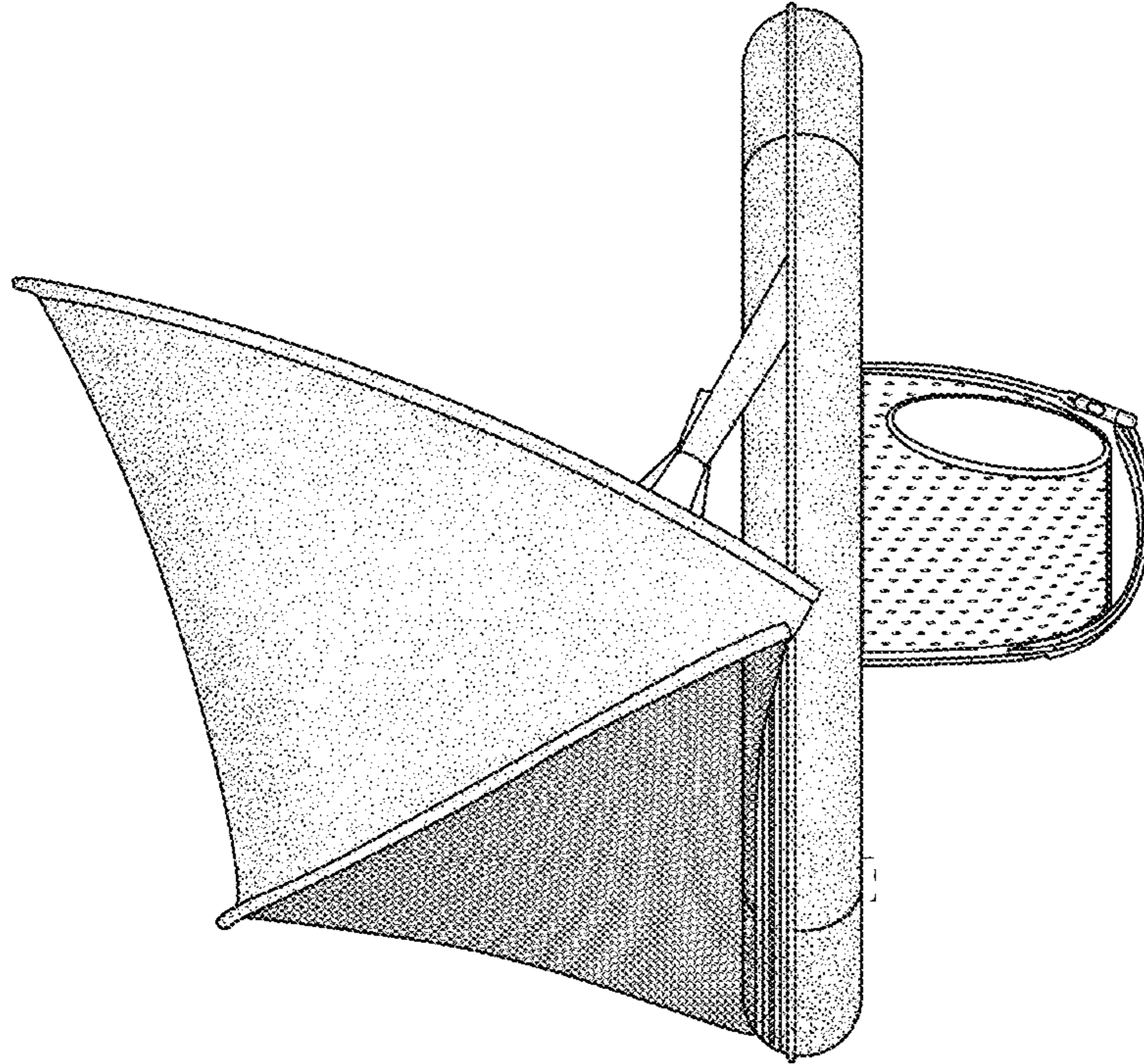


FIG. 5

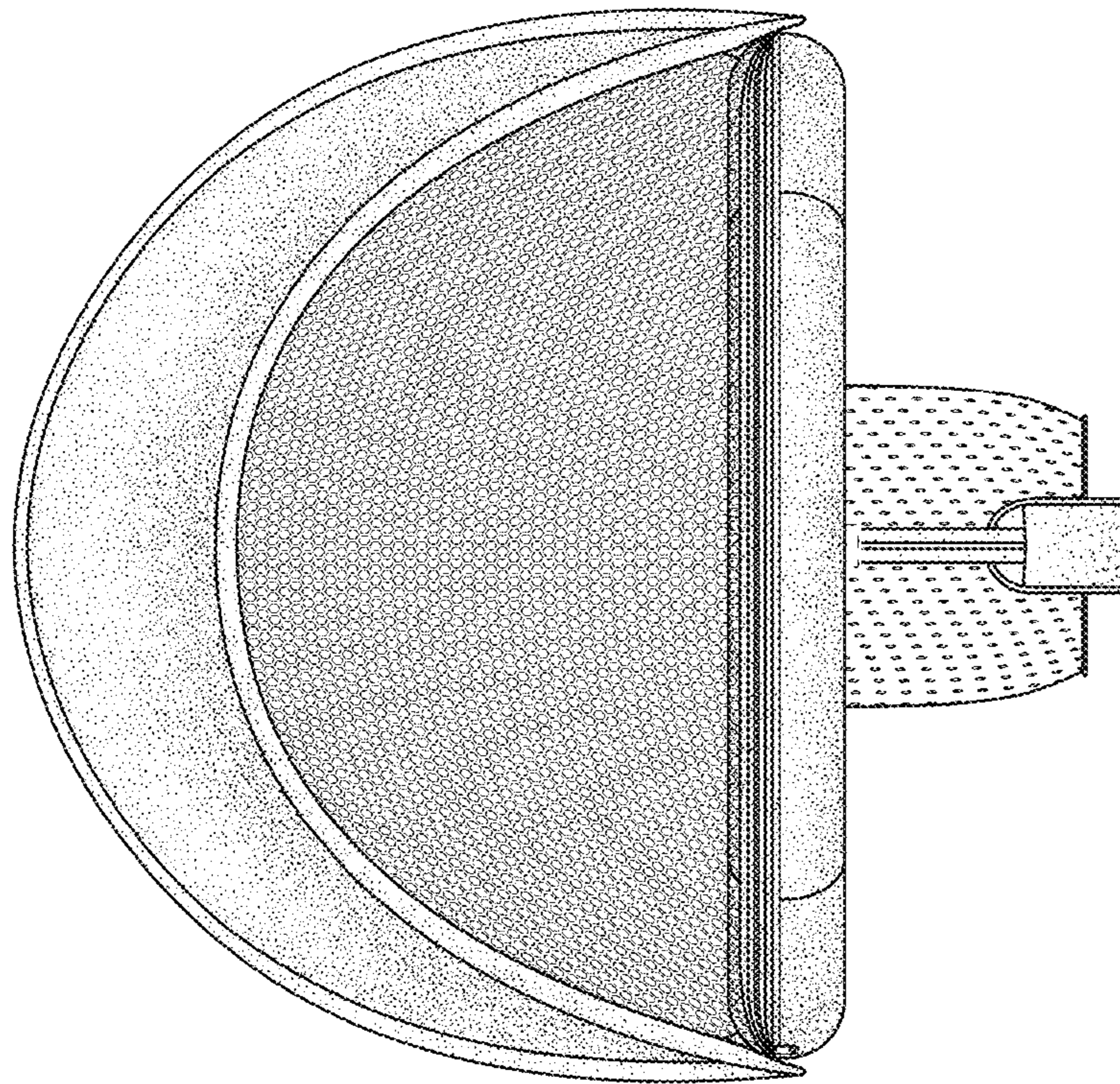


FIG. 4

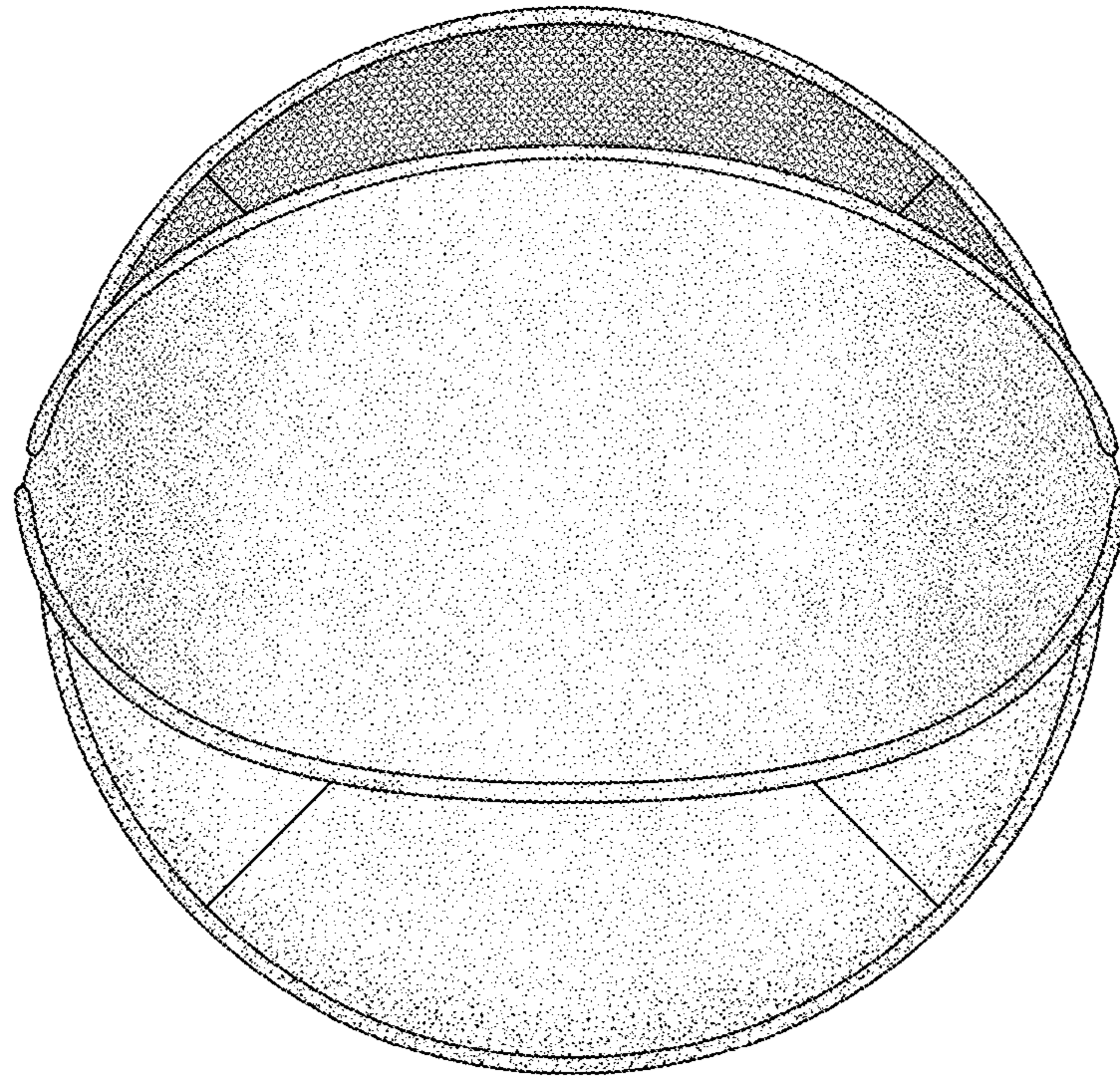


FIG. 6

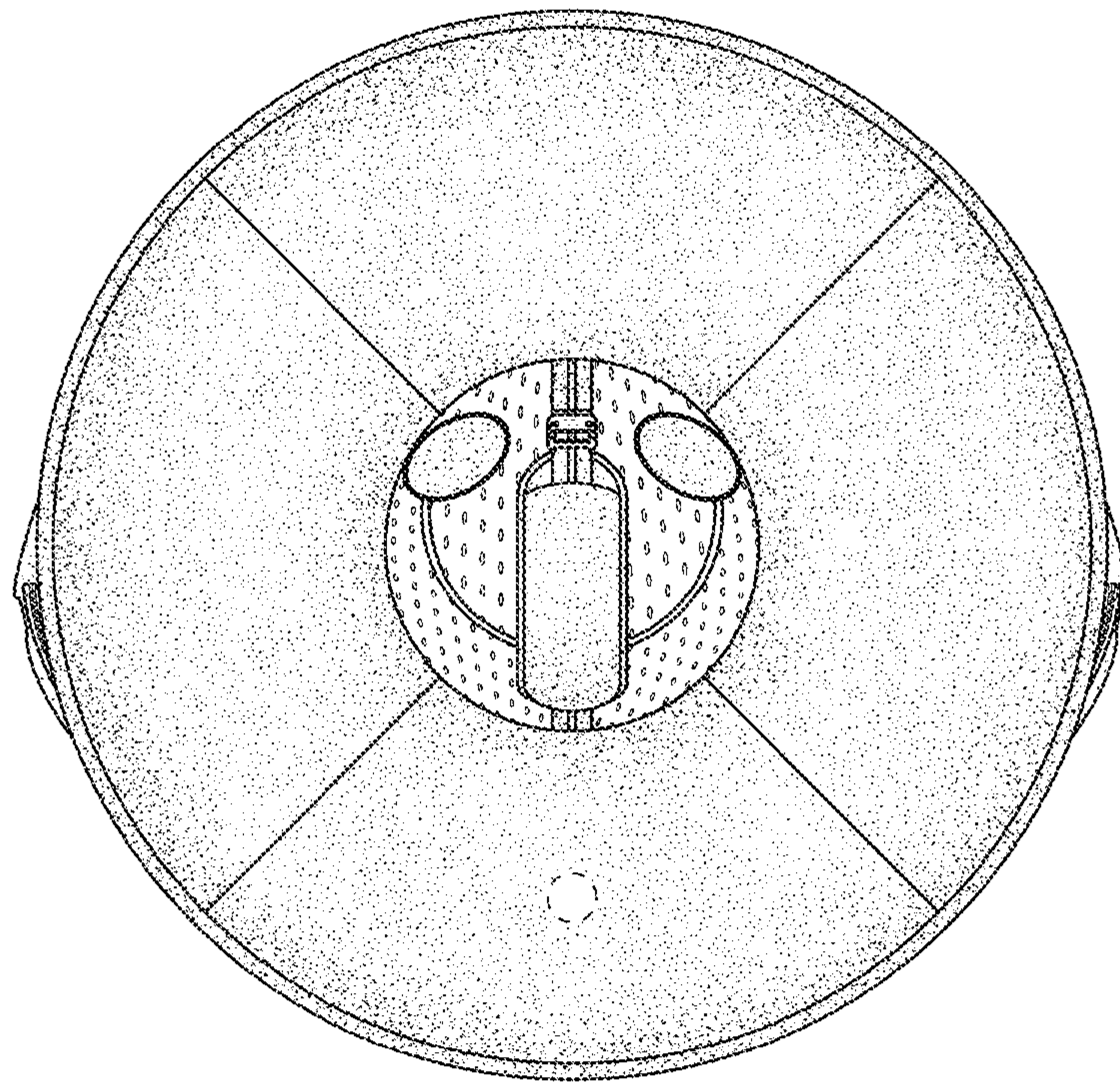


FIG. 7