



US00D847928S

(12) **United States Design Patent**  
**Lee et al.**

(10) **Patent No.:** **US D847,928 S**  
(45) **Date of Patent:** **\*\* May 7, 2019**

- (54) **SURFBOARD FIN**
- (71) Applicant: **JCTECH CO., LTD.**, Incheon (KR)
- (72) Inventors: **Young-jae Lee**, Seoul (KR); **Ho-jae Lee**, Bucheon-si (KR); **Young-kook Cho**, Marietta, GA (US)
- (73) Assignee: **JCTECH CO., LTD.** (KR)
- (\*\*) Term: **15 Years**
- (21) Appl. No.: **29/629,746**
- (22) Filed: **Dec. 15, 2017**
- (51) **LOC (11) Cl.** ..... **21-02**
- (52) **U.S. Cl.**  
USPC ..... **D21/778**
- (58) **Field of Classification Search**  
USPC ..... D21/684-685, 760-761, 765-766,  
D21/768-777, 778; D12/5, 6, 316  
CPC ..... B63B 35/79; B63B 35/73; B63B 1/00  
See application file for complete search history.

- D397,394 S \* 8/1998 Akins ..... D21/778
- D445,867 S \* 7/2001 Reudink ..... D21/772
- D633,972 S \* 3/2011 Etersque ..... D21/778
- D703,781 S \* 4/2014 Durante ..... D21/778

\* cited by examiner

*Primary Examiner* — Zenia I Bennett  
(74) *Attorney, Agent, or Firm* — Park & Associates IP Law, P.C.

(57) **CLAIM**

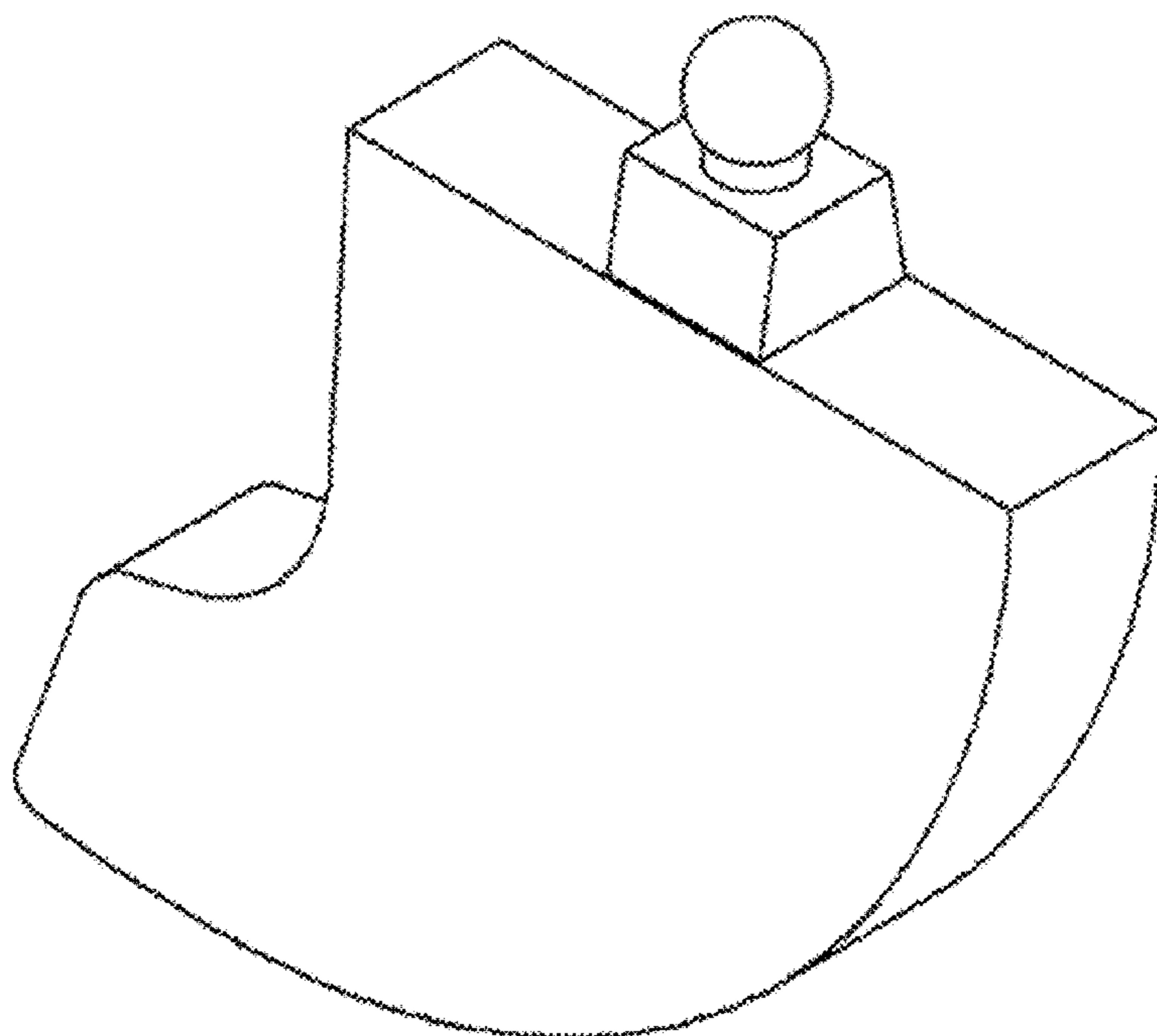
The ornamental design for a surfboard fin, as shown and described.

**DESCRIPTION**

FIG. 1 is a perspective view of the surfboard fin in accordance with the new design;  
FIG. 2 is a front elevational view thereof;  
FIG. 3 is a rear elevational view thereof;  
FIG. 4 is a left side elevational view thereof;  
FIG. 5 is a right side elevational view thereof;  
FIG. 6 is a top plan view thereof;  
FIG. 7 is a bottom plan view thereof;  
FIG. 8 is another perspective view thereof; and,  
FIG. 9 is a reference view illustrating a usage example of the surfboard fin which is coupled with a main surfboard. The broken lines shown in the drawings from no part of the claimed design.

- (56) **References Cited**  
U.S. PATENT DOCUMENTS  
3,516,100 A \* 6/1970 Ellis ..... B63B 35/793  
114/141  
5,480,331 A \* 1/1996 Lewis ..... B29D 99/0025  
114/127

**1 Claim, 4 Drawing Sheets**



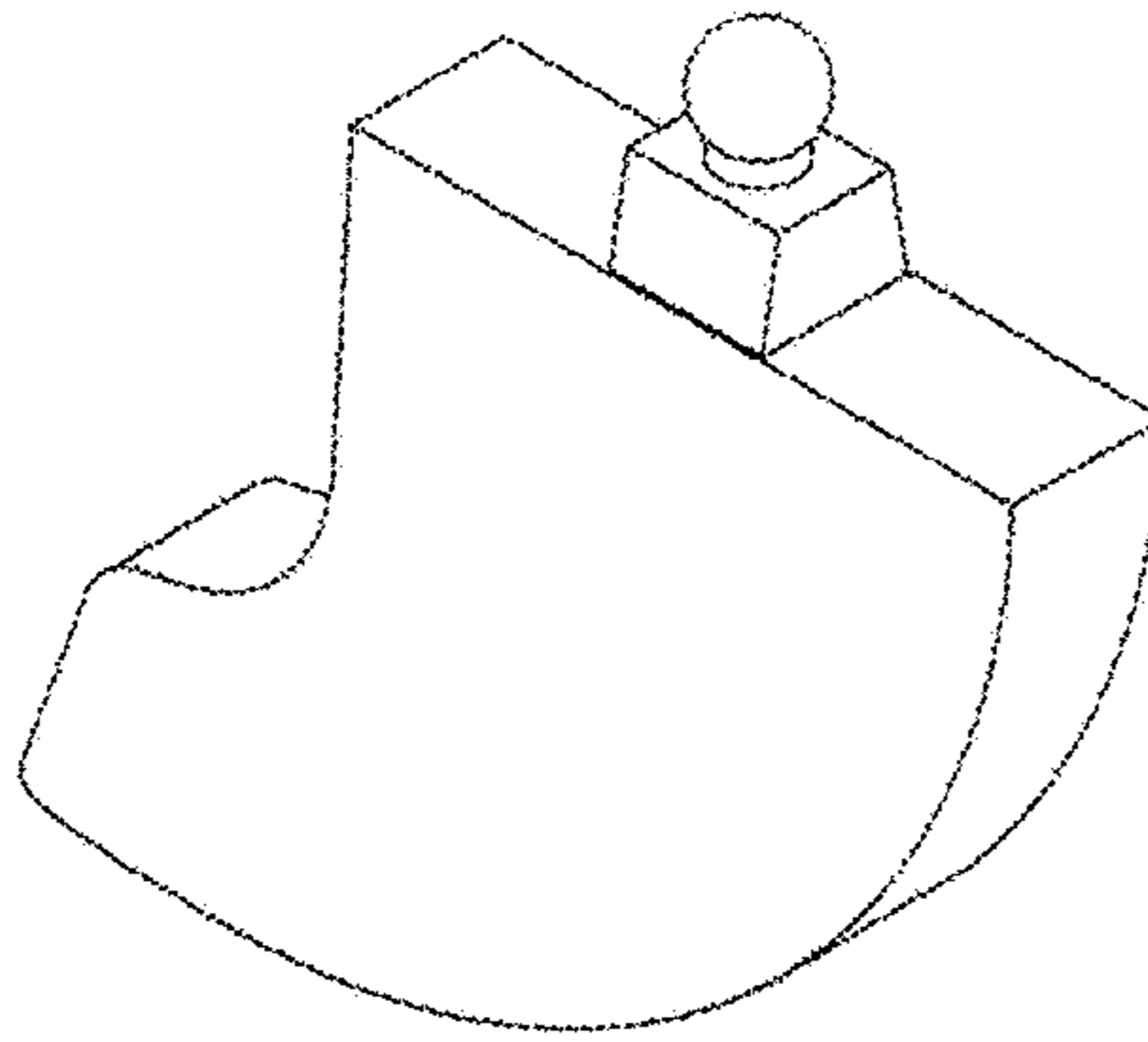


FIG. 1

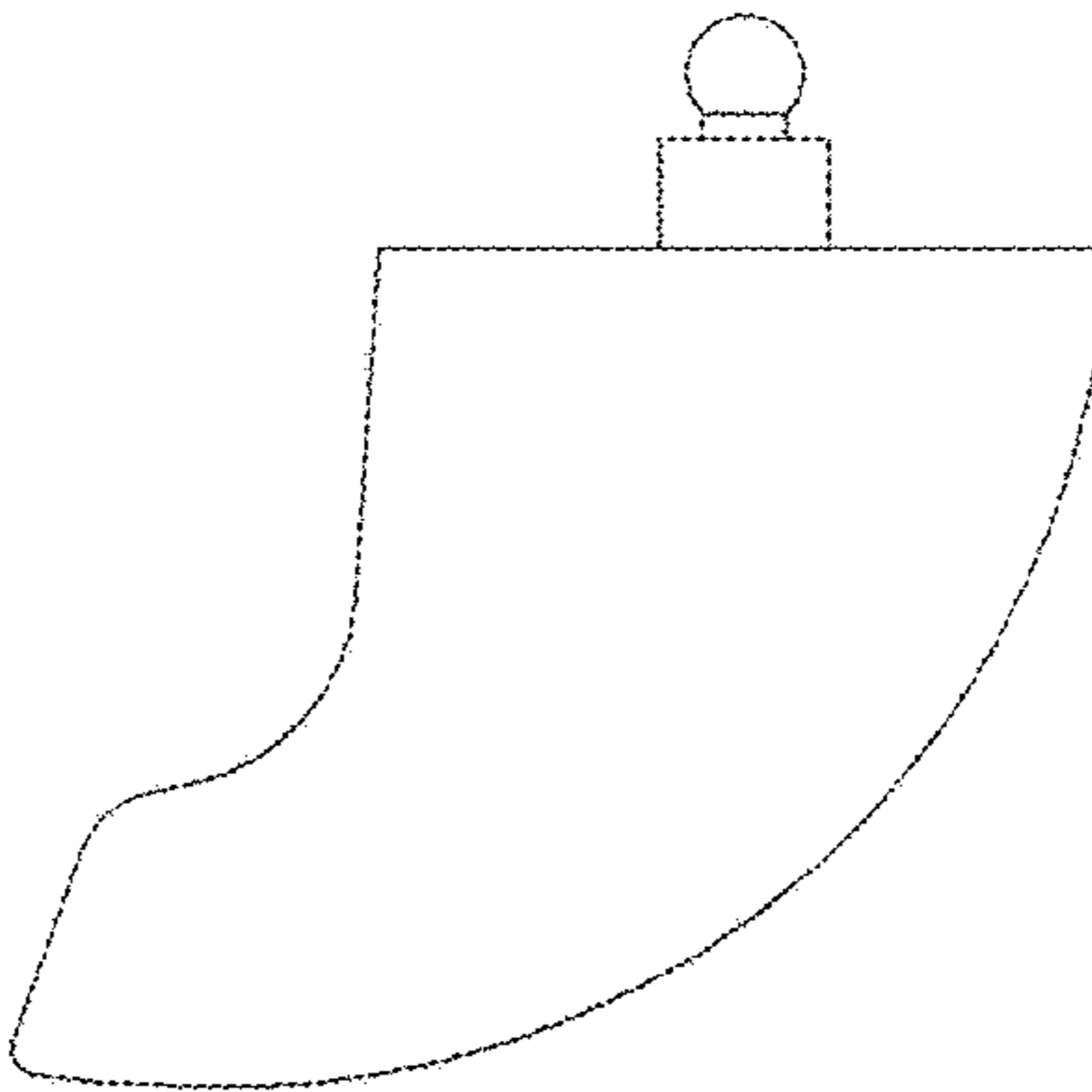


FIG. 2

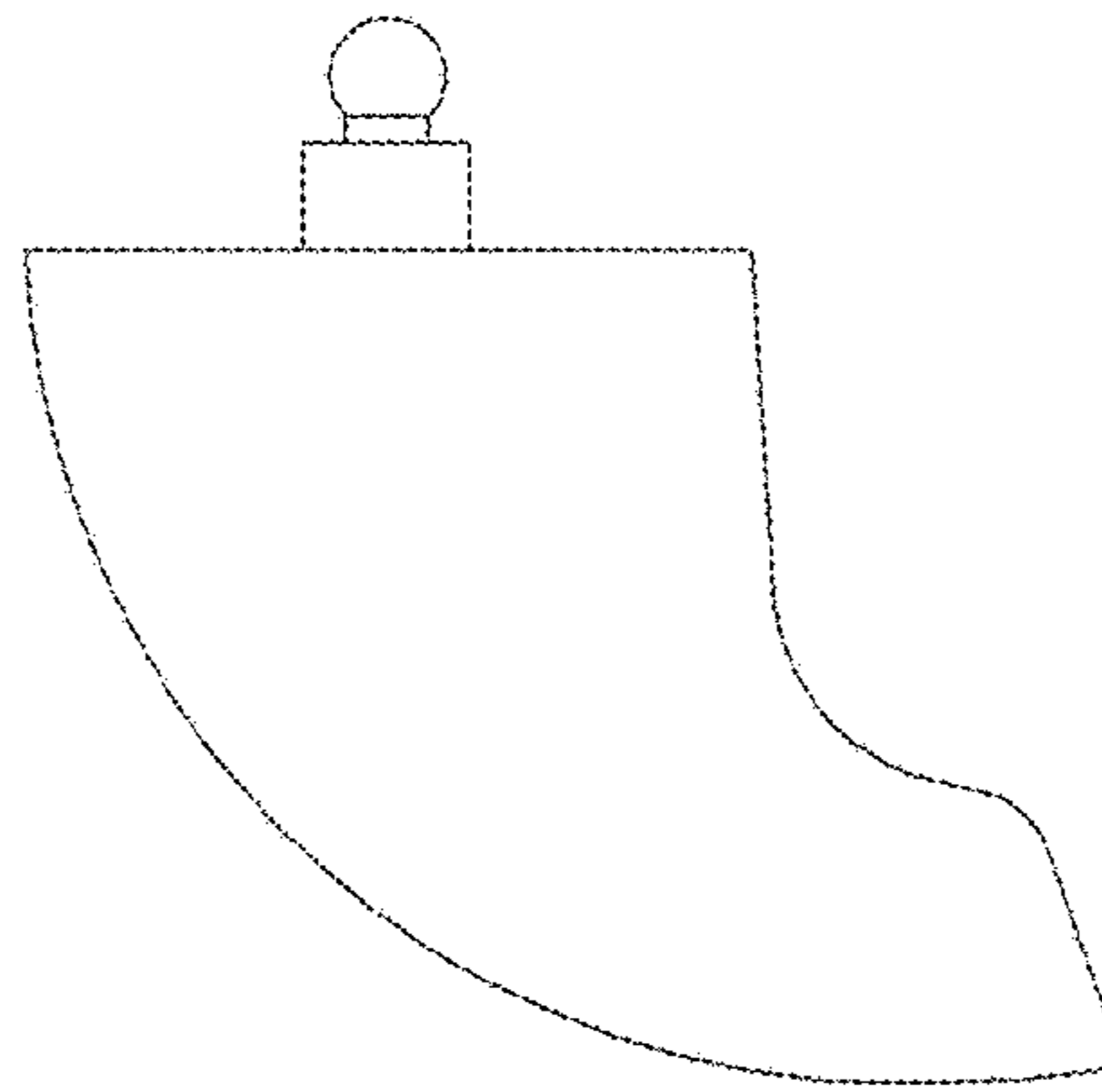


FIG. 3



FIG. 4



FIG. 5



FIG. 6



FIG. 7

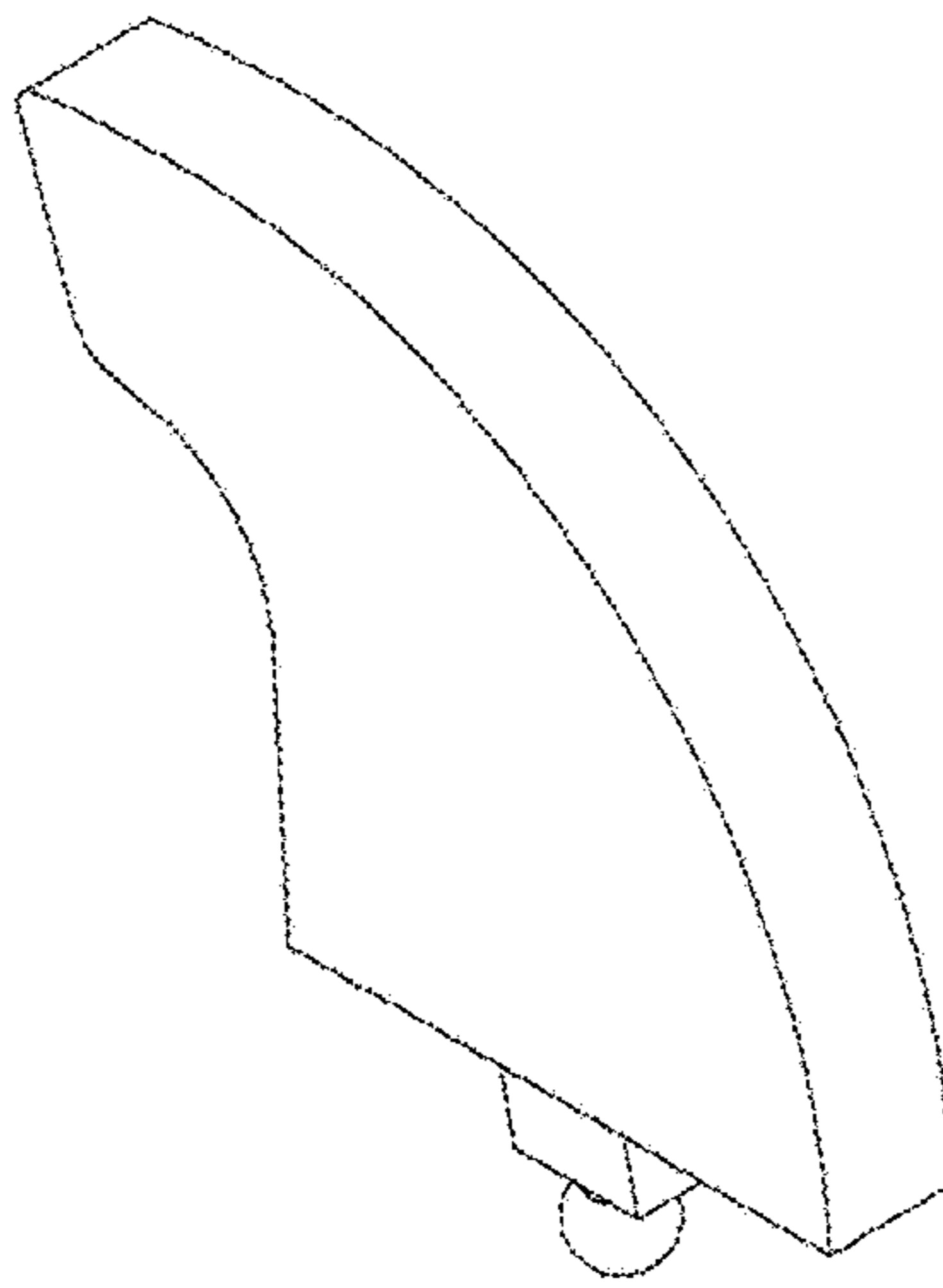


FIG. 8

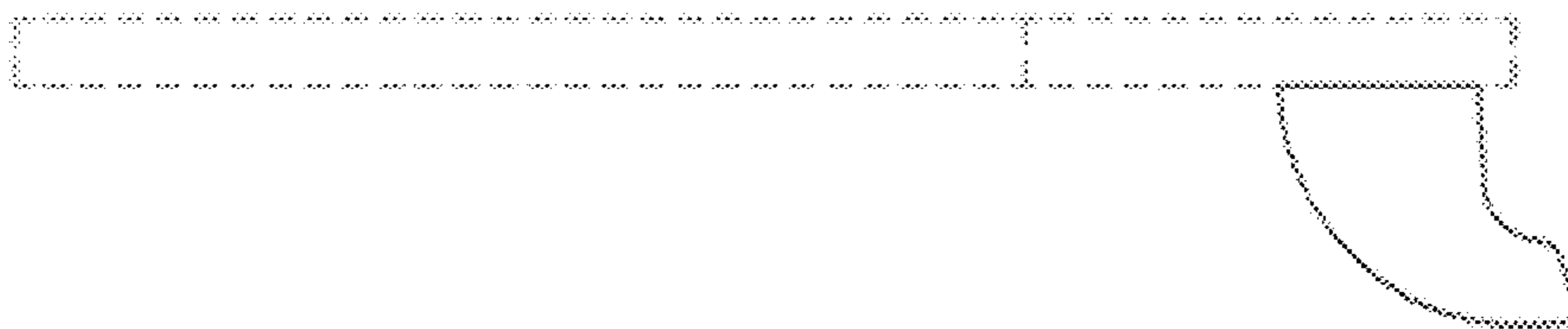


FIG. 9