



US00D847926S

(12) **United States Design Patent**
Wang et al.

(10) **Patent No.:** **US D847,926 S**

(45) **Date of Patent:** **** May 7, 2019**

(54) **GOLF CLUB HEAD**

(71) Applicant: **Karsten Manufacturing Corporation**,
Phoenix, AZ (US)

(72) Inventors: **Calvin S. Wang**, Chandler, AZ (US);
David A. Higdon, Cave Creek, AZ
(US)

(73) Assignee: **Karsten Manufacturing Corporation**,
Phoenix, AZ (US)

(**) Term: **15 Years**

(21) Appl. No.: **29/626,241**

(22) Filed: **Nov. 15, 2017**

(51) **LOC (11) Cl.** **21-02**

(52) **U.S. Cl.**
USPC **D21/744**

(58) **Field of Classification Search**
USPC D21/736-746, 759
CPC A63B 53/00; A63B 53/04; A63B 53/007;
A63B 53/065; A63B 53/0487; A63B
60/00; A63B 60/46
See application file for complete search history.

(56) **References Cited**

U.S. PATENT DOCUMENTS

D207,227 S	3/1967	Solheim	
D239,951 S	5/1976	Carrier	
D334,959 S	4/1993	Linuma et al.	
D394,689 S *	5/1998	Sheets	D21/743
D402,721 S	12/1998	Gurrola	
D445,865 S *	7/2001	Mills	D21/759
D483,823 S *	12/2003	Swist	D21/736
D485,320 S	1/2004	Breier et al.	
D498,276 S	11/2004	Schweigert et al.	
D524,887 S	7/2006	Jones et al.	
D525,328 S	7/2006	Solheim et al.	
D525,329 S	7/2006	Jones et al.	

D531,241 S	10/2006	Hueber
D535,712 S	1/2007	Torossian
D548,294 S	8/2007	Nguyen et al.
D565,678 S	4/2008	Cameron
D574,906 S	8/2008	Jones et al.
D574,909 S	8/2008	Jones et al.
D574,911 S	8/2008	Jones et al.

(Continued)

Primary Examiner — Mitchell I. Siegel

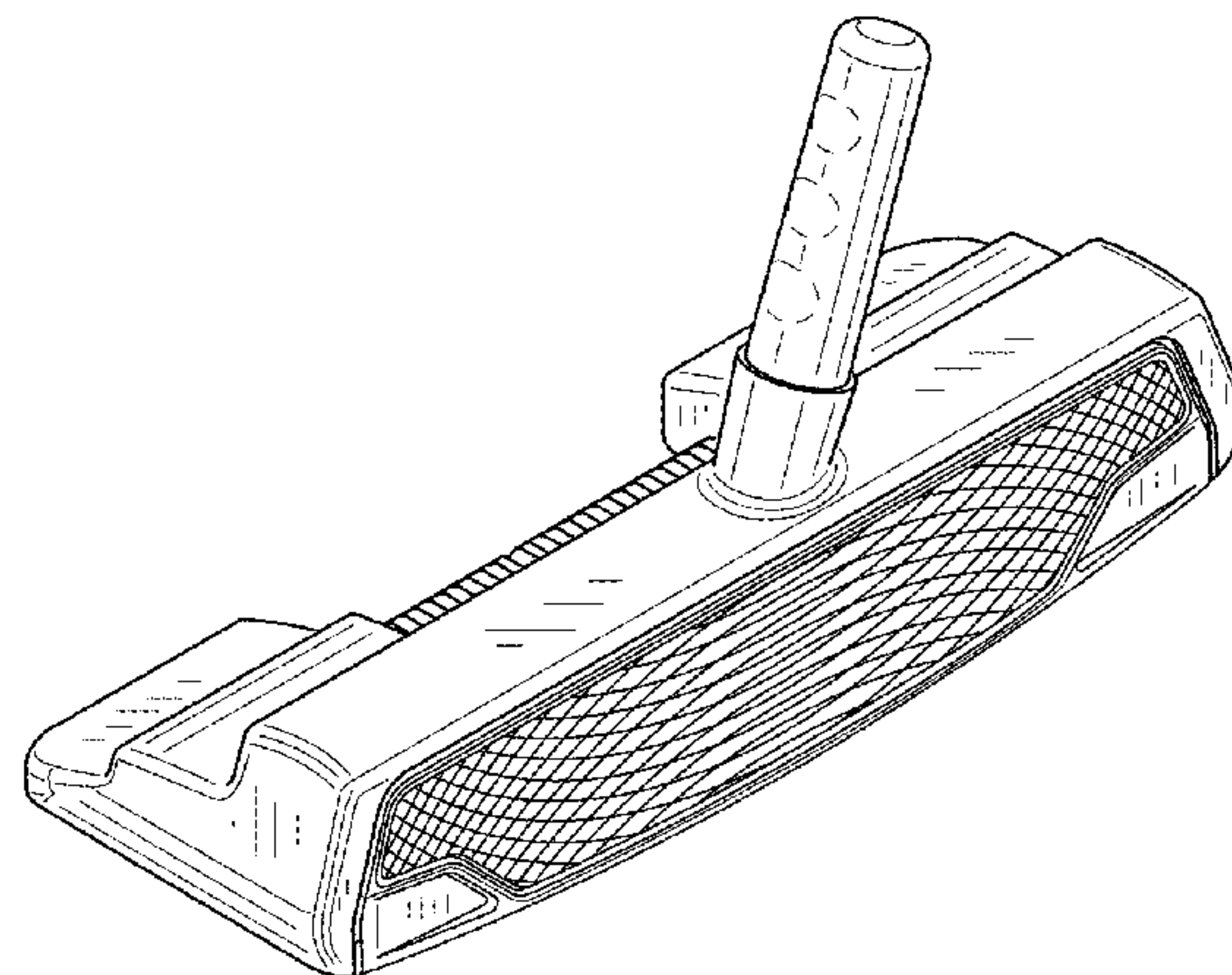
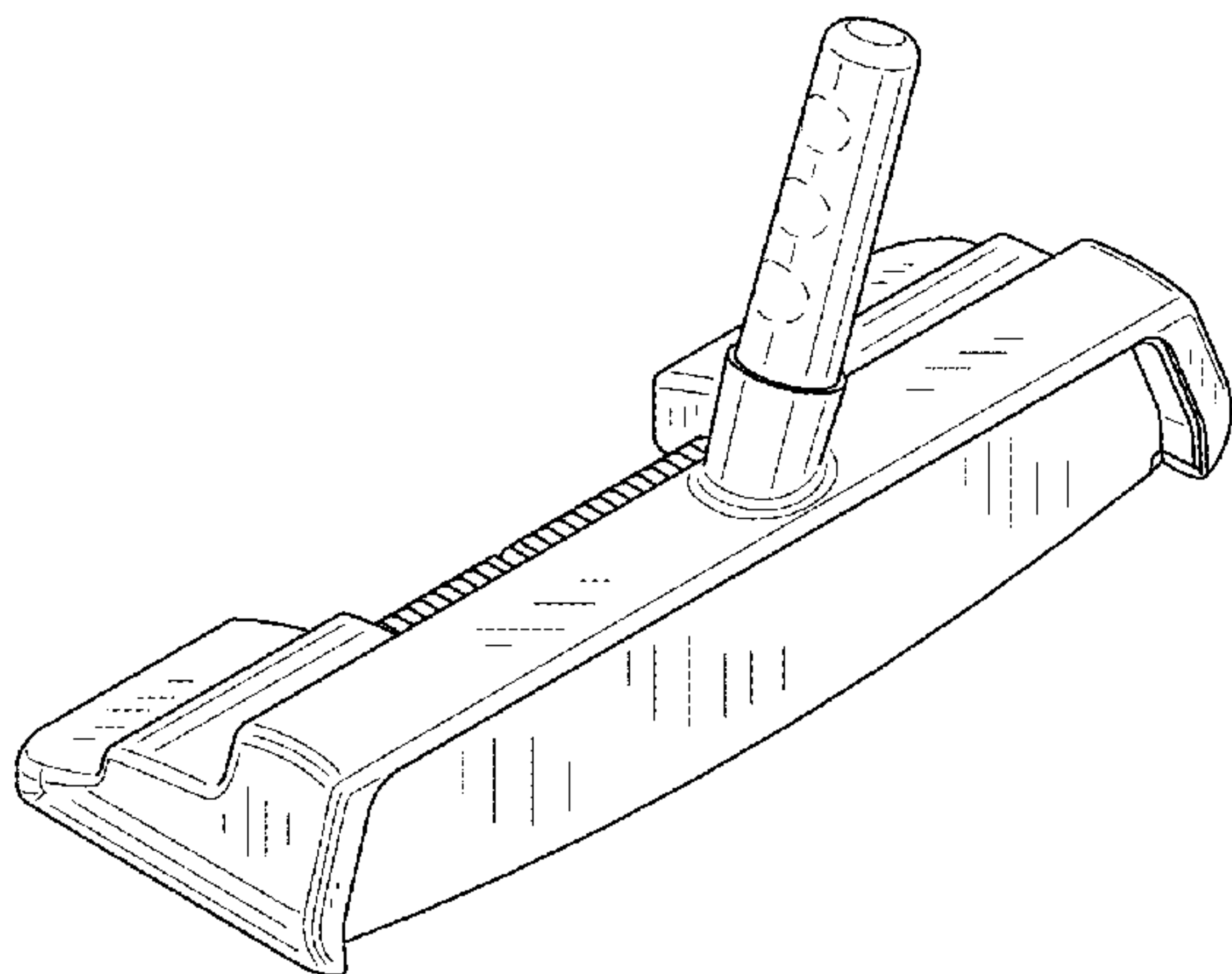
(57) **CLAIM**

The ornamental design for a golf club head, as shown and described.

DESCRIPTION

FIG. 1 is a top perspective view of a golf club head;
 FIG. 2 is a bottom perspective view of the golf club head of FIG. 1;
 FIG. 3 is a top view of the golf club head of FIG. 1;
 FIG. 4 is a bottom view of the golf club head of FIG. 1;
 FIG. 5 is a front view of the golf club head of FIG. 1;
 FIG. 6 is a rear view of the golf club head of FIG. 1;
 FIG. 7 is a heel side view of the golf club head of FIG. 1;
 FIG. 8 is a toe side view of the golf club head of FIG. 1;
 FIG. 9 is a top perspective view of another embodiment of a golf club head;
 FIG. 10 is a bottom perspective view of the golf club head of FIG. 9;
 FIG. 11 is a top view of the golf club head of FIG. 9;
 FIG. 12 is a bottom view of the golf club head of FIG. 9;
 FIG. 13 is a front view of the golf club head of FIG. 9;
 FIG. 14 is a rear view of the golf club head of FIG. 9;
 FIG. 15 is a heel side view of the golf club head of FIG. 9;
 and,
 FIG. 16 is a toe side view of the golf club head of FIG. 9.
 The broken line showing on the hosel of the golf club head is included for the purpose of illustrating unclaimed subject matter and forms no part of the claimed design.

1 Claim, 8 Drawing Sheets



(56)

References Cited

U.S. PATENT DOCUMENTS

D590,462 S	4/2009	Hettinger et al.	
D599,423 S	9/2009	Serrano et al.	
D638,892 S	5/2011	Hettinger et al.	
D650,456 S	12/2011	Tang et al.	
D688,339 S *	8/2013	Hilton	D21/736
D689,574 S *	9/2013	Rollinson	D21/743
D702,782 S	4/2014	Wempe et al.	
9,033,812 B2	5/2015	Solheim et al.	
D783,744 S *	4/2017	Cameron	D21/736
D784,468 S *	4/2017	Rollinson	D21/743
D790,013 S *	6/2017	Clarke	D21/743
D792,537 S *	7/2017	Clarke	D21/744
D797,220 S *	9/2017	Serrano	D21/743
D818,067 S *	5/2018	Toulon	D21/759

* cited by examiner

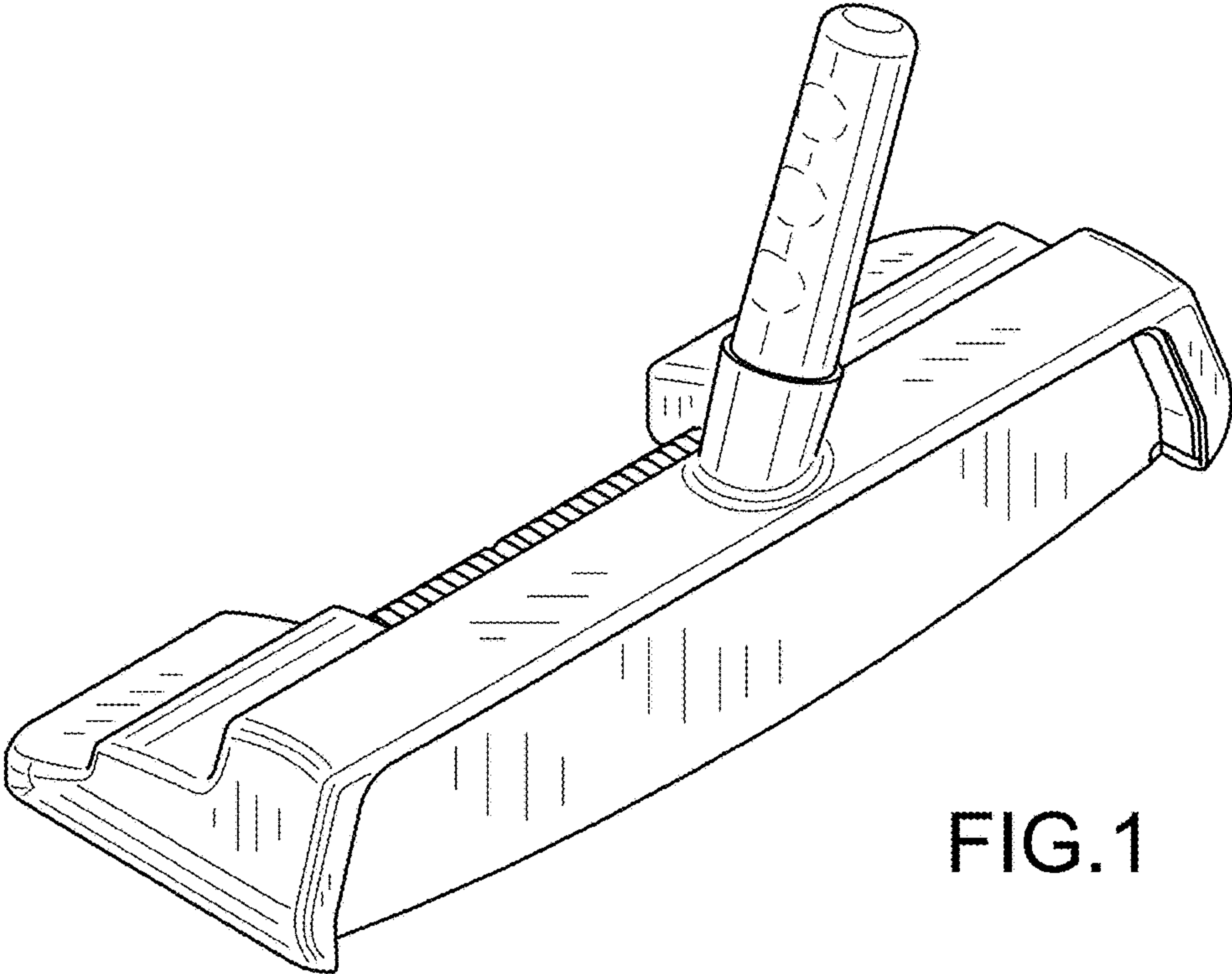


FIG.1

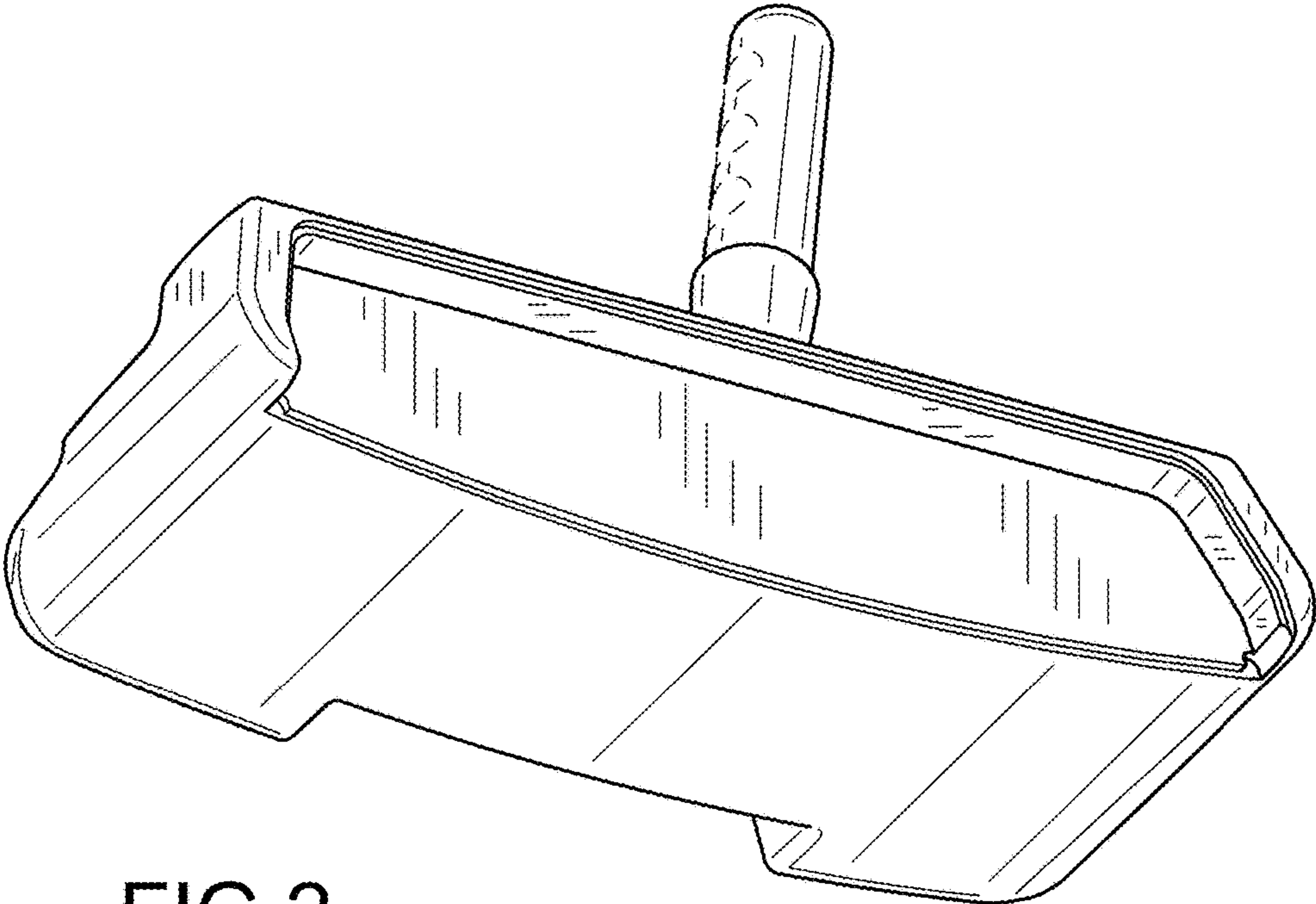


FIG.2

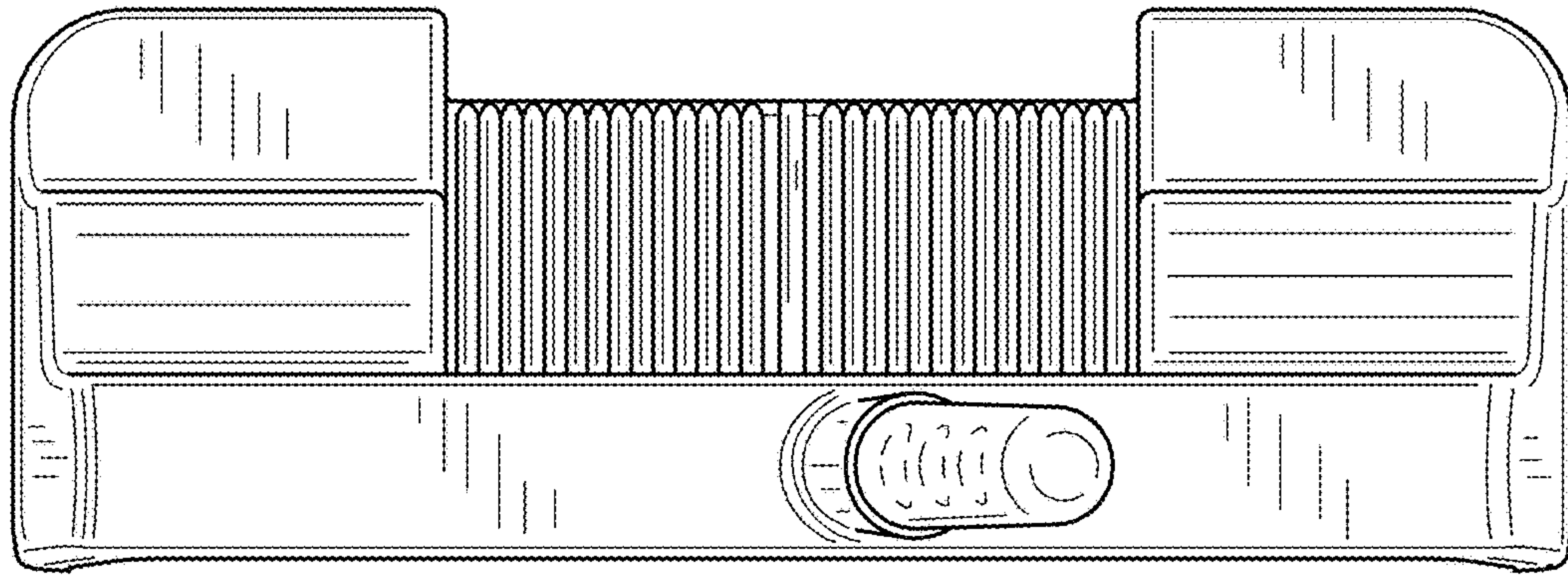


FIG.3

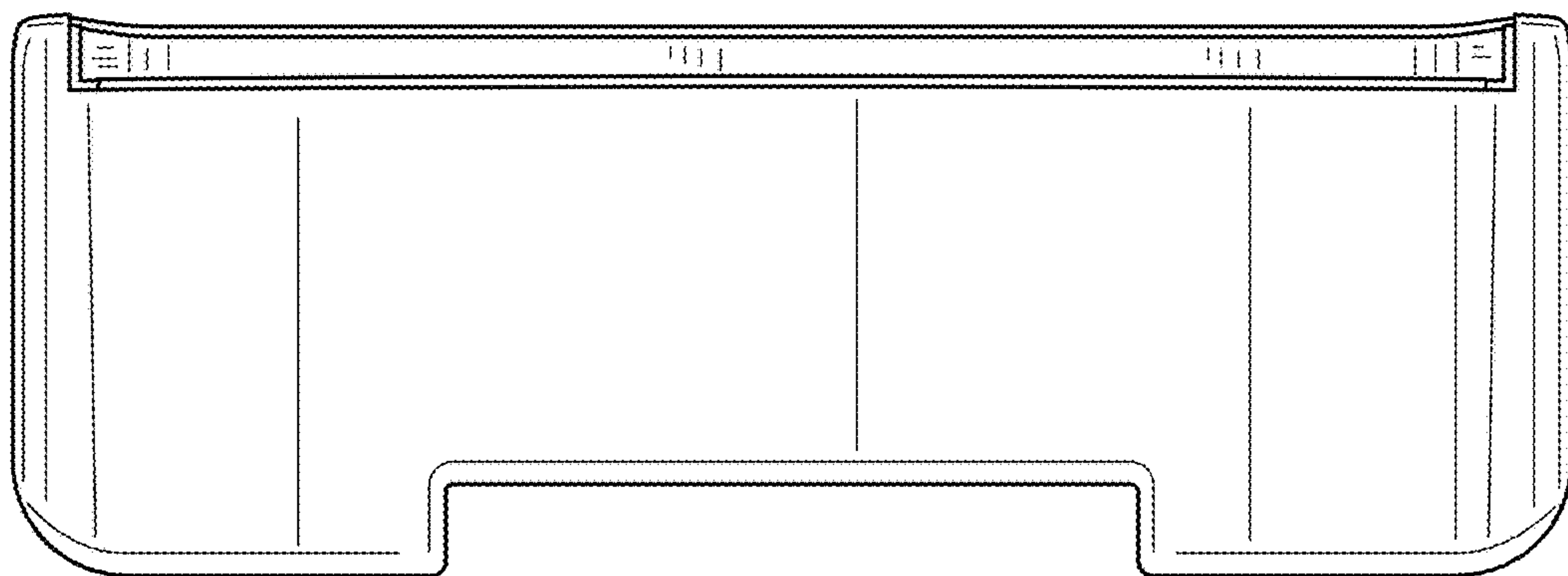


FIG.4

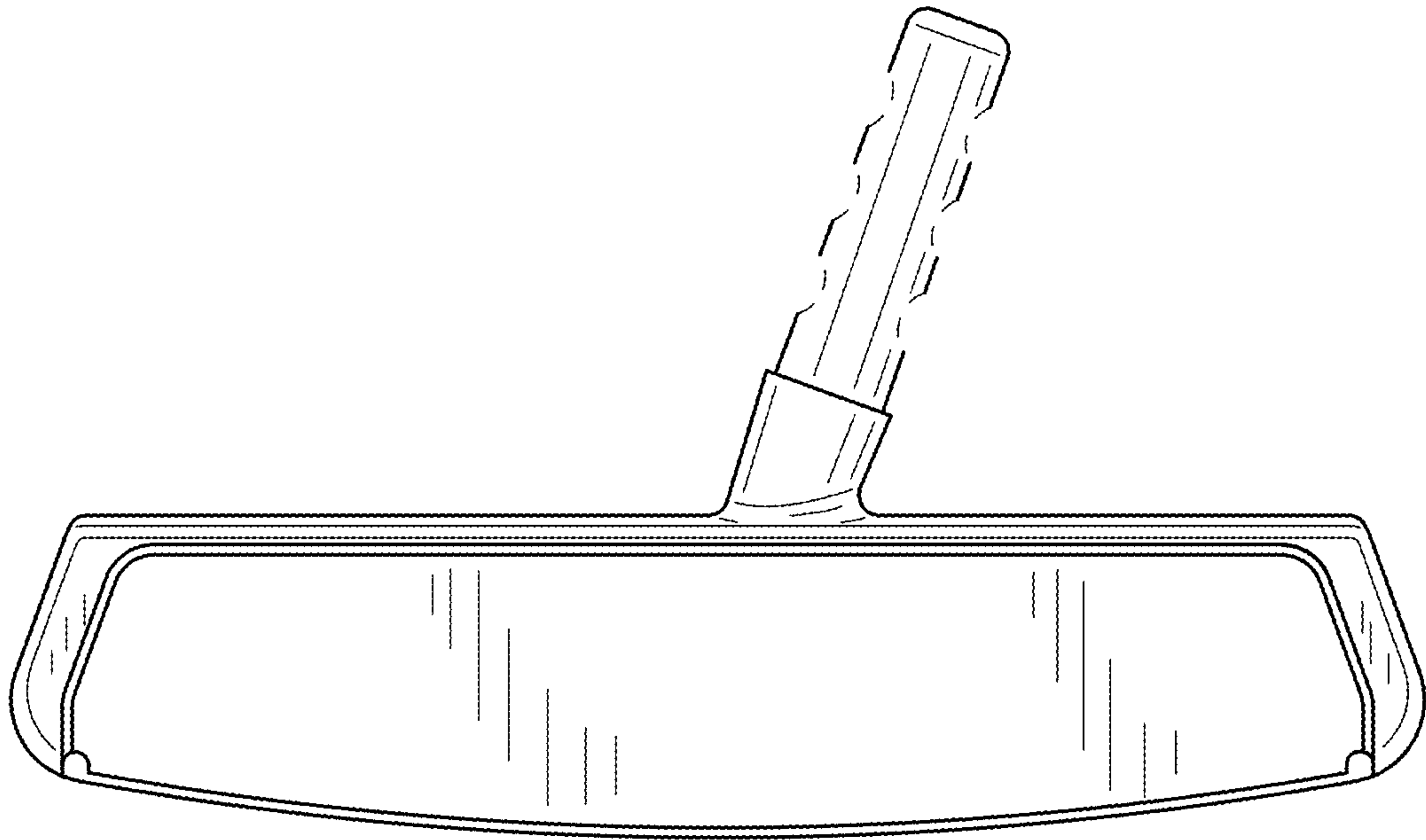


FIG. 5

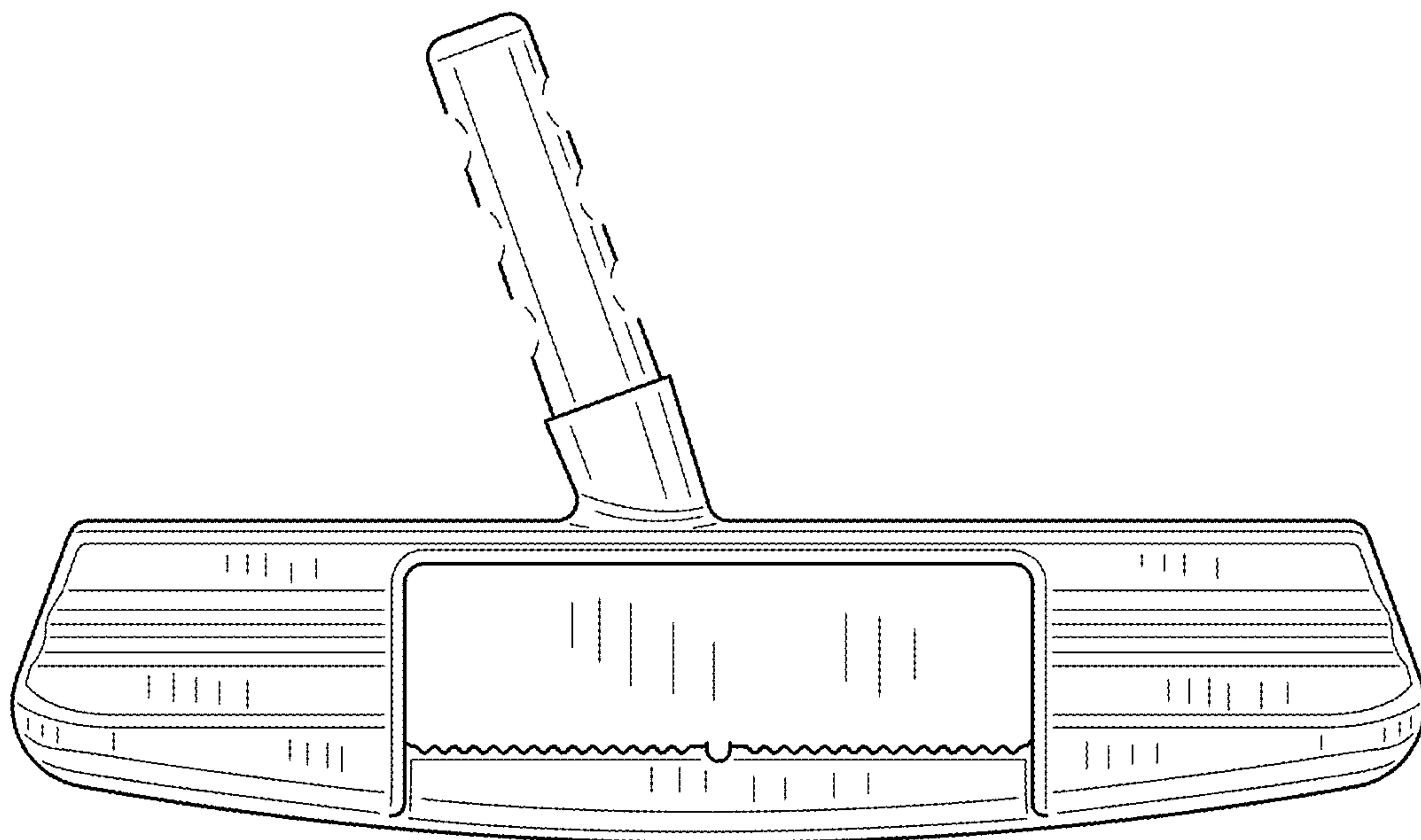


FIG. 6

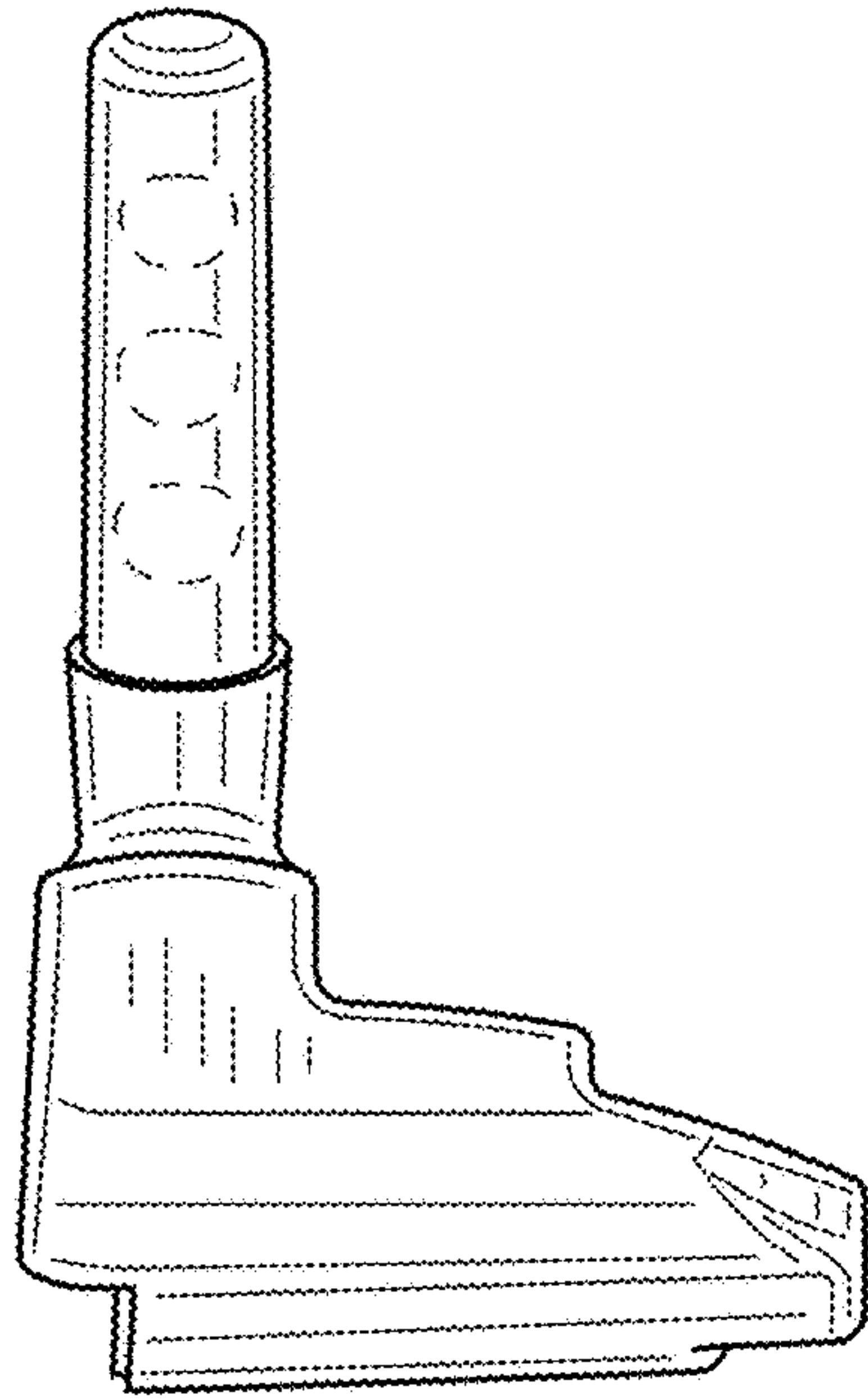


FIG.7

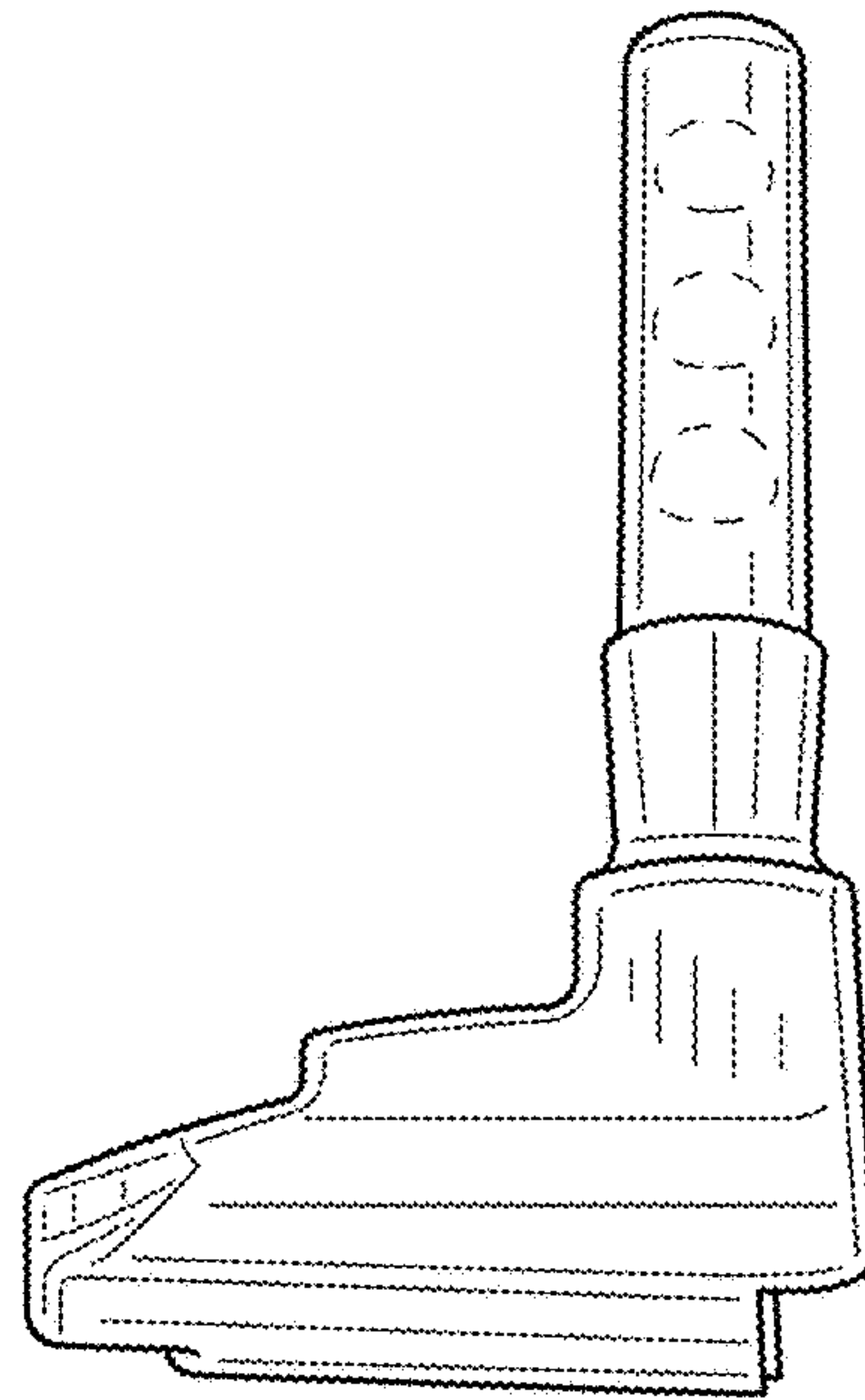


FIG.8

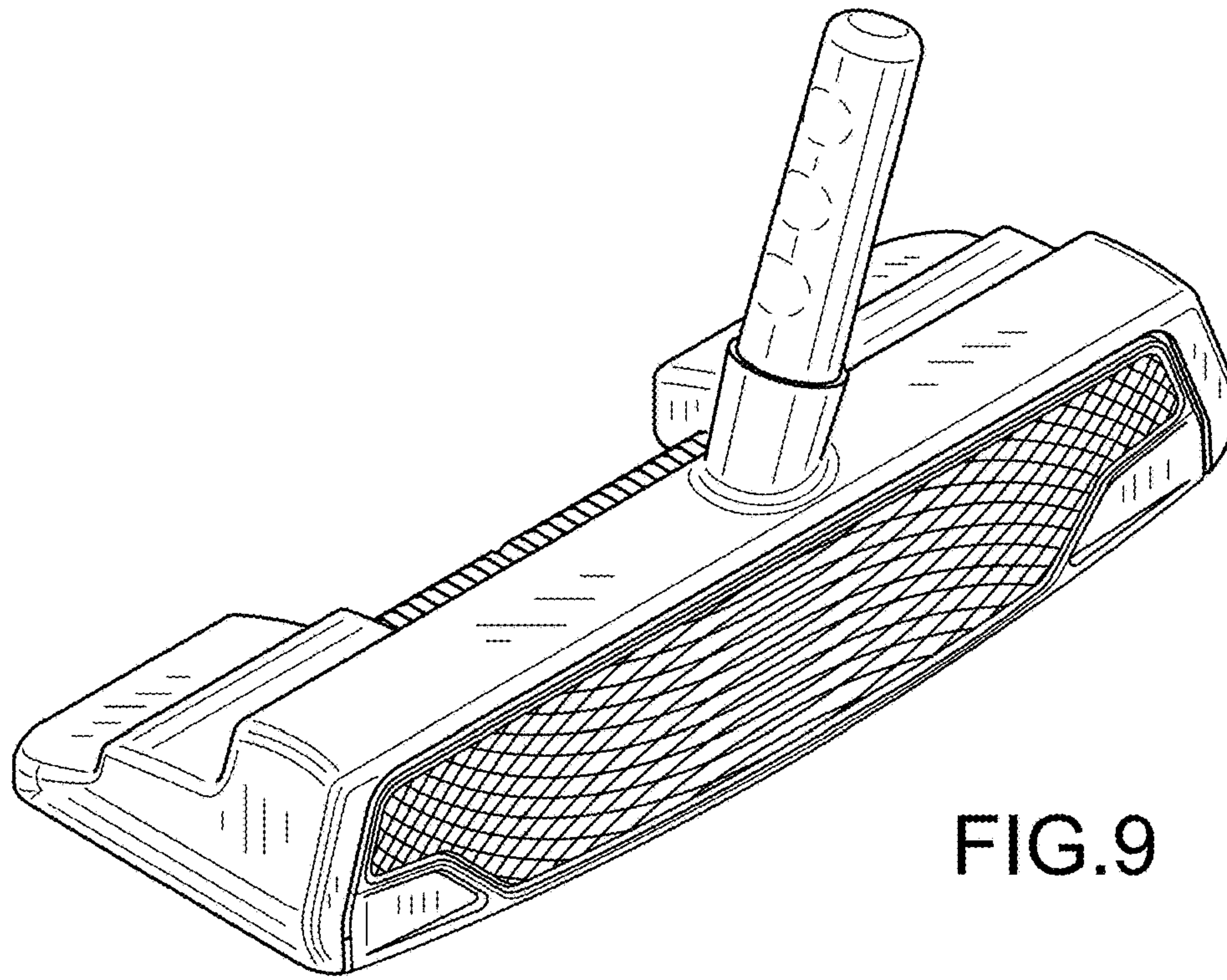


FIG. 9

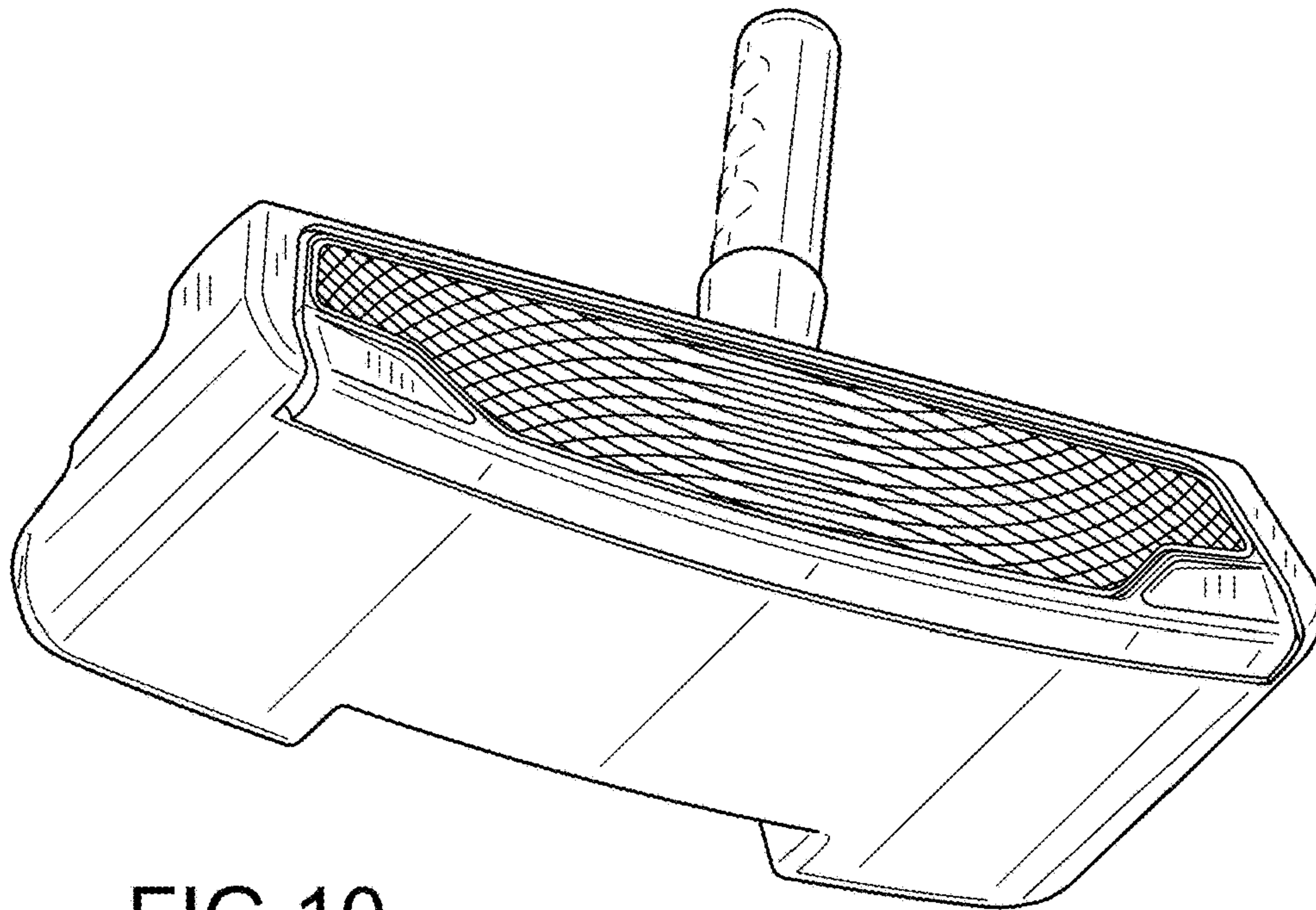


FIG. 10

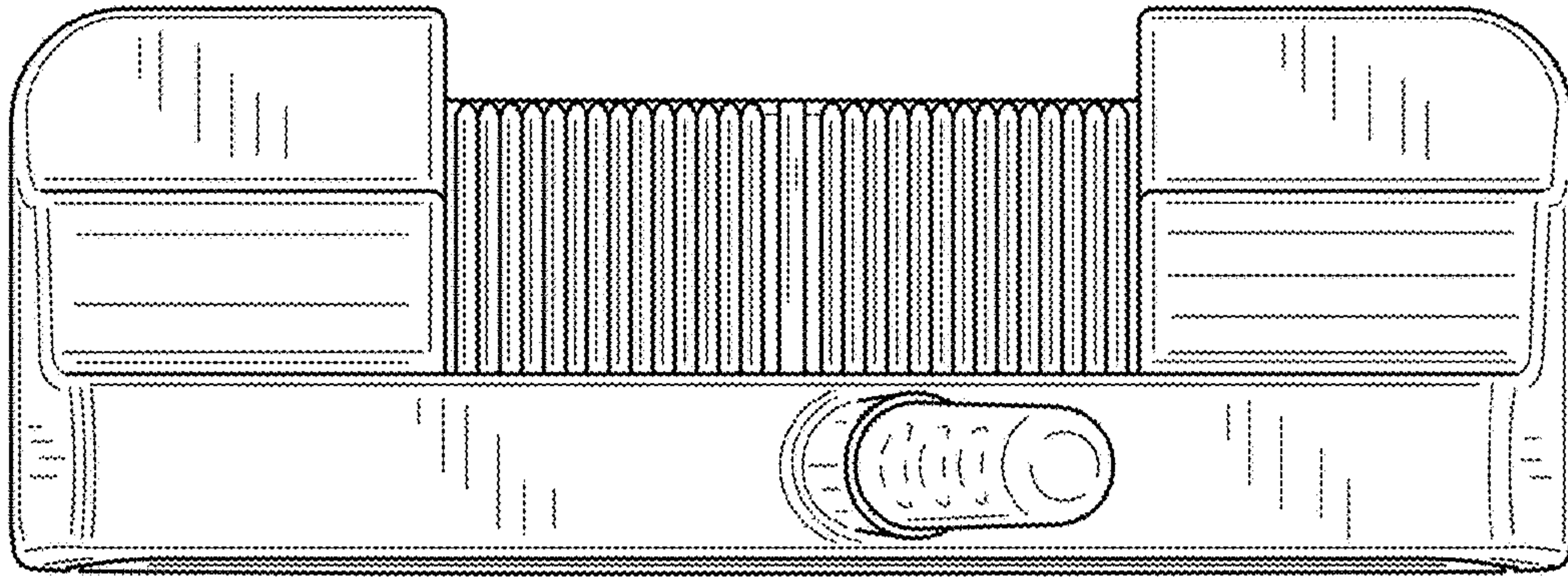


FIG. 11

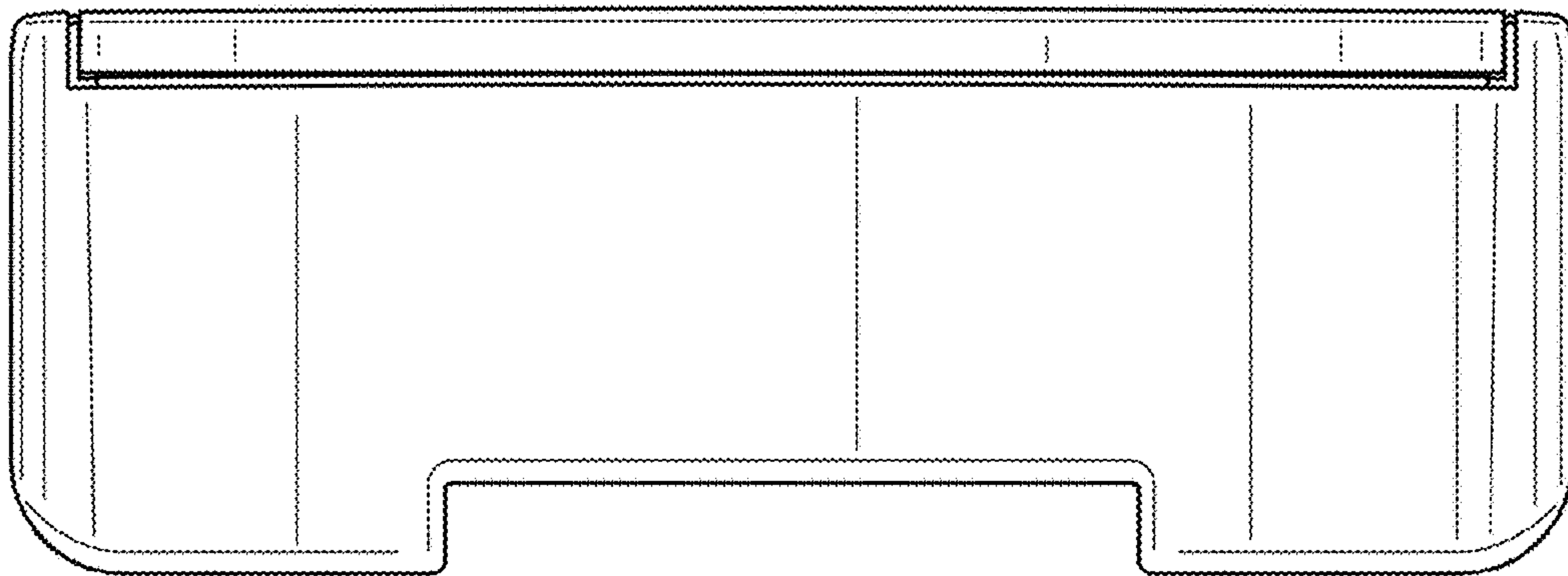


FIG. 12

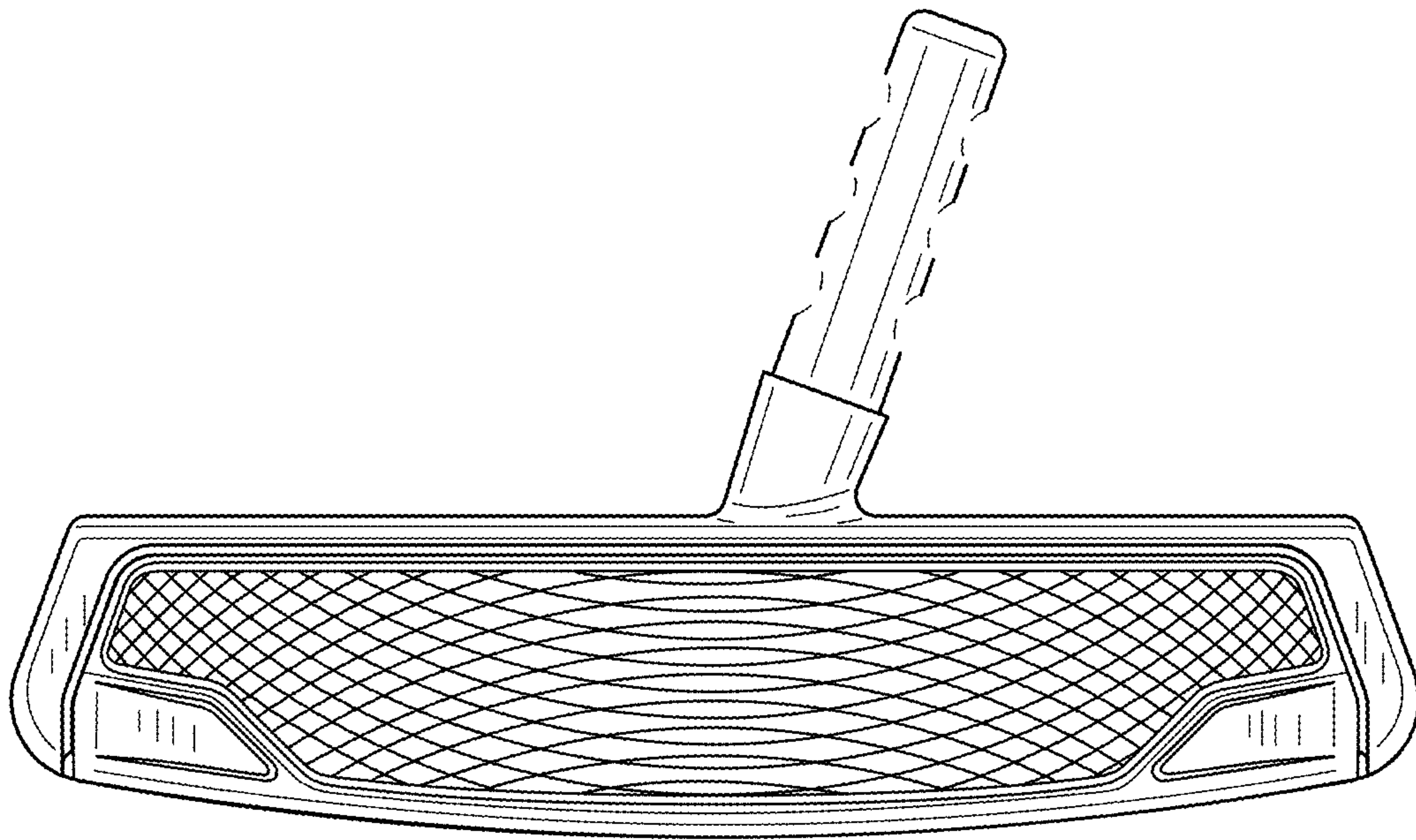


FIG.13

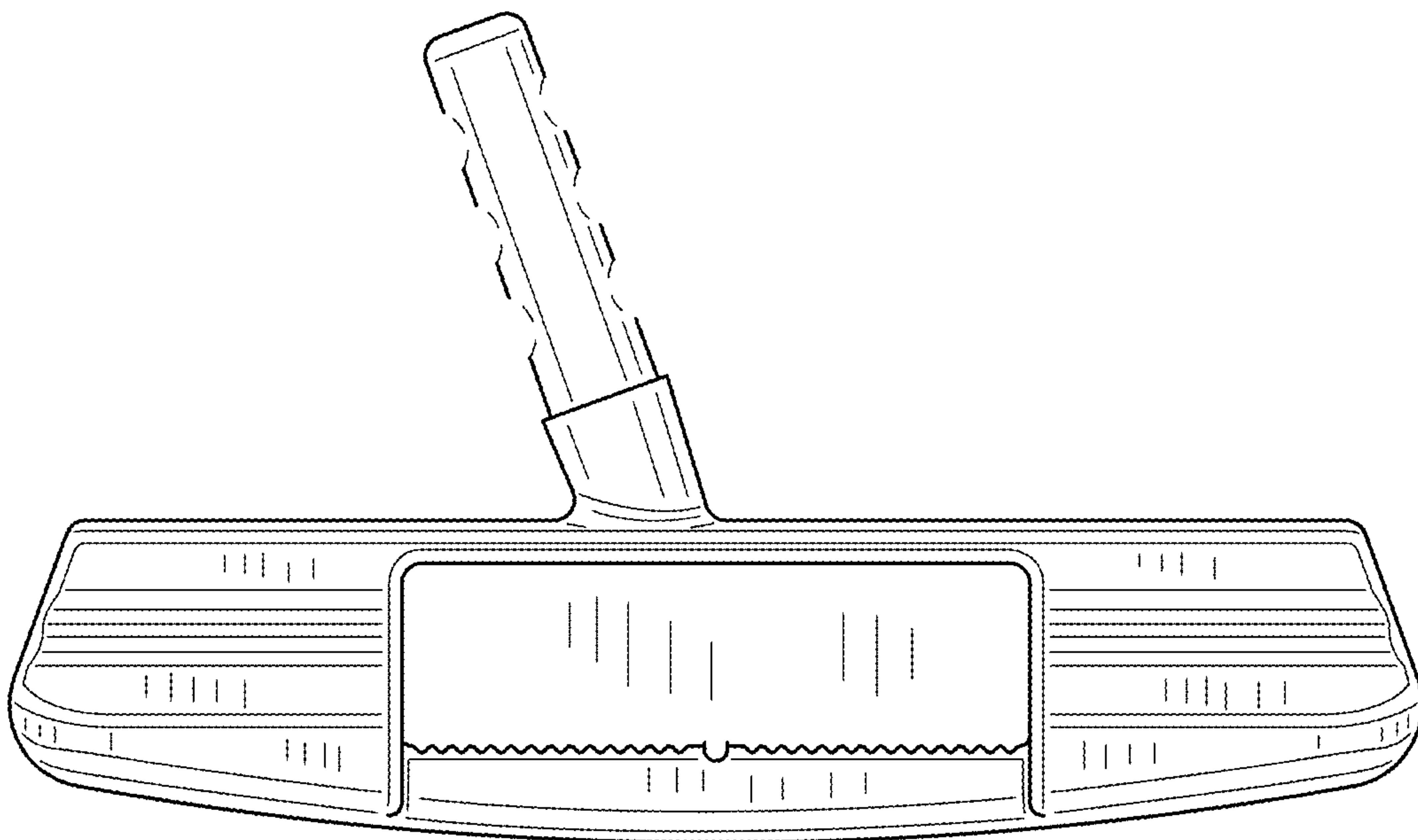


FIG.14

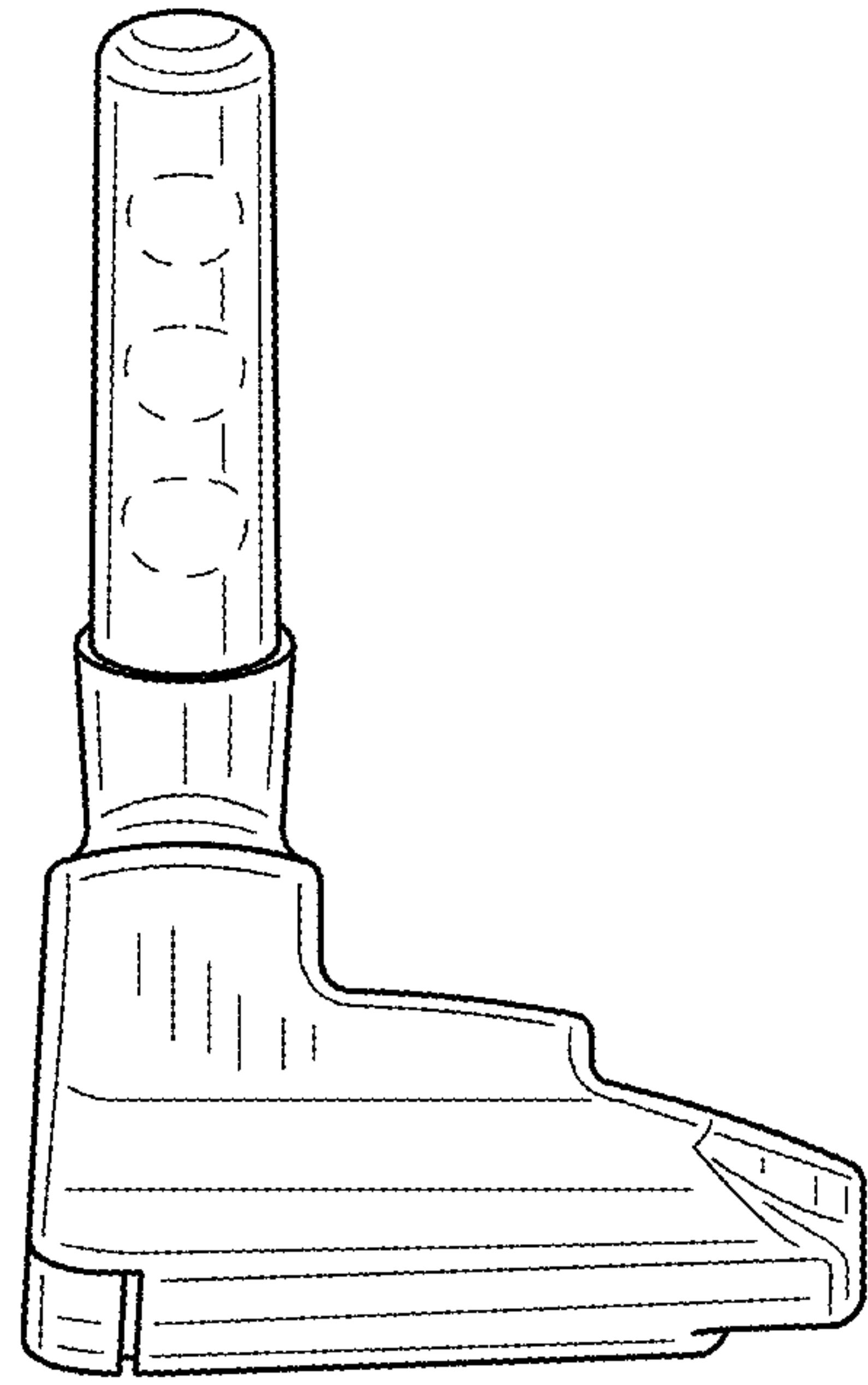


FIG. 15

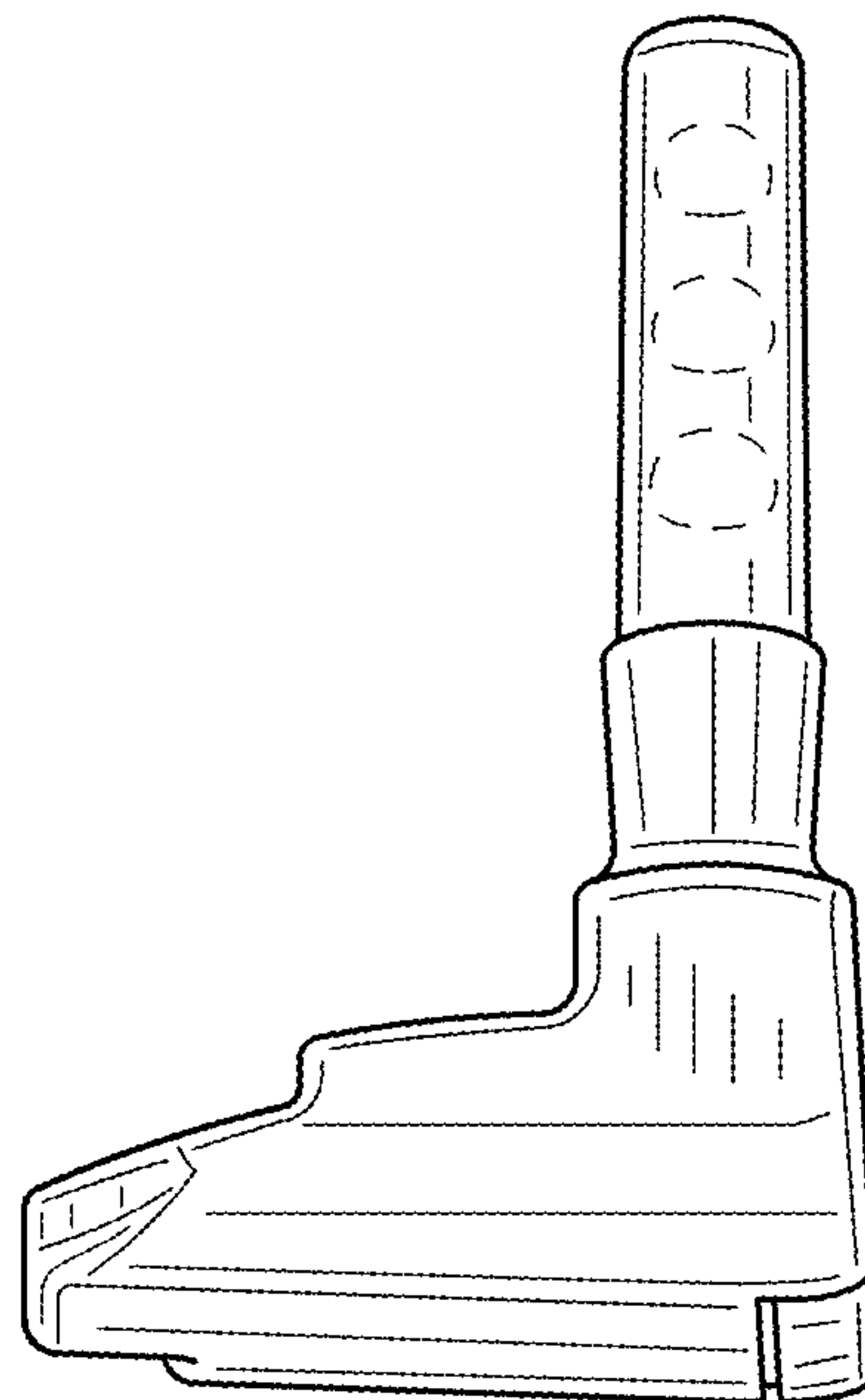


FIG. 16