



US00D847925S

(12) **United States Design Patent** (10) **Patent No.:** **US D847,925 S**  
**Park** (45) **Date of Patent:** **\*\* May 7, 2019**

(54) **GOLF PUTTER**

(71) Applicant: **Chungyeul Park**, Gyeonggi-do (KR)

(72) Inventor: **Chungyeul Park**, Gyeonggi-do (KR)

(\*\*) Term: **15 Years**

(21) Appl. No.: **29/610,205**

(22) Filed: **Jul. 10, 2017**

(30) **Foreign Application Priority Data**

Jun. 9, 2017 (KR) ..... 30-2017-0026137

(51) **LOC (11) Cl.** ..... **21-02**

(52) **U.S. Cl.**  
USPC ..... **D21/744**

(58) **Field of Classification Search**  
USPC ..... D21/736-746, 759  
CPC ..... A63B 53/00; A63B 53/04; A63B 53/007;  
A63B 53/065; A63B 53/0487; A63B  
60/00; A63B 60/46

See application file for complete search history.

(56) **References Cited**

**U.S. PATENT DOCUMENTS**

D212,890 S \* 12/1968 Rose ..... D21/739  
D350,582 S \* 9/1994 Miansian ..... D21/742  
D360,669 S \* 7/1995 Buscemi ..... D21/743  
D402,721 S \* 12/1998 Gurrola ..... D21/742  
D408,066 S \* 4/1999 Gurrola ..... D21/742

D445,860 S \* 7/2001 Mills ..... D21/736  
D445,861 S \* 7/2001 Mills ..... D21/736  
D447,197 S \* 8/2001 Mills ..... D21/736  
D455,805 S \* 4/2002 Mills ..... D21/736  
D474,253 S \* 5/2003 Mills ..... D21/736  
D474,520 S \* 5/2003 Mills ..... D21/744  
D556,277 S \* 11/2007 Broom ..... D21/743  
D569,930 S \* 5/2008 Nehrbas ..... D21/744  
D631,925 S \* 2/2011 Broom ..... D21/743  
D711,483 S \* 8/2014 Wong ..... D21/743  
D741,426 S \* 10/2015 Schweigert ..... D21/736  
D797,873 S \* 9/2017 Serrano ..... D21/743

\* cited by examiner

*Primary Examiner* — Mitchell I. Siegel

(74) *Attorney, Agent, or Firm* — Frank Rosenberg

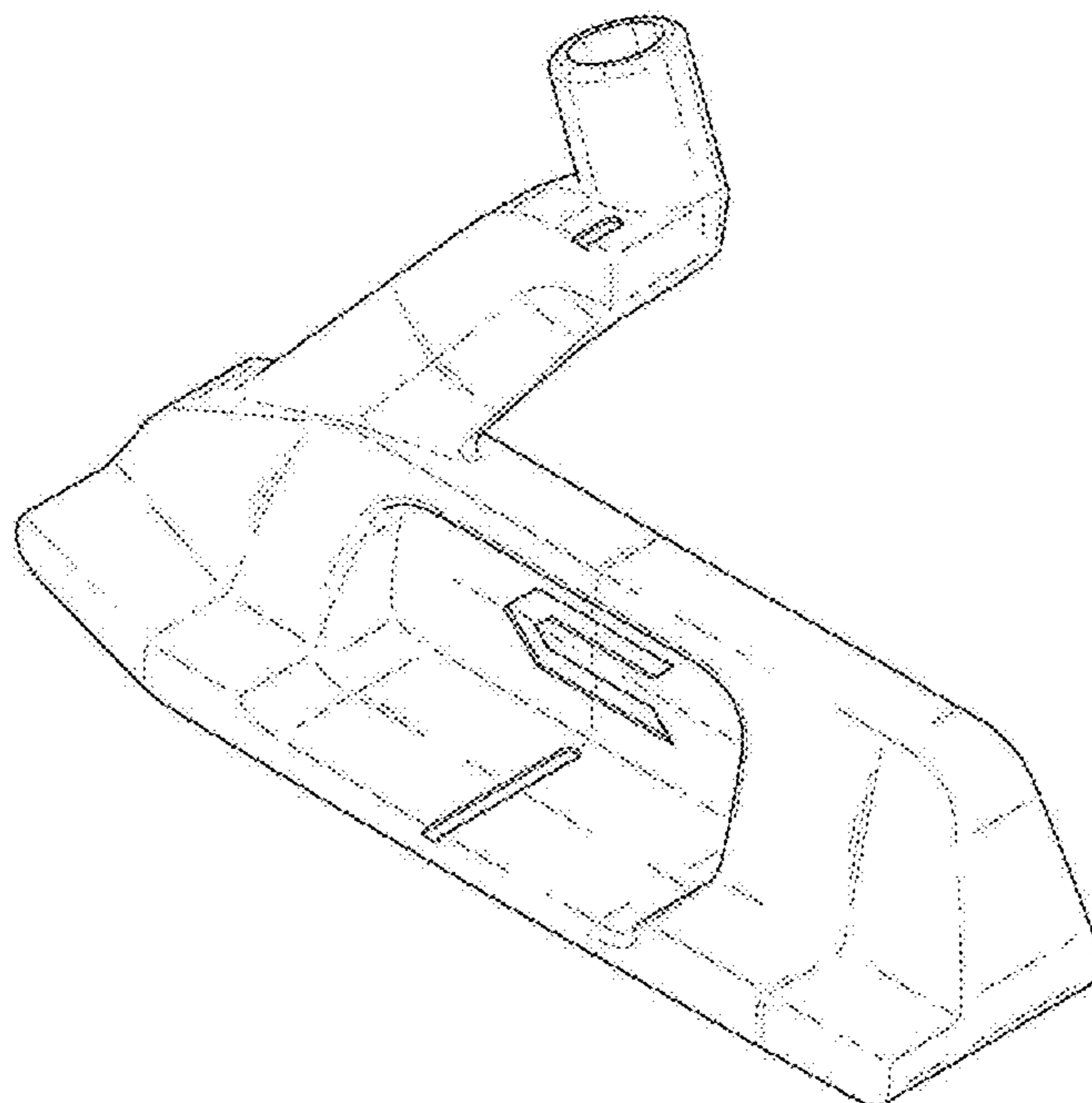
(57) **CLAIM**

I claim, the ornamental design for a golf putter, as shown and described.

**DESCRIPTION**

FIG. 1 is a perspective view of a golf putter showing my new design;  
FIG. 2 is a rear elevational view thereof,  
FIG. 3 is a front elevational view thereof,  
FIG. 4 is a left side elevational view thereof,  
FIG. 5 is a right side elevational view thereof,  
FIG. 6 is a top plan view thereof;  
FIG. 7 is a bottom plan view thereof; and,  
FIG. 8 is an enlarged elevational view taken on breakout circle 8 of FIG. 3.

**1 Claim, 8 Drawing Sheets**



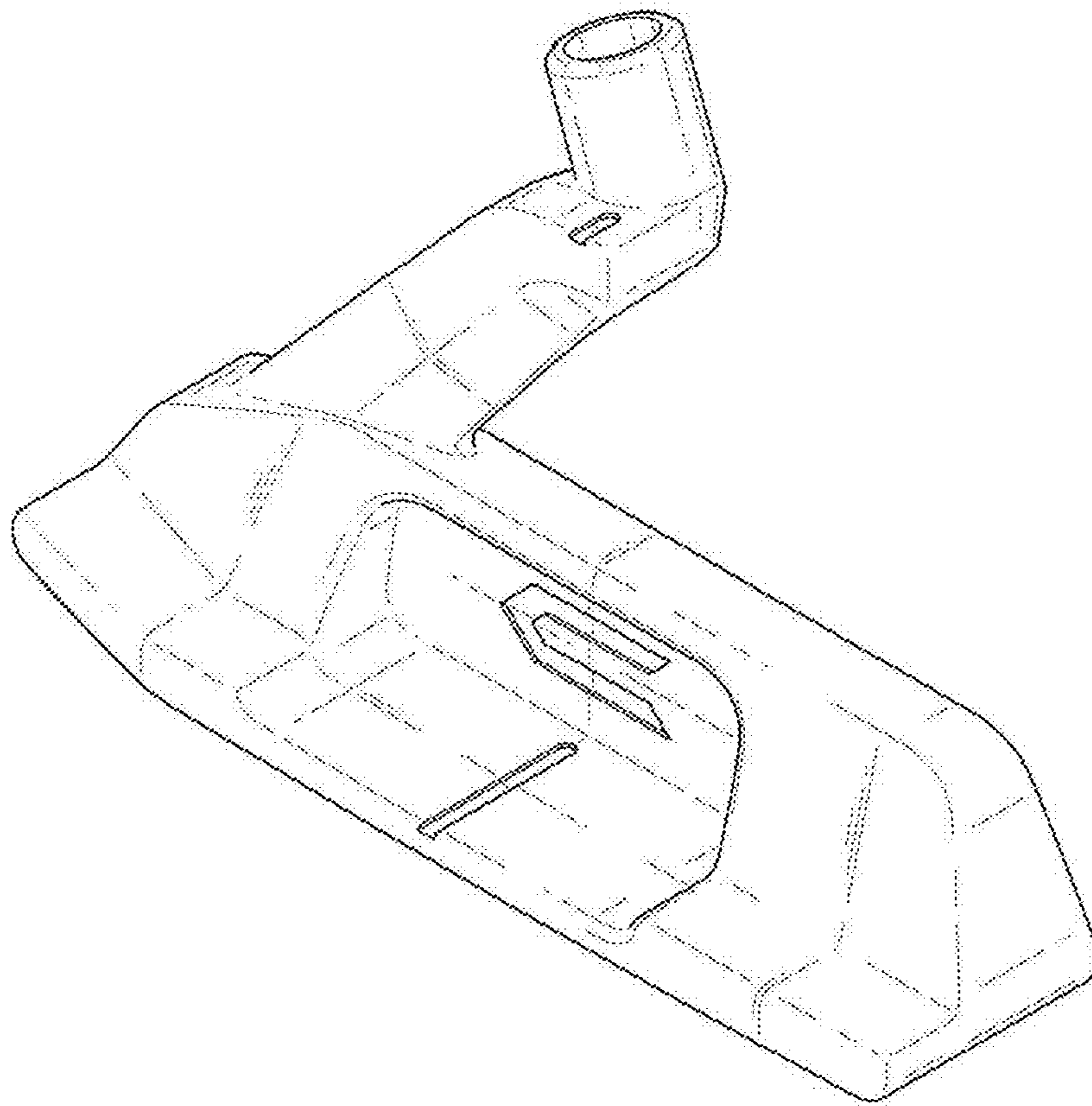


Fig. 1

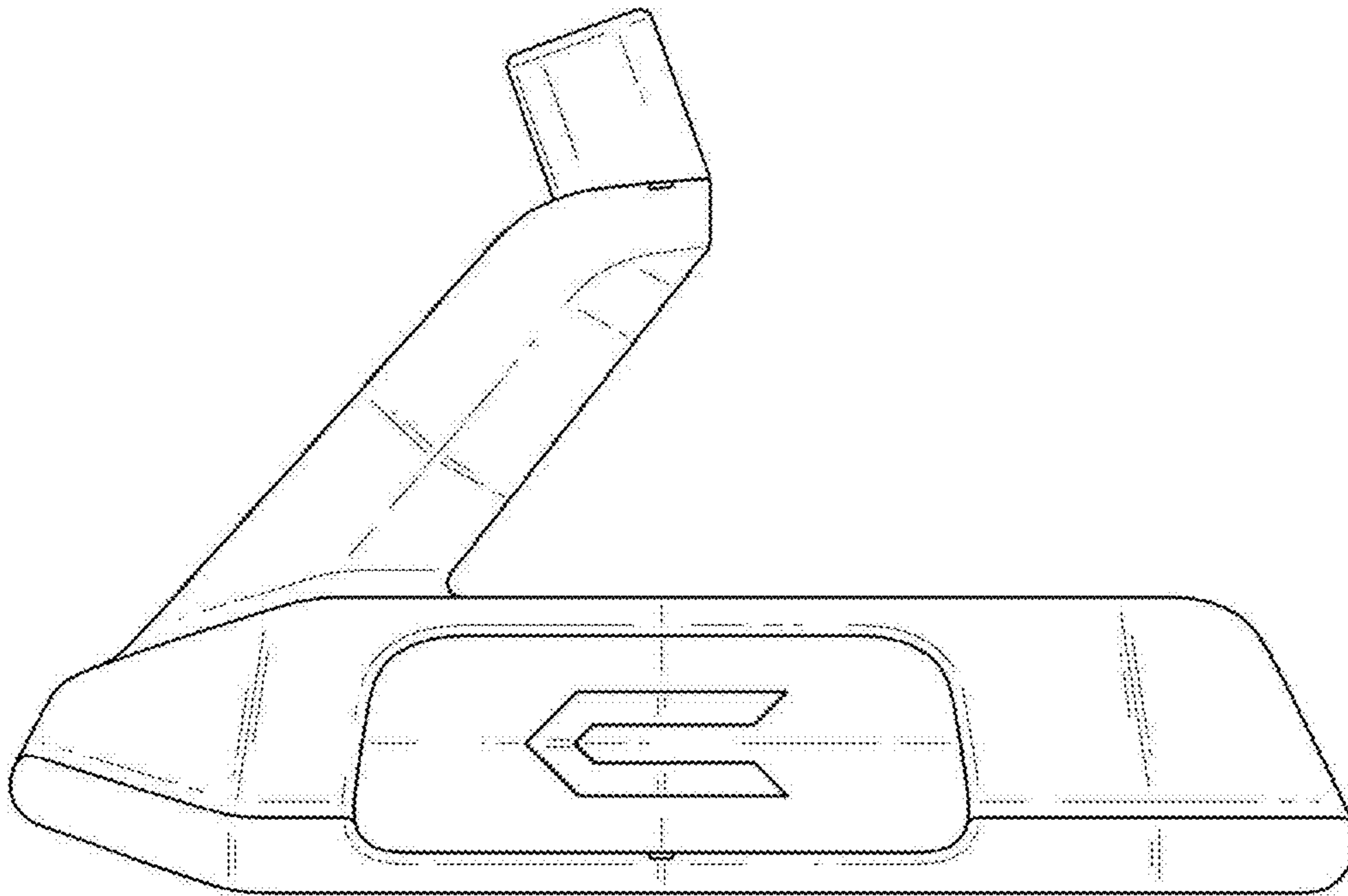


Fig. 2

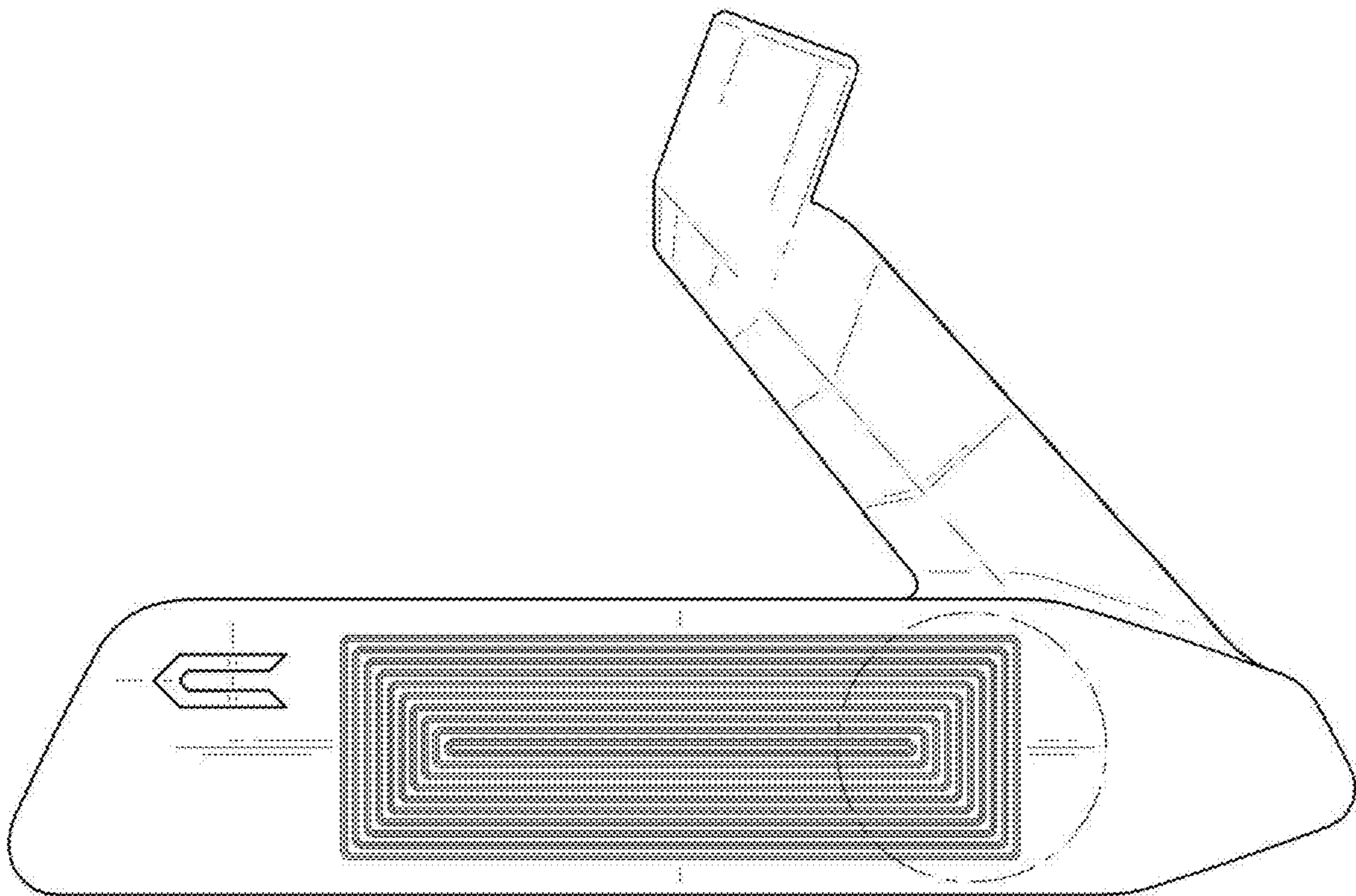


fig. 3

8

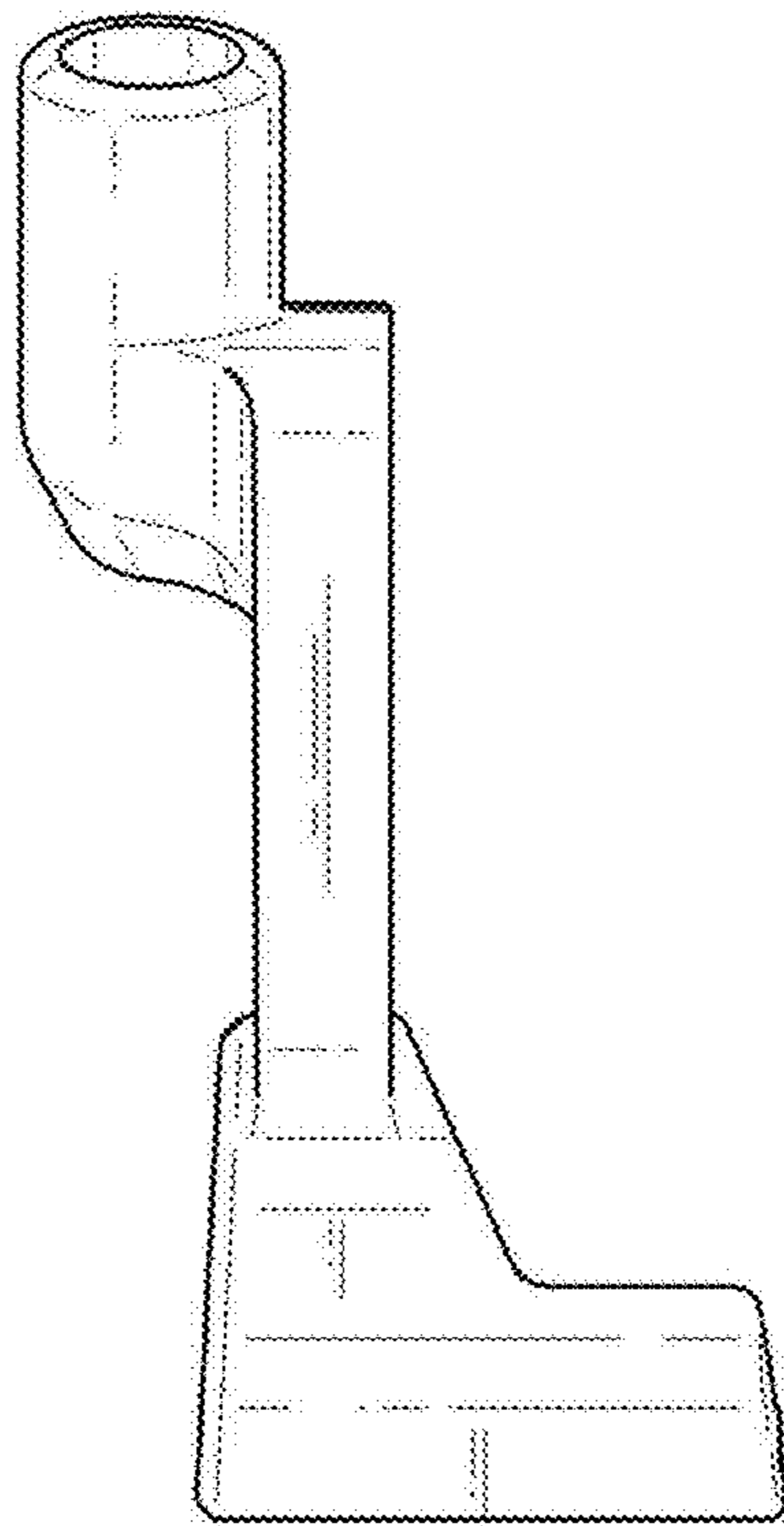


fig. 4

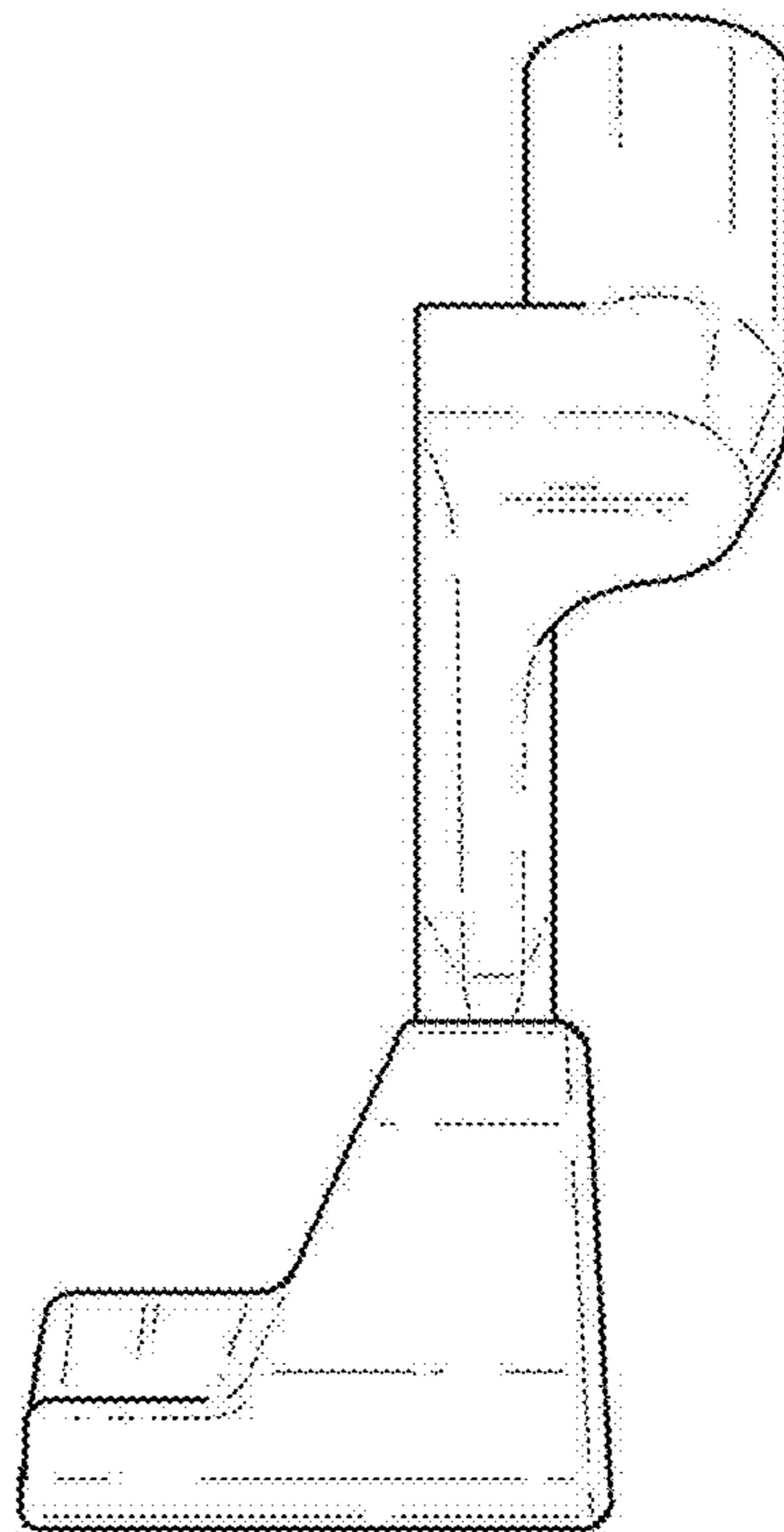


fig. 5

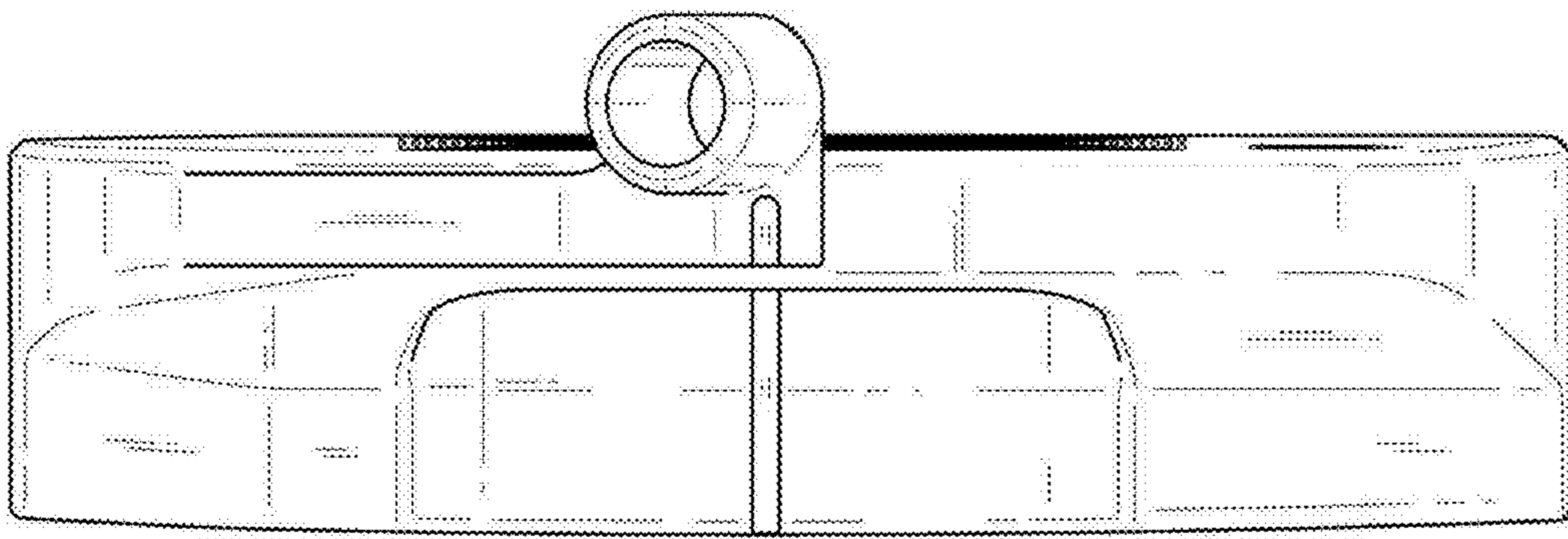


fig. 6

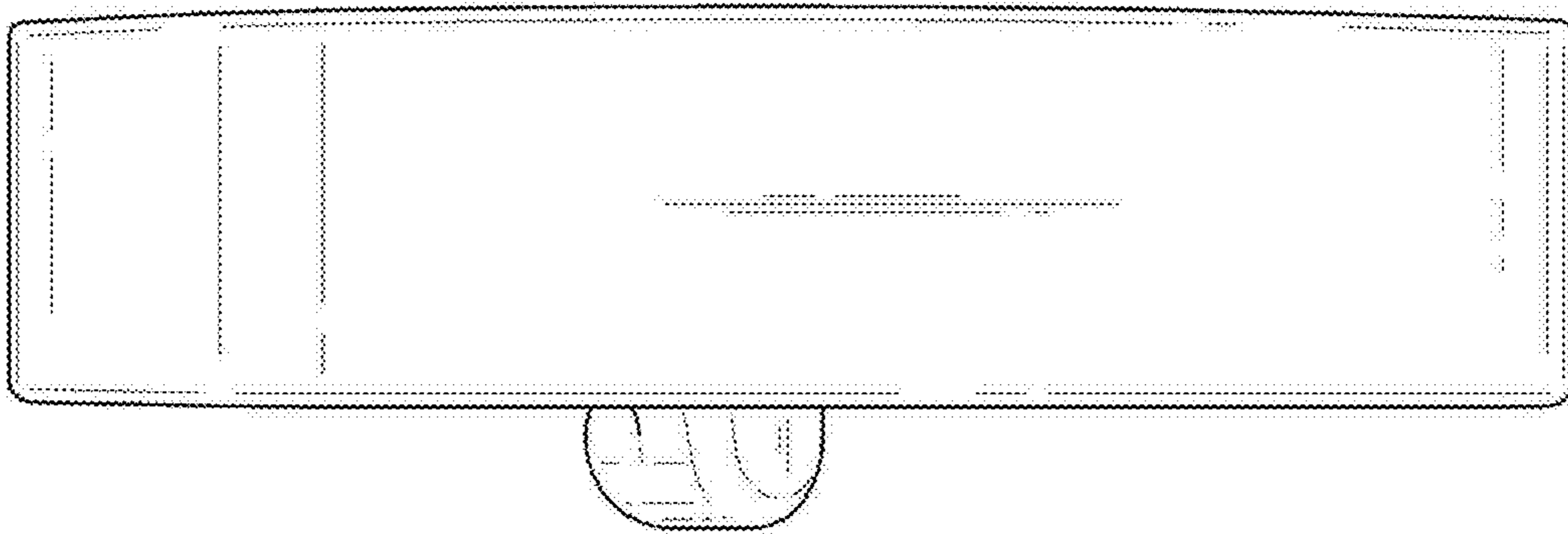


fig. 7



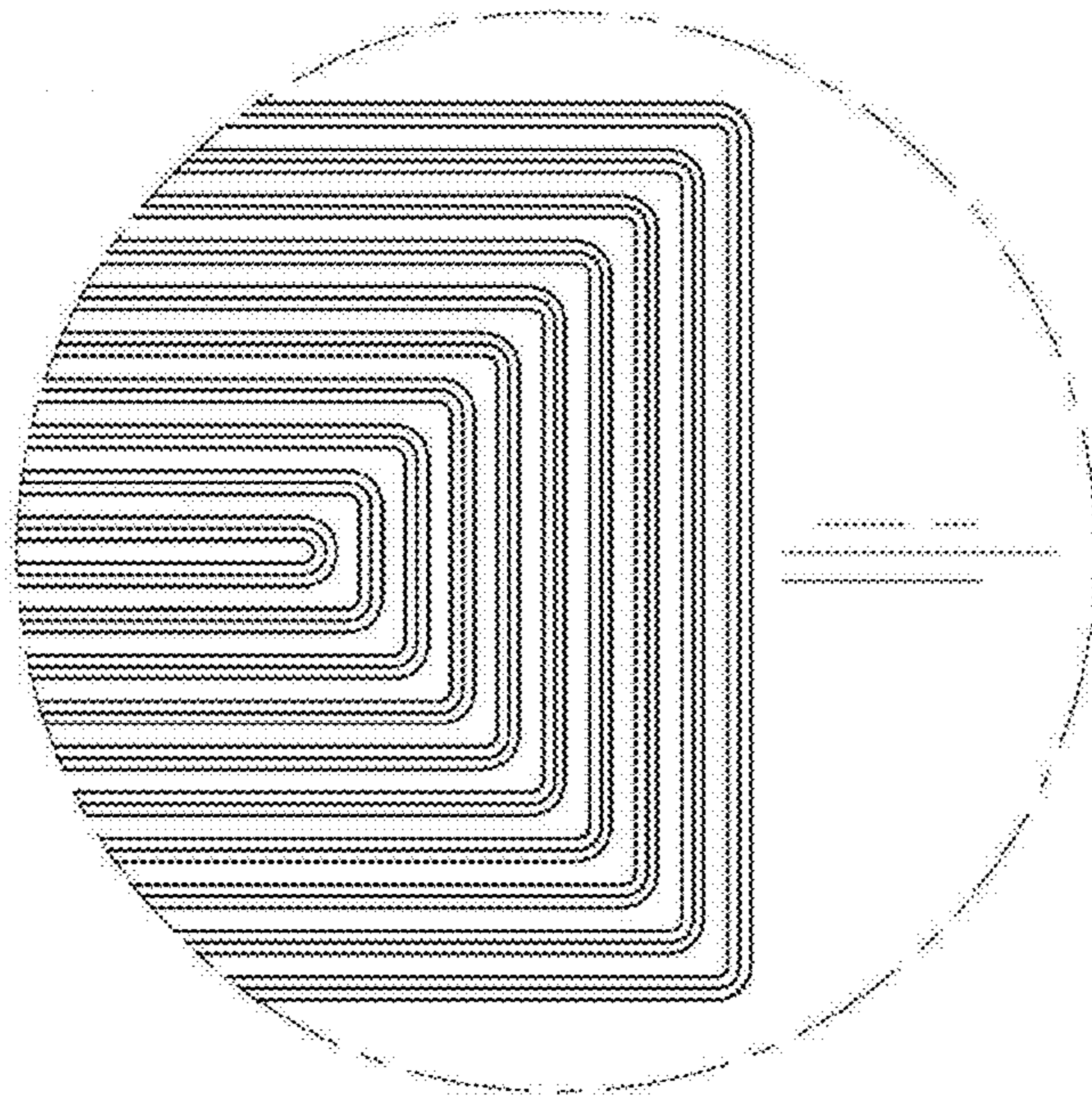


fig. 8