



US00D847924S

(12) **United States Design Patent**  
**Wang et al.**

(10) **Patent No.:** **US D847,924 S**

(45) **Date of Patent:** **\*\* May 7, 2019**

(54) **GOLF CLUB HEAD**

(71) Applicant: **Karsten Manufacturing Corporation,**  
Phoenix, AZ (US)

(72) Inventors: **Calvin S. Wang,** Chandler, AZ (US);  
**David A. Higdon,** Cave Creek, AZ  
(US)

(73) Assignee: **Karsten Manufacturing Corporation,**  
Phoenix, AZ (US)

(\*\*) Term: **15 Years**

(21) Appl. No.: **29/626,247**

(22) Filed: **Nov. 15, 2017**

(51) **LOC (11) Cl.** ..... **21-02**

(52) **U.S. Cl.**

USPC ..... **D21/743**

(58) **Field of Classification Search**

USPC ..... D21/736-746, 759

CPC ..... A63B 53/00; A63B 53/04; A63B 53/007;

A63B 53/065; A63B 53/0487; A63B

60/00; A63B 60/46

See application file for complete search history.

(56) **References Cited**

**U.S. PATENT DOCUMENTS**

D212,890 S	12/1968	Rose	
D255,373 S *	6/1980	Solheim	D21/743
D303,276 S	9/1989	Oakleaf	
D341,405 S *	11/1993	Solheim	D21/743
D349,142 S *	7/1994	Boone	D21/743
D350,581 S *	9/1994	Boone	D21/743
D396,081 S	7/1998	Sheets	
D402,343 S	12/1998	Helmstetter et al.	
D428,457 S	7/2000	Rollinson et al.	
6,273,831 B1	8/2001	Dewanjee	
6,558,268 B2 *	5/2003	Tindale	A63B 53/0487 473/244

6,902,496 B2	6/2005	Solheim	
D527,777 S	9/2006	Solheim	
D532,847 S	11/2006	Rollinson	
7,255,650 B2	8/2007	Bryant	
D569,462 S	5/2008	Rollinson	
D574,910 S *	8/2008	Jones	D21/743
D581,473 S	11/2008	Thomas	

(Continued)

*Primary Examiner* — Mitchell I. Siegel

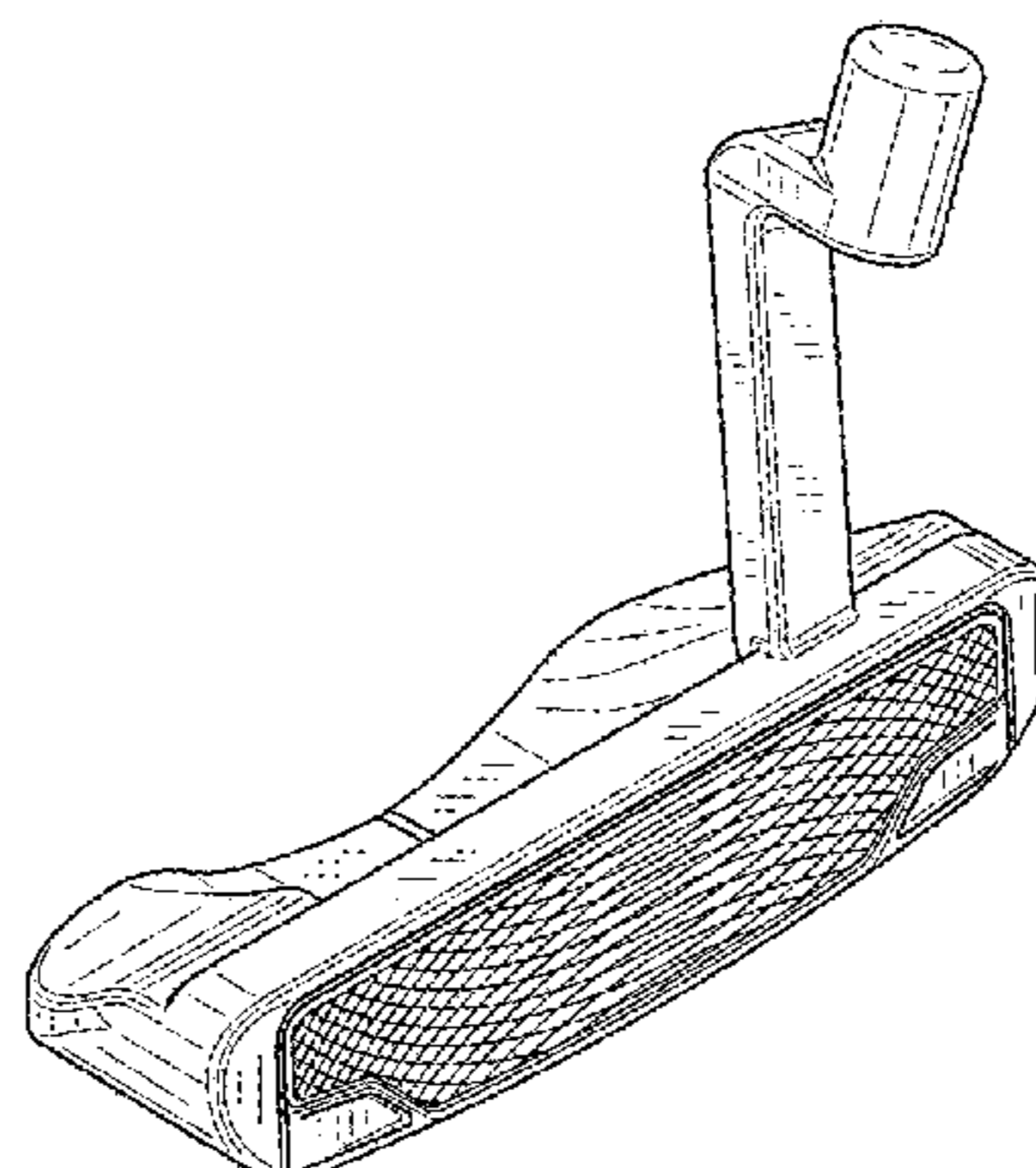
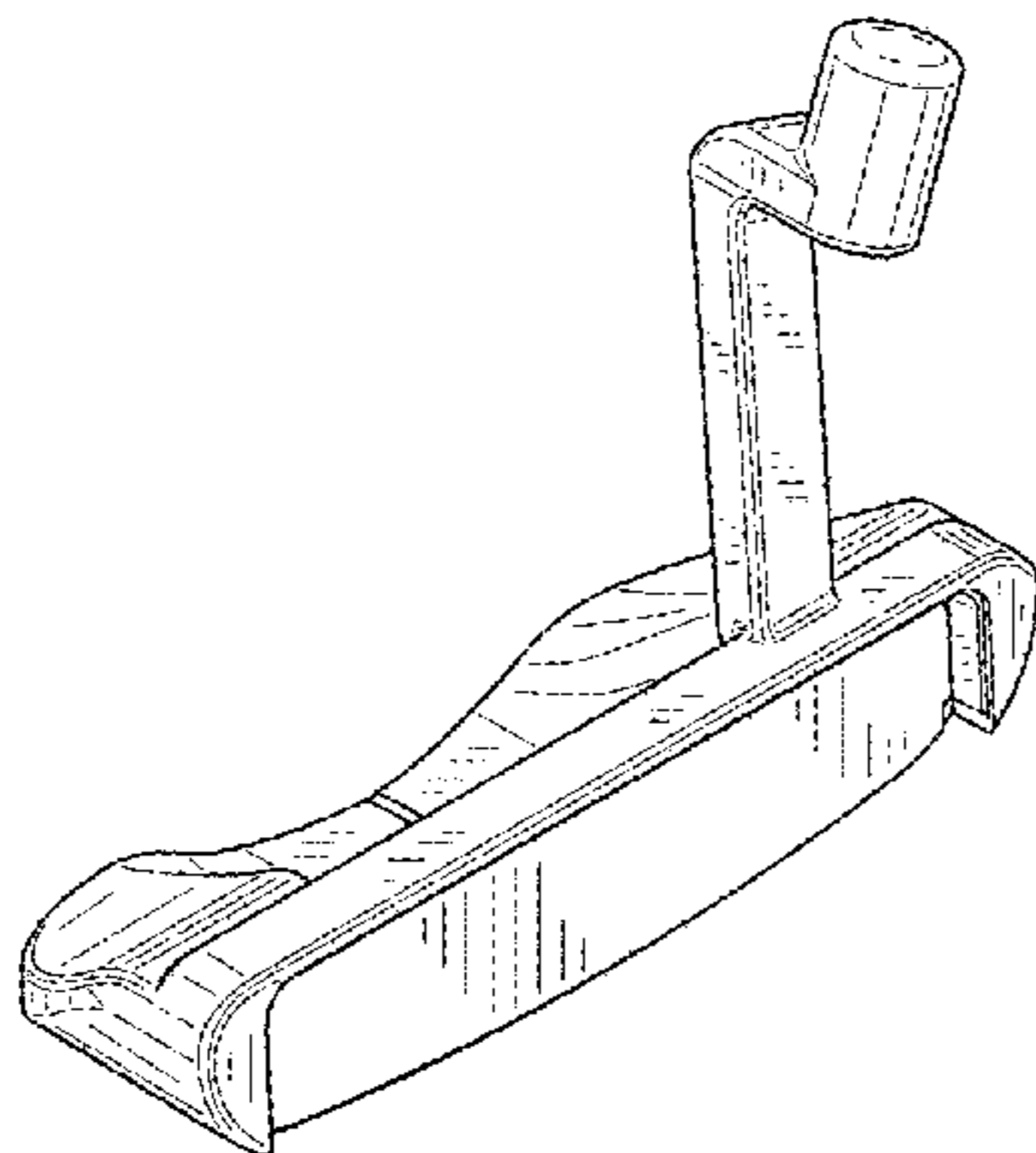
(57) **CLAIM**

The ornamental design for a golf club head, as shown and described.

**DESCRIPTION**

FIG. 1 is a top perspective view of a golf club head;  
 FIG. 2 is a bottom perspective view of the golf club head of FIG. 1;  
 FIG. 3 is a top view of the golf club head of FIG. 1;  
 FIG. 4 is a bottom view of the golf club head of FIG. 1;  
 FIG. 5 is a front view of the golf club head of FIG. 1;  
 FIG. 6 is a rear view of the golf club head of FIG. 1;  
 FIG. 7 is a heel side view of the golf club head of FIG. 1;  
 FIG. 8 is a toe side view of the golf club head of FIG. 1;  
 FIG. 9 is a top perspective view of another embodiment of a golf club head;  
 FIG. 10 is a bottom perspective view of the golf club head of FIG. 9;  
 FIG. 11 is a top view of the golf club head of FIG. 9;  
 FIG. 12 is a bottom view of the golf club head of FIG. 9;  
 FIG. 13 is a front view of the golf club head of FIG. 9;  
 FIG. 14 is a rear view of the golf club head of FIG. 9;  
 FIG. 15 is a heel side view of the golf club head of FIG. 9;  
 and,  
 FIG. 16 is a toe side view of the golf club head of FIG. 9.  
 The broken line showing on the hosel of the golf club head is included for the purpose of illustrating unclaimed subject matter and forms no part of the claimed design.

**1 Claim, 8 Drawing Sheets**



(56)

**References Cited**

U.S. PATENT DOCUMENTS

D595,372 S	6/2009	Rollinson	
D599,869 S *	9/2009	Serrano .....	D21/736
D604,782 S	11/2009	Franklin	
D624,978 S *	10/2010	Rollinson .....	D21/743
D635,625 S	4/2011	Rollinson	
D640,341 S	6/2011	Foster et al.	
7,959,520 B2	6/2011	Campadore et al.	
D641,441 S *	7/2011	Hilton .....	D21/743
D644,703 S	9/2011	Serrano et al.	
D720,022 S	12/2014	Rollinson	
D720,023 S	12/2014	Rollinson	
D759,172 S *	6/2016	Rollinson .....	D21/743
D759,173 S	6/2016	Rollinson	
D769,996 S	10/2016	Abbott et al.	
D796,599 S *	9/2017	Serrano .....	D21/743
D827,743 S *	9/2018	Chen .....	D21/743

\* cited by examiner

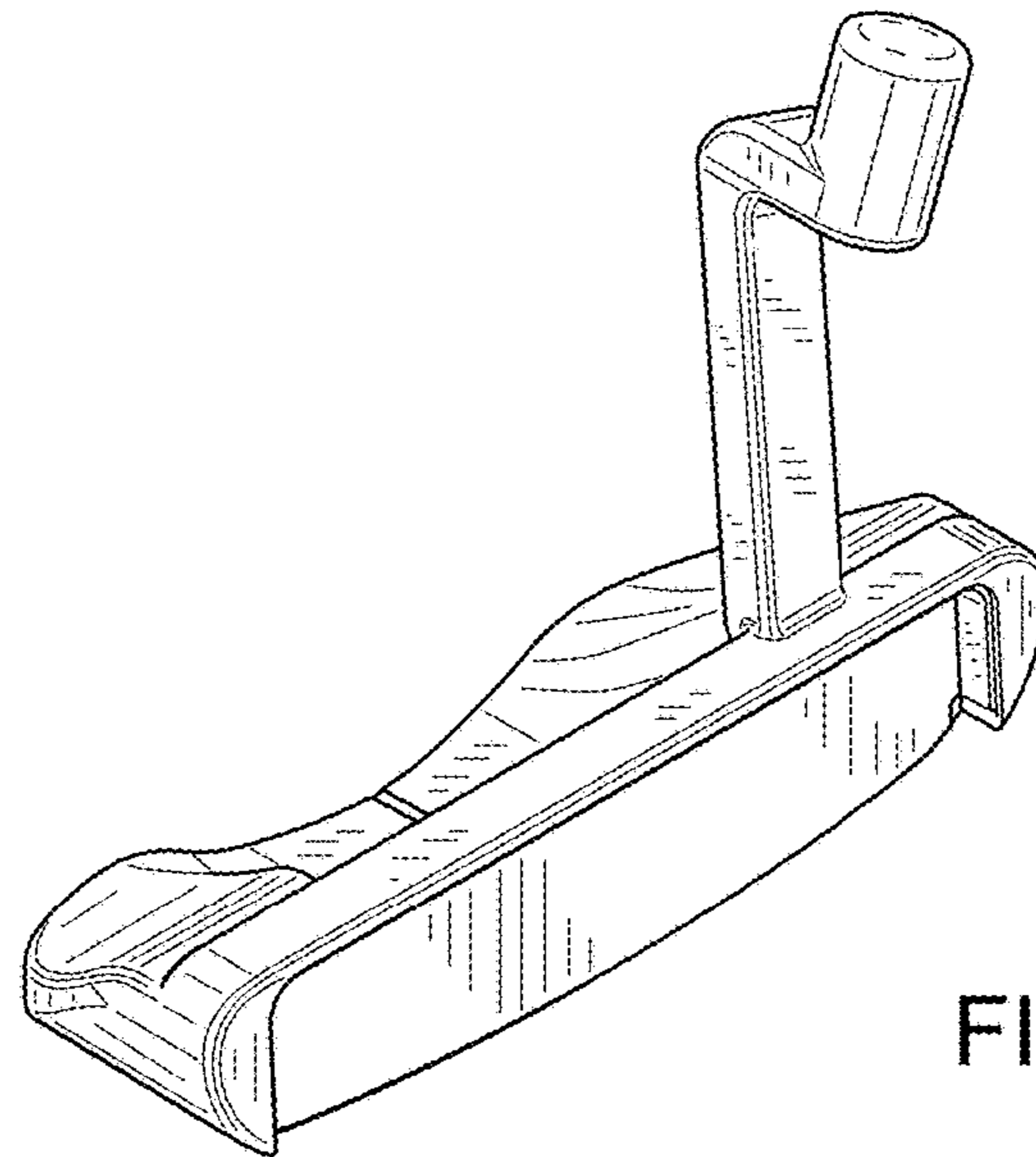


FIG. 1

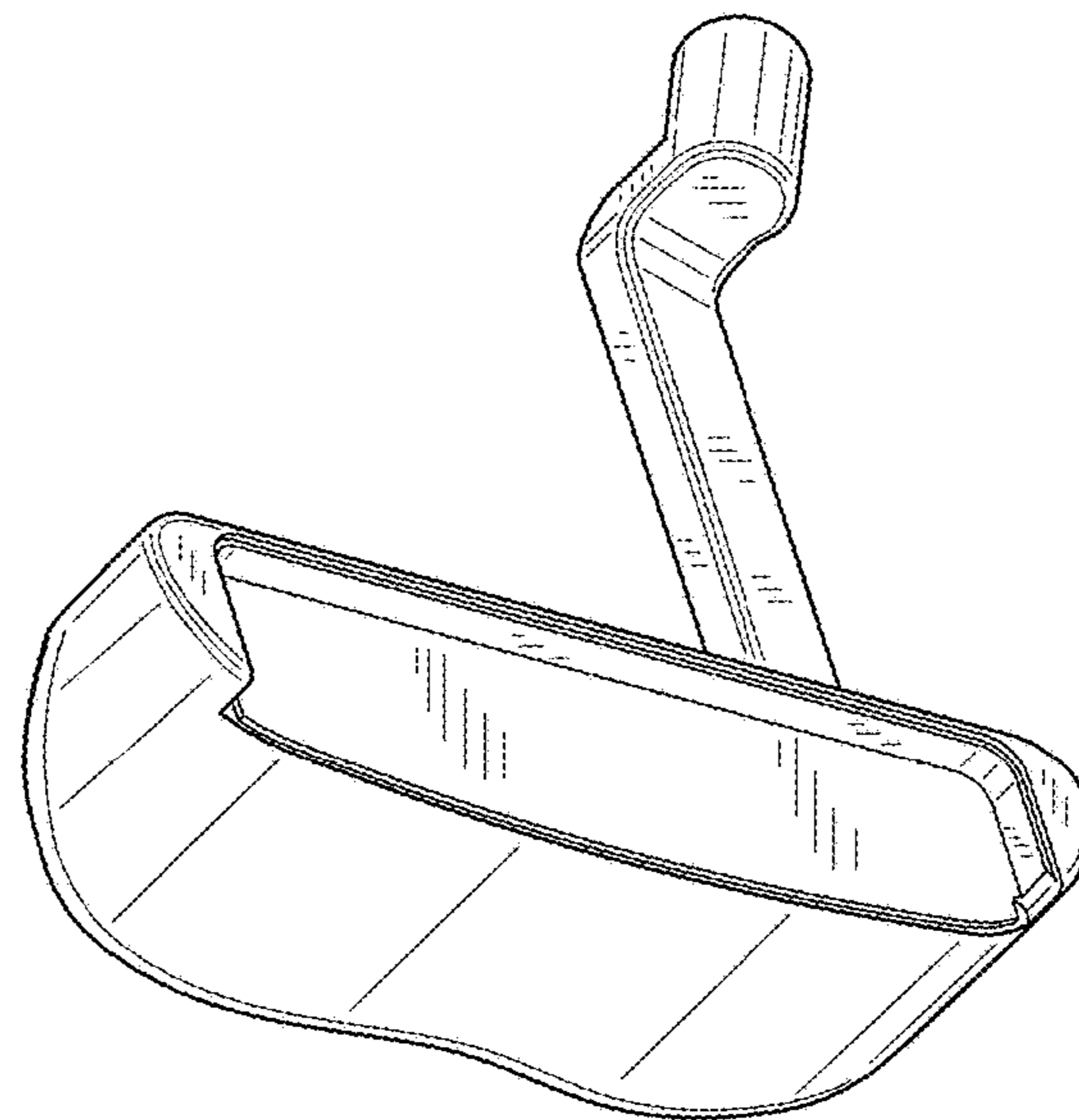


FIG. 2

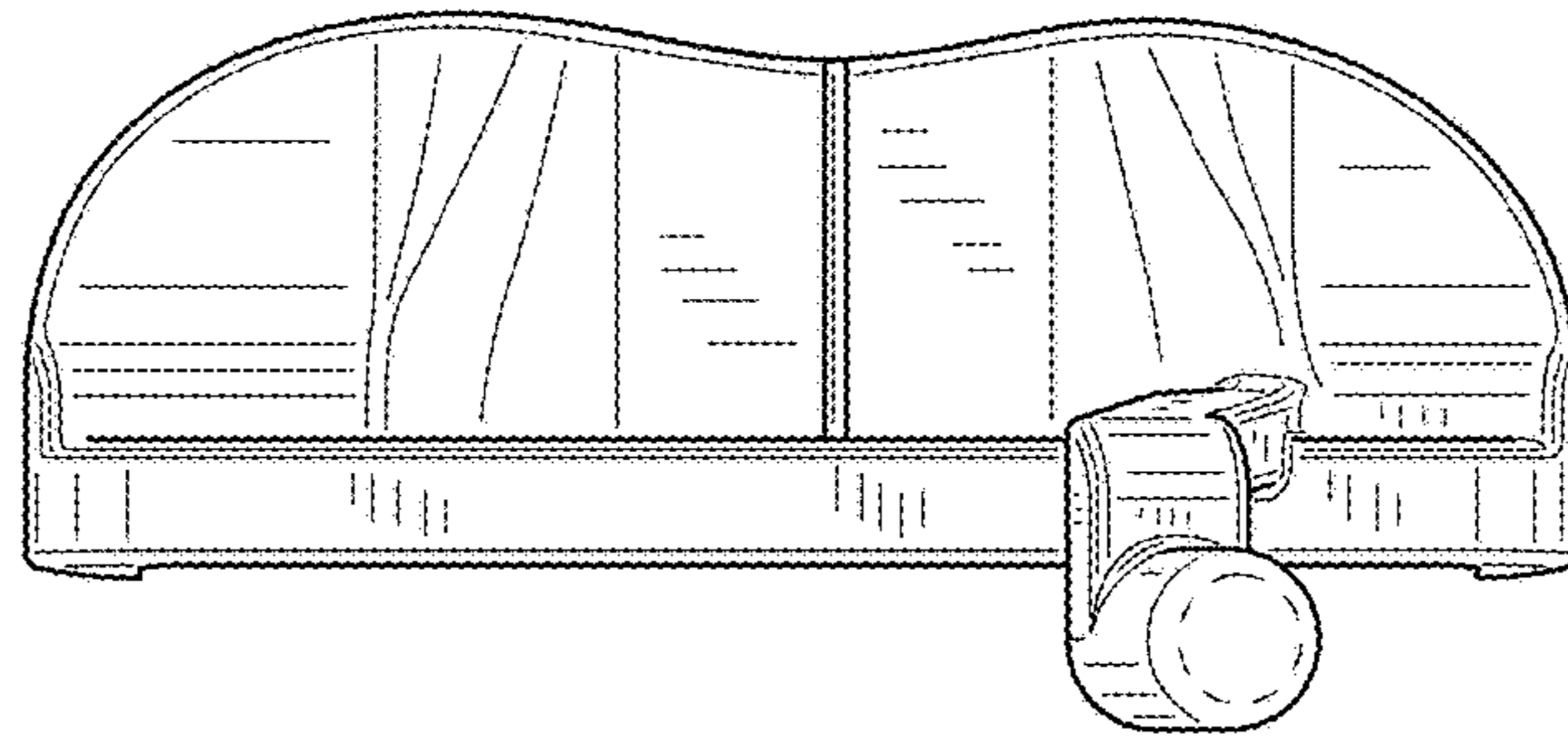


FIG.3

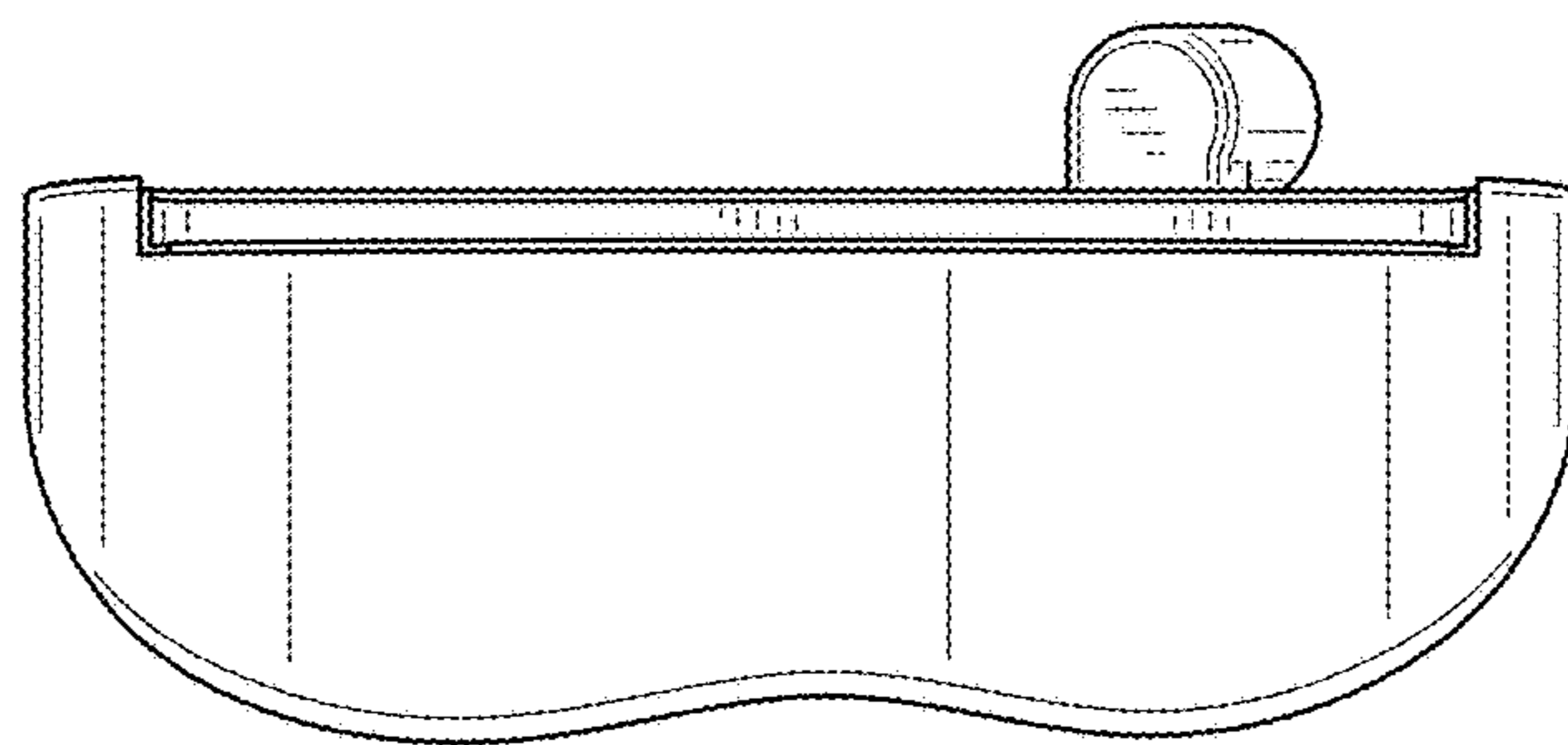


FIG.4

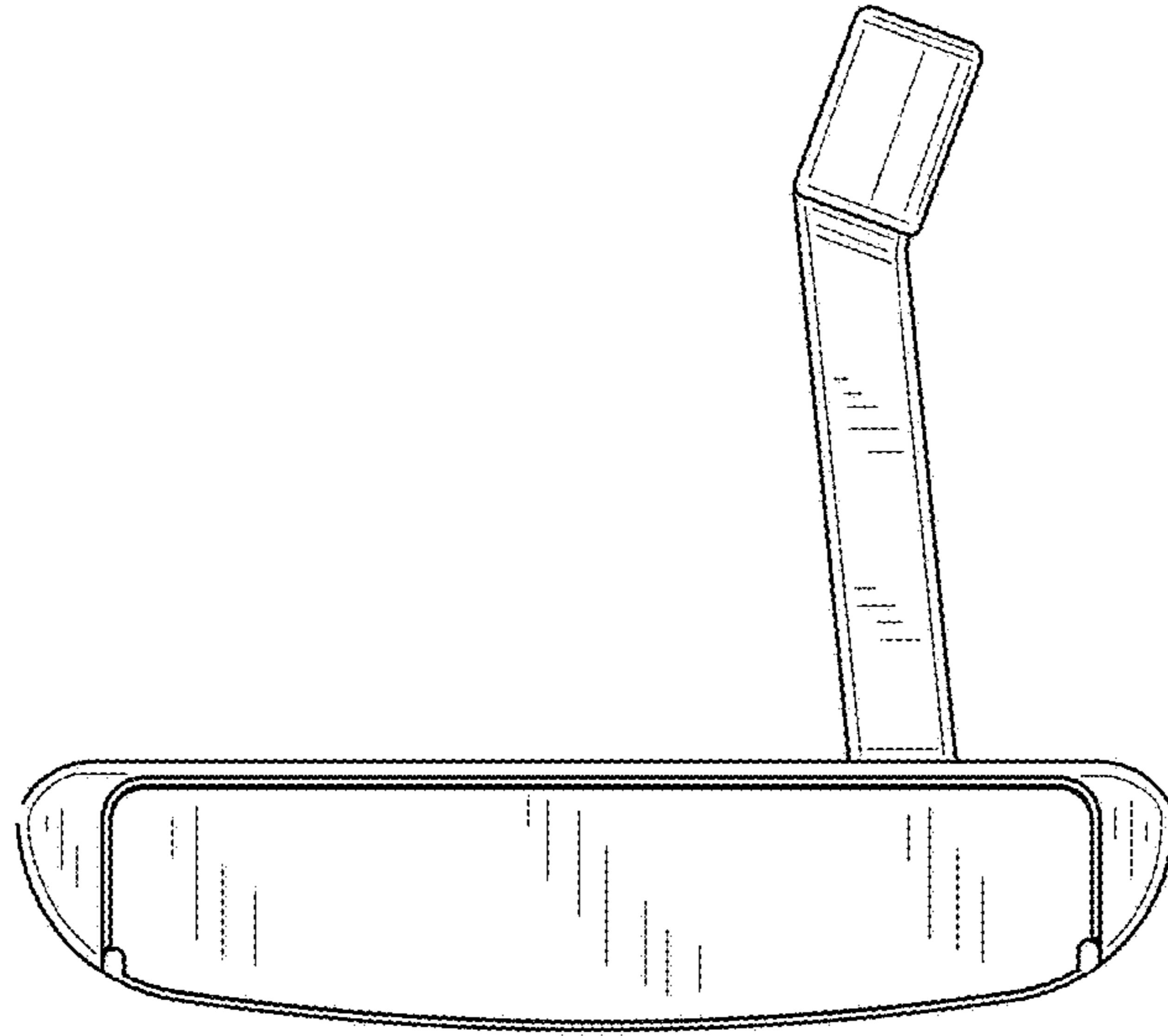


FIG.5

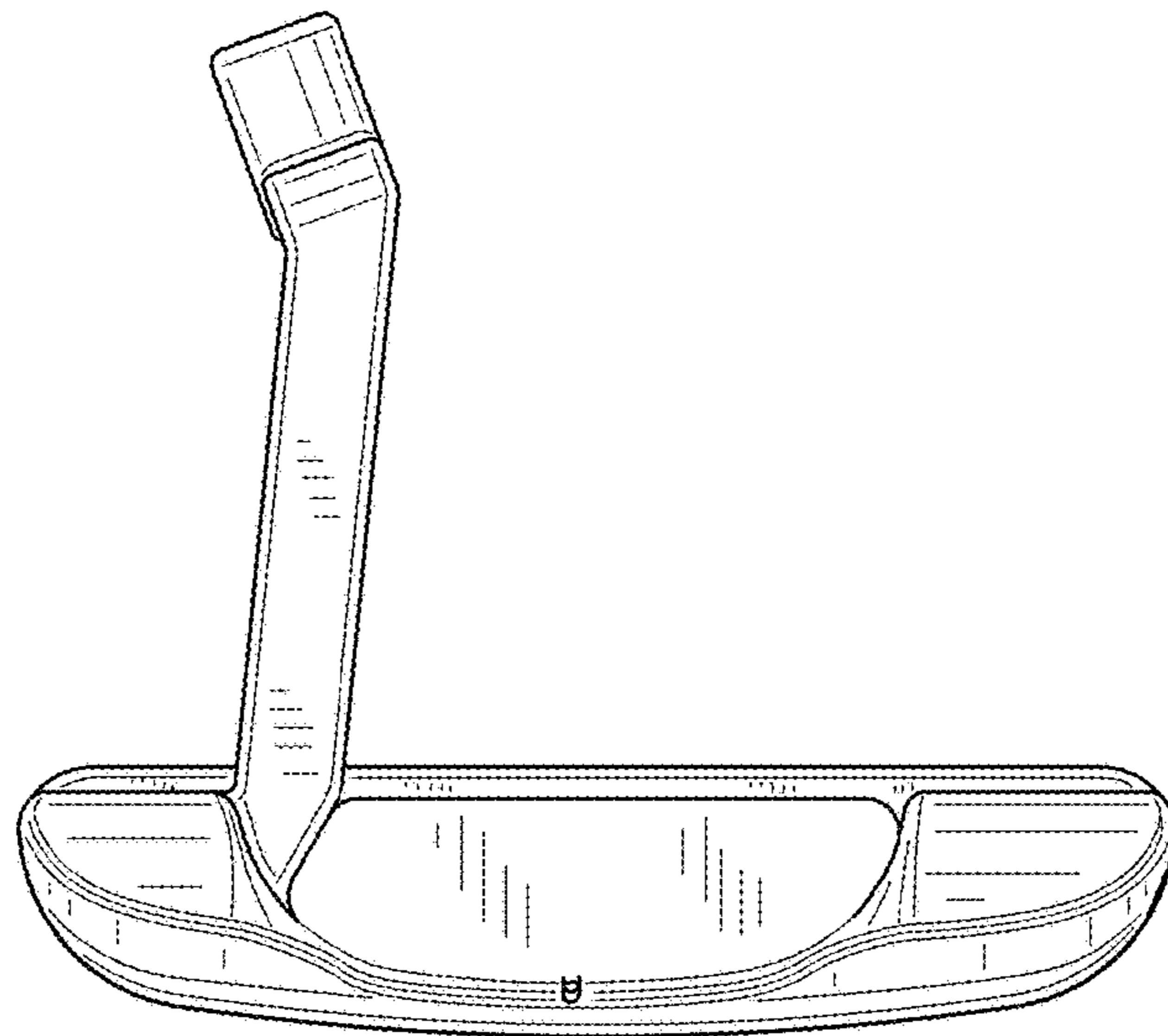


FIG.6

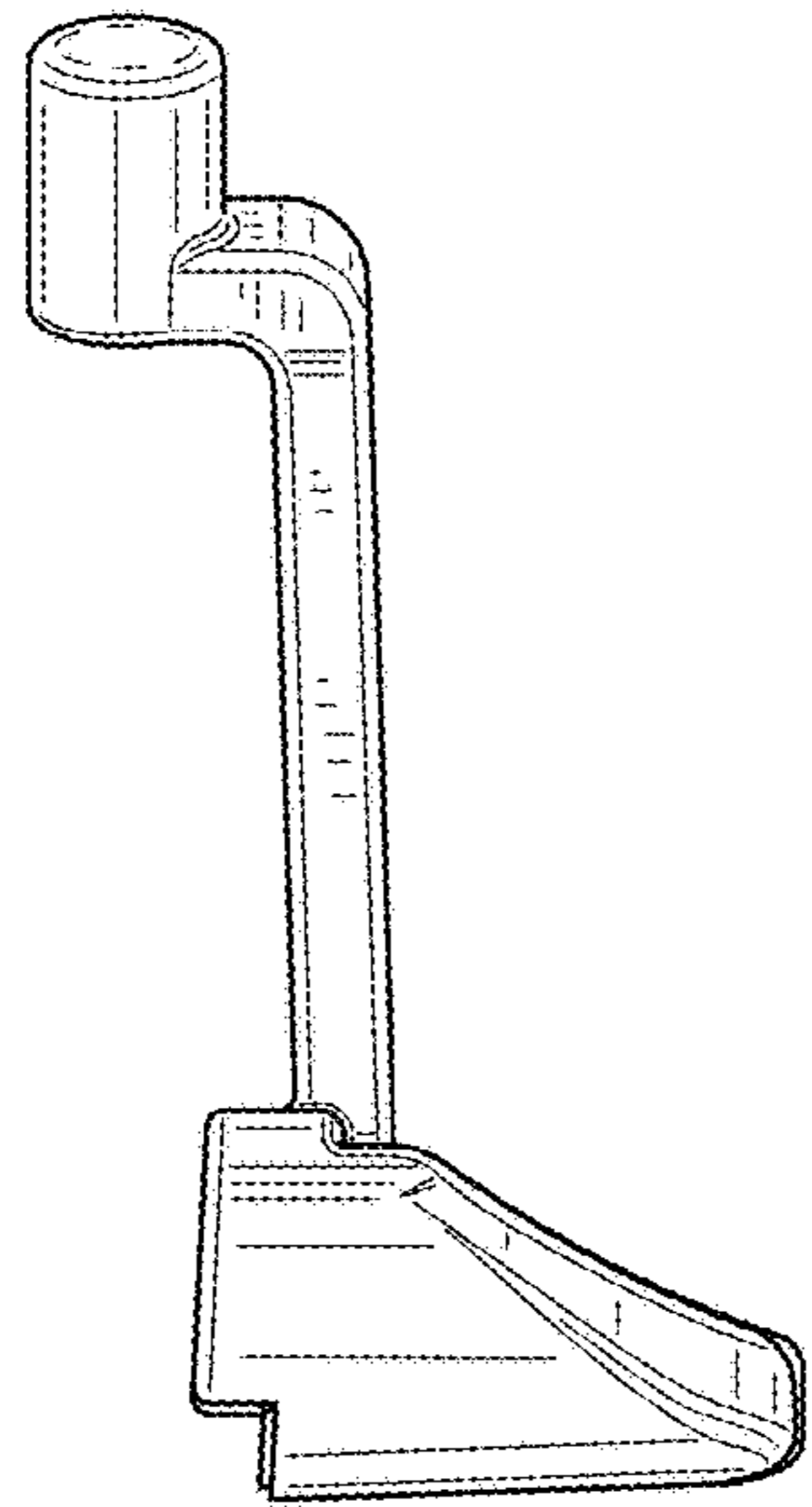


FIG. 7

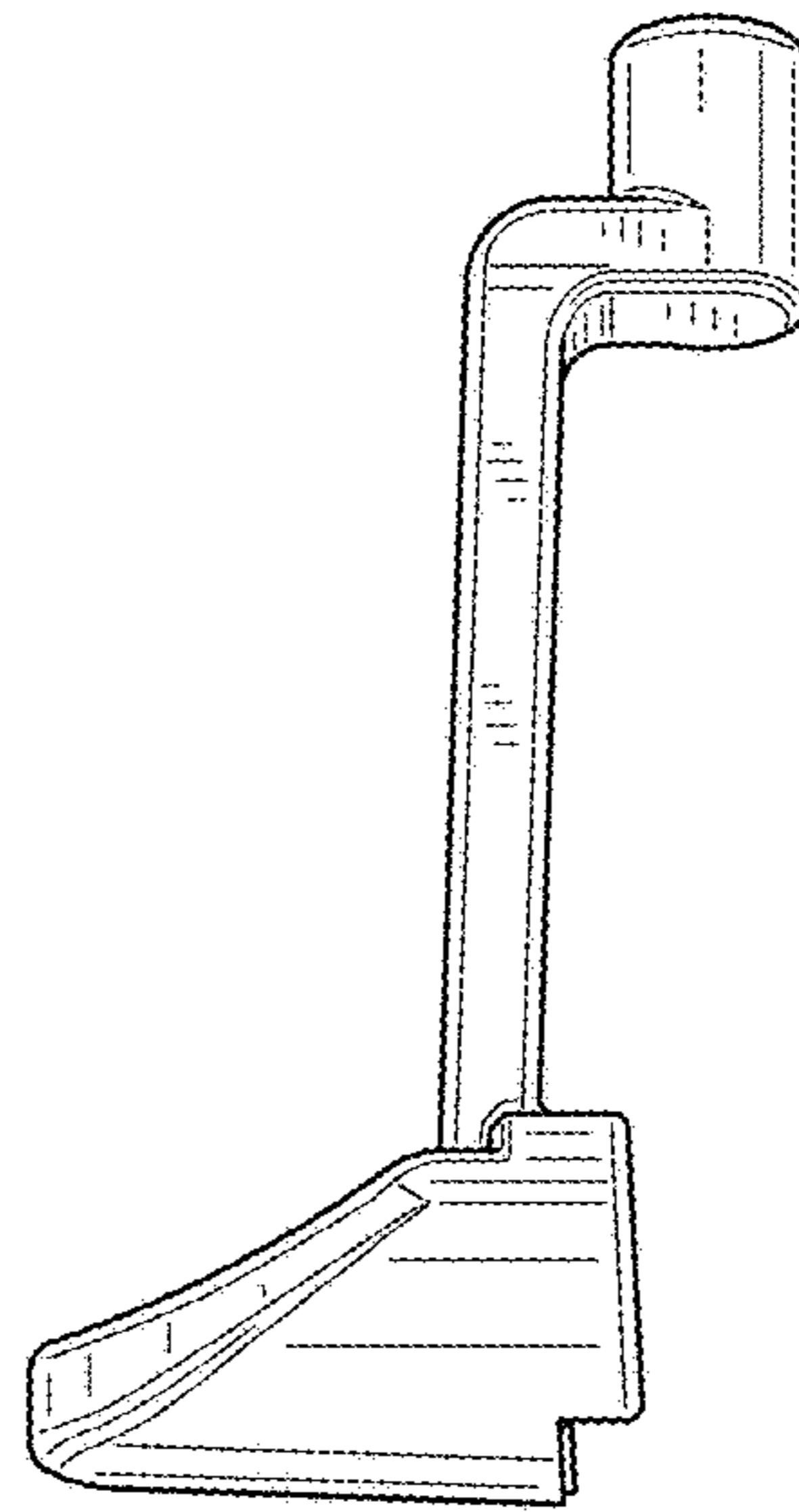


FIG. 8



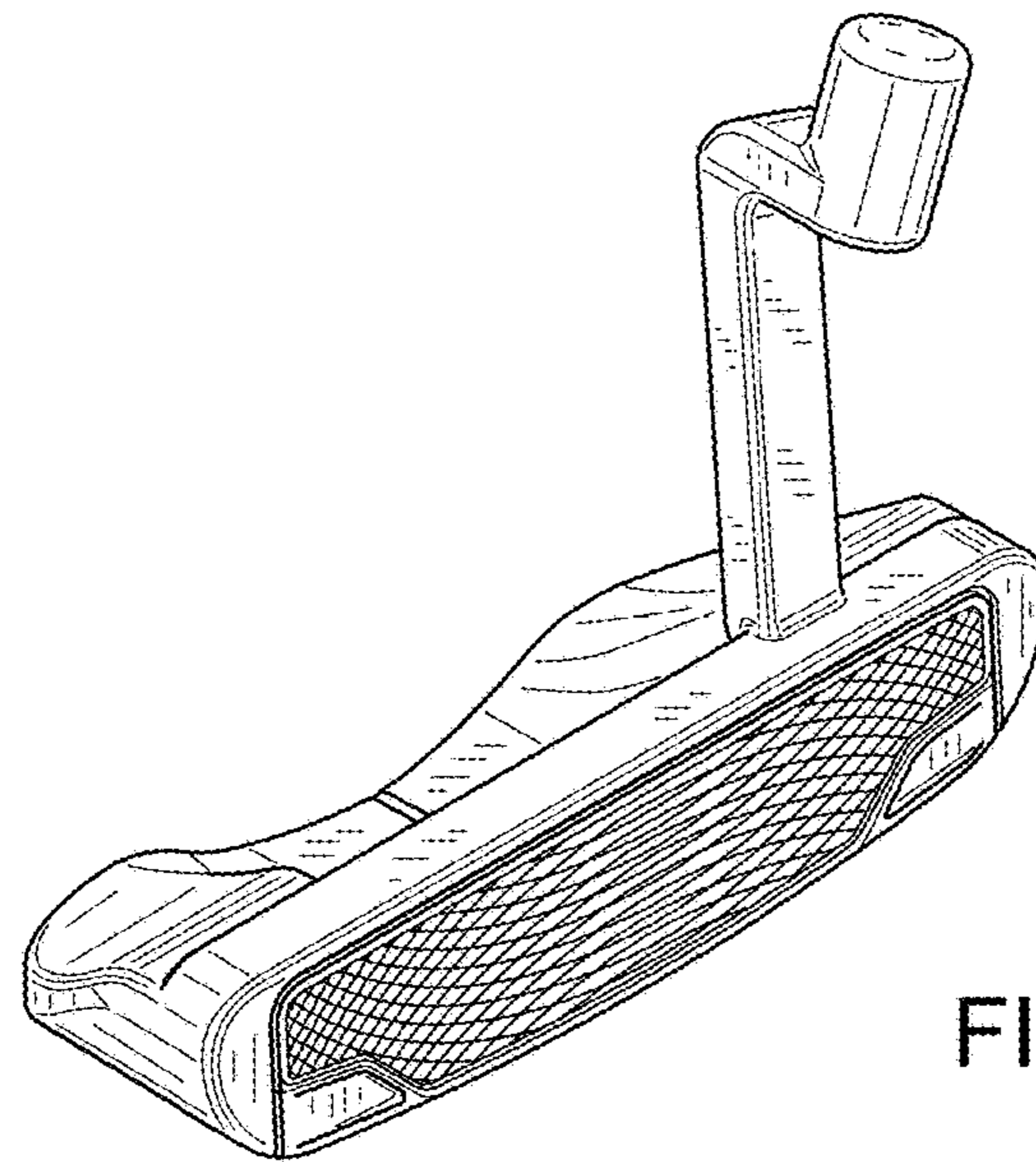


FIG. 9

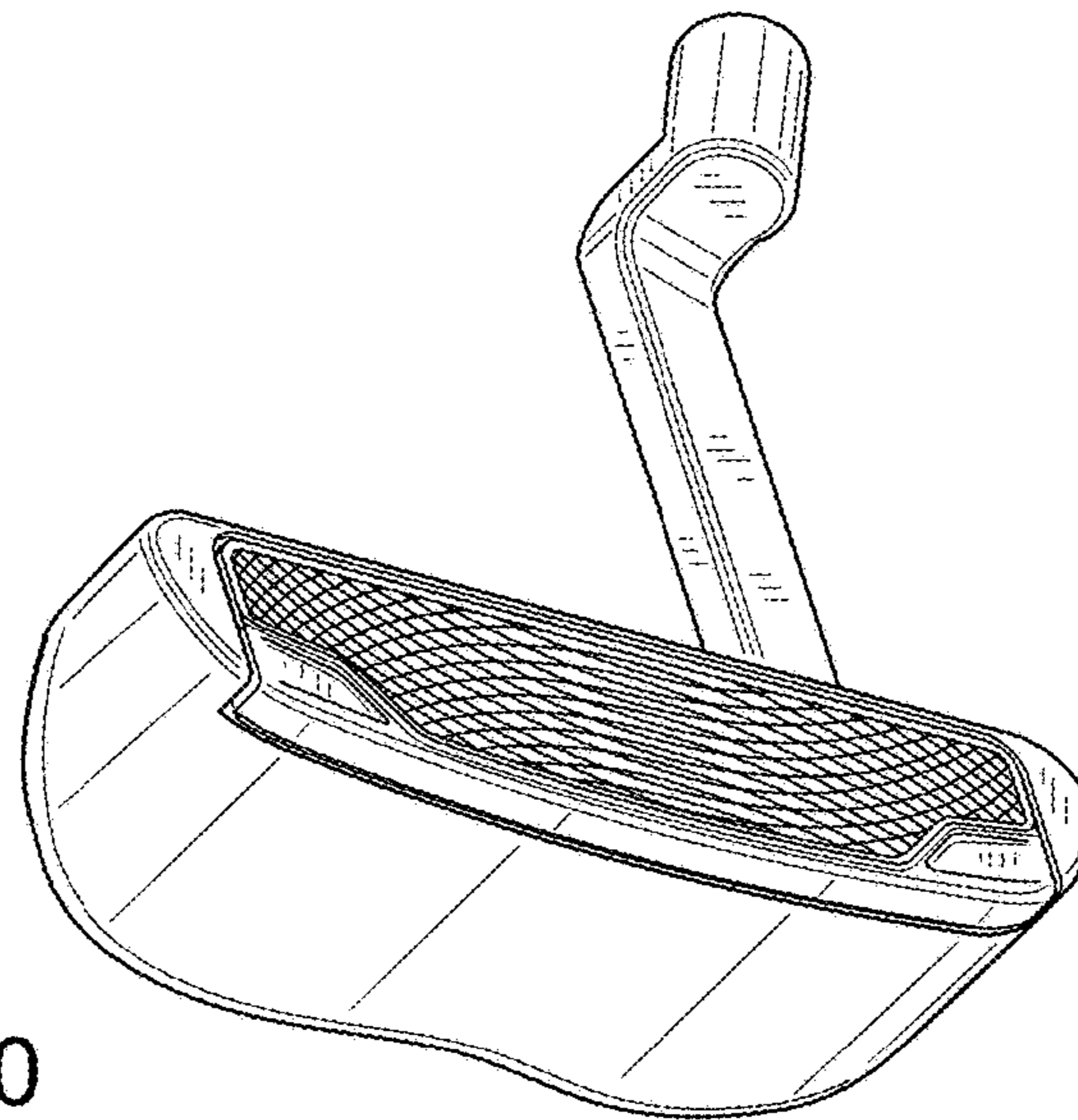


FIG. 10

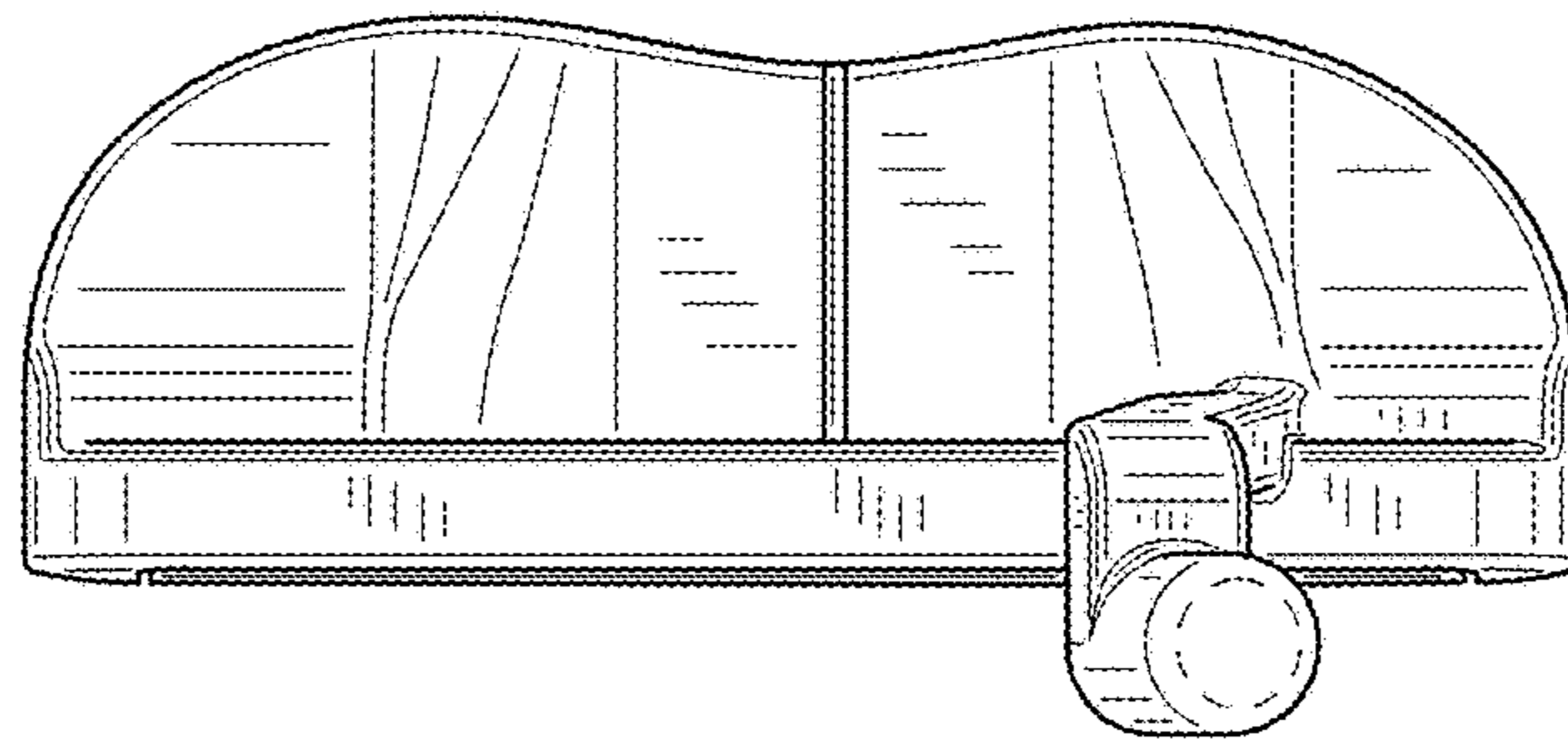


FIG.11

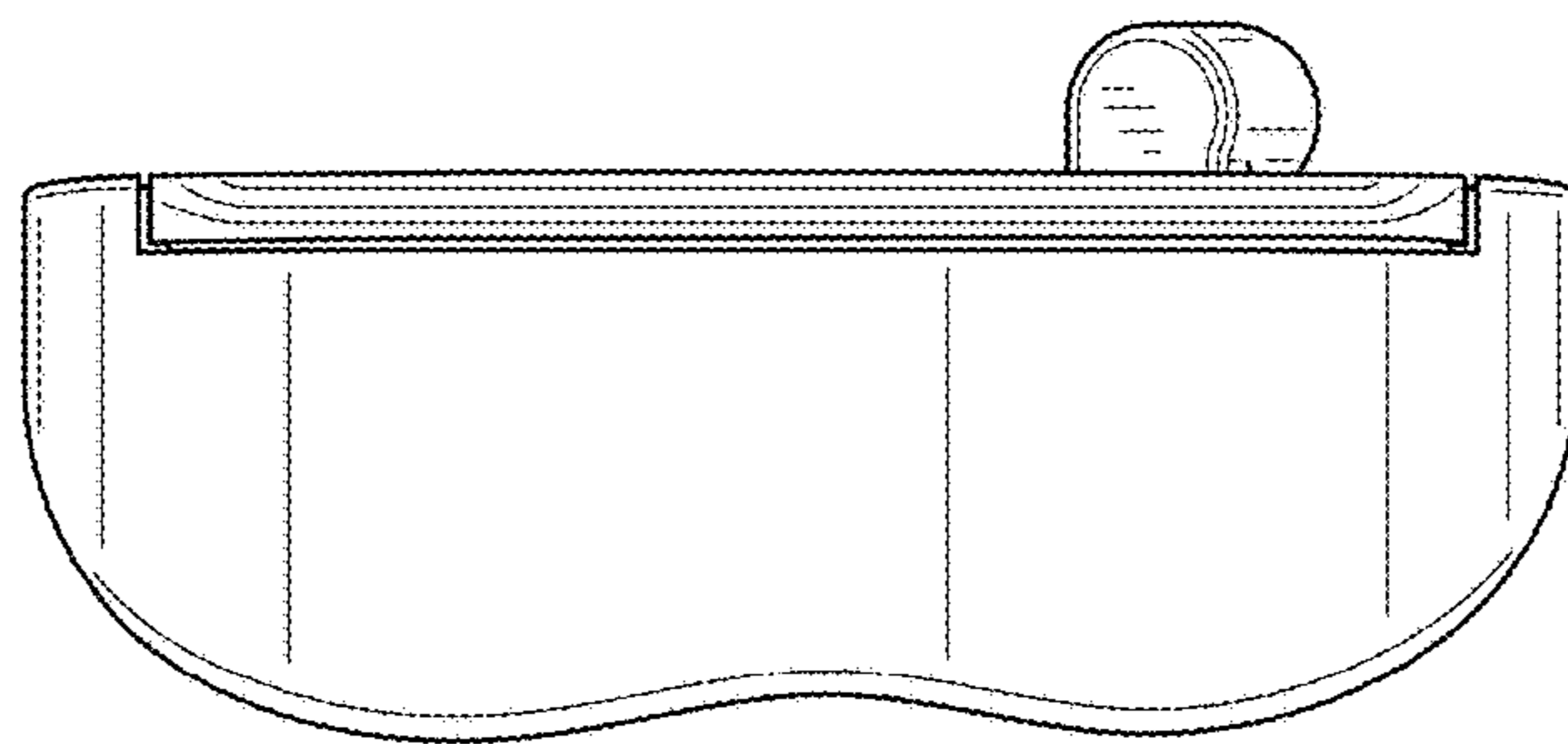


FIG.12



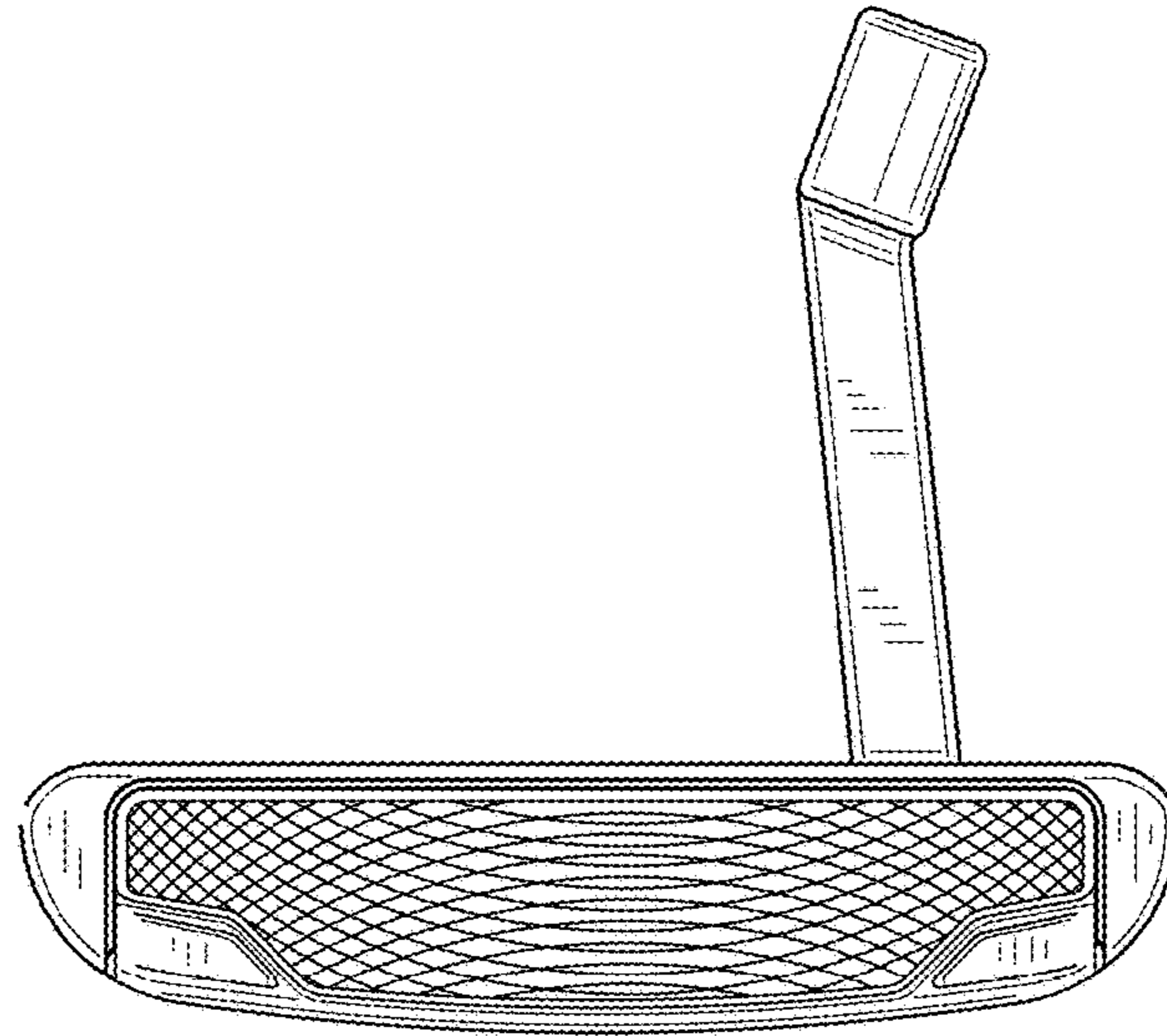


FIG.13

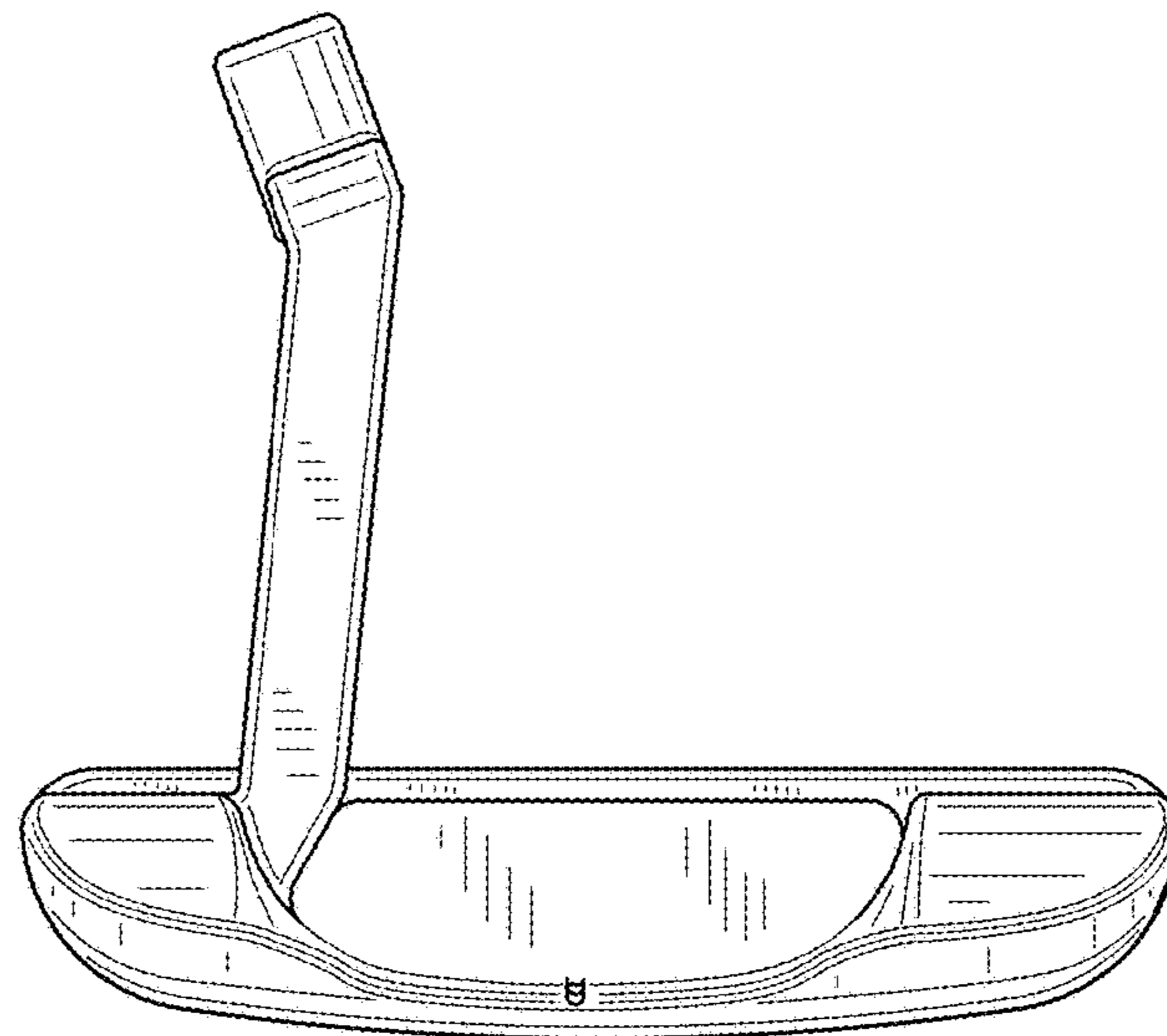


FIG.14

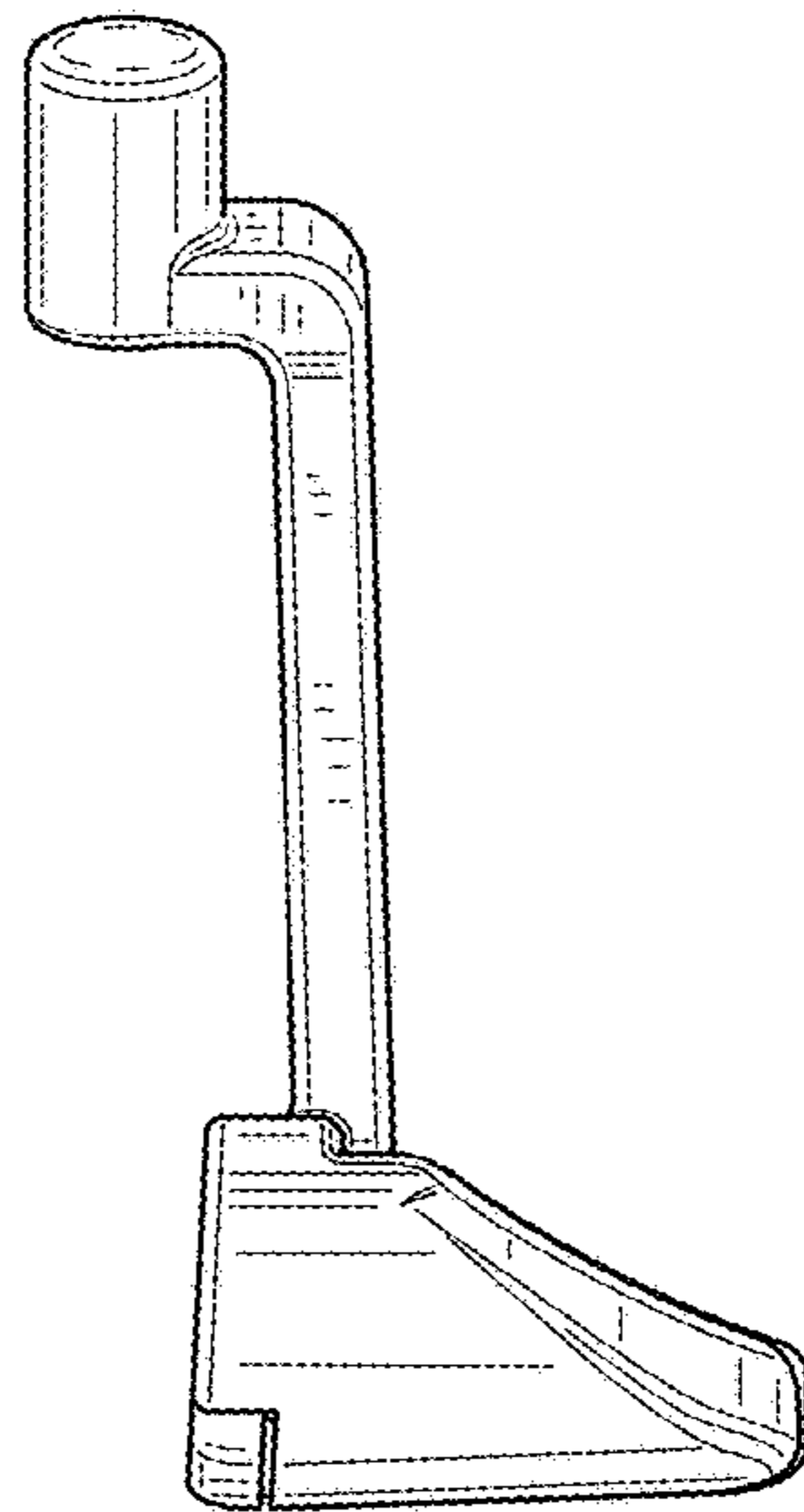


FIG.15

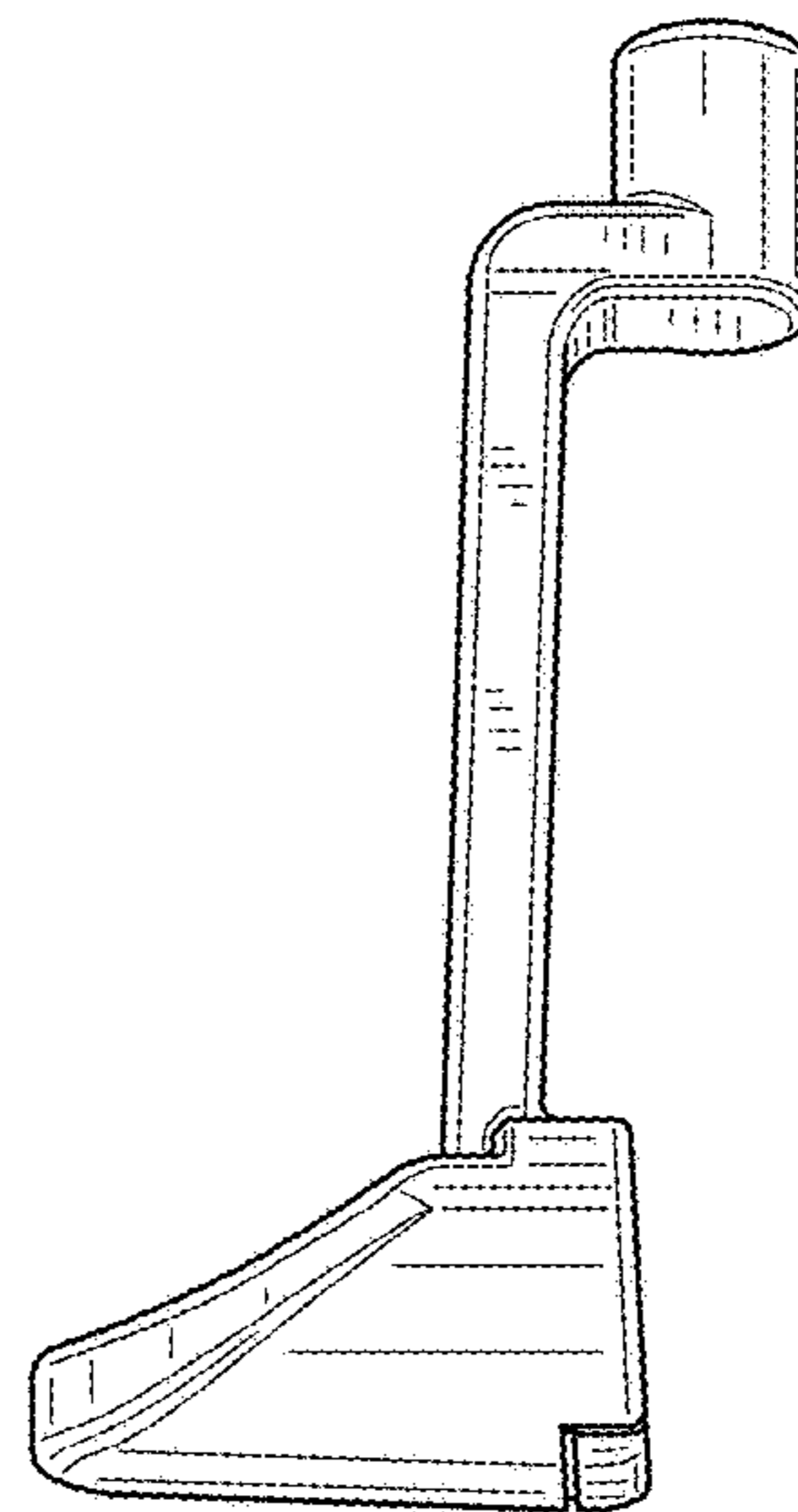


FIG.16