

US00D847923S

(12) **United States Design Patent**  
**Wang et al.**

(10) **Patent No.:** **US D847,923 S**

(45) **Date of Patent:** **\*\* May 7, 2019**

(54) **GOLF CLUB HEAD**

(71) Applicant: **Karsten Manufacturing Corporation**,  
Phoenix, AZ (US)

(72) Inventors: **Calvin S. Wang**, Chandler, AZ (US);  
**David A. Higdon**, Cave Creek, AZ  
(US); **Martin R. Jertson**, Phoenix, AZ  
(US); **John A. Solheim**, Phoenix, AZ  
(US); **Matthew A. Solheim**, Phoenix,  
AZ (US); **Allan D. Solheim**, Phoenix,  
AZ (US)

(73) Assignee: **Karsten Manufacturing Corporation**,  
Phoenix, AZ (US)

(\*\*) Term: **15 Years**

(21) Appl. No.: **29/626,634**

(22) Filed: **Nov. 17, 2017**

(51) **LOC (11) Cl.** ..... **21-02**

(52) **U.S. Cl.**  
USPC ..... **D21/736**

(58) **Field of Classification Search**  
USPC ..... **D21/736-746, 759**

(Continued)

(56) **References Cited**

**U.S. PATENT DOCUMENTS**

D257,869 S \* 1/1981 MacDougall ..... D21/739  
D268,691 S \* 4/1983 Collins ..... D21/739

(Continued)

**FOREIGN PATENT DOCUMENTS**

CN 205055352 3/2016  
EM 0026795220001 7/2015

(Continued)

**OTHER PUBLICATIONS**

Golf Club Putter Right Handed Clubs 33/ 34/ 35 inch Above the  
Green to Take the Ball Unique New Functionality, AliExpress,  
Accessed on Apr. 11, 2017; <[https://www.aliexpress.com/item/  
Unique-newest-functionality-golf-clubs-putter-right-handed-clubs-  
33-34-35inch-Above-the-green-to/32754733509.html](https://www.aliexpress.com/item/Unique-newest-functionality-golf-clubs-putter-right-handed-clubs-33-34-35inch-Above-the-green-to/32754733509.html)>.

(Continued)

*Primary Examiner* — Mitchell I. Siegel

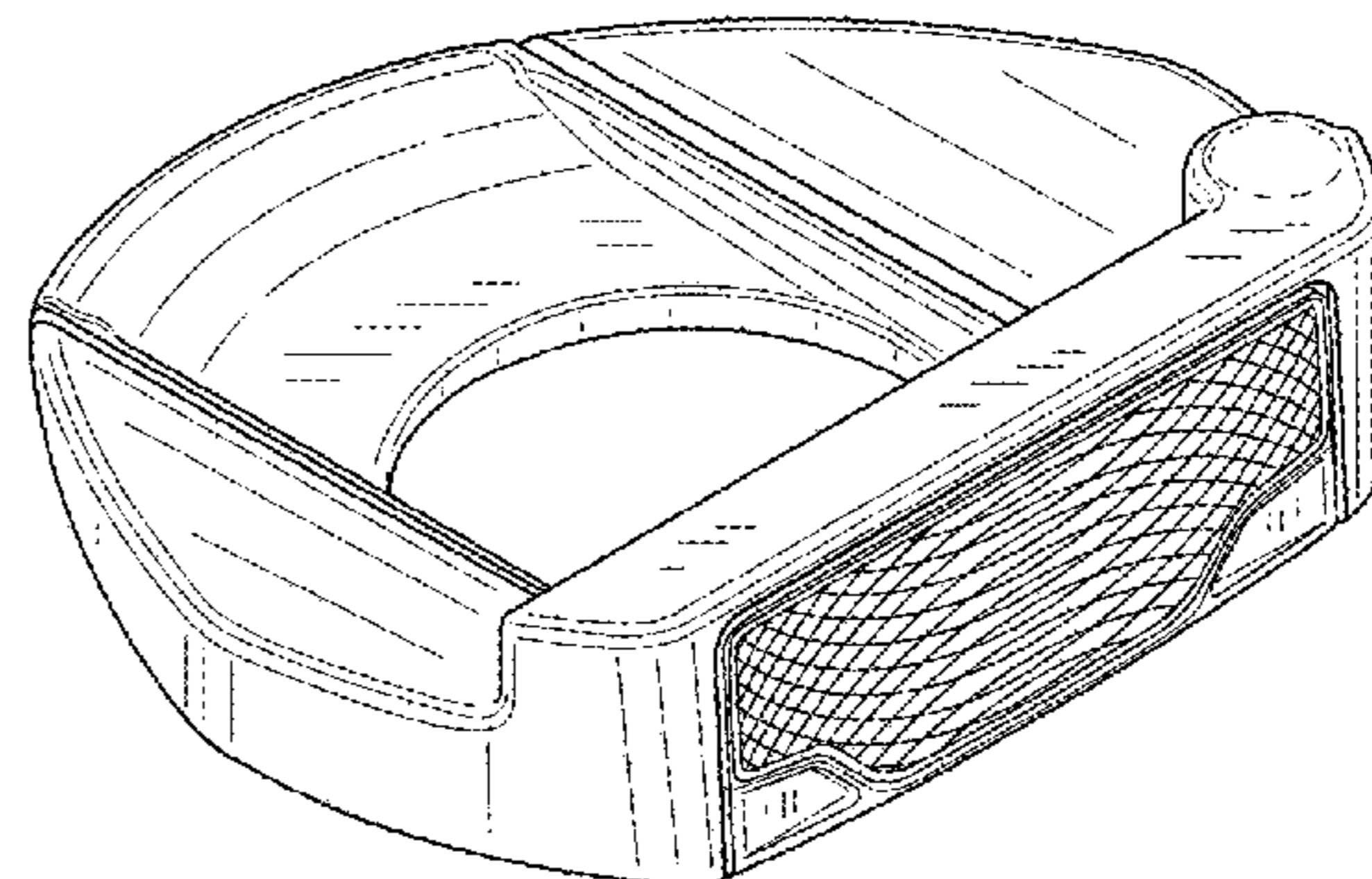
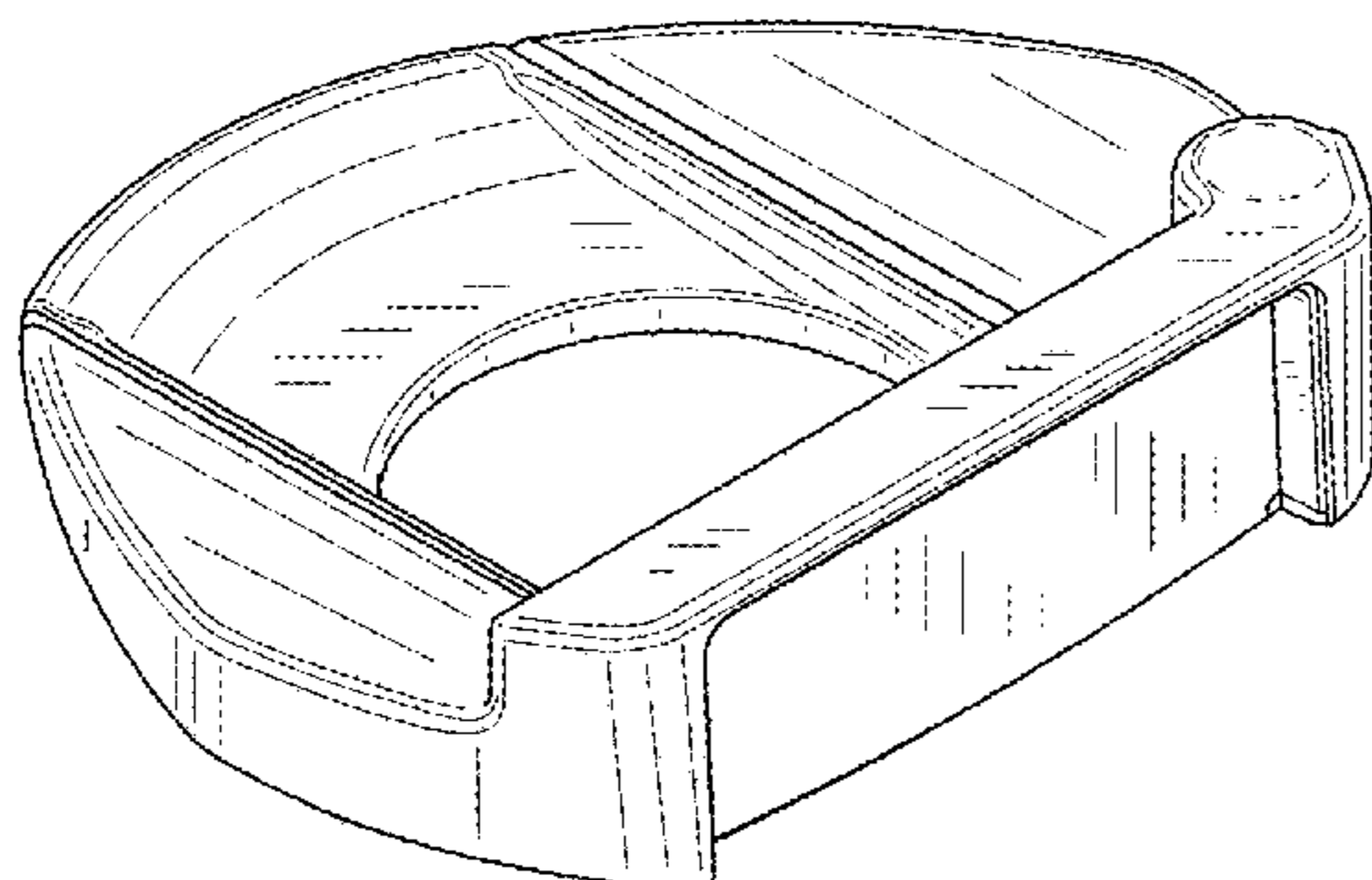
(57) **CLAIM**

The ornamental design for a golf club head, as shown and  
described.

**DESCRIPTION**

FIG. 1 is a top perspective view of a golf club head;  
FIG. 2 is a bottom perspective view of the golf club head of  
FIG. 1;  
FIG. 3 is a top view of the golf club head of FIG. 1;  
FIG. 4 is a bottom view of the golf club head of FIG. 1;  
FIG. 5 is a front view of the golf club head of FIG. 1;  
FIG. 6 is a rear view of the golf club head of FIG. 1;  
FIG. 7 is a heel side view of the golf club head of FIG. 1;  
FIG. 8 is a toe side view of the golf club head of FIG. 1;  
FIG. 9 is a top perspective view of another embodiment of  
a golf club head;  
FIG. 10 is a bottom perspective view of the golf club head  
of FIG. 9;  
FIG. 11 is a top view of the golf club head of FIG. 9;  
FIG. 12 is a bottom view of the golf club head of FIG. 9;  
FIG. 13 is a front view of the golf club head of FIG. 9;  
FIG. 14 is a rear view of the golf club head of FIG. 9;  
FIG. 15 is a heel side view of the golf club head of FIG. 9;  
and,  
FIG. 16 is a toe side view of the golf club head of FIG. 9.  
The broken line showing on the golf club head is included  
for the purpose of illustrating unclaimed subject matter and  
forms no part of the claimed design.

**1 Claim, 10 Drawing Sheets**



(58) **Field of Classification Search**  
 CPC ..... A63B 53/00; A63B 53/04; A63B 53/007;  
 A63B 53/065; A63B 53/0487; A63B  
 60/00; A63B 60/46  
 See application file for complete search history.

(56) **References Cited**

U.S. PATENT DOCUMENTS

D316,129 S \* 4/1991 Bryson ..... D21/739  
 D320,251 S \* 9/1991 Mermillod ..... D21/739  
 D320,638 S \* 10/1991 Mermillod ..... D21/739  
 5,524,889 A 6/1996 Rush  
 D380,030 S 6/1997 Altman  
 D388,853 S \* 1/1998 Minami ..... D21/745  
 D400,942 S \* 11/1998 Billings ..... D21/742  
 D402,724 S \* 12/1998 Minami ..... D21/743  
 D424,145 S \* 5/2000 Minami ..... D21/744  
 D499,154 S \* 11/2004 D'Agguano ..... D21/736  
 6,878,072 B1 4/2005 Henry  
 7,059,971 B1 \* 6/2006 Schmitt ..... A63B 47/02  
 473/285  
 7,086,959 B2 \* 8/2006 D'Agguano ..... A63B 47/02  
 473/282  
 7,223,178 B2 \* 5/2007 Henry ..... A63B 47/02  
 294/19.2  
 D572,325 S 7/2008 Baer  
 D604,782 S \* 11/2009 Franklin ..... D21/736  
 D607,950 S \* 1/2010 Souza ..... D21/736  
 7,922,596 B2 \* 4/2011 Vanderbilt ..... A63B 47/008  
 473/251

D643,894 S 8/2011 Price et al.  
 D645,923 S 9/2011 Price et al.  
 8,272,976 B2 \* 9/2012 DAgostino ..... A63B 47/002  
 294/19.2  
 8,632,415 B1 1/2014 Smith  
 D704,781 S \* 5/2014 Pak ..... D21/736  
 8,777,775 B2 7/2014 Johnson  
 D741,965 S \* 10/2015 Davis ..... D21/736  
 D741,966 S \* 10/2015 Davis ..... D21/736  
 D741,967 S 10/2015 Davis et al.  
 D769,996 S \* 10/2016 Abbott ..... D21/744  
 D774,609 S \* 12/2016 Serrano ..... D21/744  
 D794,732 S \* 8/2017 Jertson ..... D21/744  
 D796,603 S \* 9/2017 Serrano ..... D21/744  
 D797,872 S \* 9/2017 Jertson ..... D21/743

FOREIGN PATENT DOCUMENTS

GB	2213737	8/1989
JP	D1437323	4/2012
KR	20140147640	12/2014

OTHER PUBLICATIONS

2016 New Golf Club Putter Men's Gold 1 Silver 33/ 34/ 35 inch Can  
 Pick Up the Ball, AliExpress, Accessed on Apr. 11, 2017; <<https://www.aliexpress.com/item/2016-new-Golf-Club-putter-men-s-gold-silver-33-34-35inch-can-pick-up-the/32744664186.html>>.

\* cited by examiner

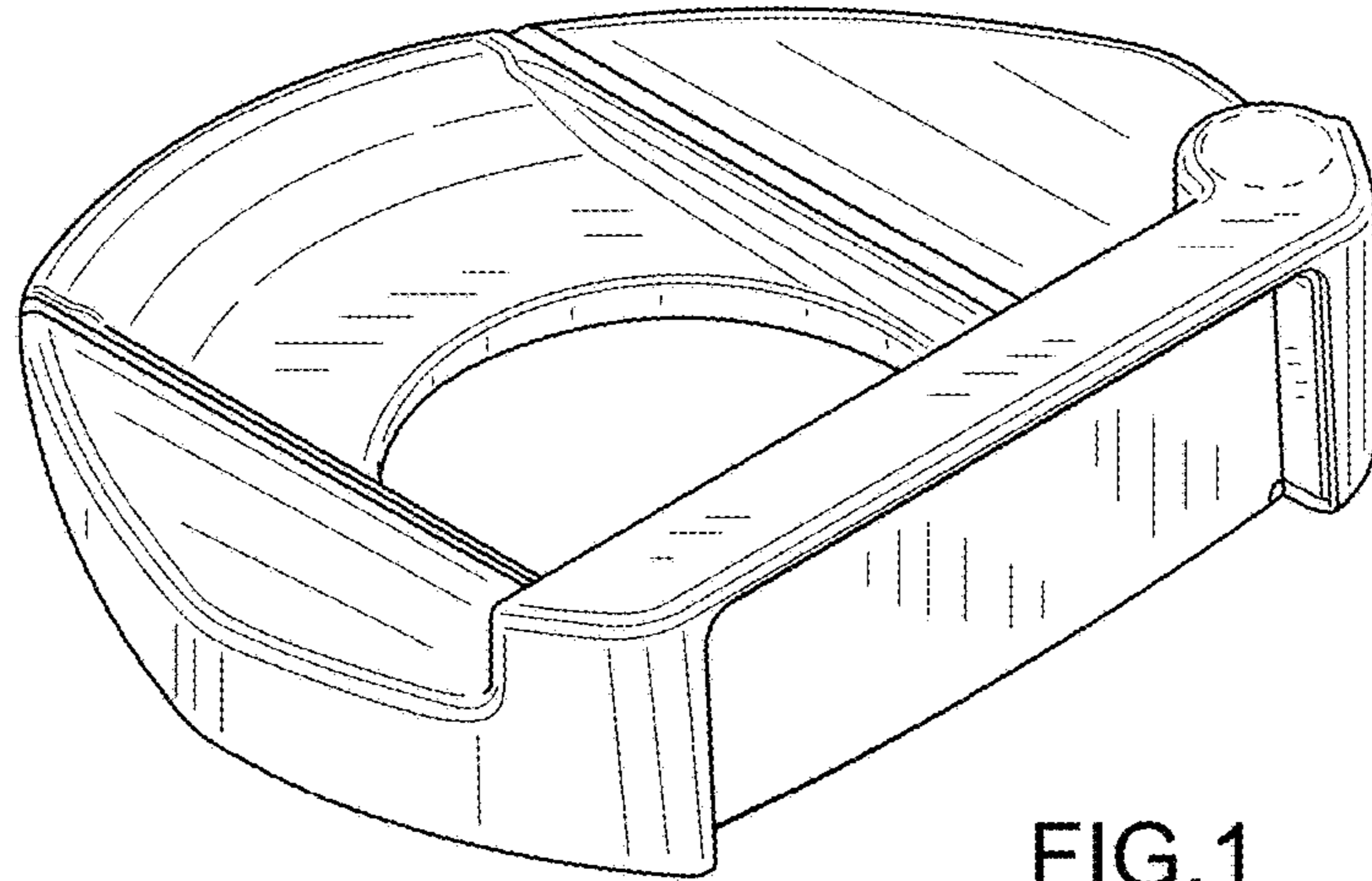


FIG. 1

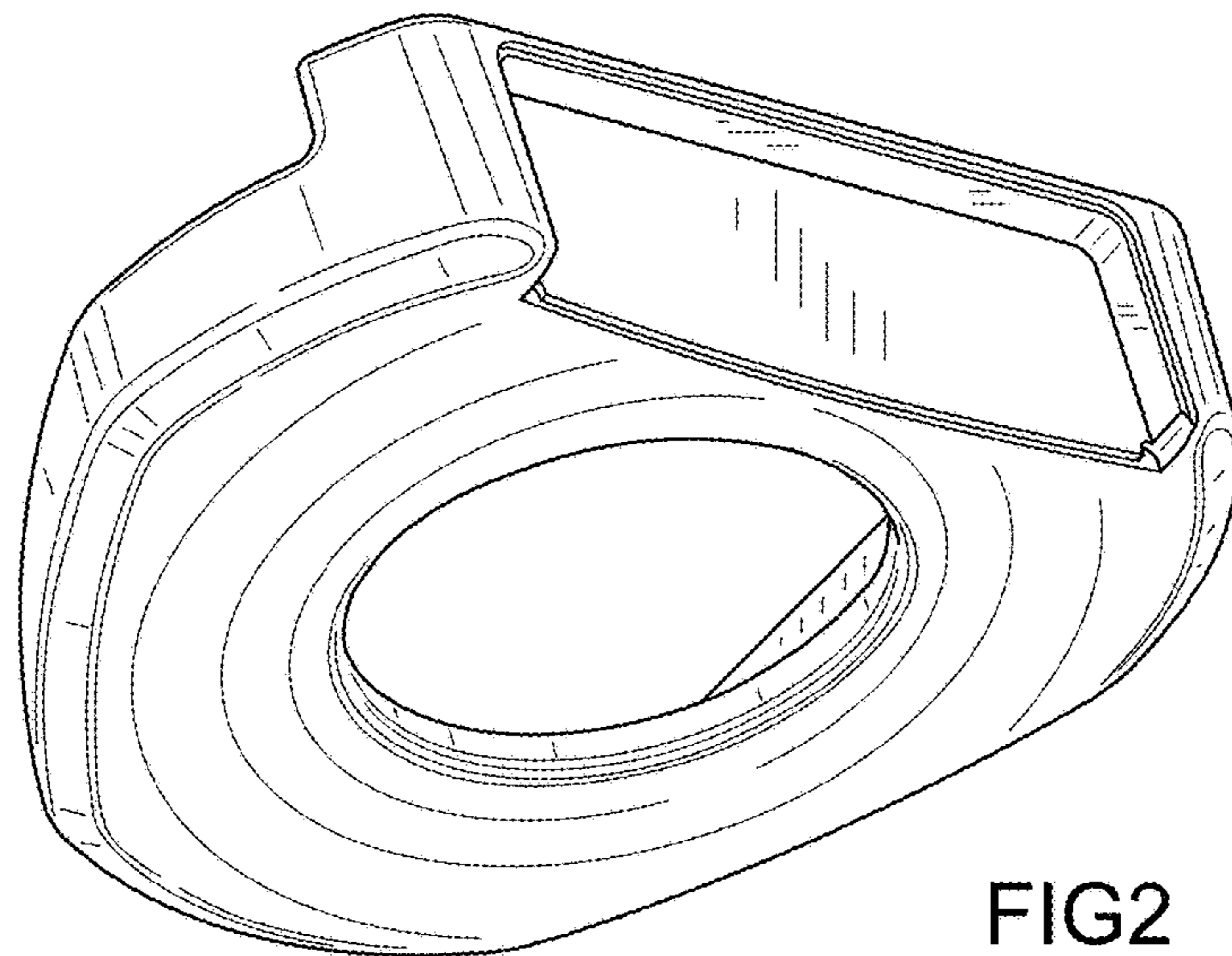


FIG. 2

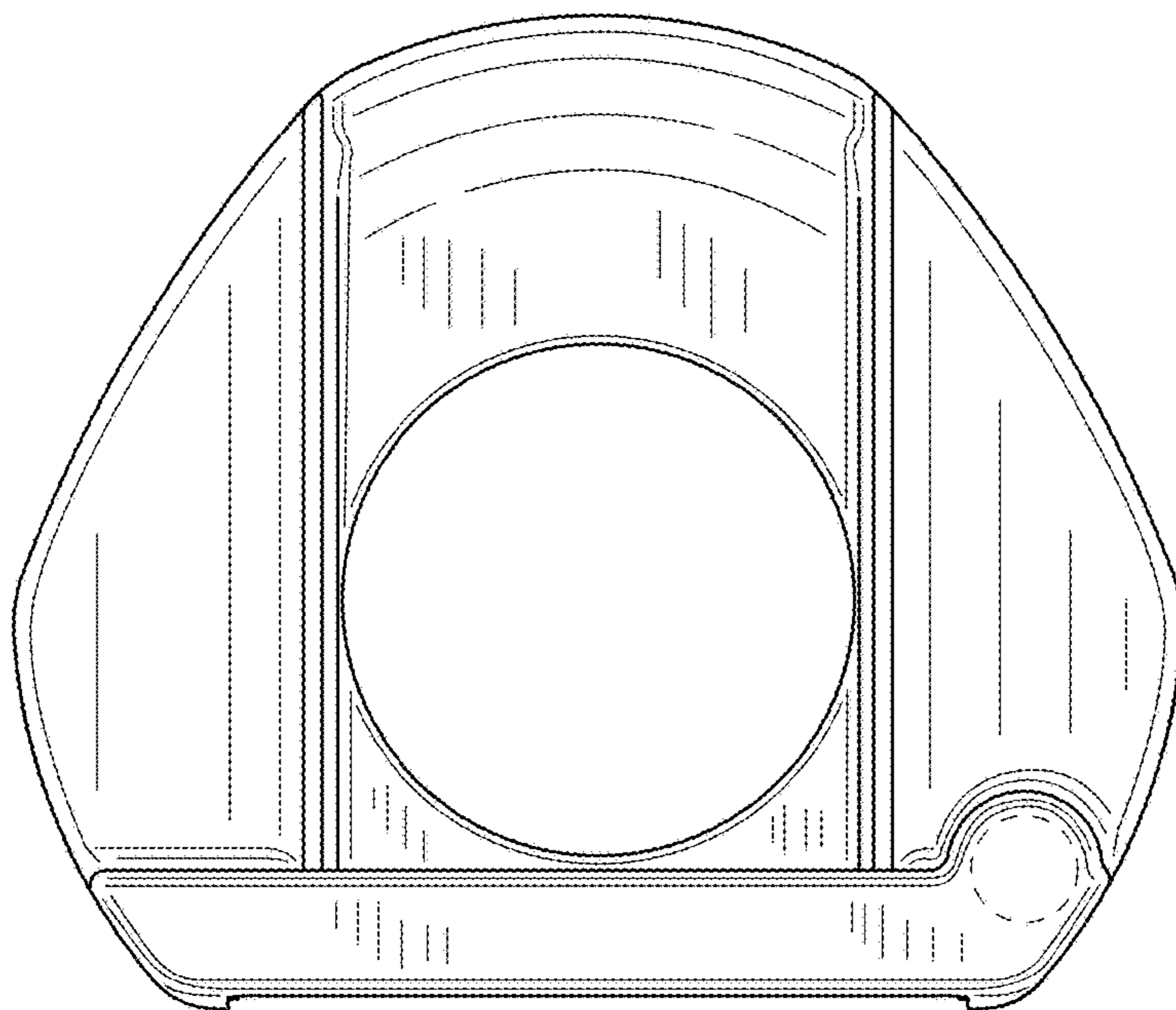


FIG.3

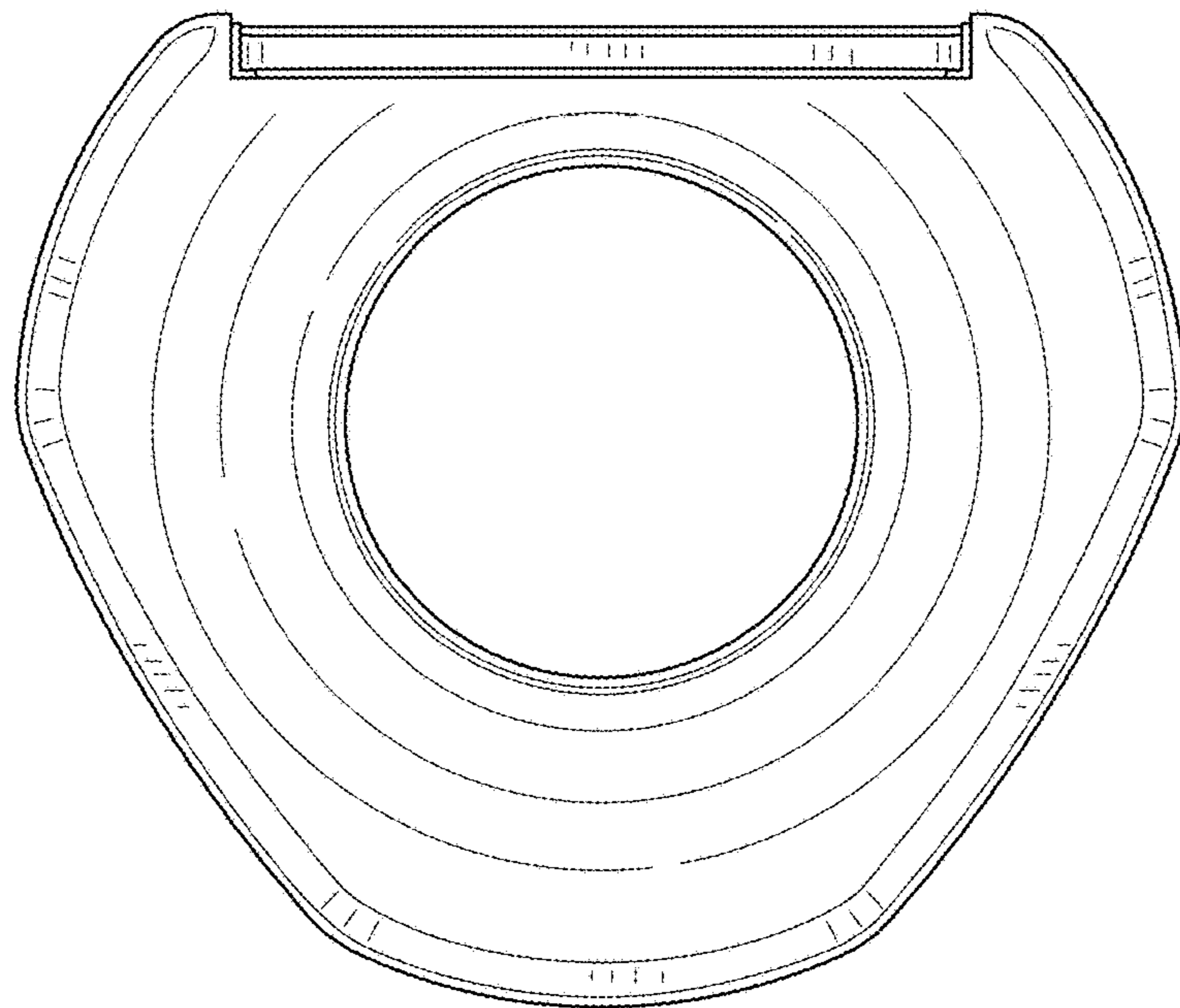


FIG.4

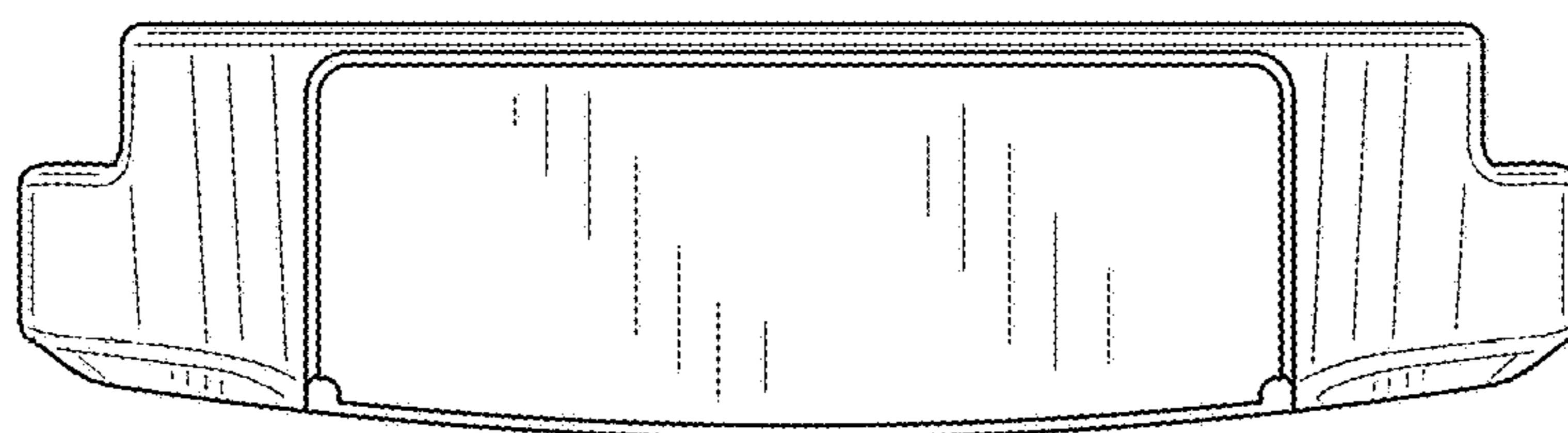


FIG. 5

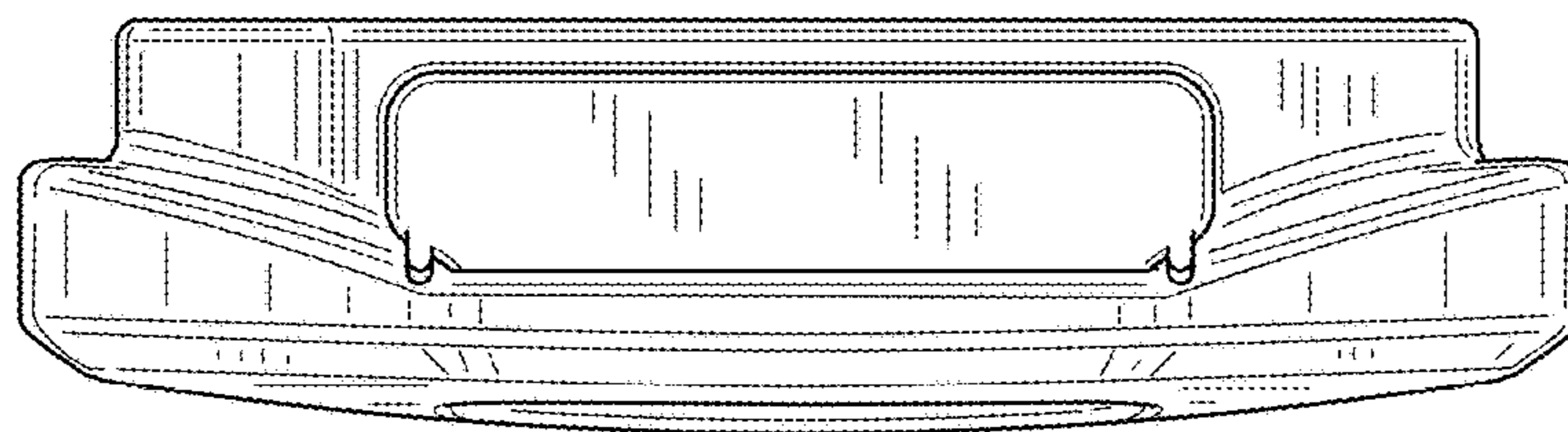


FIG. 6

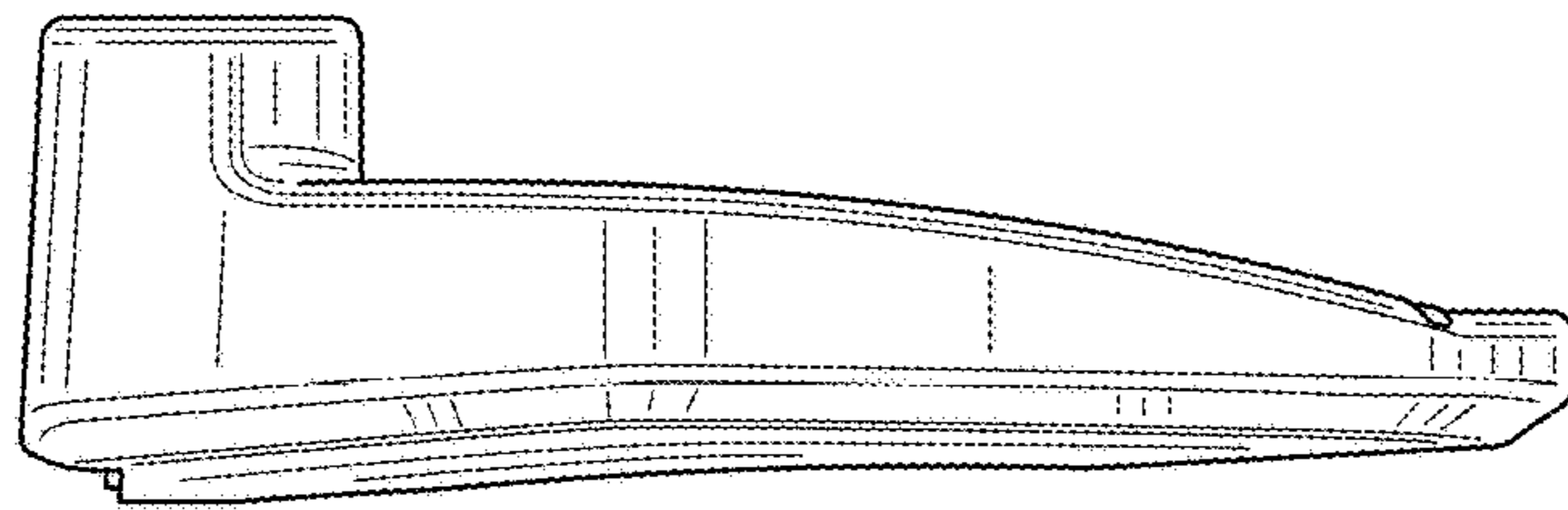


FIG. 7

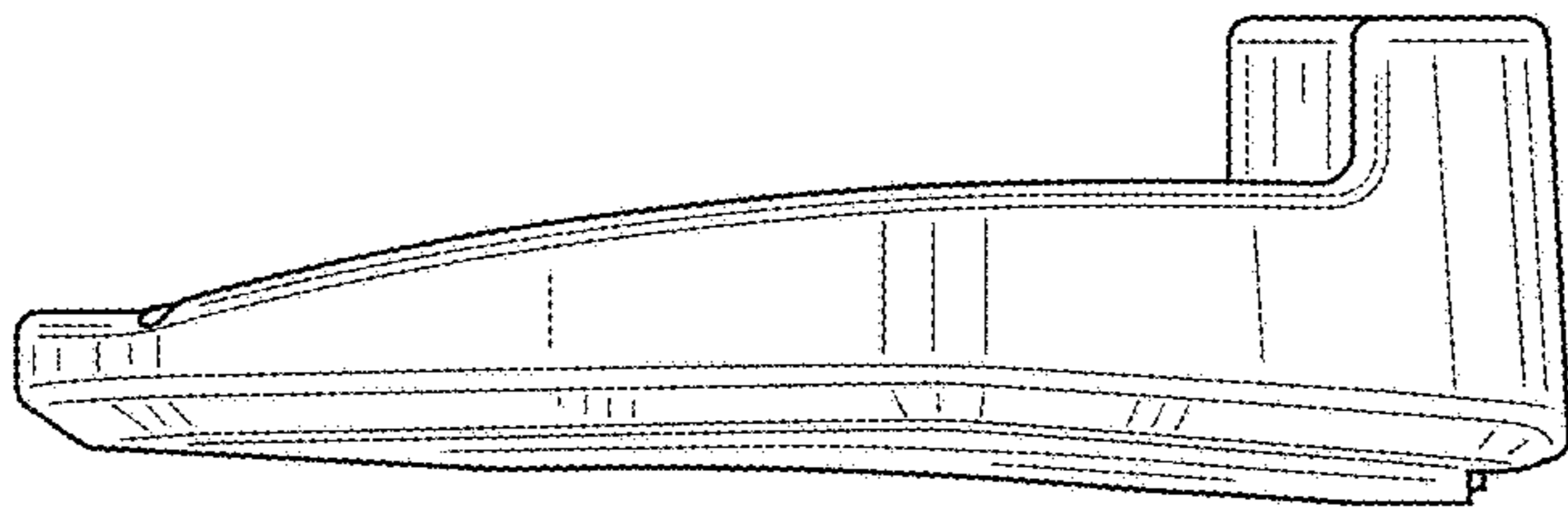


FIG. 8

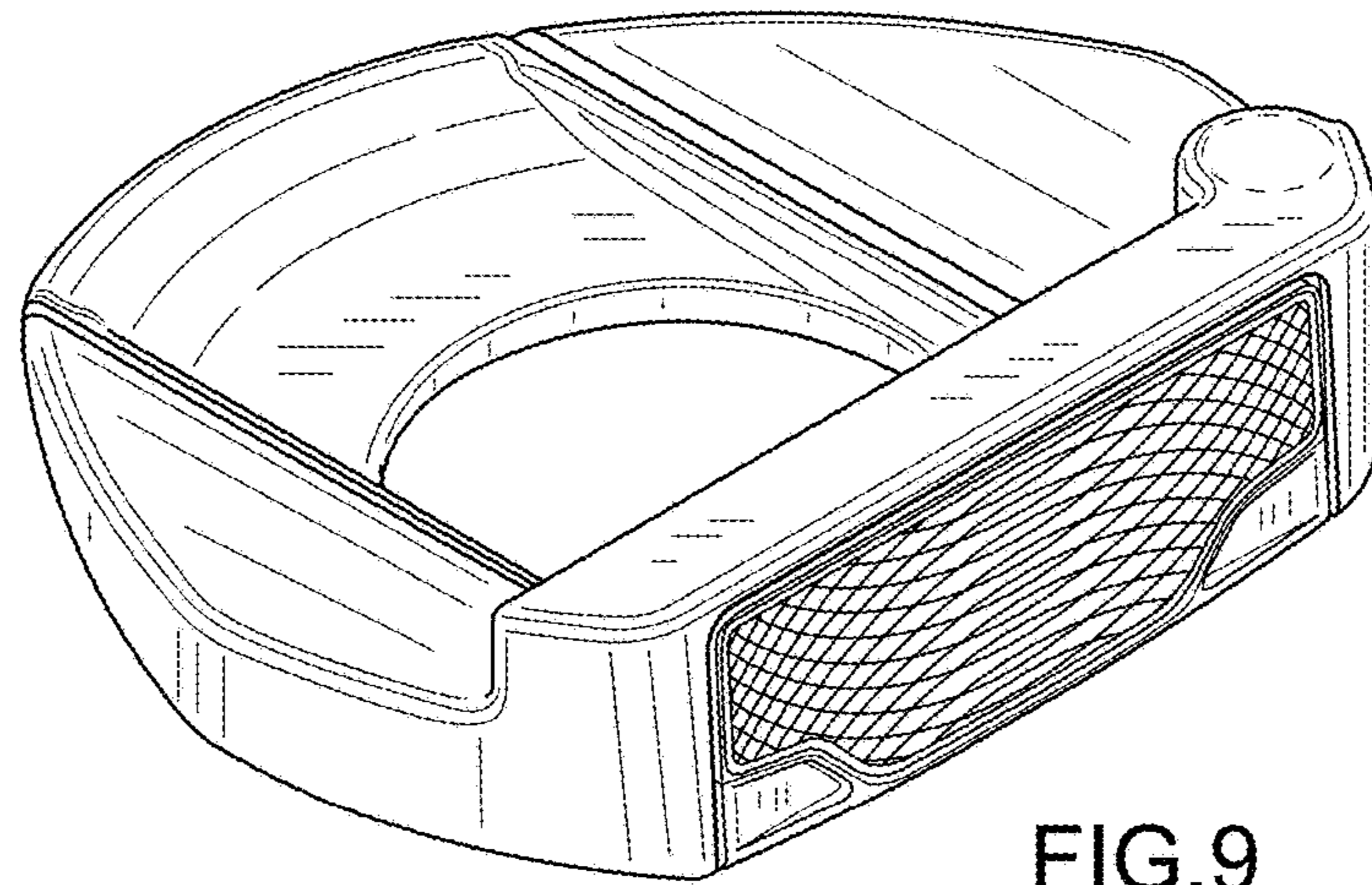


FIG. 9

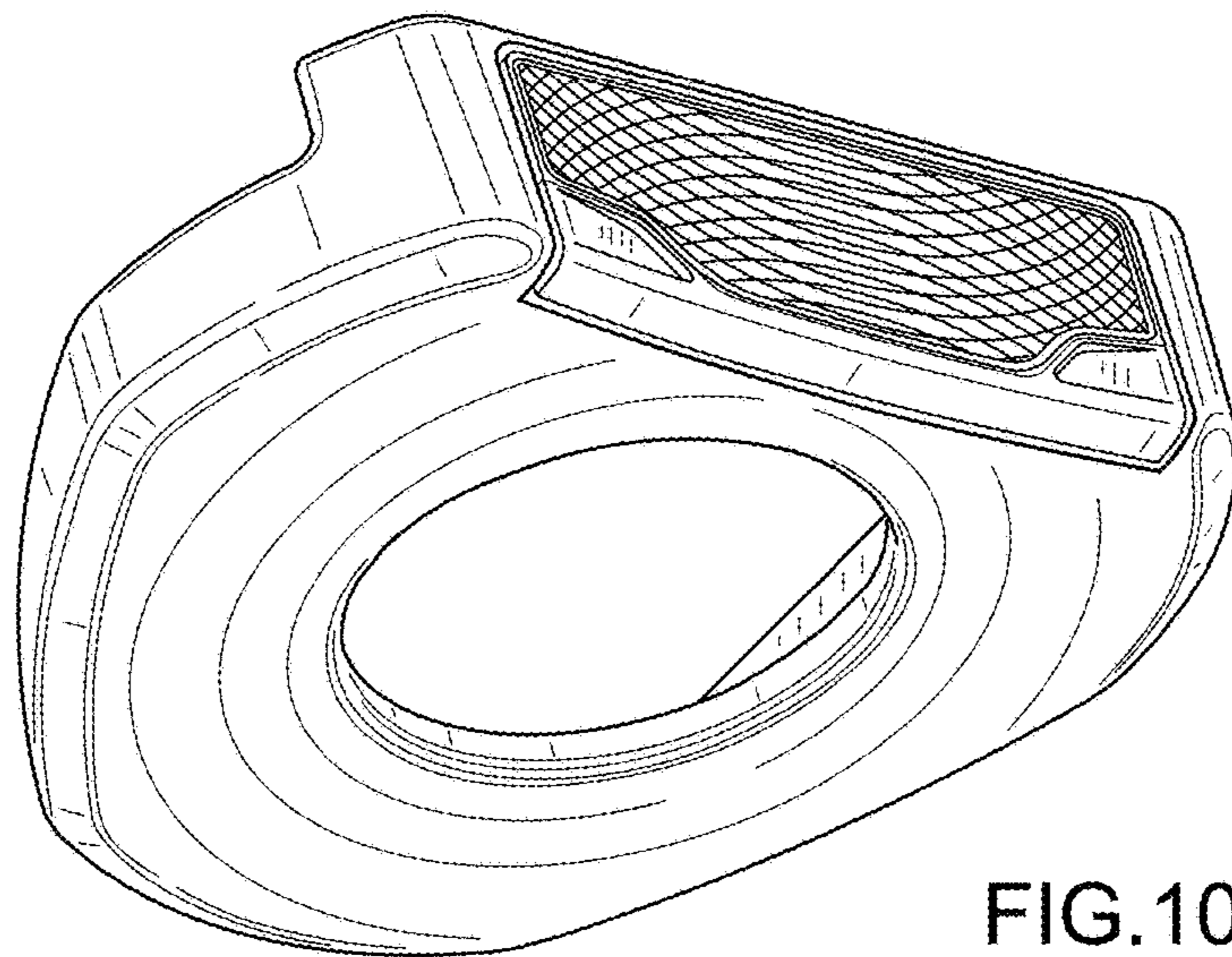


FIG. 10



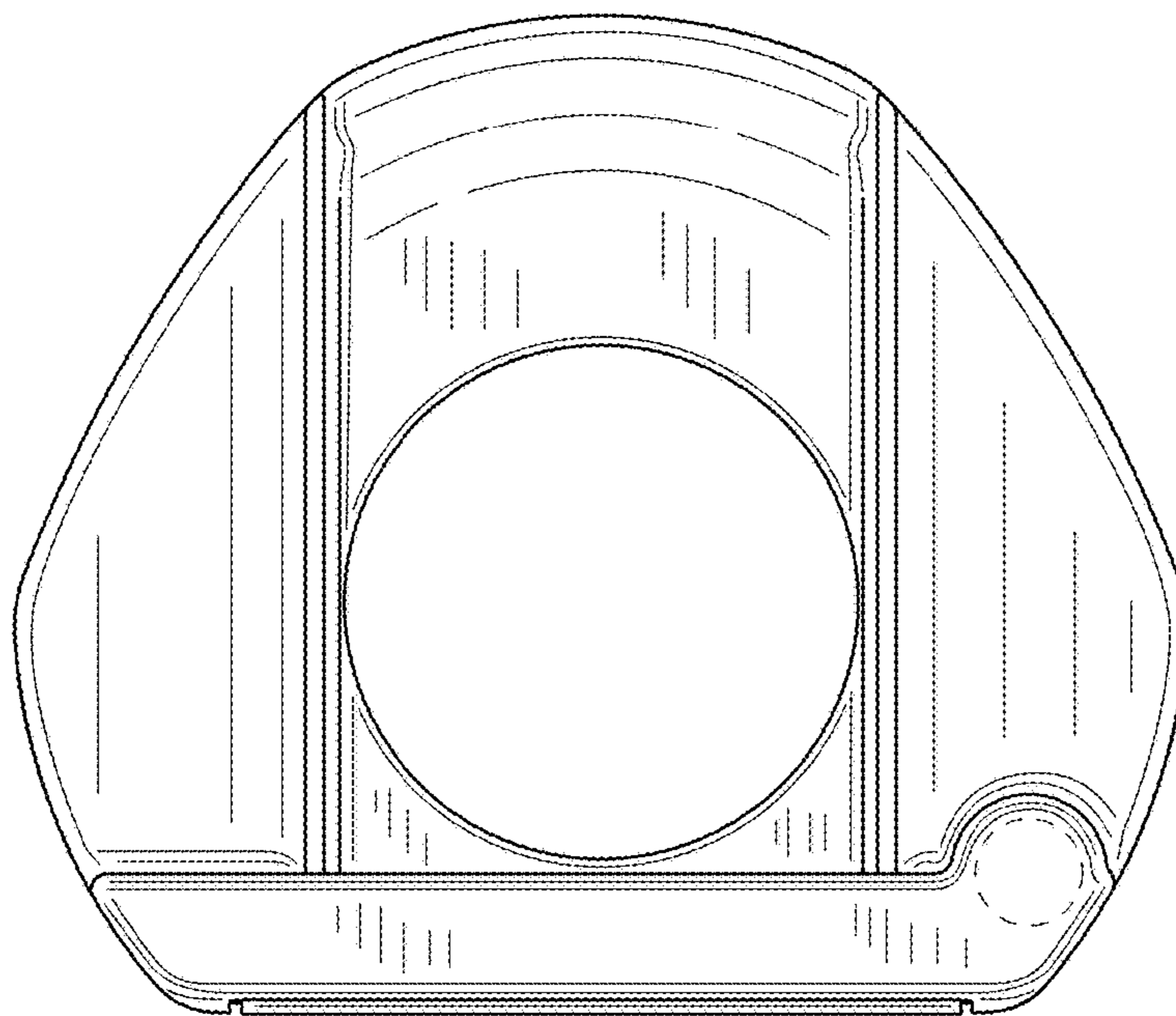


FIG.11

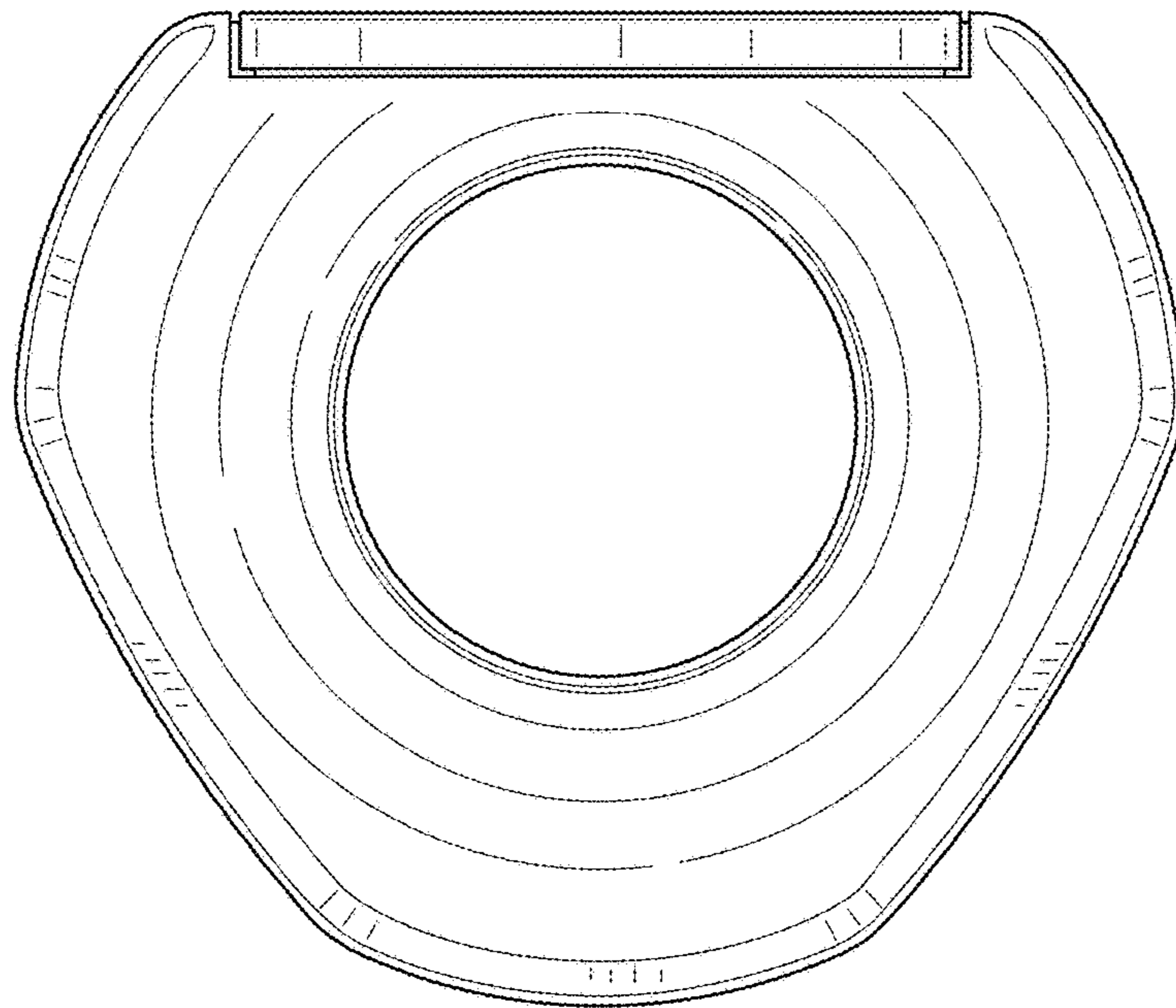


FIG.12

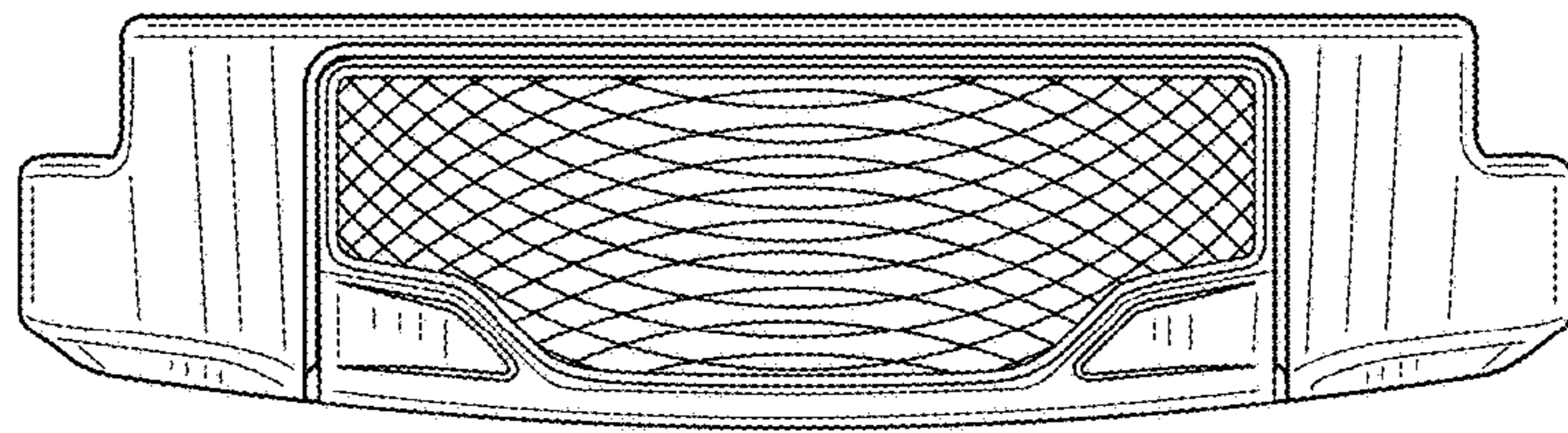


FIG.13

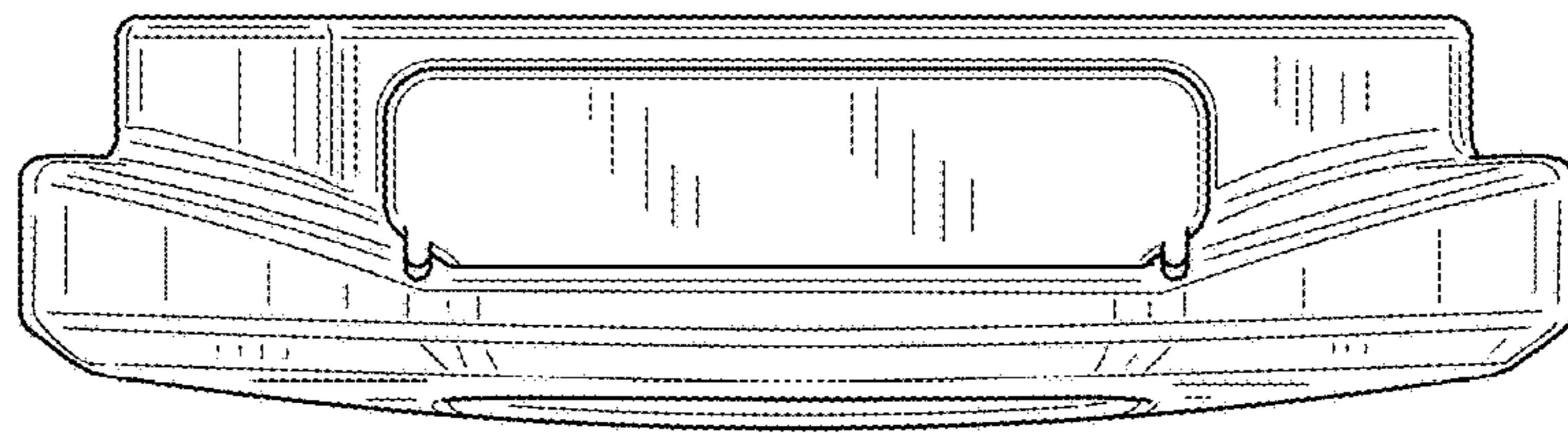


FIG.14

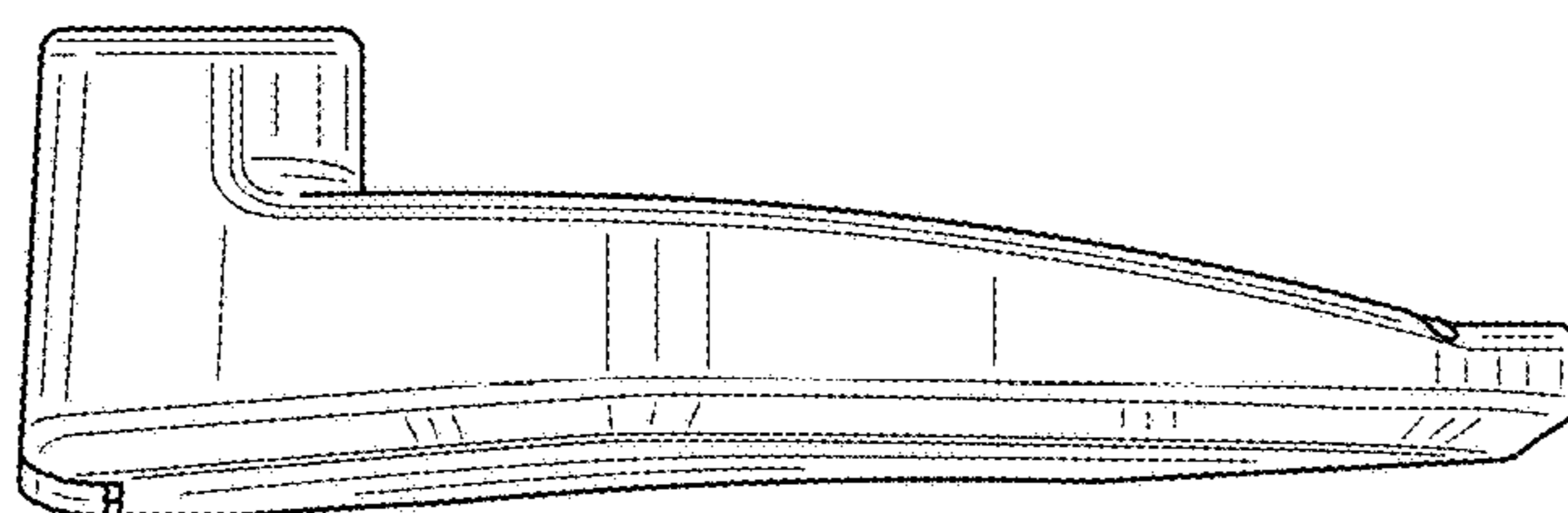


FIG.15

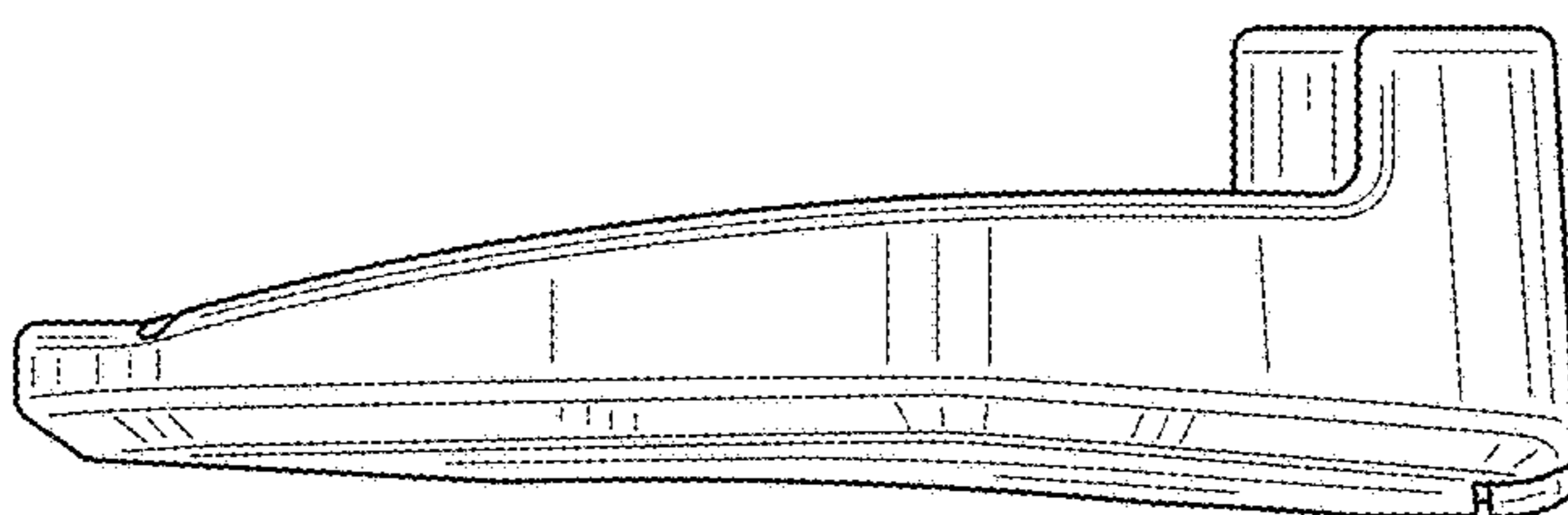


FIG.16