

US00D847921S

(12) **United States Design Patent** (10) **Patent No.:** **US D847,921 S**
Siefker (45) **Date of Patent:** **** May 7, 2019**

(54) **SPORTS TRAINING DEVICE**

FOREIGN PATENT DOCUMENTS

(71) Applicant: **Aaron Glenn Siefker**, Newport Beach, CA (US)

CA 1227818 10/1987

(72) Inventor: **Aaron Glenn Siefker**, Newport Beach, CA (US)

OTHER PUBLICATIONS

(73) Assignee: **Zero Nine Products, LLC**, Corona Del Mar, CA (US)

International Search Report and Written Opinion in related PCT Application No. PCT/US2013/058792.

(Continued)

(**) Term: **15 Years**

Primary Examiner — Cynthia Ramirez

Assistant Examiner — Michael A Maharajh

(21) Appl. No.: **29/602,948**

(74) *Attorney, Agent, or Firm* — Eric L. Lane; Green Patent Law

(22) Filed: **May 5, 2017**

Related U.S. Application Data

(63) Continuation of application No. 14/505,532, filed on Oct. 3, 2014, now abandoned, which is a continuation of application No. 13/625,684, filed on Sep. 24, 2012, now Pat. No. 8,858,370.

(57) **CLAIM**

The ornamental design of a sports training device, as shown and described.

(51) **LOC (11) Cl.** **21-02**

(52) **U.S. Cl.**
USPC **D21/699; D21/705**

DESCRIPTION

(58) **Field of Classification Search**
USPC 273/343, 348, 392, 394, 395, 396, 397, 273/398, 400, 401, 402, 406, 407; 473/172, 197, 415, 421, 456, 478; D21/302, 303, 304, 305, 306, 698, 699, D21/700, 701, 702, 703, 704, 705, 780, D21/788, 789, 790, 834, 835, 836, 837, D21/838, 839; D22/135
CPC A63B 63/004; A63B 63/008; A63B 63/00; A63B 71/022; A63B 69/0071; A63B 47/025; A63B 69/0095; F41J 1/10
See application file for complete search history.

FIG. 1 is a perspective view showing a design for a sports training device;
FIG. 2 is a front view thereof;
FIG. 3 is a rear view thereof;
FIG. 4 is a left side view thereof;
FIG. 5 is a right side view thereof;
FIG. 6 is a top view thereof;
FIG. 7 is a bottom view thereof;
FIG. 8 is a perspective view of the sports training device in use; and,
FIG. 9 is a front view of the sports training device in use. The broken lines shown in the figures are for the purpose of illustrating portions of the sports training device, which form no part of the claimed design. The additional broken lines shown in FIGS. 8 and 9 are for the purposes of illustrating environmental structure, which form no part of the claimed design.

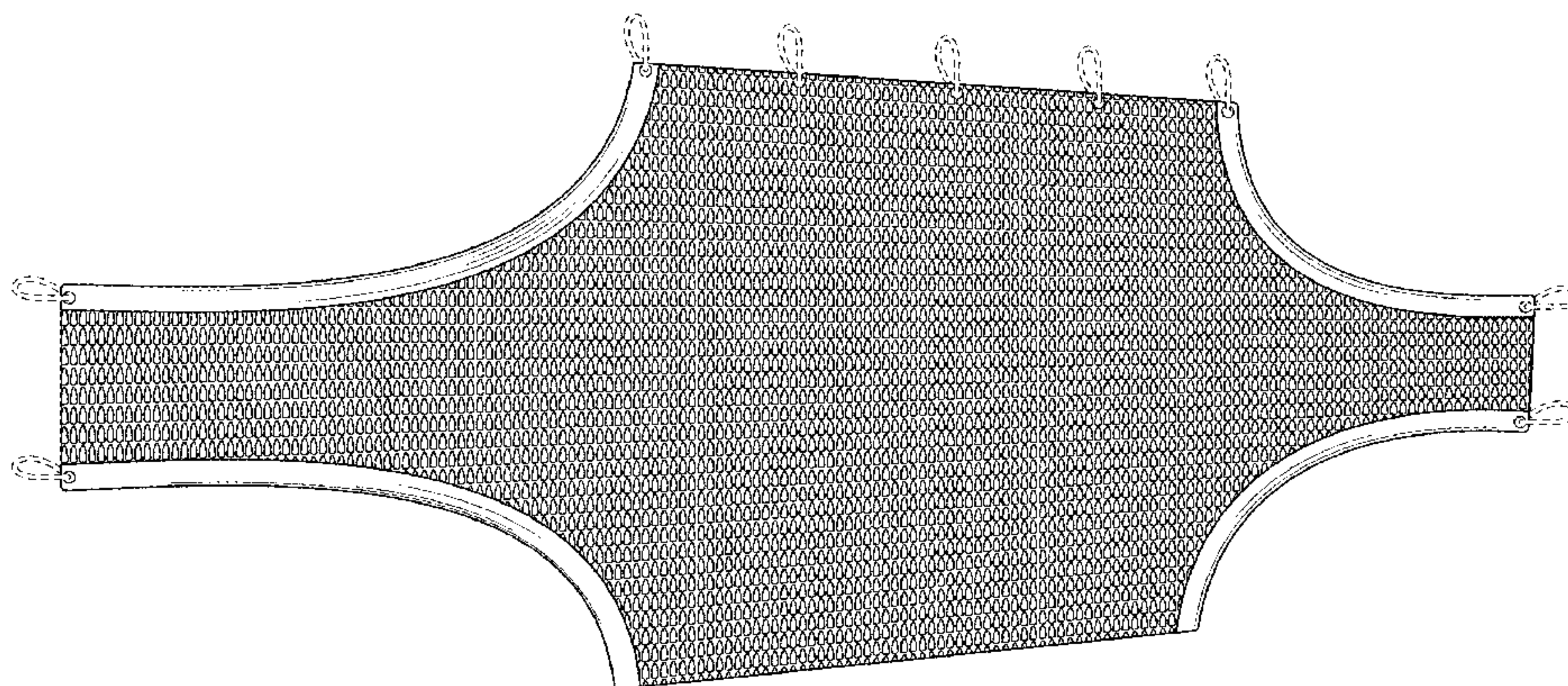
(56) **References Cited**

U.S. PATENT DOCUMENTS

227,262 A 5/1880 Kendall
364,805 A 6/1887 Conboy
1,615,931 A 2/1927 Cann

(Continued)

1 Claim, 7 Drawing Sheets



(56)

References Cited

U.S. PATENT DOCUMENTS

2,033,408 A 3/1936 Watterson
 3,426,363 A 2/1969 Girard
 3,558,140 A 1/1971 Romeo
 3,840,228 A 10/1974 Greaney
 3,994,423 A 11/1976 Burg
 4,173,337 A 11/1979 Okonowski
 4,212,288 A 7/1980 Lipinski
 4,258,923 A 3/1981 Senoh
 4,529,390 A 7/1985 Levy
 4,864,698 A 9/1989 Brame
 4,921,257 A 5/1990 Heller
 D309,486 S 7/1990 Guenette et al.
 4,948,147 A 8/1990 Pallanca
 4,963,410 A 10/1990 Bryant
 5,054,507 A 10/1991 Sparks
 5,181,725 A 1/1993 Leras et al.
 5,183,253 A * 2/1993 Grimaldi A63B 47/025
 273/397
 D346,838 S * 5/1994 Noval D21/705
 5,503,402 A 4/1996 Moss, Jr.
 5,562,288 A * 10/1996 Erkebaev A63B 69/0097
 273/396
 D377,673 S * 1/1997 Henrickson D21/705
 5,603,591 A 2/1997 McLellan
 5,634,640 A 6/1997 McCarrel
 5,690,339 A * 11/1997 Chen A63B 63/004
 273/400
 5,725,444 A 3/1998 Heden
 5,730,442 A 3/1998 Anderson
 5,895,330 A 4/1999 Reilly, Jr.
 5,902,194 A 5/1999 Wade
 D411,267 S 6/1999 Oudemool et al.
 6,264,572 B1 7/2001 Matheson et al.
 6,485,373 B1 * 11/2002 Stephens A63B 63/00
 473/197
 6,508,729 B1 1/2003 Coltrane et al.
 6,595,878 B1 7/2003 Nelson
 6,659,892 B2 12/2003 Lytle et al.
 6,802,789 B1 * 10/2004 Ishino A63B 69/0095
 273/401
 6,846,253 B1 1/2005 Szwalek
 6,893,364 B1 5/2005 Grunfeld
 6,926,624 B1 8/2005 Witzke
 7,037,219 B2 5/2006 Pakieser
 D531,684 S * 11/2006 Bouffard D21/698
 7,153,225 B2 * 12/2006 Morrow A63B 69/0002
 273/400
 7,455,603 B2 * 11/2008 Bouffard A63B 63/004
 473/478
 D584,368 S * 1/2009 Stoewhass D21/705
 7,578,757 B1 8/2009 McNary
 7,651,416 B2 1/2010 Farquhar
 7,661,679 B2 2/2010 Mah et al.
 7,811,184 B2 10/2010 Siefker
 D649,608 S * 11/2011 Kalas D21/705
 8,079,923 B2 12/2011 Siefker
 8,246,496 B2 * 8/2012 Holland A63B 63/004
 473/478
 8,758,173 B2 * 6/2014 Goodman A63B 69/0071
 273/396
 8,858,370 B2 * 10/2014 Siefker A63B 63/004
 473/446
 8,876,637 B2 * 11/2014 Atkins A63B 69/0071
 273/397

D722,660 S * 2/2015 Yuan D21/698
 8,961,339 B2 * 2/2015 Littman A63B 69/0097
 473/435
 9,573,036 B2 * 2/2017 Markham A63B 71/0622
 2003/0228941 A1 12/2003 Bains
 2004/0235589 A1 11/2004 Wedgbury
 2004/0259667 A1 12/2004 Berdugo et al.
 2005/0049089 A1 3/2005 Pakieser
 2006/0273522 A1 12/2006 Marshall et al.
 2007/0191141 A1 8/2007 Weber
 2007/0265115 A1 11/2007 Farquhar
 2008/0032826 A1 2/2008 Mubarak et al.
 2008/0076606 A1 3/2008 Siefker
 2009/0181810 A1 7/2009 Stephenson
 2010/0222162 A1 9/2010 Stephenson
 2012/0077628 A1 3/2012 Siefker
 2013/0023362 A1 1/2013 Siefker
 2014/0087894 A1 3/2014 Siefker
 2015/0018131 A1 1/2015 Siefker
 2015/0283441 A1 * 10/2015 Siefker A63B 63/004
 473/446

OTHER PUBLICATIONS

Franklin Tournament Soccer Rebounder, available at <http://www.hayneedle.com/product/tournamentrebounder.cfm>.
 Lion Sports Heavy Duty Soccer Rebounder, available at <http://www.hayneedle.com/product/lionspodsheavydutysoccerrebounder12x6ft.cfm>.
 Lion Sports 3 in 1 Soccer Trainer, available at <http://www.hayneedle.com/product/lionsports3in1soccertrainer.cfm>.
 Primed 7' X 5' Soccer Trainer, available at <http://www.dickssportinggoods.com/product/index/jsp?productId=20916406>.
 Webpage Download, chinatexnet2009, 2009, www.chinatexnet.com/Global/Buying-Leads/Buy-100-polyester-hexagonal-mesh-fabric-62202.html, 1 page.
 Webpage Download, Soccergoals2014, Various Screenshots of goals and netting, Dates vary, 10 pages.
 Webpage Download, Walmart2009, 2009, reviews.walmart.com/1336/11045440/mitre-6-x-4-3-in-1-soccer-trainer-reviews/reviews.htm, 2 pages.
 Webpage Download, Caseadenets2004, 2004, Cascadenets2004 web. archive.org/web/20040820182908/http://cascadenets.com/barrier_netting.php, 3 pages.
 Webpage Download. plasticmesh, 2008 web.archive.org/web/20080705083216/http://www.plasticmesh.net/plasticmesh/debris-safety-netting.html, 3 pages.
 Webpage Download, gourock, 2009, web.archive.org/web/20101115155306/http://www.gourock.com/hbns.html, 9 pages.
 Webpage Download, Badinotti, 2008, www.badinotti.com/how_to_measure_meshes.html, 14 pages.
 Webpage Download, CooleyGroup, 2009, http://cooleygroup.com/cooley_product/coolmesh, 6 pages.
 Webpage Download, Funtec, <http://www.funtec.co.uk/frames/beach-volleyball-frameset.html>, 2 pages.
 European Search Report dated May 13, 2016 in related European Patent Application No. 13839519.9.
 Soccer Innovations PK Pro—Snipers Net, <http://www.bsnsports.com/pk-pro-snipers-net>.
 European Search Report dated Jun. 13, 2018 in European Patent Application No. 13839519.9.

* cited by examiner

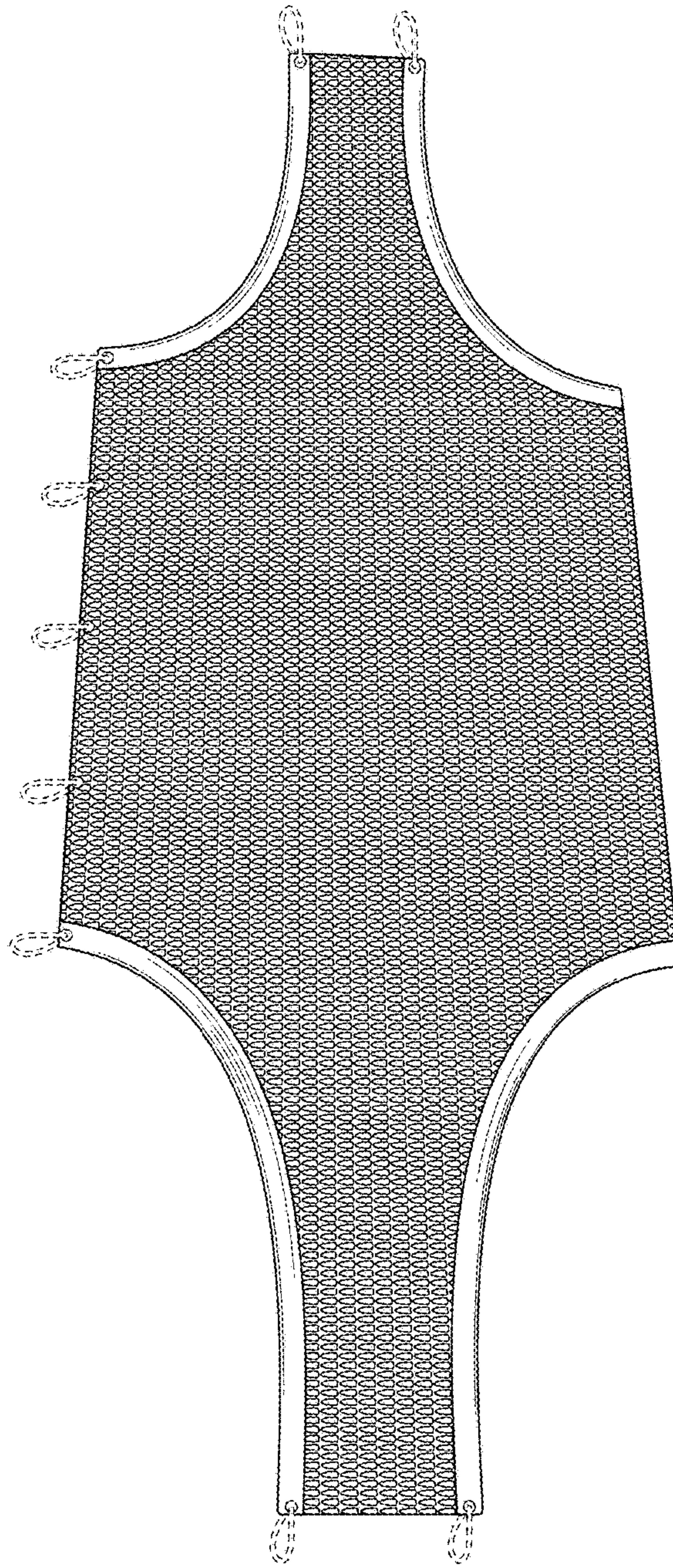


FIG. 1

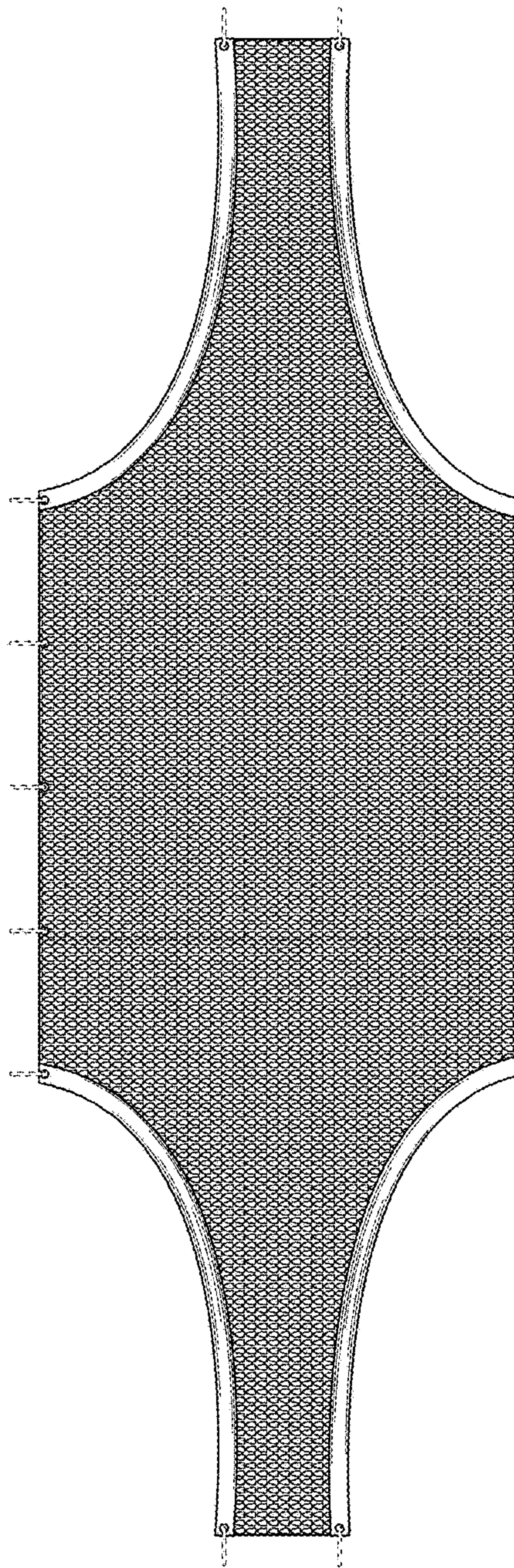


FIG. 2

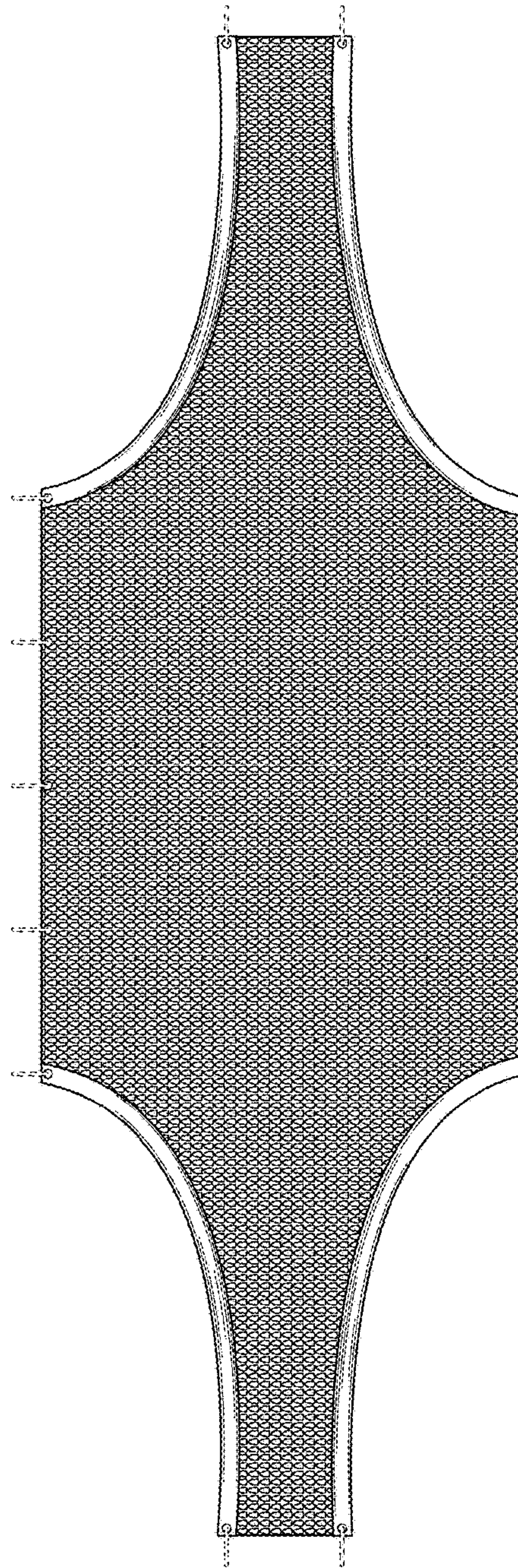


FIG. 3

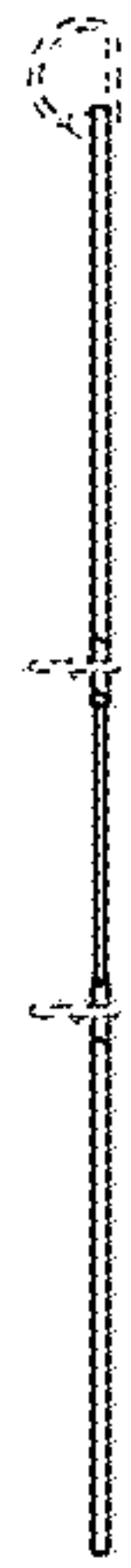


FIG. 4

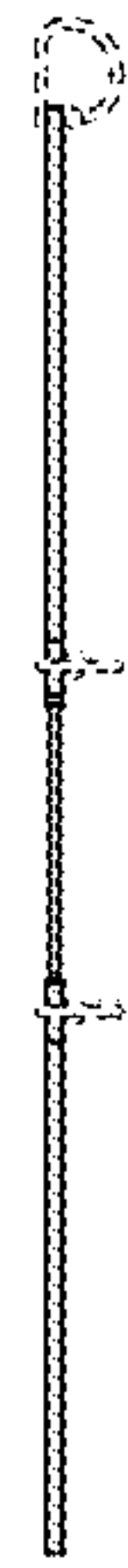


FIG. 5

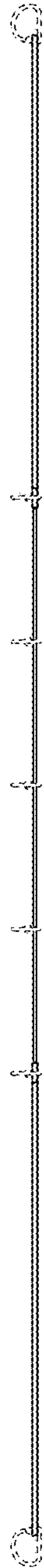


FIG. 6

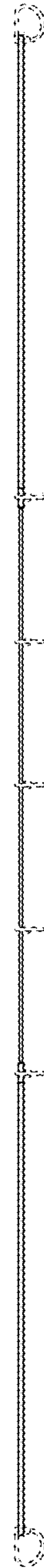


FIG. 7

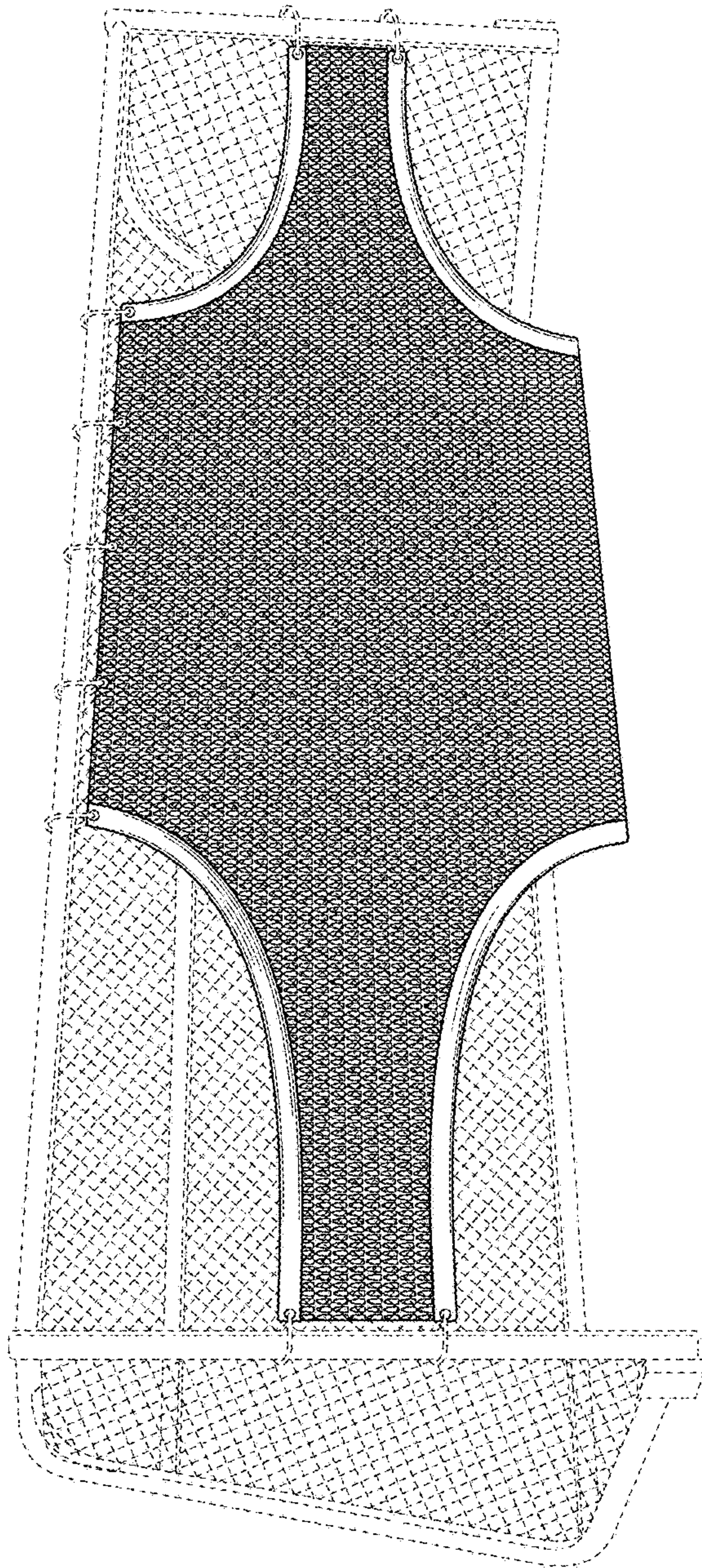


FIG. 8

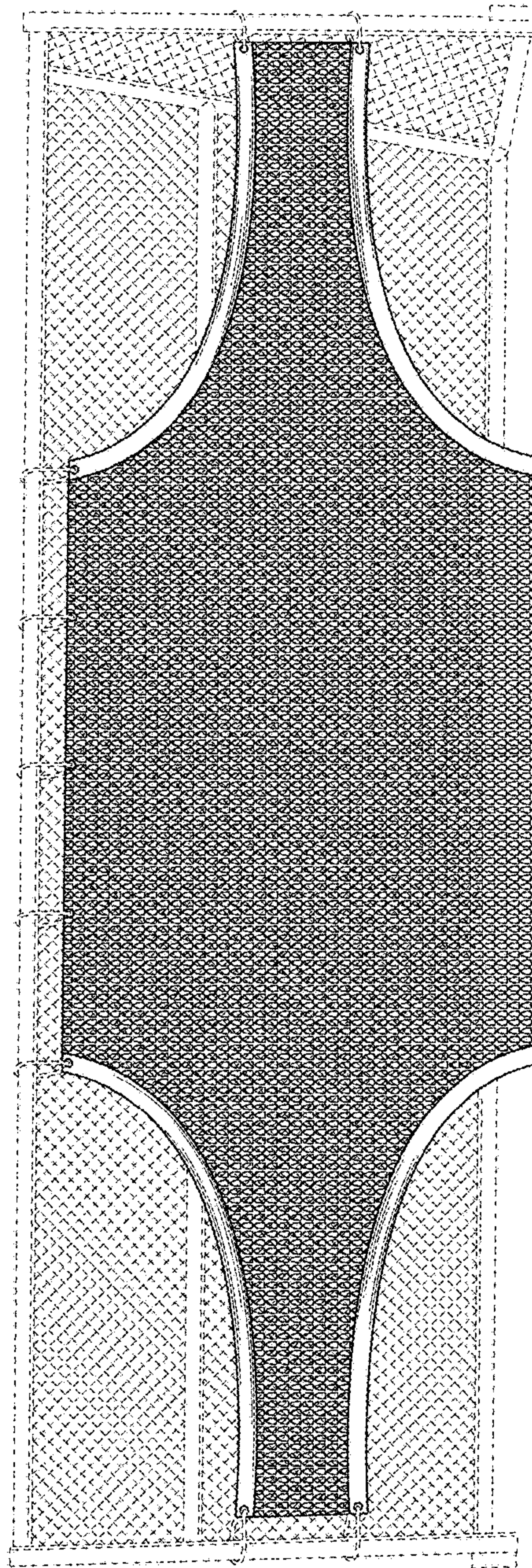


FIG. 9