



US00D847920S

(12) **United States Design Patent** (10) **Patent No.:** **US D847,920 S**
Lien (45) **Date of Patent:** **** *May 7, 2019**

- (54) **EXERCISE SLED**
- (71) Applicant: **USA Sports, Inc.**, Houston, TX (US)
- (72) Inventor: **Louis Lien**, Bellaire, TX (US)
- (73) Assignee: **USA Sports, Inc.**, Houston, TX (US)
- (*) Notice: This patent is subject to a terminal disclaimer.
- (**) Term: **15 Years**
- (21) Appl. No.: **29/552,984**
- (22) Filed: **Jan. 27, 2016**
- (51) **LOC (11) Cl.** **21-02**
- (52) **U.S. Cl.**
USPC **D21/691**
- (58) **Field of Classification Search**
USPC 482/105, 104, 106, 108, 100, 93, 27;
D21/94, 686, 691, 788, 698, 803, 801,
D21/760, 662, 680; D6/552; 441/66, 67,
441/131; D12/222
CPC A63B 21/0442; A63B 21/0552; A63B
21/0557; A63B 21/072; A63B 21/4035;
A63B 21/4037; A63B 21/4043; A63B
23/03525; A63B 23/03541; A63B
23/0355; A63B 23/0458; A63B 23/047;
A63B 5/00; A63B 69/0028
See application file for complete search history.

- D478,954 S * 8/2003 Forrest D21/788
 - D562,417 S * 2/2008 Noojin D21/698
 - D606,611 S * 12/2009 Rogers D21/698
 - D667,063 S * 9/2012 Thompson D21/686
 - 8,795,142 B2 * 8/2014 McClellan A63B 21/00072
482/104
 - 8,858,405 B2 * 10/2014 Agate A63B 21/0618
482/106
 - 9,186,538 B1 * 11/2015 Seen A63B 21/072
- (Continued)

OTHER PUBLICATIONS

Echo dog sled by Rogue dated no date given. Found online [Sep. 28, 2017] https://www.roguefitness.com/rogue-echo-dog-sled.*
(Continued)

Primary Examiner — Robert M. Spear
Assistant Examiner — Ryan Harvey

(57) **CLAIM**

The ornamental design for an exercise sled, as shown and described.

DESCRIPTION

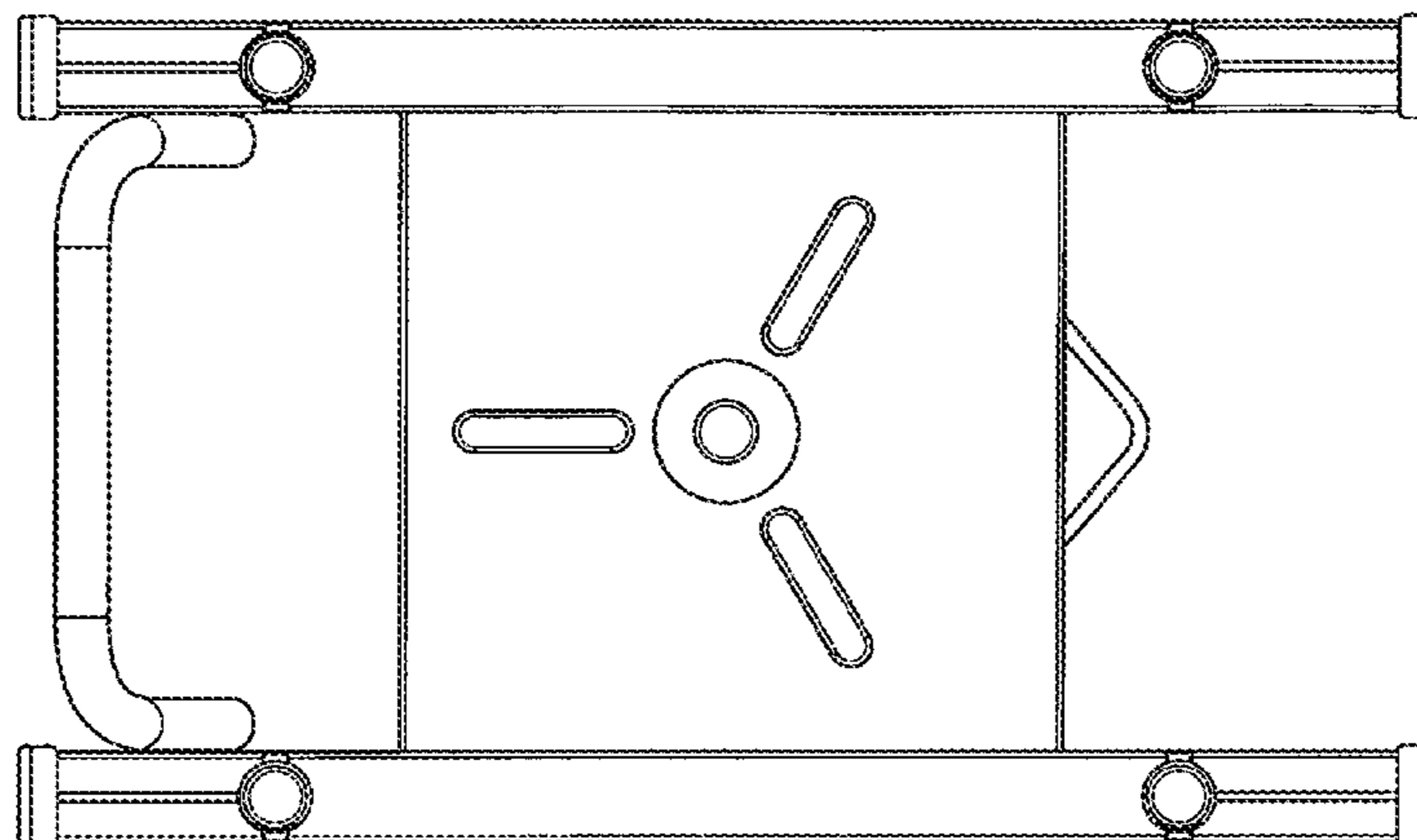
FIG. 1 is a top view of the design according to the invention. FIG. 2 is a bottom view of the design according to the invention. FIG. 3 is a right side view of the design according to the invention. FIG. 4 is a left side view of the design according to the invention. FIG. 5 is a front side view of the design according to the invention. FIG. 6 is a back side view of the design according to the invention. FIG. 7 is a perspective view of the design according to the invention; and, FIG. 8 is another perspective view of the design according to the invention.

1 Claim, 7 Drawing Sheets

(56) **References Cited**

U.S. PATENT DOCUMENTS

- 4,944,509 A * 7/1990 Snider A63B 21/065
482/105
- 5,090,696 A * 2/1992 Forrest, Sr. A63B 69/345
473/444
- 5,167,600 A * 12/1992 Baird A63B 21/065
482/100
- D466,963 S * 12/2002 Forrest D21/788
- D469,142 S * 1/2003 Forrest D21/788



(56)

References Cited

U.S. PATENT DOCUMENTS

9,192,803 B2 * 11/2015 Cayo A63B 21/0618
D786,581 S * 5/2017 Lien D6/552
9,643,040 B1 * 5/2017 Guerrero Diaz ... A63B 21/0004
2008/0312009 A1 * 12/2008 Gilman A63B 21/06
473/445
2011/0124474 A1 * 5/2011 Gilman A63B 21/0615
482/93
2011/0224051 A1 * 9/2011 Larish A63B 21/012
482/93
2012/0172155 A1 * 7/2012 Gilman A63B 69/00
473/447
2013/0172160 A1 * 7/2013 Poole A63B 21/0552
482/129
2014/0073491 A1 * 3/2014 Gilson A63B 21/06
483/93
2015/0335938 A1 * 11/2015 Seen A63B 21/072
482/105

OTHER PUBLICATIONS

Slice Sled by Rogue dated no date given. Found online [Sep. 28, 2017] <https://www.roguefitness.com/rogue-slice-sled>.*

Butcher V2 by Rogue dated no date given. Found online [Sep. 28, 2017] <https://www.roguefitness.com/rogue-butcher>.*

Fat Boy Sled by Rogue dated no date given. Found online [Sep. 28, 2017] <https://www.roguefitness.com/rogue-sleds>.*

“E” Sled by Rogue dated no date given. Found online [Sep. 28, 2017] <https://www.roguefitness.com/s-35e-rogue-e-sled>.*

Sled by VTX dated no date given. Found online [Sep. 28, 2017] <http://www.troybarbell.com/items.aspx?brand=vtx&cat=sled&catnumber=1&item=448&lang=>.*

* cited by examiner

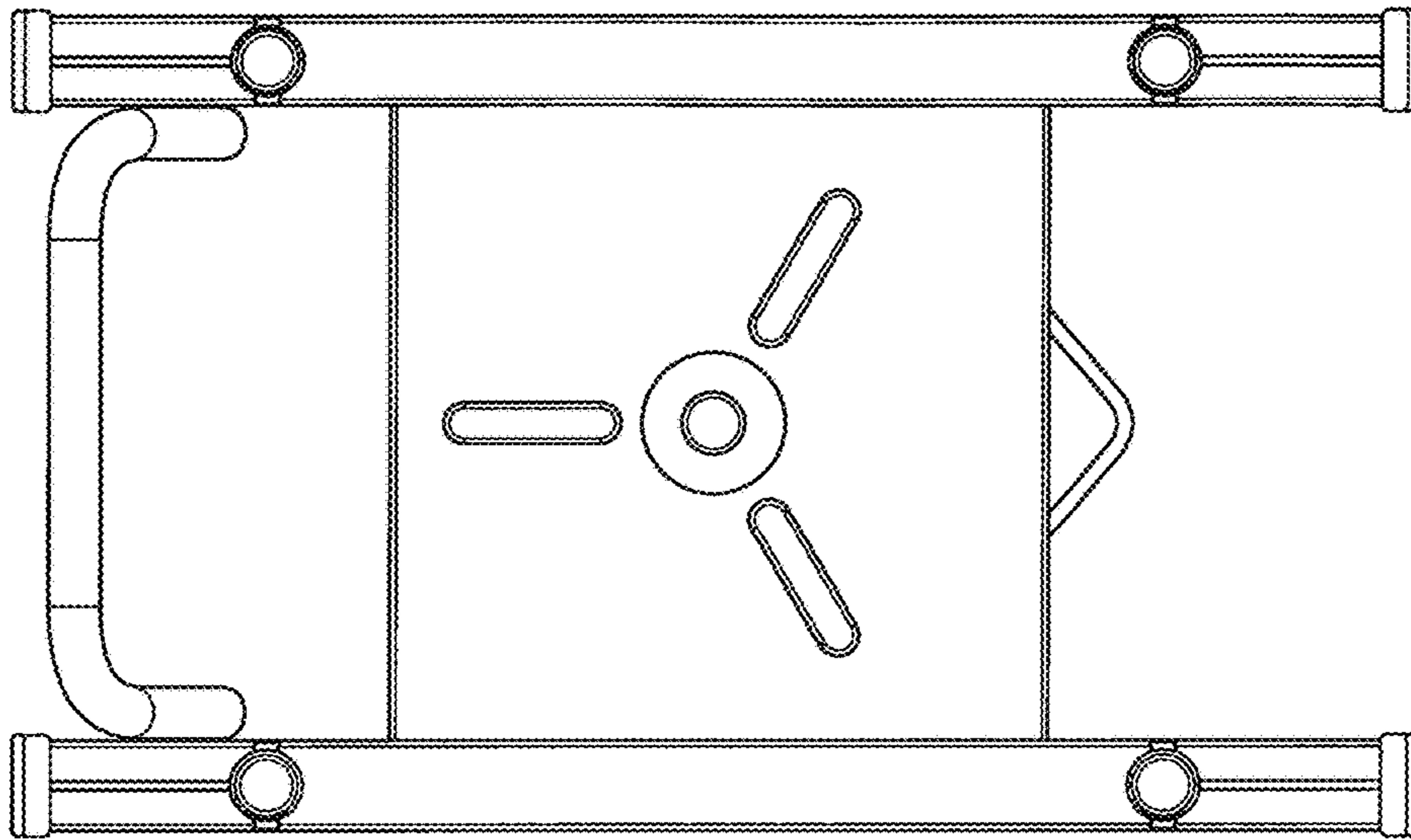


FIG. 1

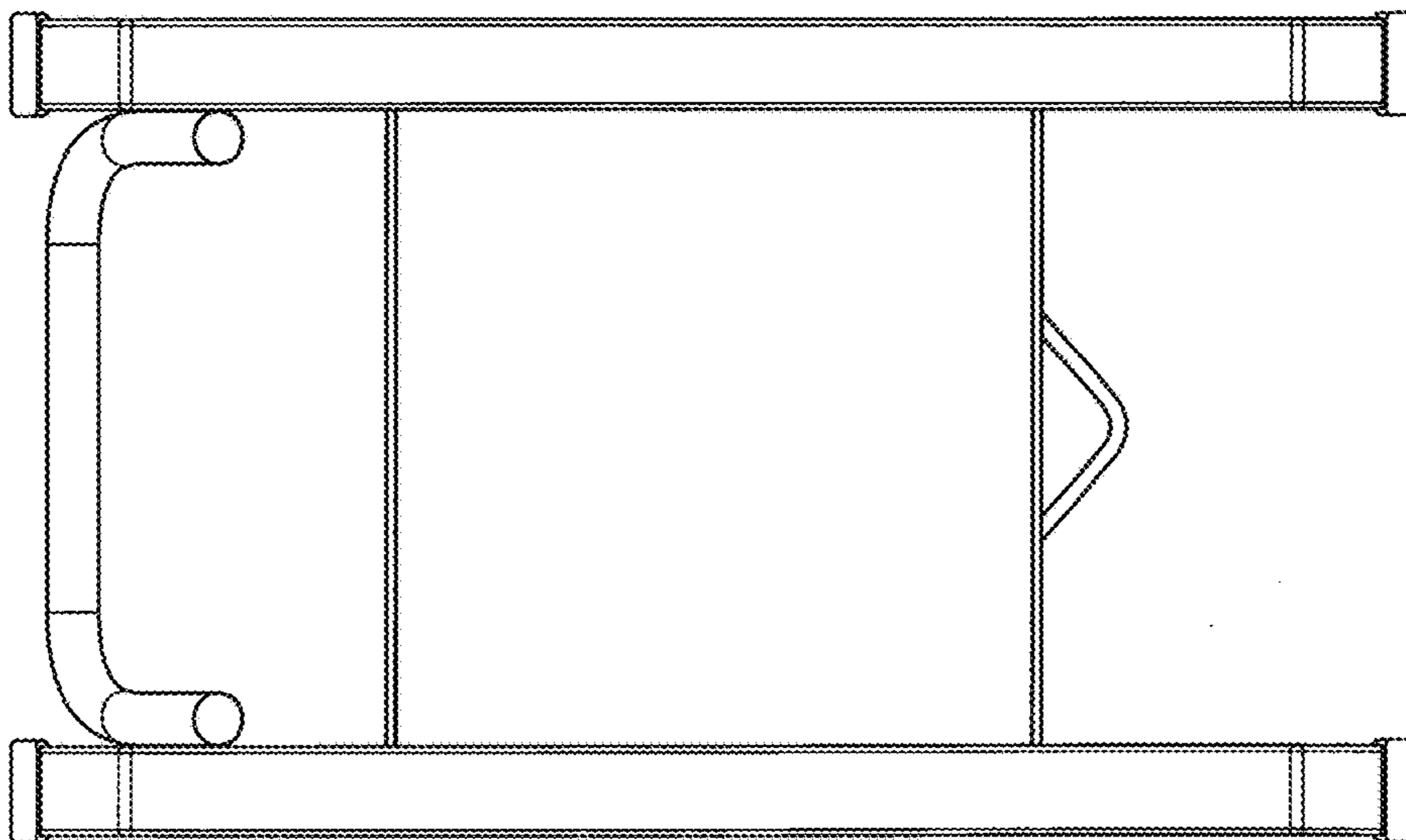


FIG. 2

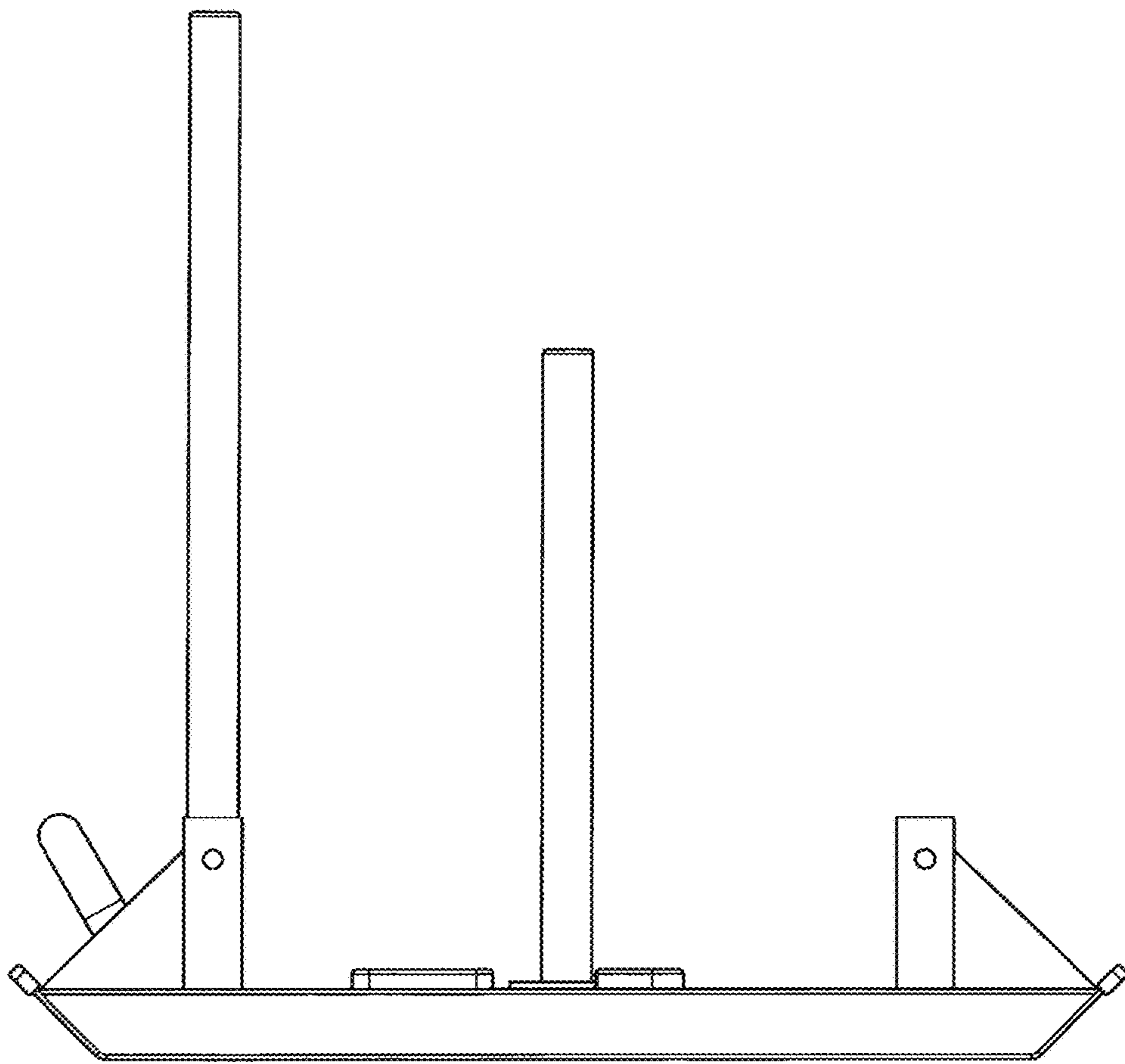


FIG. 3

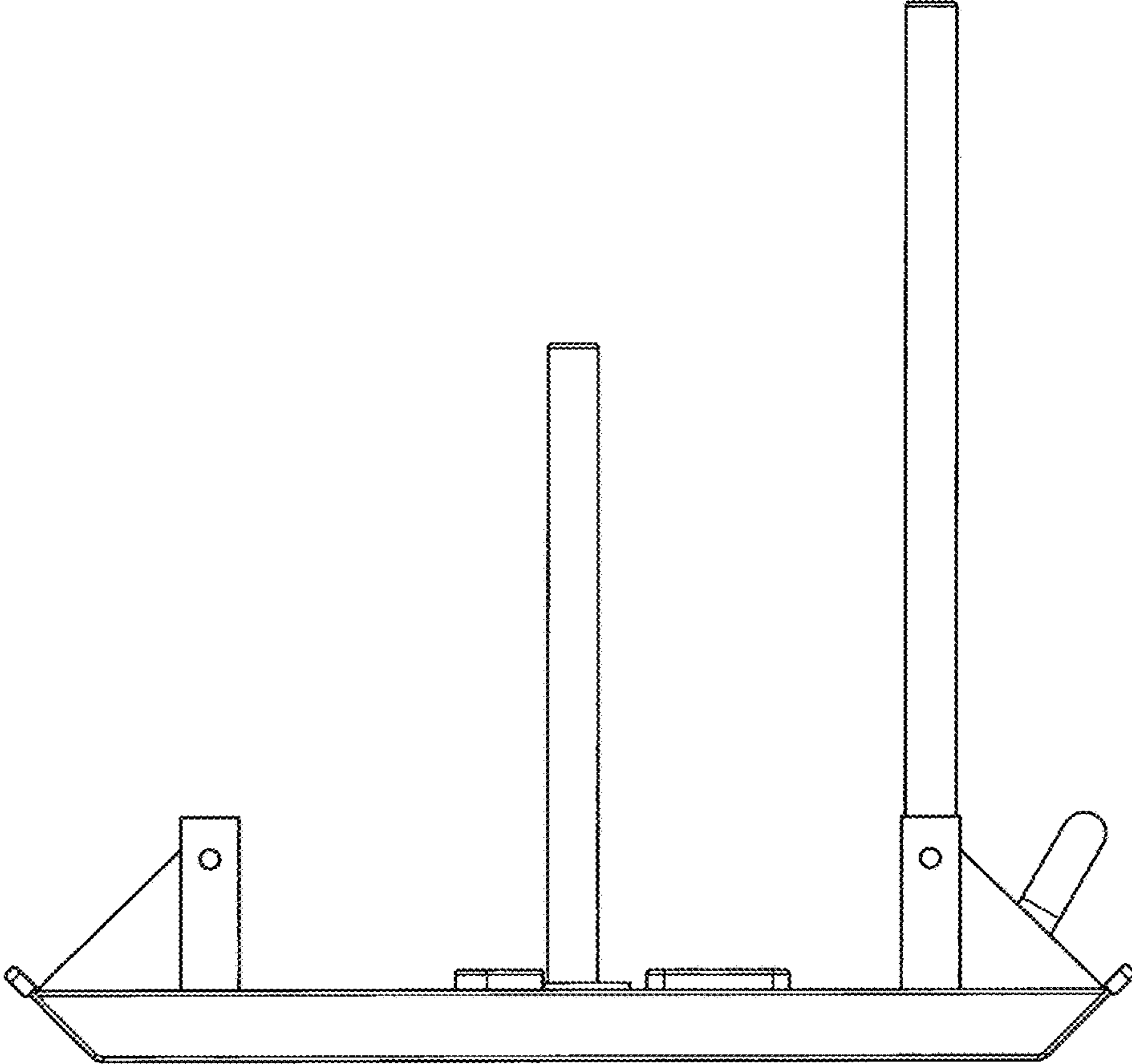


FIG. 4

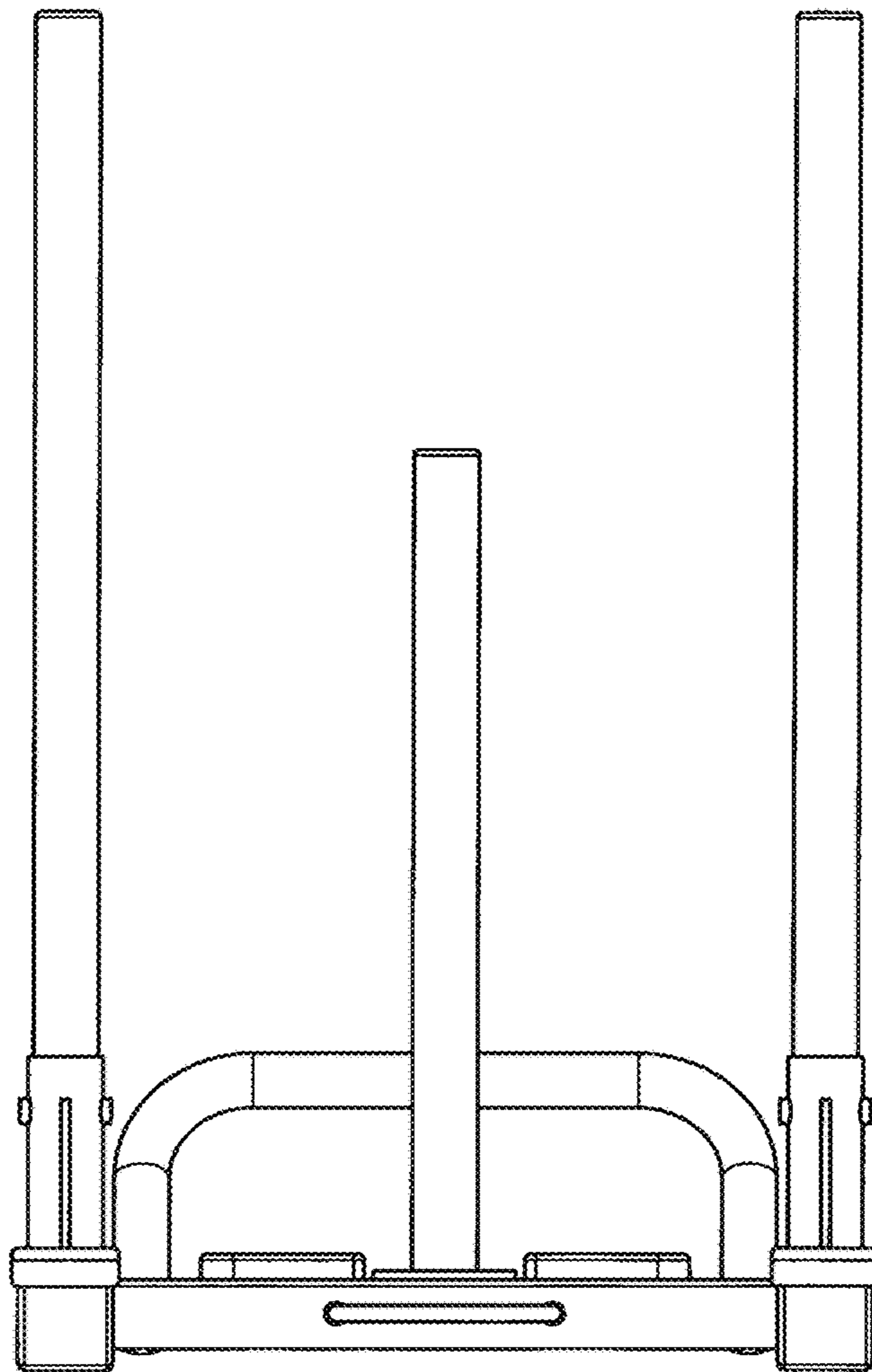


FIG. 5

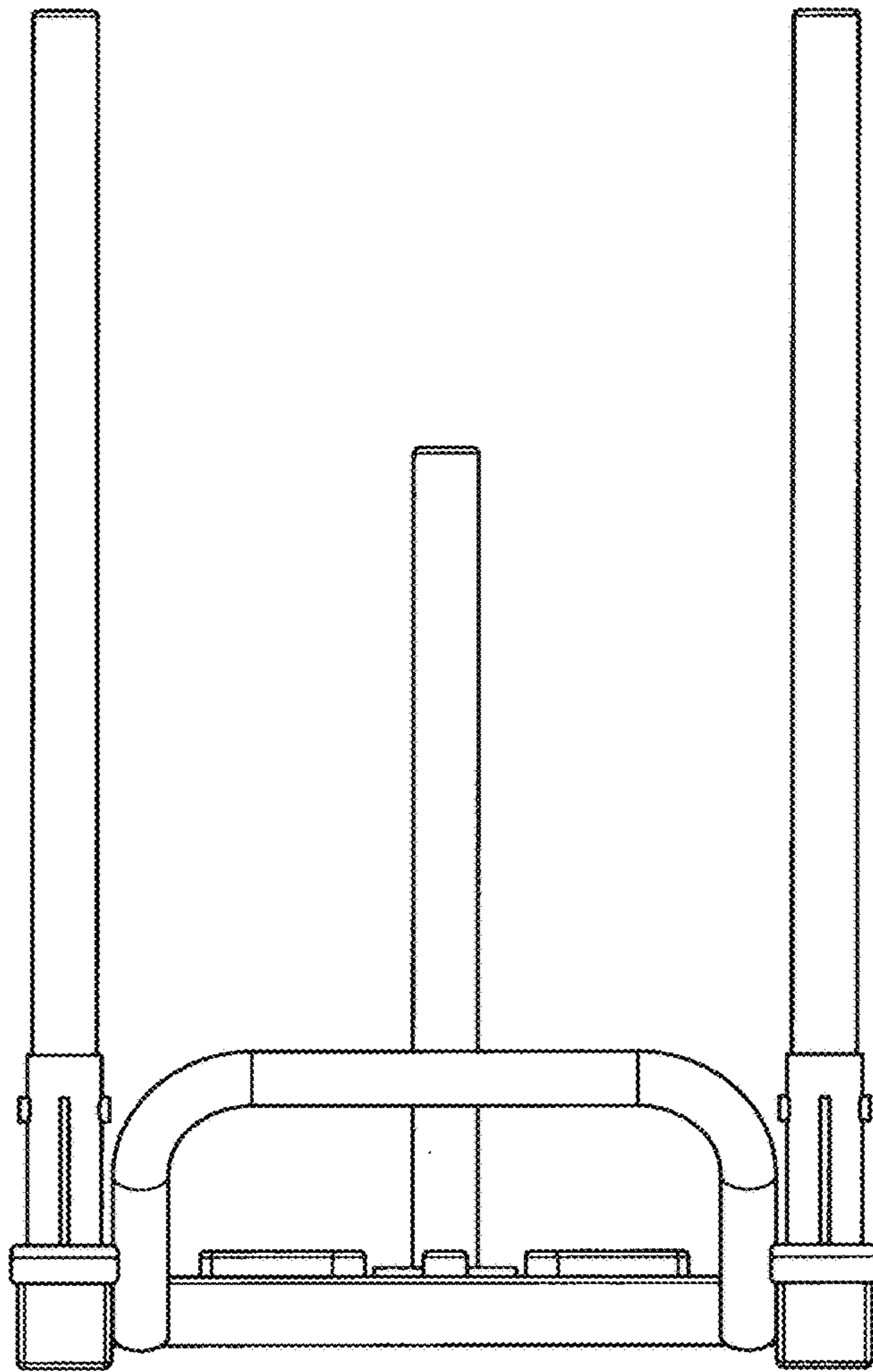


FIG. 6

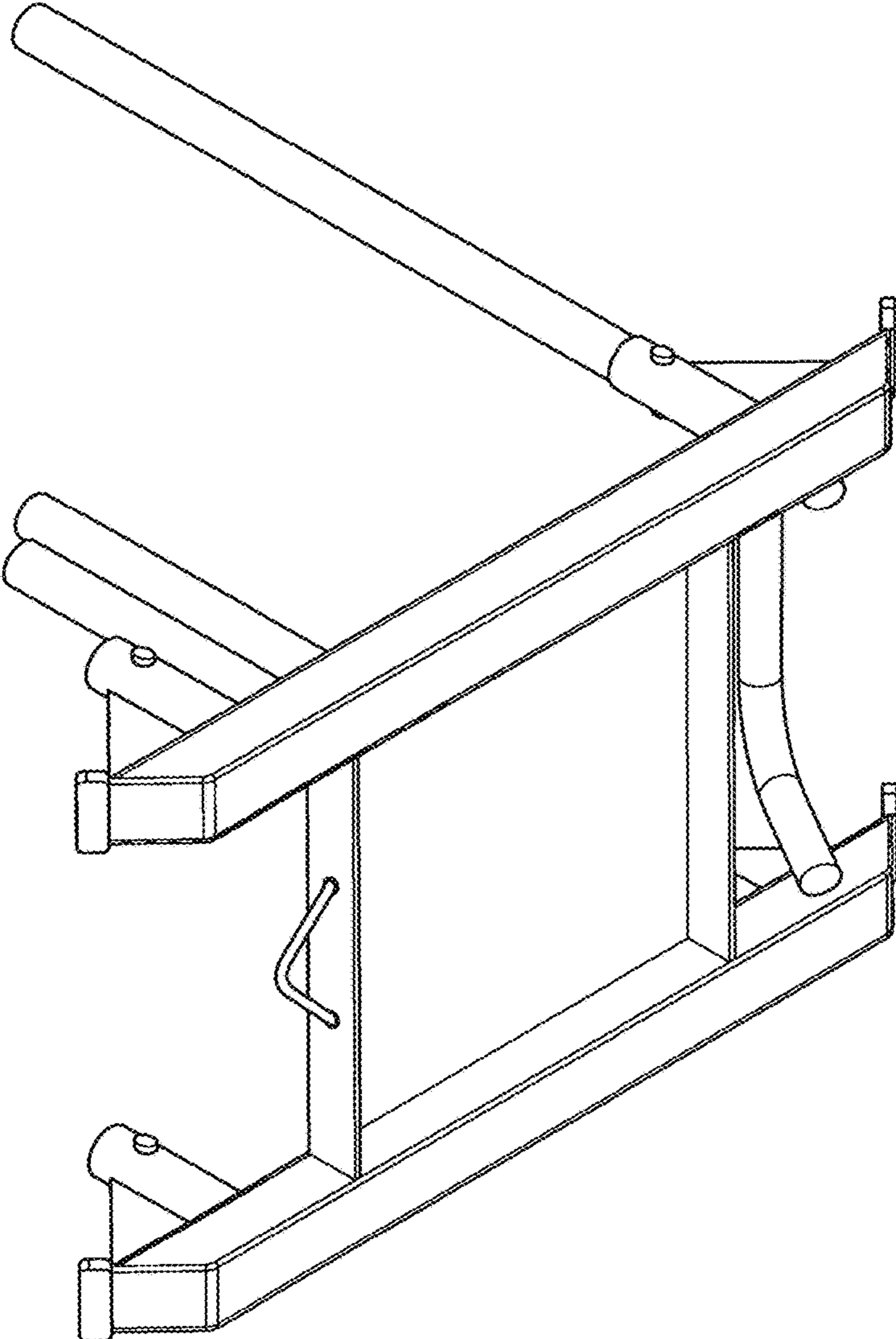


FIG. 7

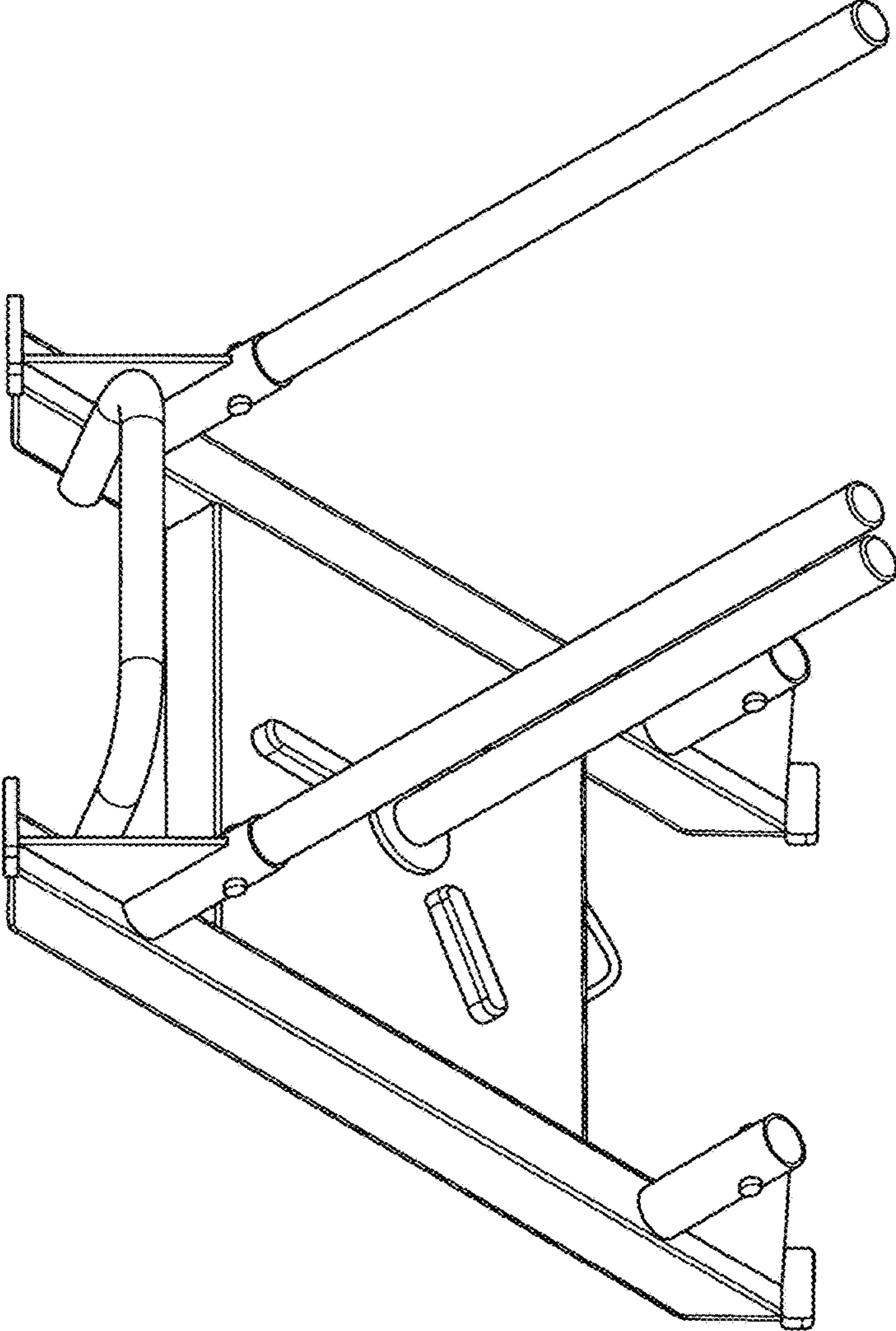


FIG. 8