



US00D847919S

(12) **United States Design Patent** (10) **Patent No.:** **US D847,919 S**  
**Jhaveri** (45) **Date of Patent:** **\*\* May 7, 2019**

(54) **WEIGHT LIFTING HAND GRIP**

19/01582; A41D 13/082; A41D 19/01547;  
A41D 13/081

(71) Applicant: **Kunal Jhaveri**, Salem, MA (US)

See application file for complete search history.

(72) Inventor: **Kunal Jhaveri**, Salem, MA (US)

(56) **References Cited**

(\*\*) Term: **15 Years**

U.S. PATENT DOCUMENTS

(21) Appl. No.: **29/613,449**

1,692,201 A \* 11/1928 Denman ..... A63B 60/00  
473/205  
D229,253 S \* 11/1973 Angelo ..... D29/113  
D256,401 S \* 8/1980 Adams ..... D29/113  
4,754,499 A \* 7/1988 Pirie ..... A41D 13/082  
2/20  
5,219,636 A \* 6/1993 Golz ..... B66C 1/18  
139/383 R  
5,479,660 A \* 1/1996 Najac ..... A41D 13/082  
2/161.1  
6,564,385 B2 \* 5/2003 McCarthy ..... A63B 21/4019  
2/16  
6,834,397 B1 \* 12/2004 Murphy ..... A63B 69/0066  
2/161.1  
D502,573 S \* 3/2005 Jones ..... D29/113  
6,898,802 B1 \* 5/2005 Suarkeo ..... A41D 13/082  
2/20  
D525,323 S \* 7/2006 Dwars ..... D21/662

(22) Filed: **Aug. 10, 2017**

**Related U.S. Application Data**

(63) Continuation-in-part of application No. 14/308,775,  
filed on Jun. 19, 2014, now abandoned.

(51) **LOC (11) Cl.** ..... **21-02**

(52) **U.S. Cl.**

USPC ..... **D21/684**

(58) **Field of Classification Search**

USPC ..... D8/396, 303; D3/221, 215; D29/124,  
D29/100, 121.2, 117.2, 117.1, 113, 120.1,  
D29/101.1; D21/797, 791, 698, 774, 694,  
D21/684, 662, 683, 682; D2/617, 619,  
D2/610, 902, 627; D25/119; D24/190,  
D24/189, 169; D14/334; D12/133, 125;  
D11/5, 200; D10/68; 602/62, 30, 28, 27,  
602/26, 21, 20; 482/93, 50, 23, 92, 139,  
482/129, 121, 106; 473/409, 205; 2/69,  
2/338, 20, 170, 161.6, 161.1, 161.4, 16,  
2/259, 125

CPC ..... A63B 21/0442; A63B 21/0552; A63B  
71/141; A63B 23/16; A63B 21/4019;  
A63B 21/4043; A63B 21/4021; A63B  
21/4025; A63B 21/0023; A63B 21/1645;  
A63B 2023/006; A63B 21/16; A41D

(Continued)

**OTHER PUBLICATIONS**

Bear Grips by Bear Grips dated no date given. Found online [Dec. 14, 2018]. [https://bear-grip-test.myshopify.com/products/test.\\*](https://bear-grip-test.myshopify.com/products/test.*)

*Primary Examiner* — Ryan Harvey

(74) *Attorney, Agent, or Firm* — Bay State IP, LLC

(57)

**CLAIM**

I claim the ornamental design for a weight lifting hand grip,  
as shown and described.

**DESCRIPTION**

FIG. 1 is a top side perspective view showing my new design;  
FIG. 2 is a top plan view thereof;  
FIG. 3 is a bottom view thereof;  
FIG. 4 is a side view thereof;

(Continued)

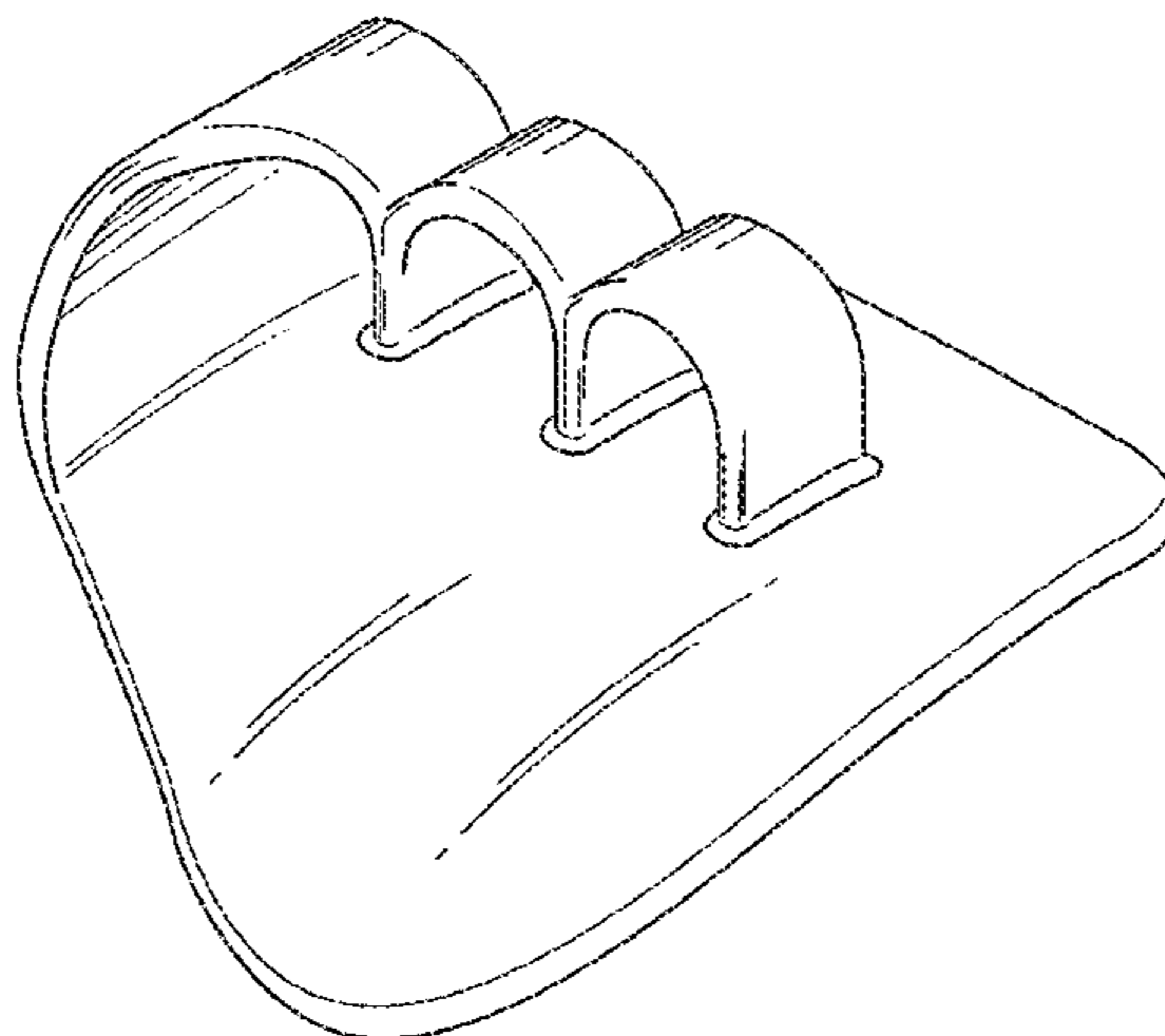


FIG. 5 is a side view thereof;  
 FIG. 6 is a front view thereof; and,  
 FIG. 7 is a back view thereof.

**1 Claim, 3 Drawing Sheets**

(56)

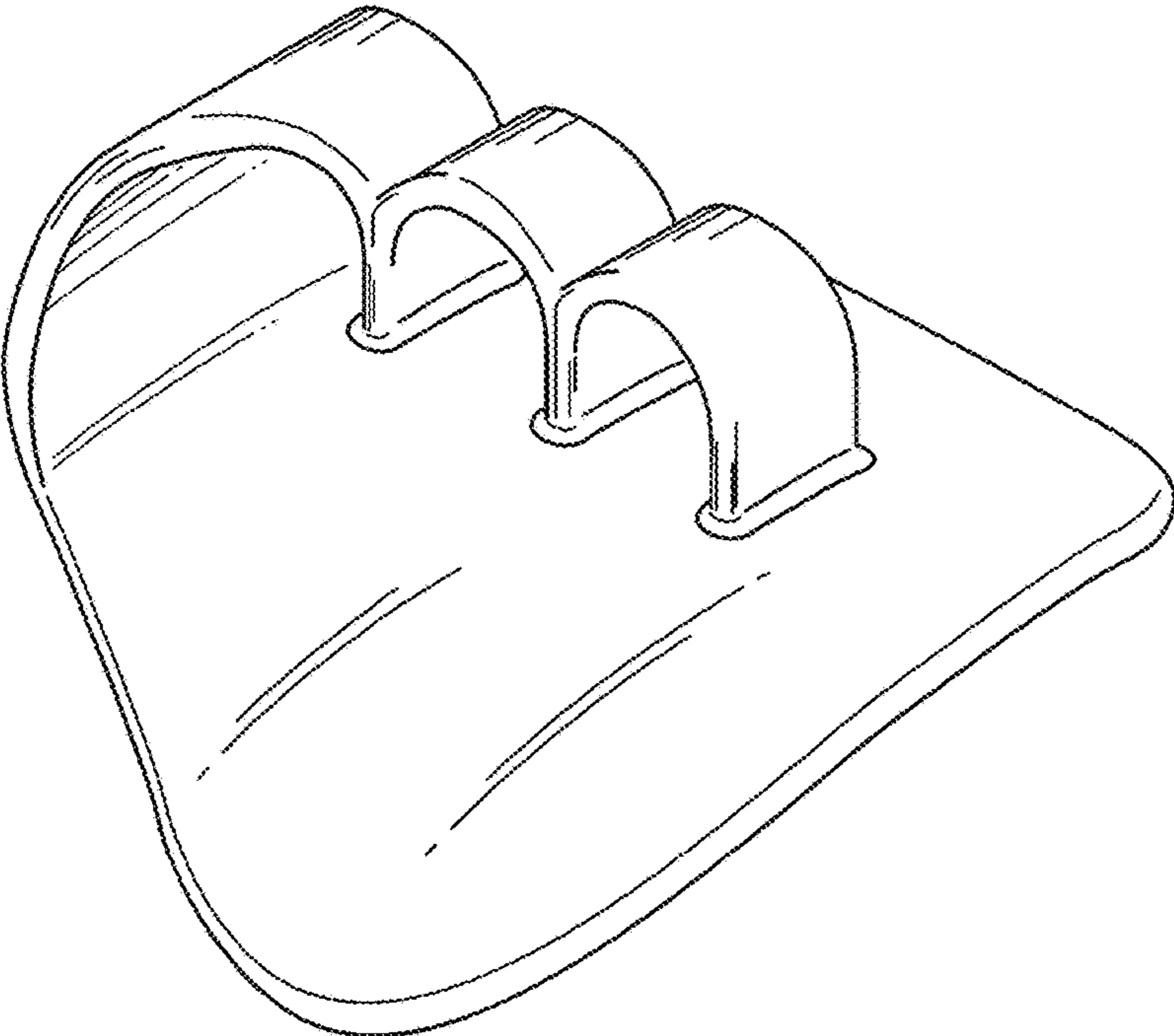
**References Cited**

U.S. PATENT DOCUMENTS

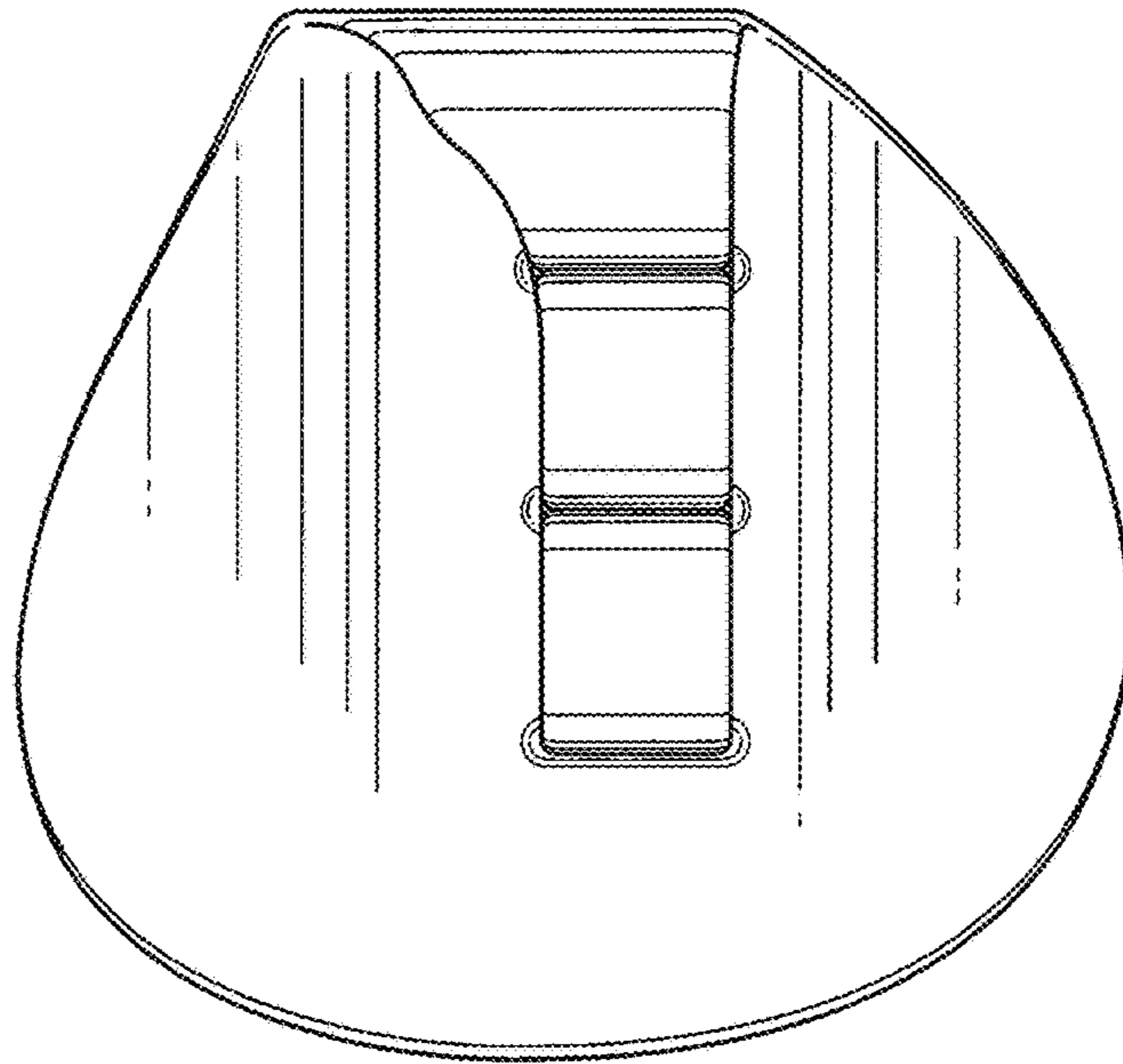
D559,504 S \* 1/2008 Wilkenfeld ..... D2/902  
 D623,851 S \* 9/2010 Clayton ..... D3/221  
 7,856,739 B2 \* 12/2010 Terlizzi ..... A43B 5/12  
 36/8.3  
 D654,127 S \* 2/2012 Blackstock ..... D21/694  
 8,887,313 B2 \* 11/2014 McGuin ..... A61F 5/0111  
 2/16  
 8,998,153 B2 \* 4/2015 Lucas ..... A47B 21/0371  
 2/16

9,380,817 B1 \* 7/2016 Drake ..... A41D 13/082  
 2003/0148861 A1 \* 8/2003 McBride ..... A63B 21/4019  
 482/92  
 2008/0120755 A1 \* 5/2008 Ingram ..... A63B 21/4001  
 2/20  
 2010/0043113 A1 \* 2/2010 Clark ..... A41D 13/082  
 2/20  
 2012/0322626 A1 \* 12/2012 Meimaroglou .. A63B 23/03541  
 482/92  
 2014/0373244 A1 \* 12/2014 Jhaveri ..... A63B 71/14  
 2/20  
 2014/0373247 A1 \* 12/2014 Swaby ..... A63B 71/14  
 2/69  
 2015/0072579 A1 \* 3/2015 Jack ..... A63B 69/00  
 441/57  
 2016/0074740 A1 \* 3/2016 Sekhon ..... A63B 71/141  
 2/161.1  
 2016/0206914 A1 \* 7/2016 Zaki ..... A63B 21/0552  
 2017/0202282 A1 \* 7/2017 Dwars ..... A41D 13/081

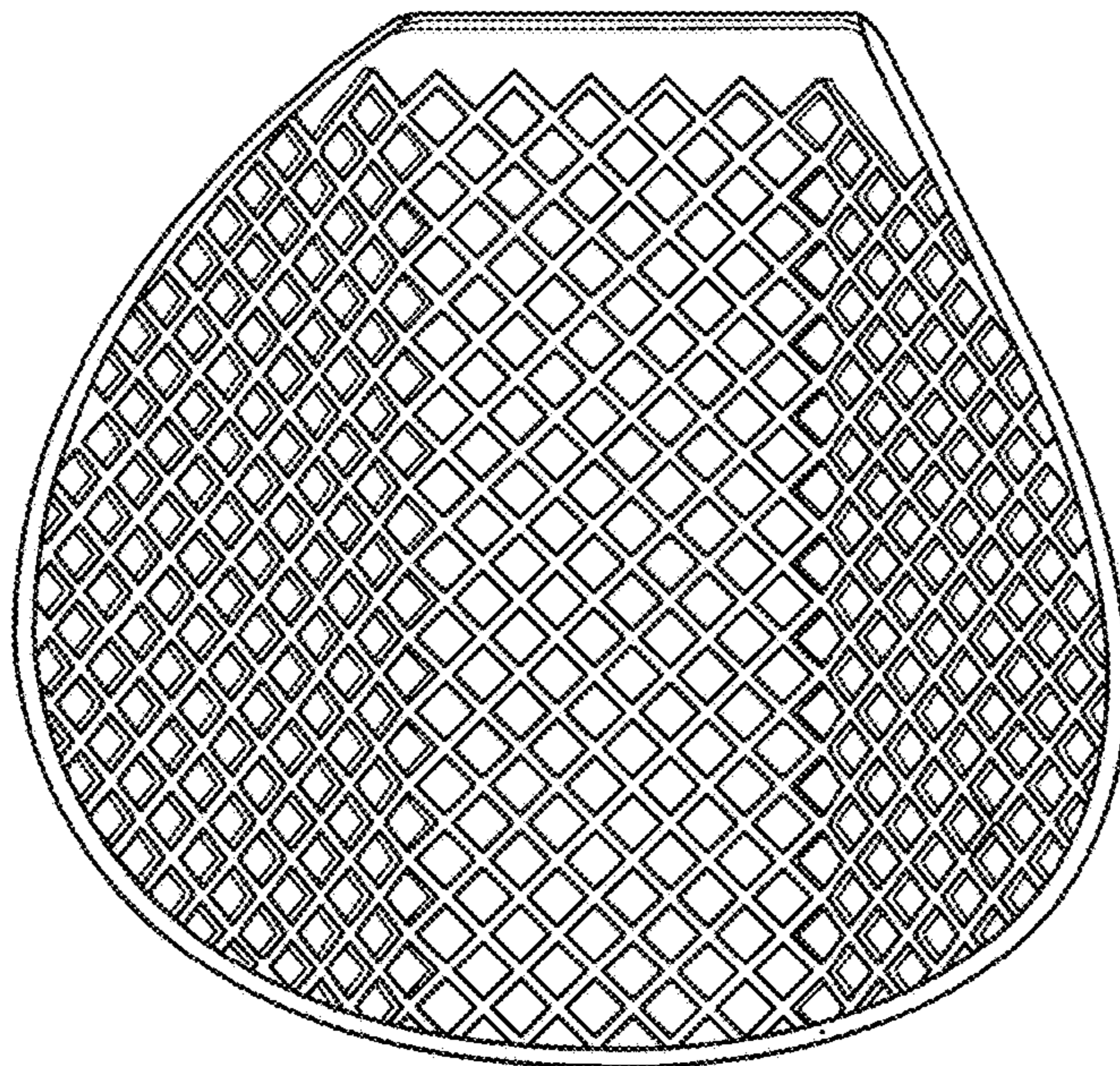
\* cited by examiner



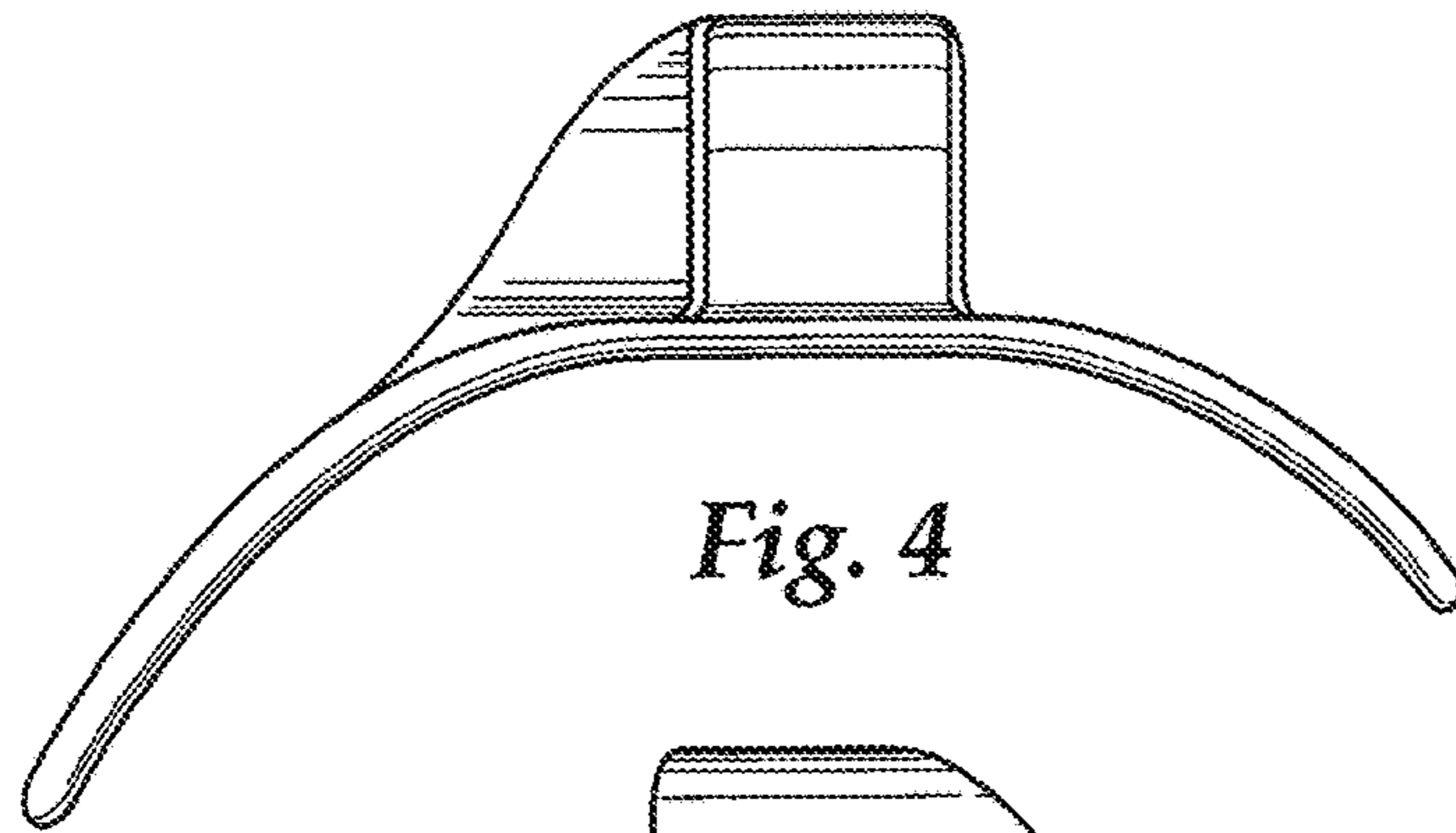
*Fig. 1*



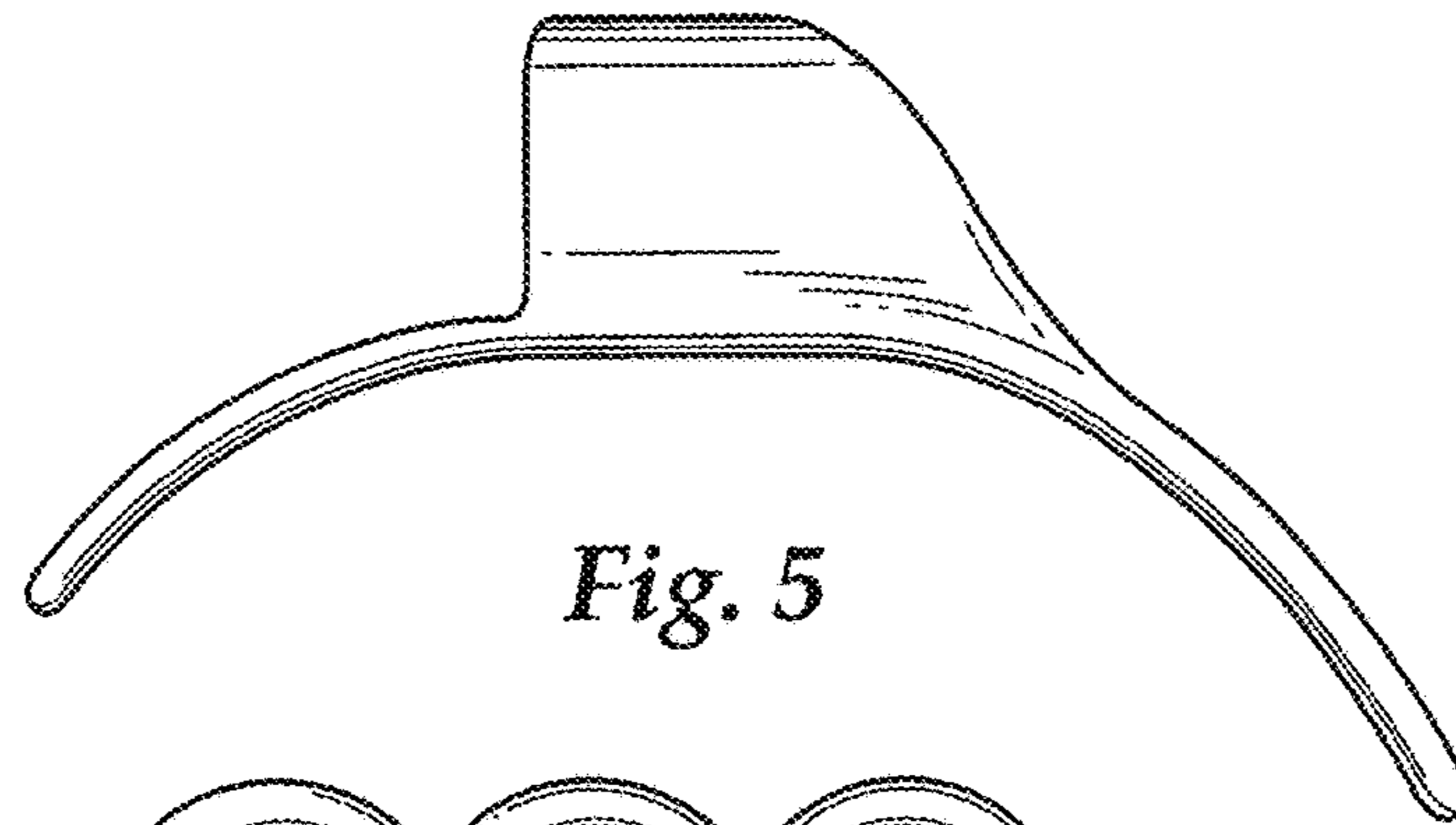
*Fig. 2*



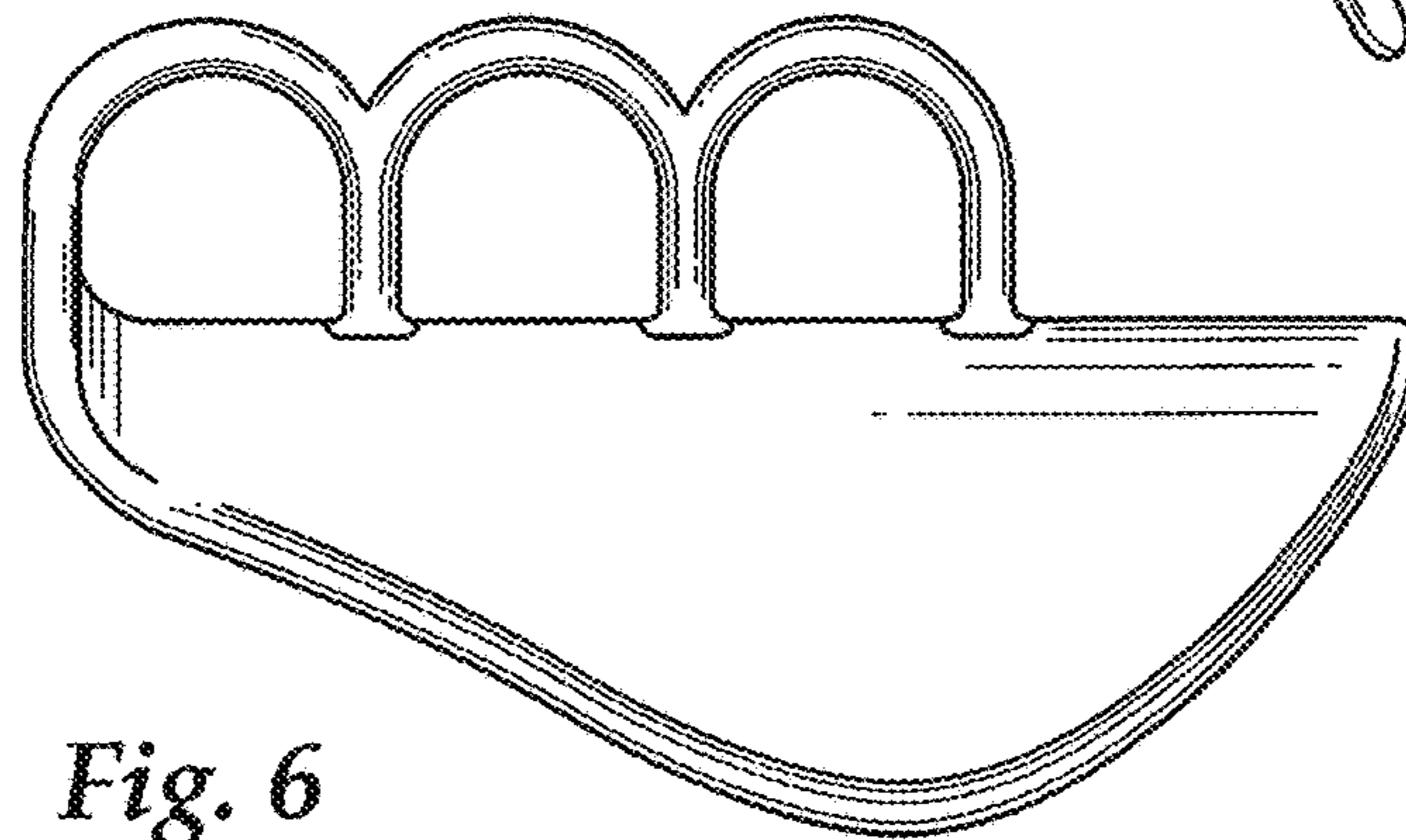
*Fig. 3*



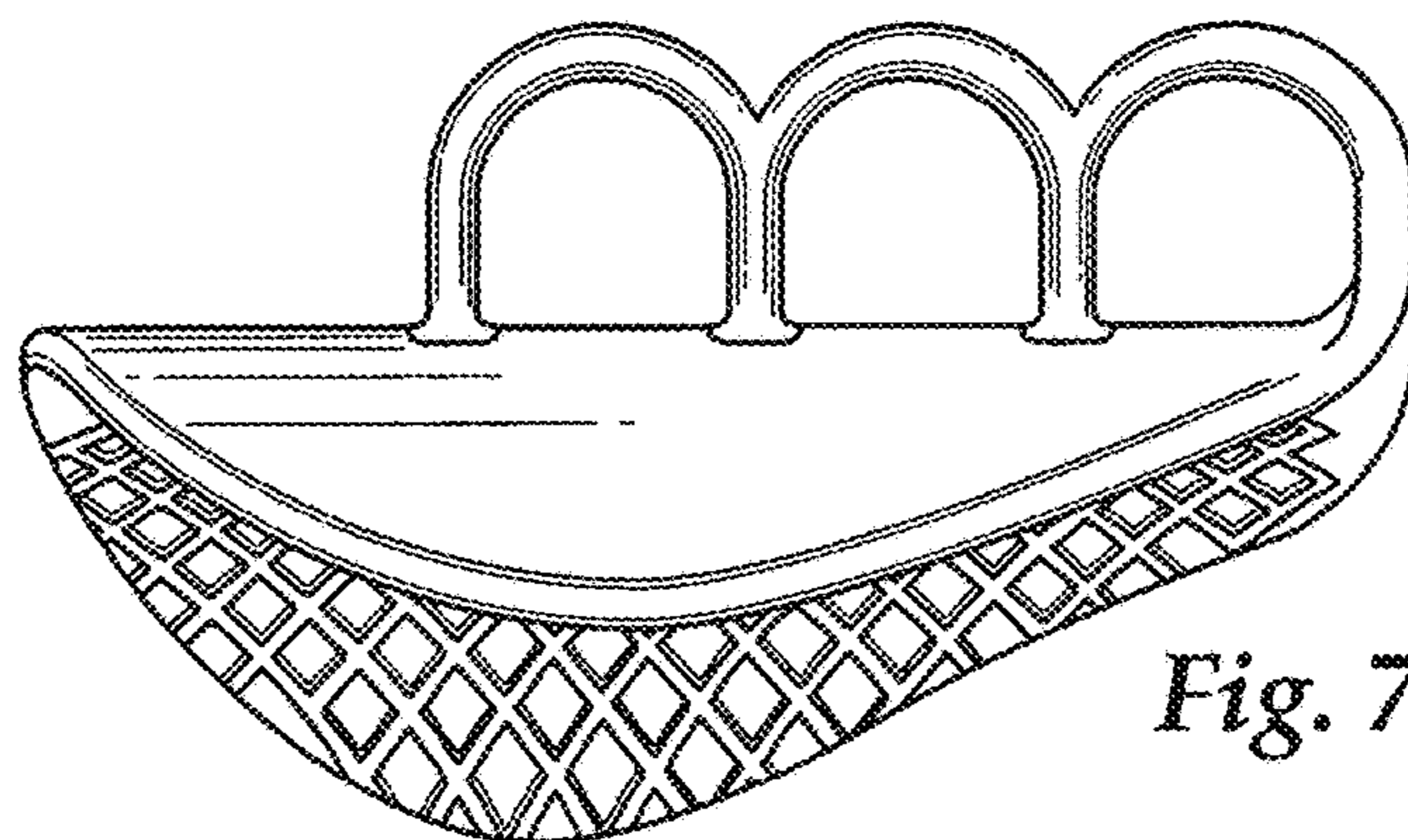
*Fig. 4*



*Fig. 5*



*Fig. 6*



*Fig. 7*