



US00D847915S

(12) **United States Design Patent**
Dawson

(10) **Patent No.:** **US D847,915 S**

(45) **Date of Patent:** **** May 7, 2019**

(54) **TOY FIGHTER**

(71) Applicant: **MerchSource, LLC**, Irvine, CA (US)

(72) Inventor: **Curtis L. Dawson**, Bonney Lake, WA (US)

(73) Assignee: **MerchSource, LLC**, Irvine, CA (US)

(**) Term: **15 Years**

(21) Appl. No.: **29/578,500**

(22) Filed: **Sep. 22, 2016**

(51) **LOC (11) Cl.** **21-01**

(52) **U.S. Cl.**
USPC **D21/621**

(58) **Field of Classification Search**
USPC D21/621, 645, 648, 649
CPC A63B 69/34; A63B 69/06
See application file for complete search history.

(56) **References Cited**

U.S. PATENT DOCUMENTS

2,909,370	A *	10/1959	Fortney	A63B 69/34 223/66
3,250,533	A *	5/1966	Nicholson	A63B 69/34 40/419
3,888,481	A *	6/1975	Adams, Jr.	A63B 69/00 434/247
4,088,315	A *	5/1978	Schemmel	A63B 69/34 482/4
D269,882	S *	7/1983	Leverton	D19/59
D283,148	S *	3/1986	Coyne	D20/31
5,700,230	A *	12/1997	Cardona	A63B 69/34 482/83

6,110,079	A *	8/2000	Luedke	A63B 24/0062 446/268
6,464,622	B1 *	10/2002	Clark	A63B 24/0021 482/1
7,131,917	B2 *	11/2006	Spencer	A63B 21/0058 473/444
7,658,689	B2 *	2/2010	Crook, II	A63B 69/345 473/422
8,721,476	B2 *	5/2014	Mayers	A63B 69/0071 473/447
9,586,120	B1 *	3/2017	Sotelo	A63B 69/32

* cited by examiner

Primary Examiner — Garth Rademaker

Assistant Examiner — Melvin L Davis

(74) *Attorney, Agent, or Firm* — Avyno Law P.C.

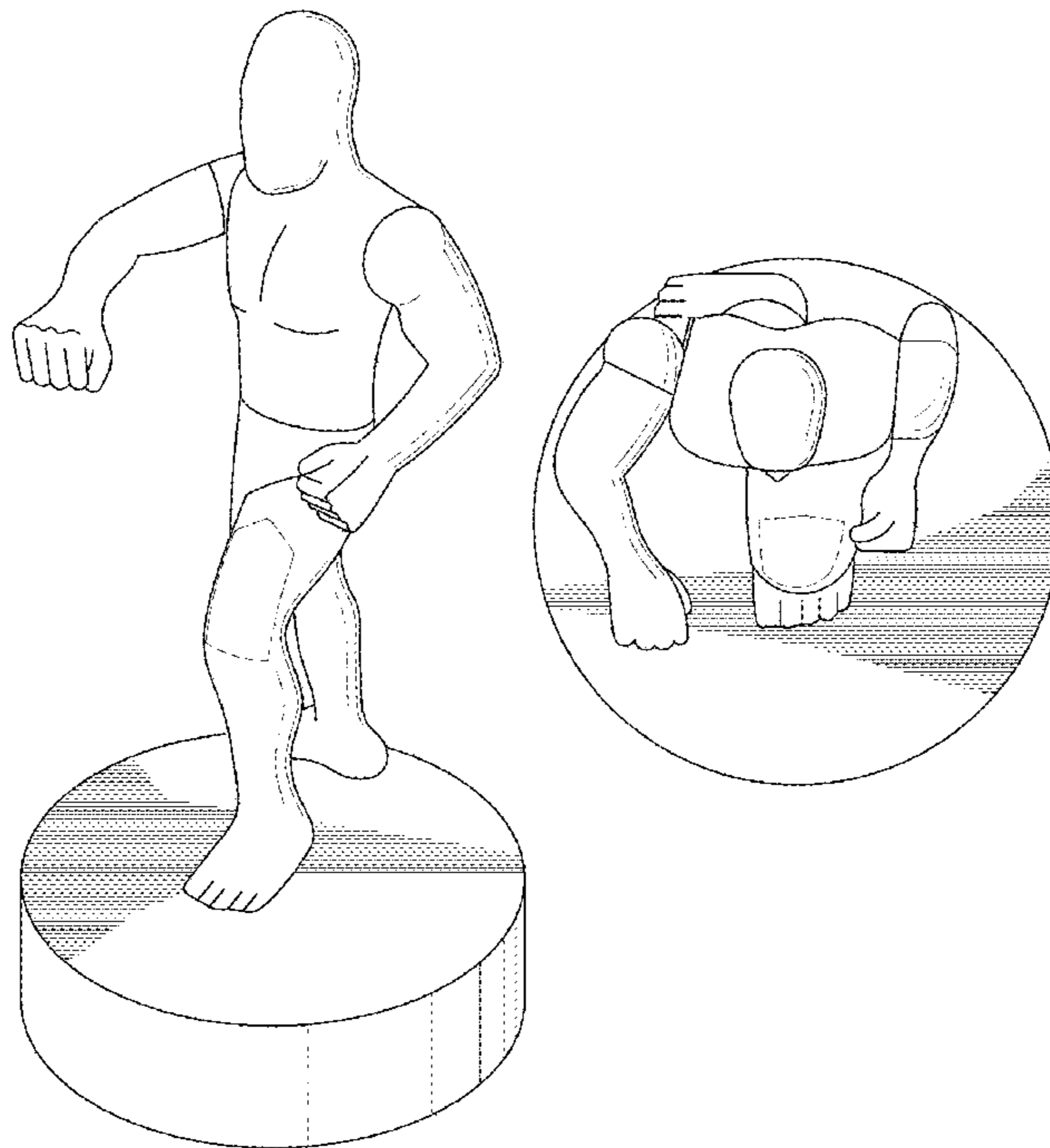
(57) **CLAIM**

I claim the ornamental design for a toy fighter, as shown and described.

DESCRIPTION

FIG. 1 is a perspective view of a toy fighter.
 FIG. 2 is a front view of the toy fighter of FIG. 1.
 FIG. 3 is a rear view of the toy fighter of FIG. 1.
 FIG. 4 is a side view of the right side of the toy fighter of FIG. 1.
 FIG. 5 is a side view of the left side of the toy fighter of FIG. 1.
 FIG. 6 is a top view of the toy fighter of FIG. 1; and,
 FIG. 7 is a bottom view of the toy fighter of FIG. 1.
 The broken lines depict portions of the article that form no part of the claimed design.

1 Claim, 6 Drawing Sheets



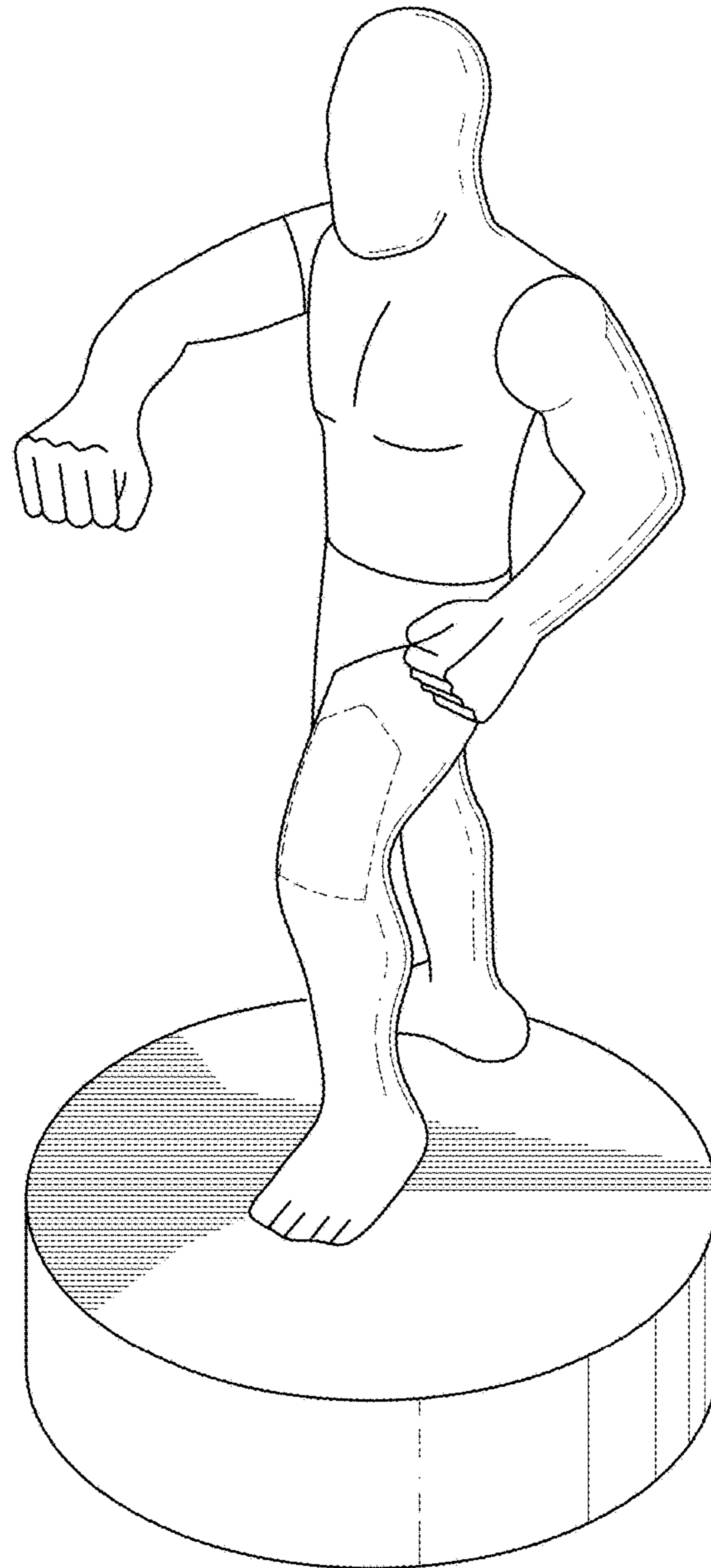


FIG. 1

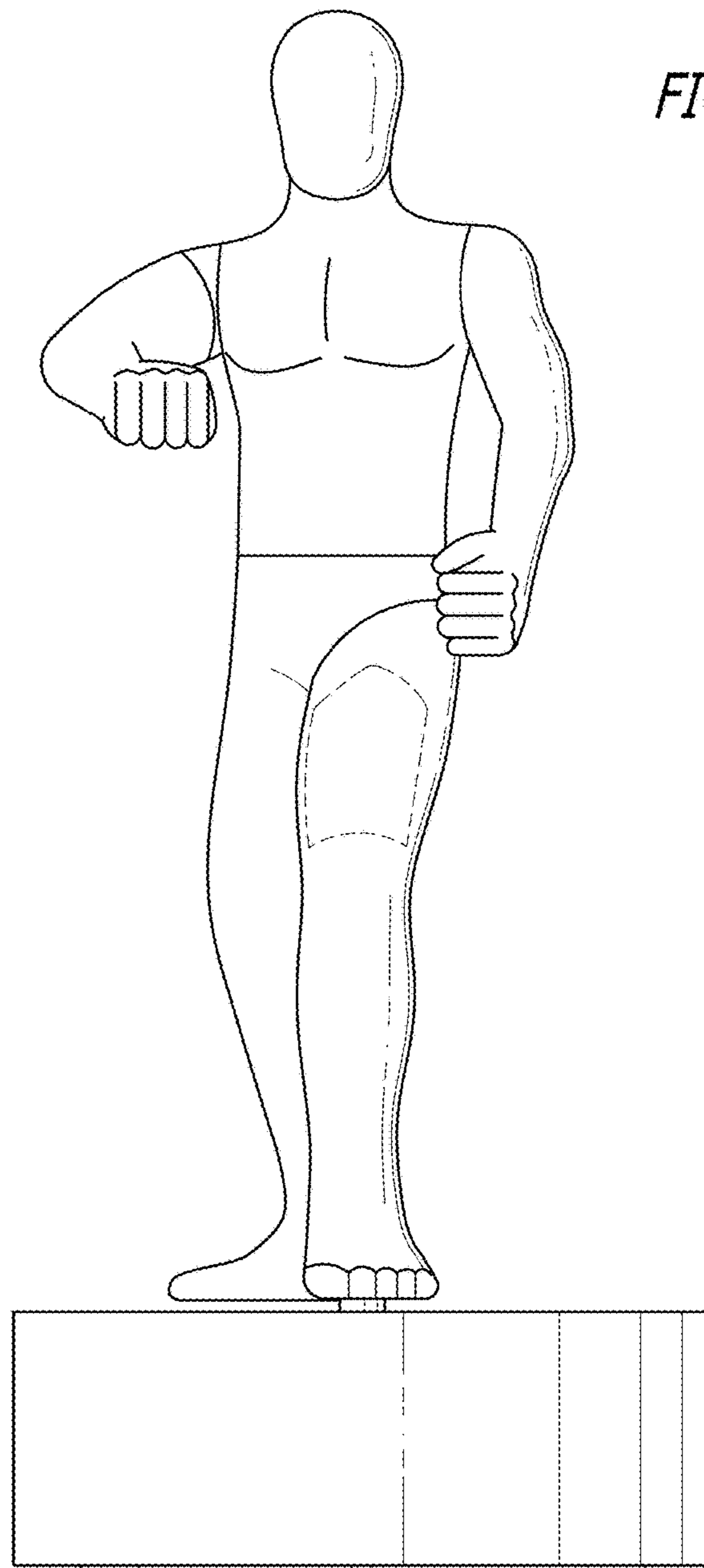


FIG. 2

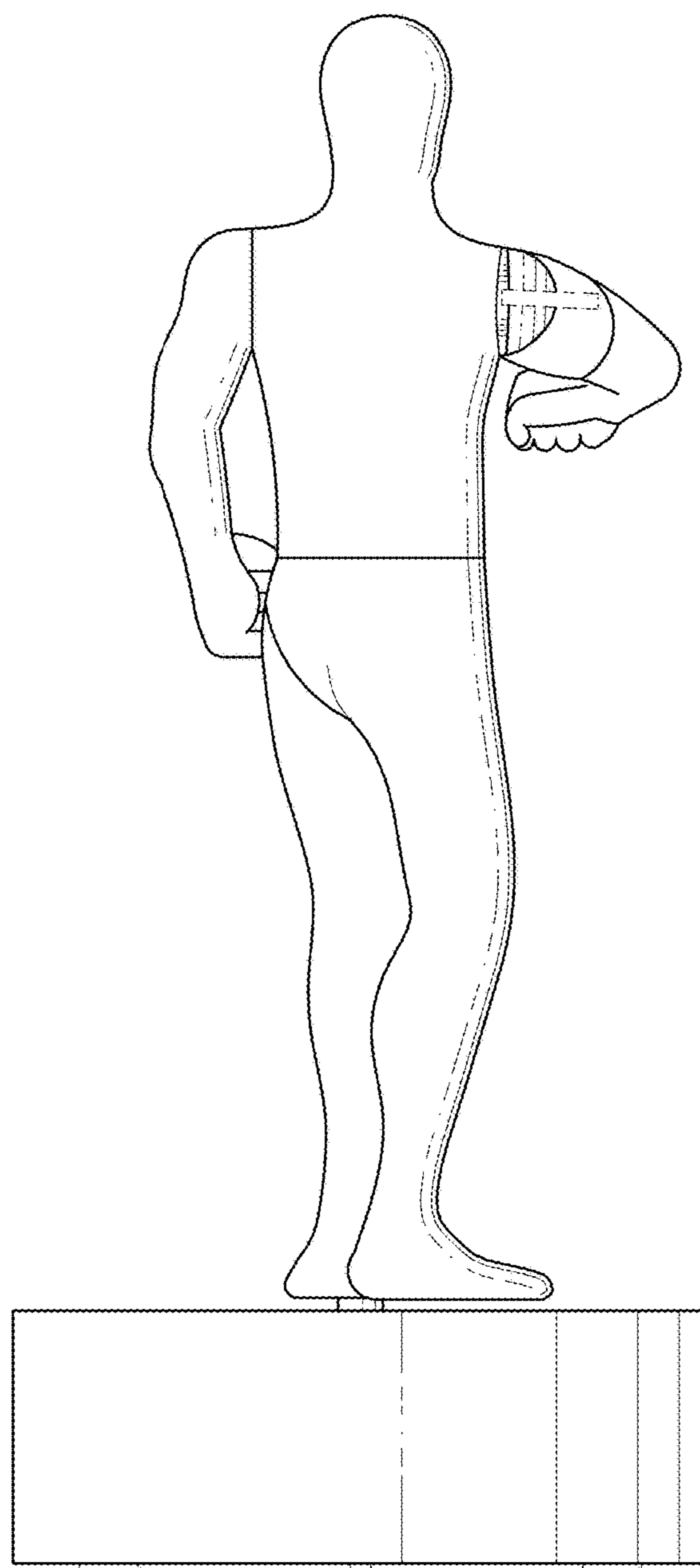


FIG. 3



FIG. 5



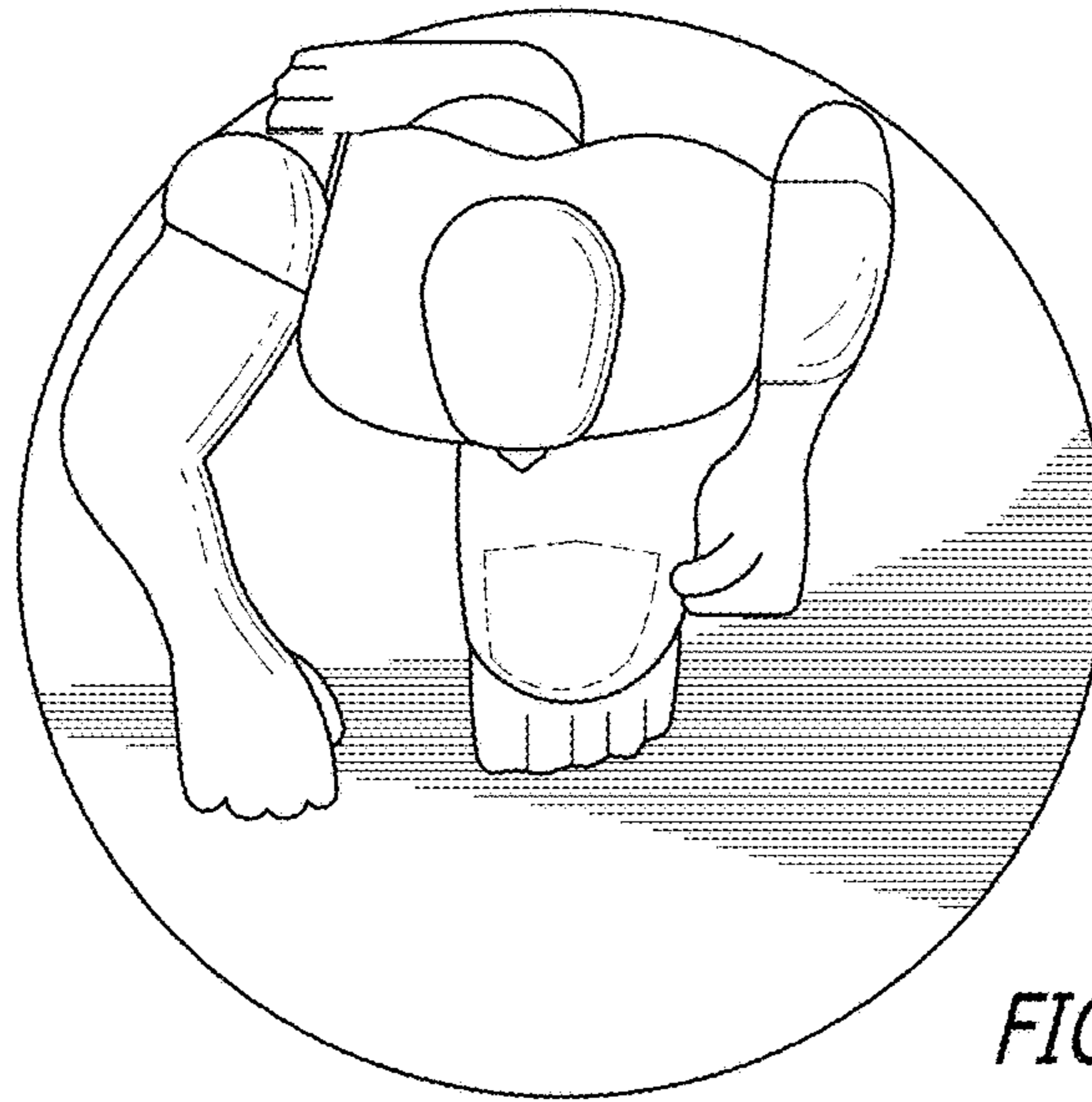


FIG. 6

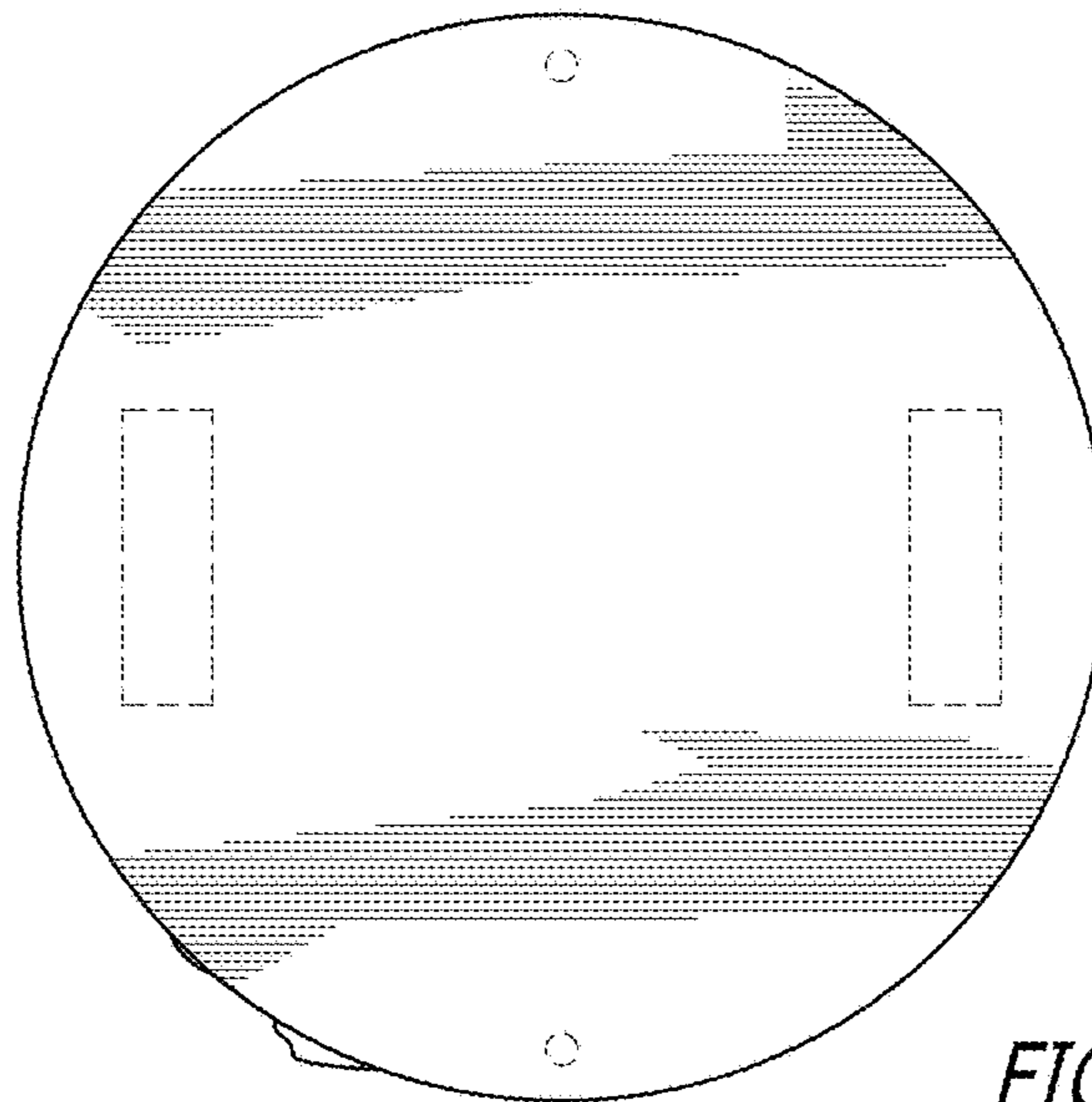


FIG. 7