



US00D847911S

(12) **United States Design Patent**
Wood

(10) **Patent No.:** **US D847,911 S**

(45) **Date of Patent:** **** May 7, 2019**

(54) **FRONT AXLE FOR A MODEL VEHICLE**

D304,473 S 11/1989 Poulsen
D311,942 S 11/1990 Dideriksen
D332,978 S 2/1993 Tsuchiya
(Continued)

(71) Applicant: **TRAXXAS LP**, McKinney, TX (US)

(72) Inventor: **Jonathan Scott Wood**, Lewisville, TX (US)

(73) Assignee: **TRAXXAS LP**, McKinney, TX (US)

(**) Term: **15 Years**

(21) Appl. No.: **29/592,274**

(22) Filed: **Jan. 27, 2017**

(51) **LOC (11) Cl.** **21-01**

(52) **U.S. Cl.**
USPC **D21/495**

(58) **Field of Classification Search**
USPC D12/114, 160; 280/124, 116, 124.11;
301/124.1, 125; 475/230; D21/495, 561,
D21/562
CPC B60B 27/06; B60B 2900/313; B60B
2360/108; B60B 2360/102; B60B
2900/212; B60Y 2200/114
See application file for complete search history.

(56) **References Cited**

U.S. PATENT DOCUMENTS

| | | | |
|--------------|---------|------------------|---------------|
| 1,377,905 A | 5/1921 | Martz | |
| 1,455,706 A | 5/1923 | Bower et al. | |
| 2,041,992 A | 5/1936 | Noel | |
| 2,083,085 A | 6/1937 | Palmer | |
| 2,132,545 A | 10/1938 | Smith | |
| 2,547,435 A | 4/1951 | Bouchard | |
| 3,306,077 A | 2/1967 | Piatti | |
| 3,333,654 A | 8/1967 | Price-Stephens | |
| 3,767,221 A | 10/1973 | Asberg | |
| D242,442 S * | 11/1976 | Garrison | D12/114 |
| 4,509,932 A | 4/1985 | Weible | |
| 4,632,203 A | 12/1986 | Krude | |
| 4,690,656 A | 9/1987 | Friendman et al. | |
| D304,472 S | 11/1989 | Poulsen | |

OTHER PUBLICATIONS

Axial; Axial SCX10 II; Aug. 2016.
(Continued)

Primary Examiner — Robin V Webster

Assistant Examiner — Keith J Wilson

(74) *Attorney, Agent, or Firm* — Daryl R. Wright; Greg Carr

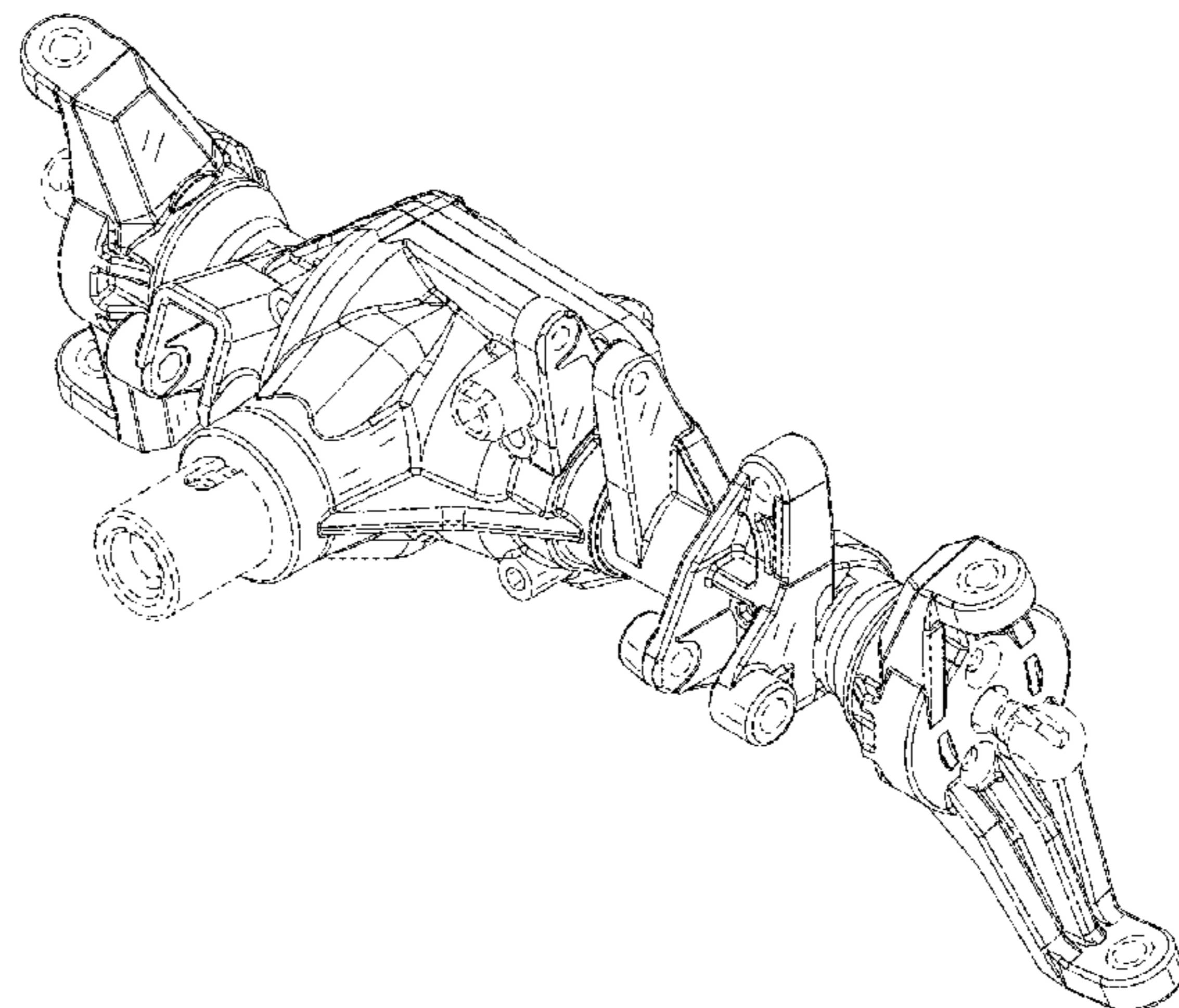
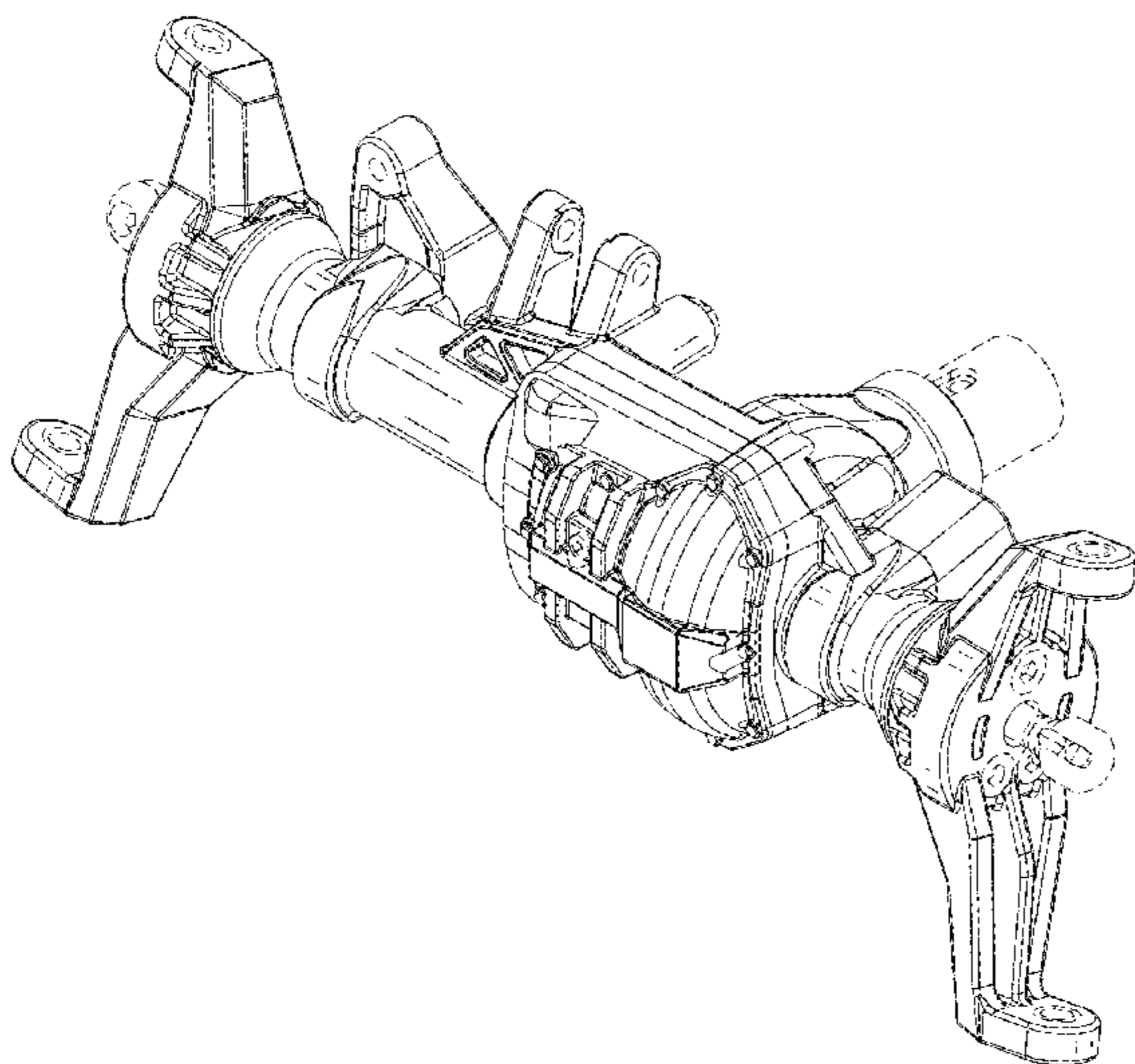
(57) **CLAIM**

I claim the ornamental design for a front axle for a model vehicle, as shown and described.

DESCRIPTION

FIG. 1 is an upper, left, front perspective view of a front axle for a model vehicle;
FIG. 2 is an upper, right, rear perspective view thereof;
FIG. 3 is a front elevation view thereof;
FIG. 4 is a rear elevation view thereof;
FIG. 5 is a left side elevation view thereof;
FIG. 6 is a right, side elevation view thereof;
FIG. 7 is a top plan view thereof;
FIG. 8 is a bottom plan view thereof; and,
FIG. 9 is a front, right, bottom perspective view of a front axle for a model vehicle mounted on a model vehicle platform.
In the drawings, the broken line showing of features of the front axle for a model vehicle illustrate portions of front axle for a model vehicle that form no part of the claimed design; whereas, the broken line showing of the environmental use view depicts environmental subject matter and is provided for the purposes of illustrating environmental use, structure, and context, and form no part of the claimed design.

1 Claim, 5 Drawing Sheets



(56)

References Cited

U.S. PATENT DOCUMENTS

D341,560 S * 11/1993 Fabris D12/160
 5,338,247 A 8/1994 Miles
 5,498,208 A 3/1996 Braun
 D403,023 S 12/1998 Araki
 5,954,586 A 9/1999 Kirson
 6,394,878 B1 5/2002 Wang
 6,416,136 B1 7/2002 Smith
 6,478,709 B1 * 11/2002 Irwin F16H 48/08
 475/230
 6,513,614 B2 2/2003 Knutson et al.
 6,773,353 B2 8/2004 Cornay et al.
 6,820,707 B1 11/2004 Cantemir
 7,144,326 B2 12/2006 Thompson
 7,810,604 B2 10/2010 Byers et al.
 7,841,923 B2 11/2010 Marzetta et al.
 D686,677 S * 7/2013 Simonds D12/160
 8,574,022 B2 11/2013 Grisolia et al.
 2002/0065021 A1 5/2002 Wang
 2002/0160688 A1 10/2002 Rehkemper et al.
 2002/0165031 A1 11/2002 Riefe
 2004/0005931 A1 1/2004 Wang et al.
 2004/0231910 A1 11/2004 Mercier et al.
 2005/0206222 A1 * 9/2005 Swanson B60B 35/121
 301/124.1
 2006/0240897 A1 10/2006 Carlini et al.

2007/0293328 A1 12/2007 Mazziotti
 2008/0238015 A1 * 10/2008 Duddling B60B 35/08
 280/124.116
 2009/0039700 A1 * 2/2009 Gradu B60B 35/121
 301/111.02
 2011/0001350 A1 * 1/2011 Schmitz B60G 9/003
 301/124.1
 2011/0057408 A1 * 3/2011 Koschinat B60B 35/08
 280/124.11
 2013/0278047 A1 * 10/2013 Gottschalk B60B 35/003
 301/125
 2017/0028517 A1 * 2/2017 Ferrari B23K 37/0538
 2017/0370465 A1 * 12/2017 Fast F16H 57/0412

OTHER PUBLICATIONS

Bomber; Bomber Fabrication Gusset Kit; Aug. 2016.
 Wikipedia; Dana 44 Axle; Aug. 2016.
 Reid Racing; Reid Racing Axle Products; Aug. 2016.
 Currie; Currie RockJock 79 Axle; Aug. 2016.
 Xray Model Racing Cars; "T1R Raycer-Instruction Manual;" Xray
 Model Racing Cars, Trencin, Slovak Republic, Europe (admitted
 prior art).
 Traxxas; "T-MAXX Assemblies-Front Assembly;" Traxxas LP,
 Plano, Texas (admitted prior art).

* cited by examiner

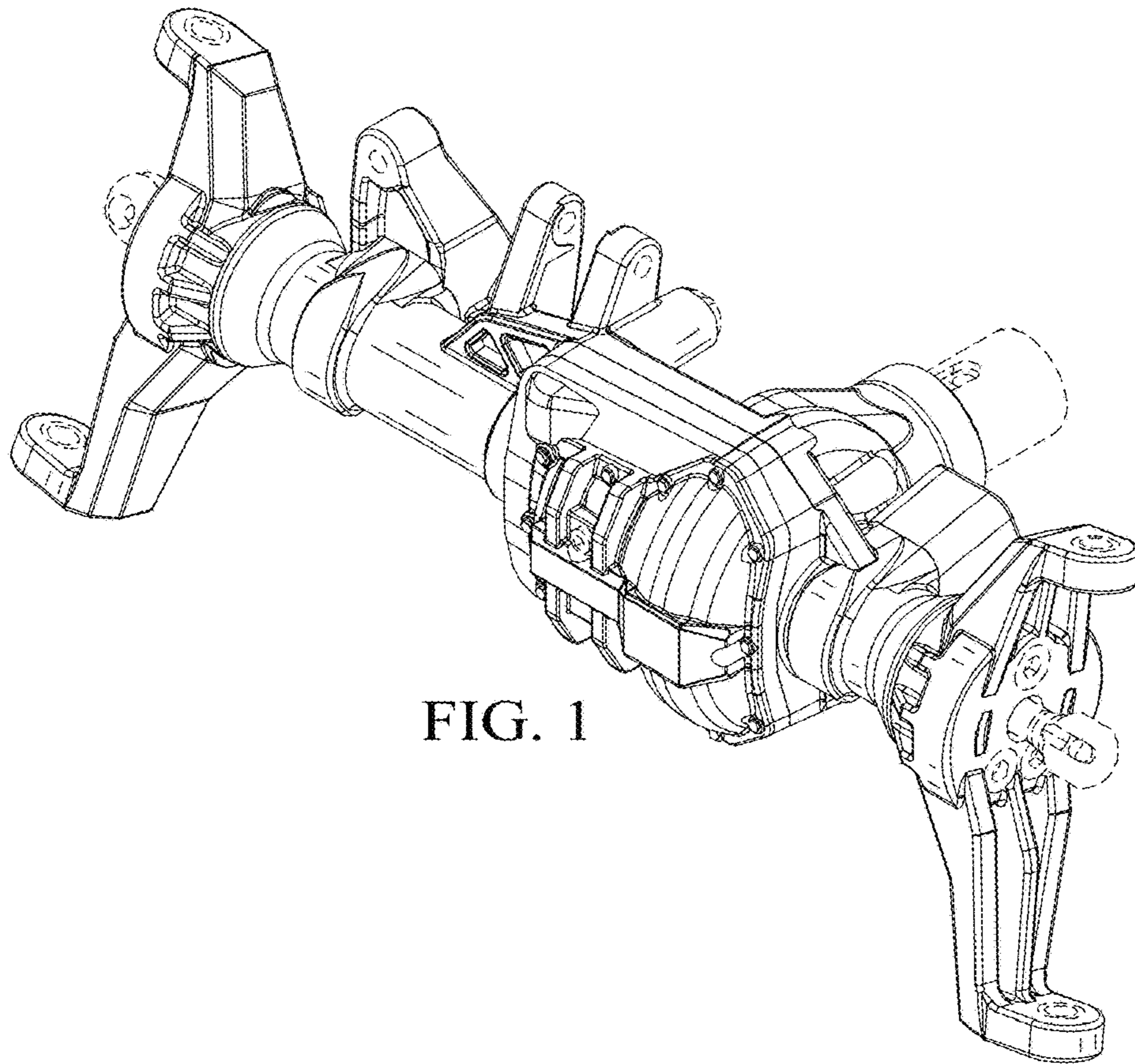


FIG. 1

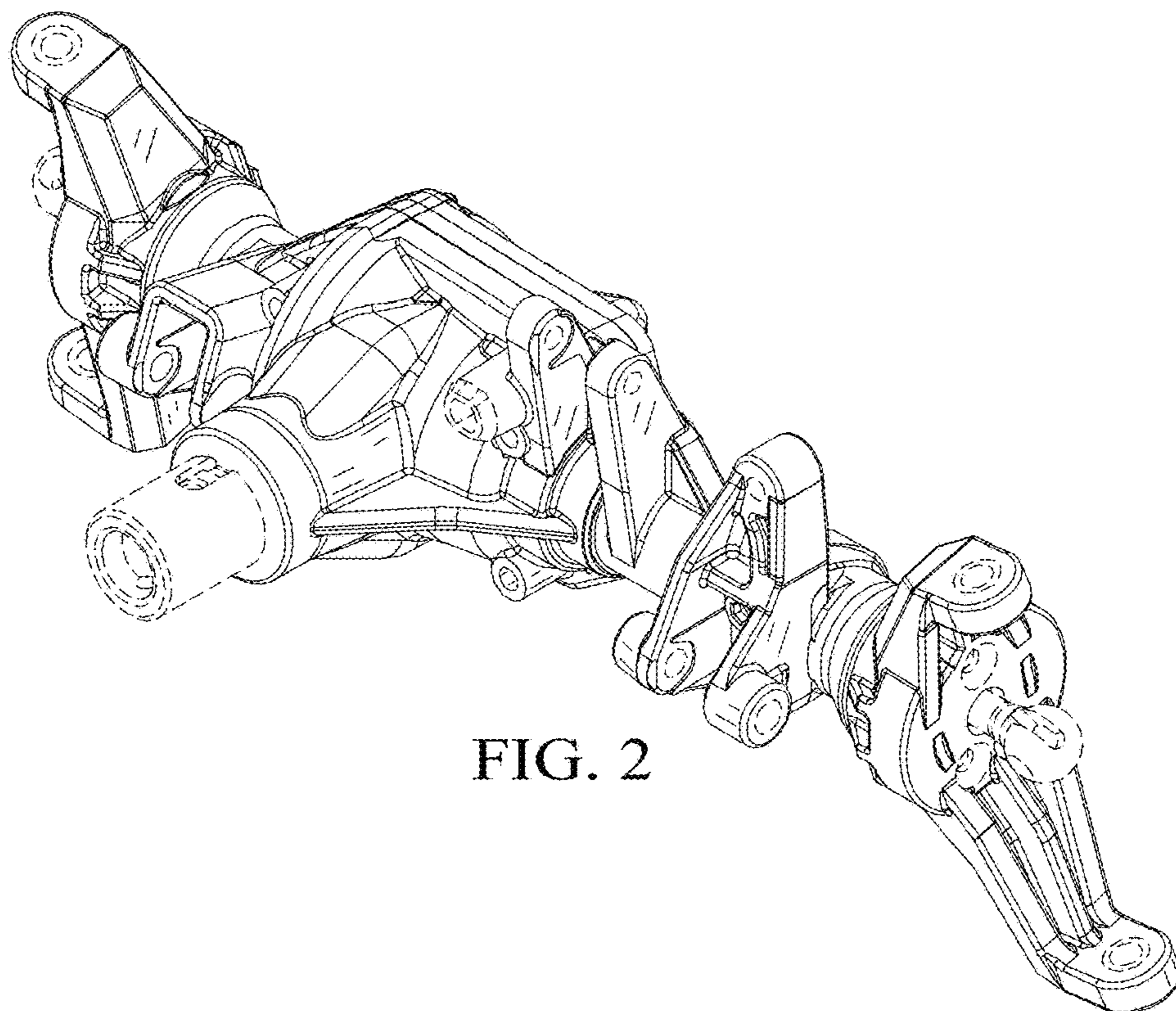


FIG. 2

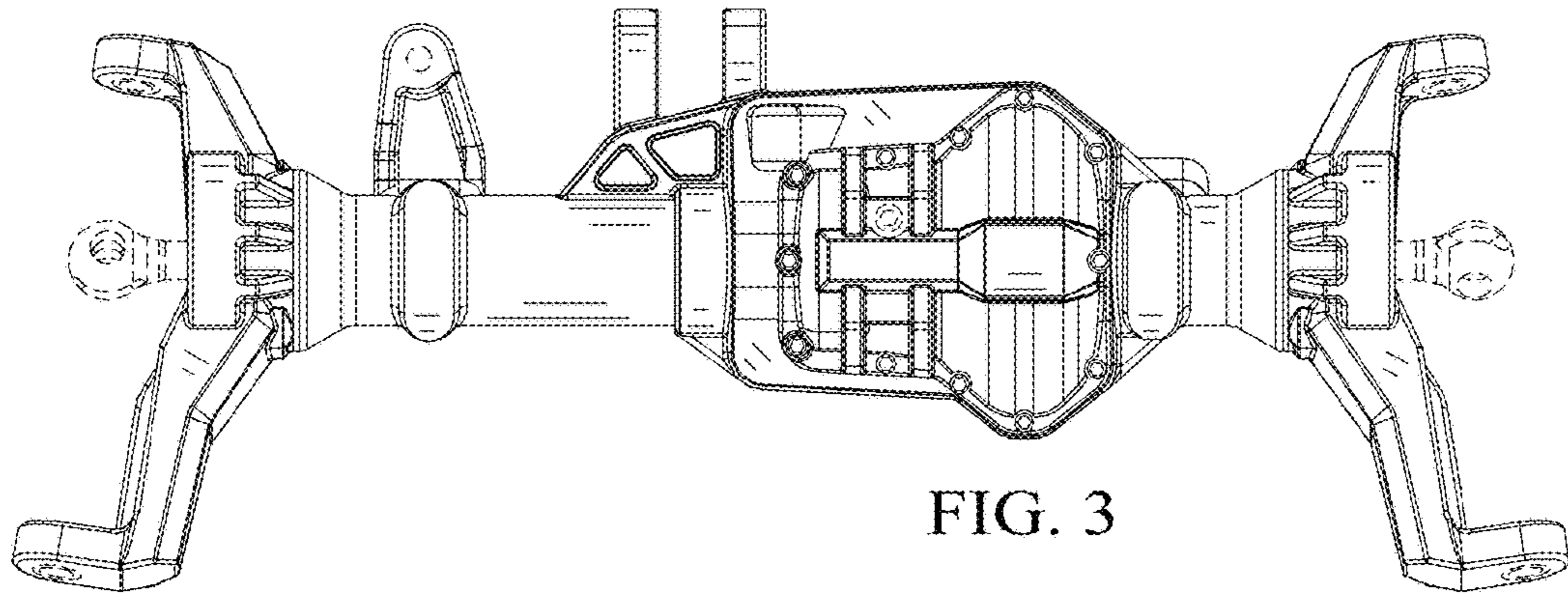


FIG. 3

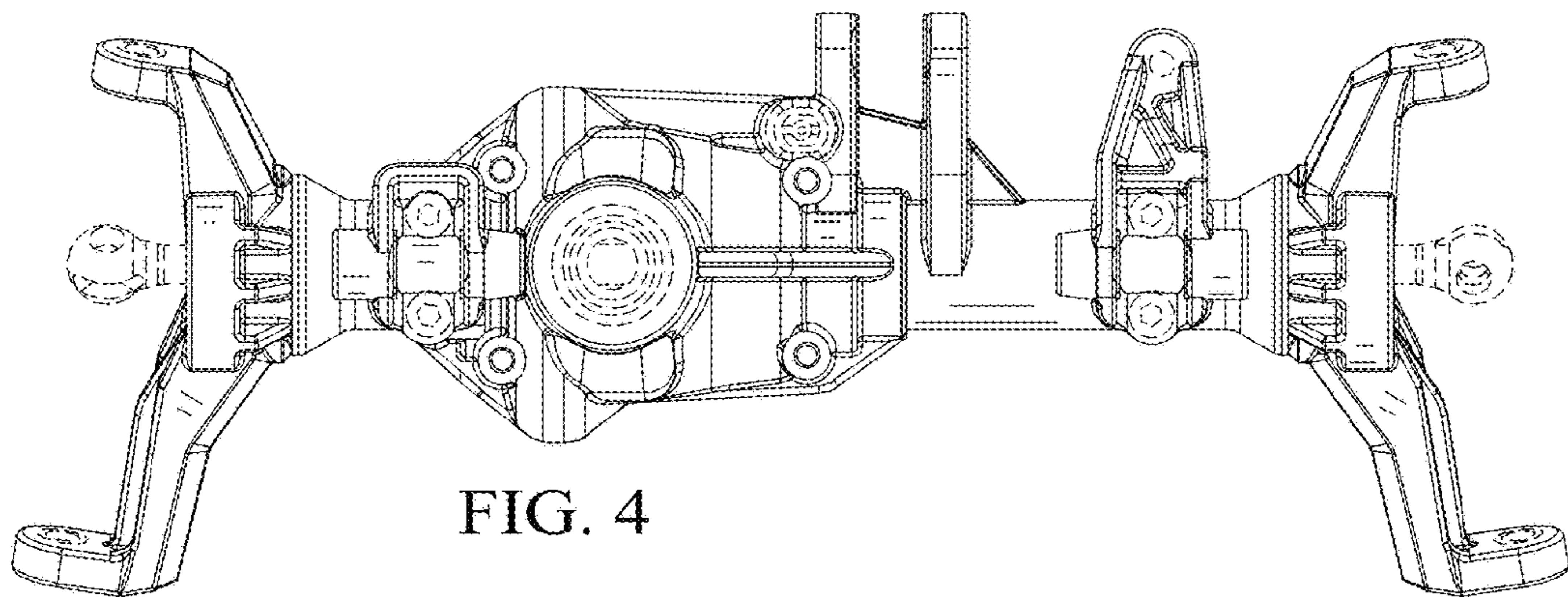


FIG. 4

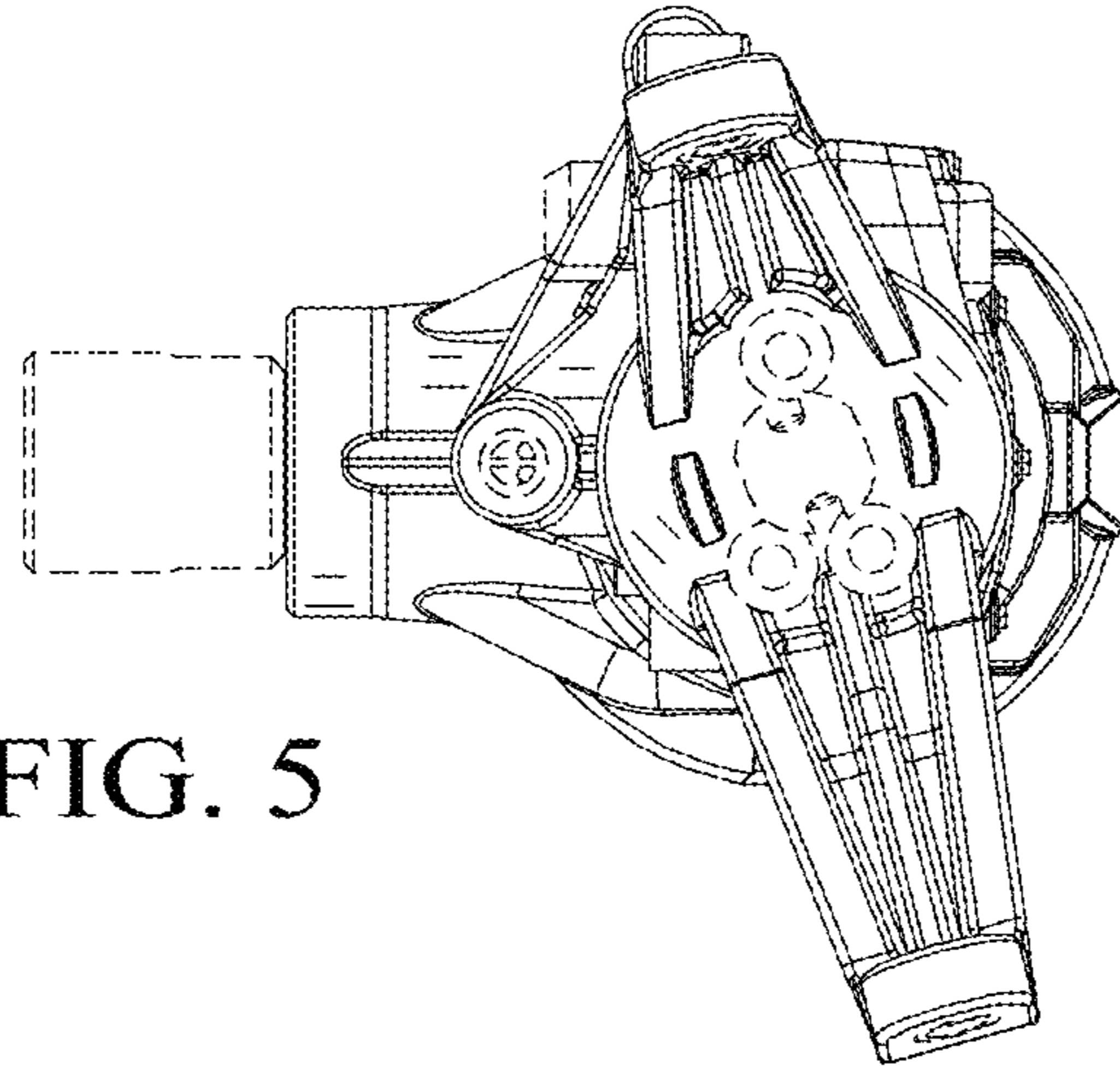


FIG. 5

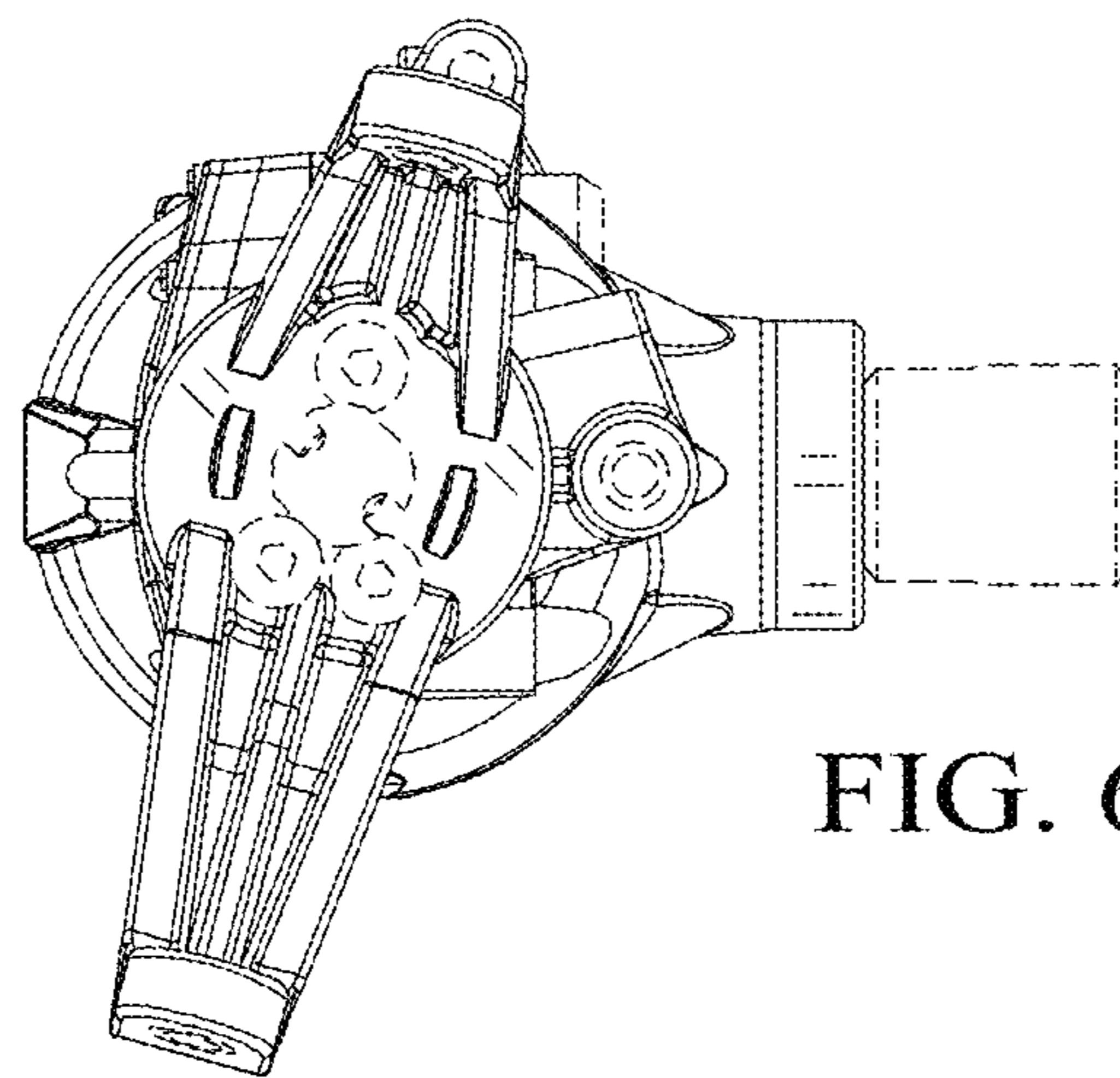


FIG. 6

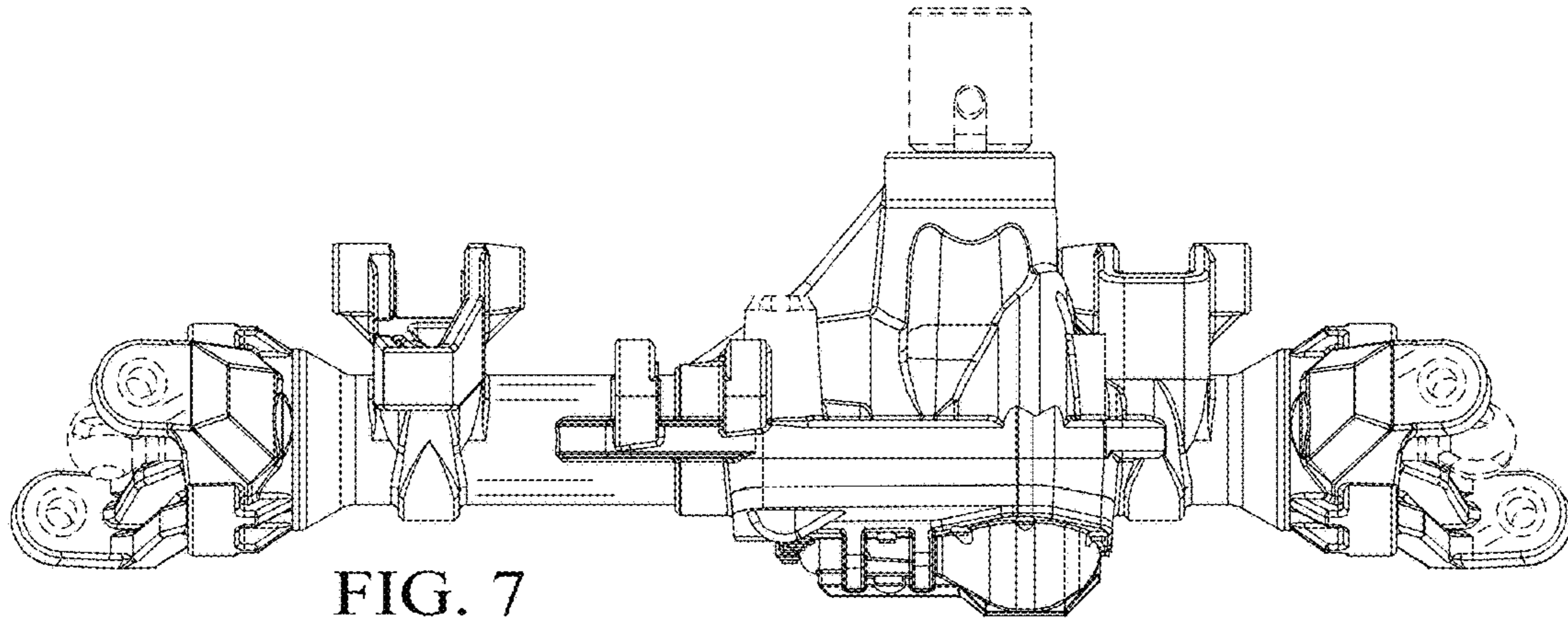


FIG. 7

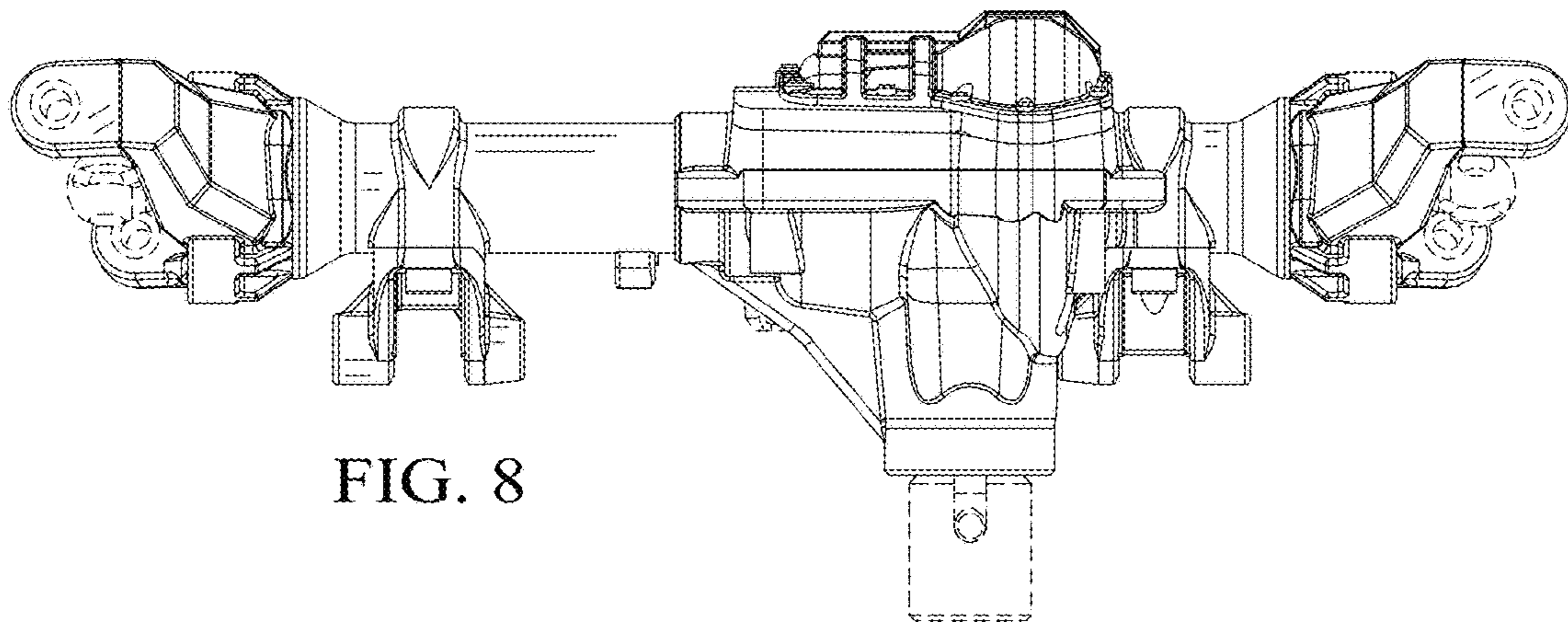


FIG. 8

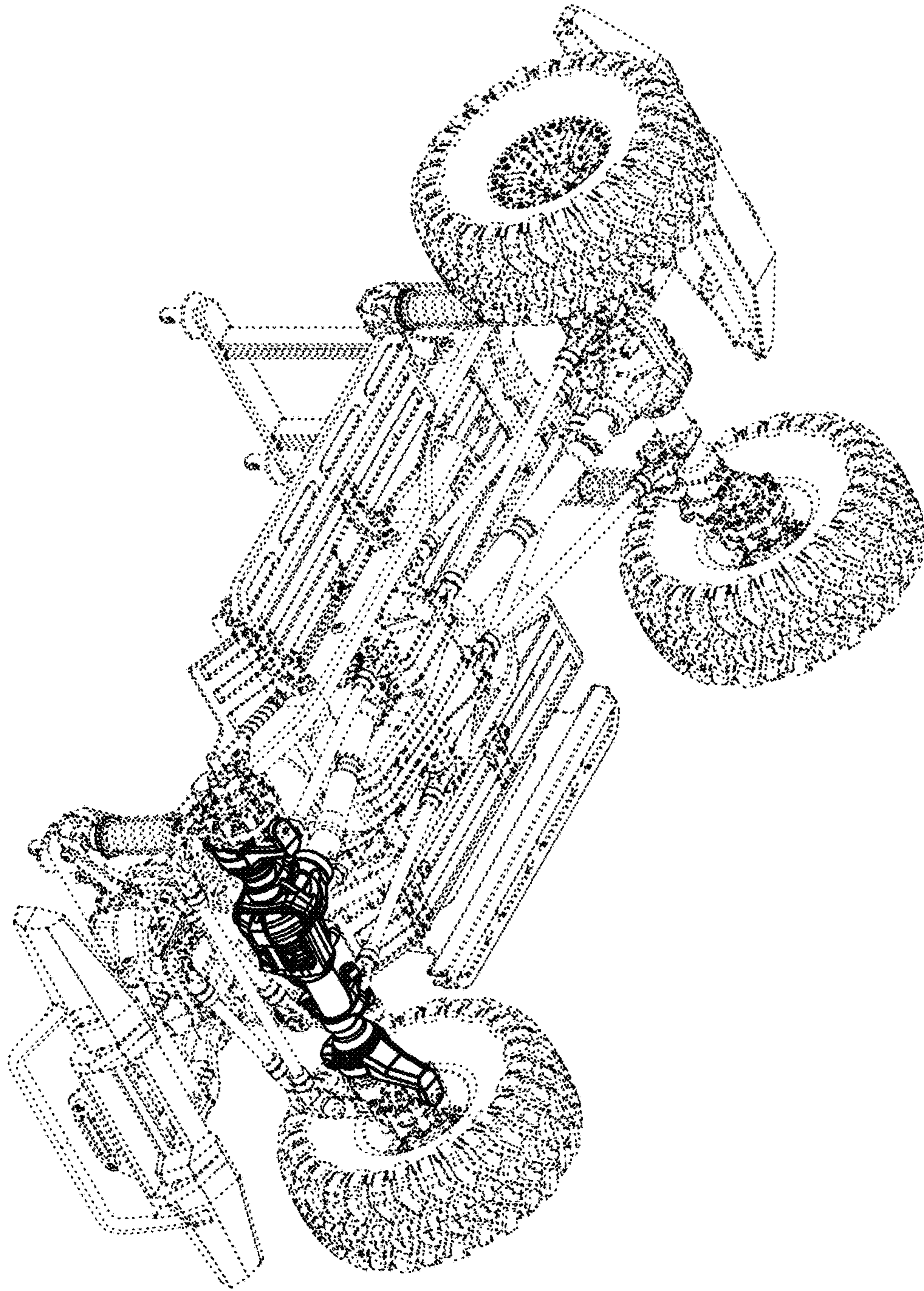


FIG. 9