



US00D847907S

(12) **United States Design Patent** (10) **Patent No.:** **US D847,907 S**
Lowe (45) **Date of Patent:** **** May 7, 2019**

(54) **PLAY SADDLE**

(71) Applicant: **Daniel Lowe**, Ashburn, VA (US)

(72) Inventor: **Daniel Lowe**, Ashburn, VA (US)

(**) Term: **15 Years**

(21) Appl. No.: **29/598,218**

(22) Filed: **Mar. 23, 2017**

(51) **LOC (11) Cl.** **21-01**

(52) **U.S. Cl.**
USPC **D21/420**; D21/429

(58) **Field of Classification Search**
USPC D30/134, 135; D21/420, 483
CPC A63G 19/00; A63G 17/00; A63H 33/00;
A63H 33/006; A47D 13/025; A47D 1/10;
B68C 1/027; B68C 1/16
See application file for complete search history.

(56) **References Cited**

U.S. PATENT DOCUMENTS

D278,467	S *	4/1985	Lang	150/154
D284,296	S *	6/1986	Bossert	D21/483
4,848,067	A *	7/1989	Martinsen	A47D 13/025 446/28
5,000,712	A *	3/1991	Curry, Sr.	A63G 19/00 446/26
D359,088	S *	6/1995	Ryaa	D21/483
D374,255	S *	10/1996	Siller	D21/420
D403,517	S *	1/1999	Perrin	D6/351
D481,421	S *	10/2003	Barbis	D21/419
6,881,118	B2 *	4/2005	Klick, Jr.	A63G 17/00 446/26
9,211,476	B2 *	12/2015	Curry, Sr.	A63G 19/00
9,458,007	B2 *	10/2016	Rehmeyer	B68C 1/027
2003/0162468	A1 *	8/2003	Chappell	A63H 33/00 446/28
2013/0303045	A1 *	11/2013	Monacelli	A47D 1/10 446/29

OTHER PUBLICATIONS

The Official Commercial for Pony Up Daddy! | As Seen on TV! Posted on youtube.com Jun. 21, 2016 by OfficialAsSeenOnTV1 [online]. [site visited Jan. 3, 2018]. Available from Internet: <URL: https://www.youtube.com/watch?v=e4n4wyqYYGM>.*

* cited by examiner

Primary Examiner — Cynthia M. Chin

(74) *Attorney, Agent, or Firm* — Feldman Law Group, P.C.; Steven M. Crosby

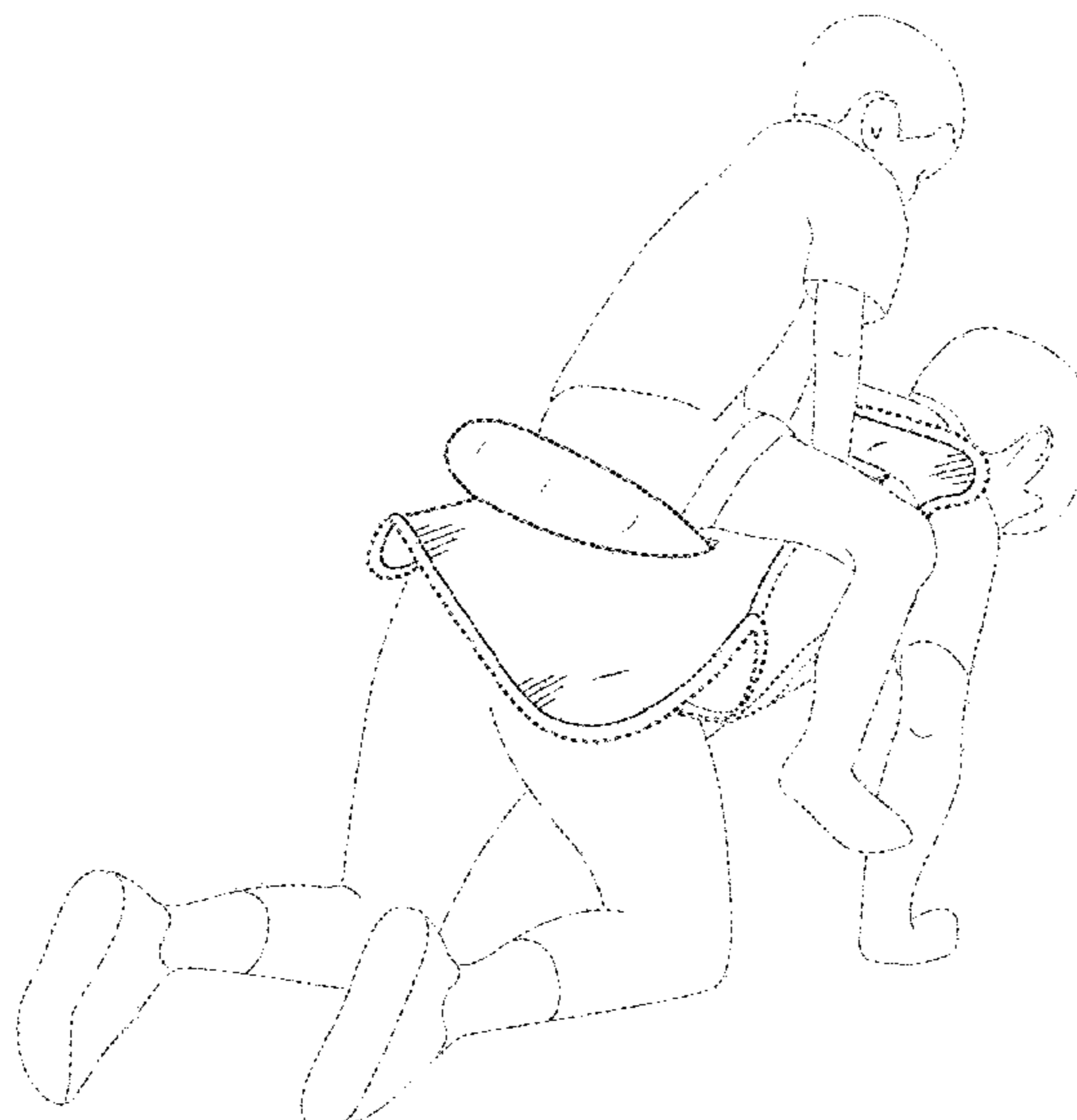
(57) **CLAIM**

The ornamental design for a play saddle, as shown and described.

DESCRIPTION

FIG. 1 is an isometric view of a play saddle; FIG. 2 is a top view of the play saddle shown in FIG. 1; FIG. 3 is a right view of the play saddle shown in FIG. 1; FIG. 4 is a bottom view of the play saddle shown in FIG. 1; FIG. 5 is a left view of the play saddle shown in FIG. 1; FIG. 6 is a front view of the play saddle shown in FIG. 1; FIG. 7 is a back view of the play saddle shown in FIG. 1; FIG. 8 is a second isometric view of the play saddle shown in FIG. 1; FIG. 9 is a top view of the play saddle shown in FIG. 1 with the straps open; FIG. 10 is a bottom view of the play saddle shown in FIG. 1 with the straps open; and, FIG. 11 is an isometric view of the play saddle shown in FIGS. 1 in a play environment. The broken lines are for the purpose of illustrating portions of the article that form no part of the claim. The dash-dot broken lines in FIG. 11 represent an exemplary environment in which the article resides. None of the broken lines form a part of the claim.

1 Claim, 10 Drawing Sheets





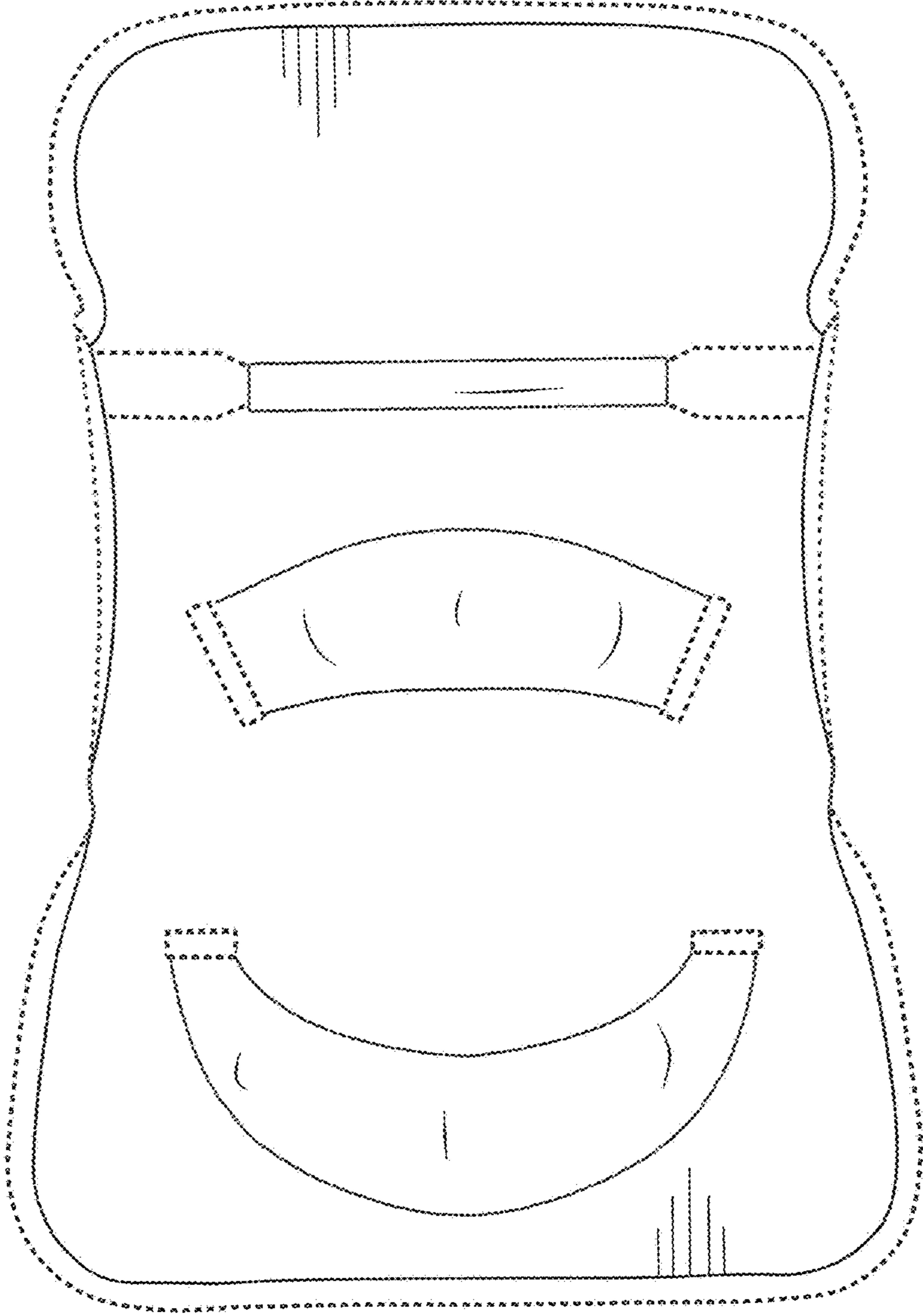


FIG. 2

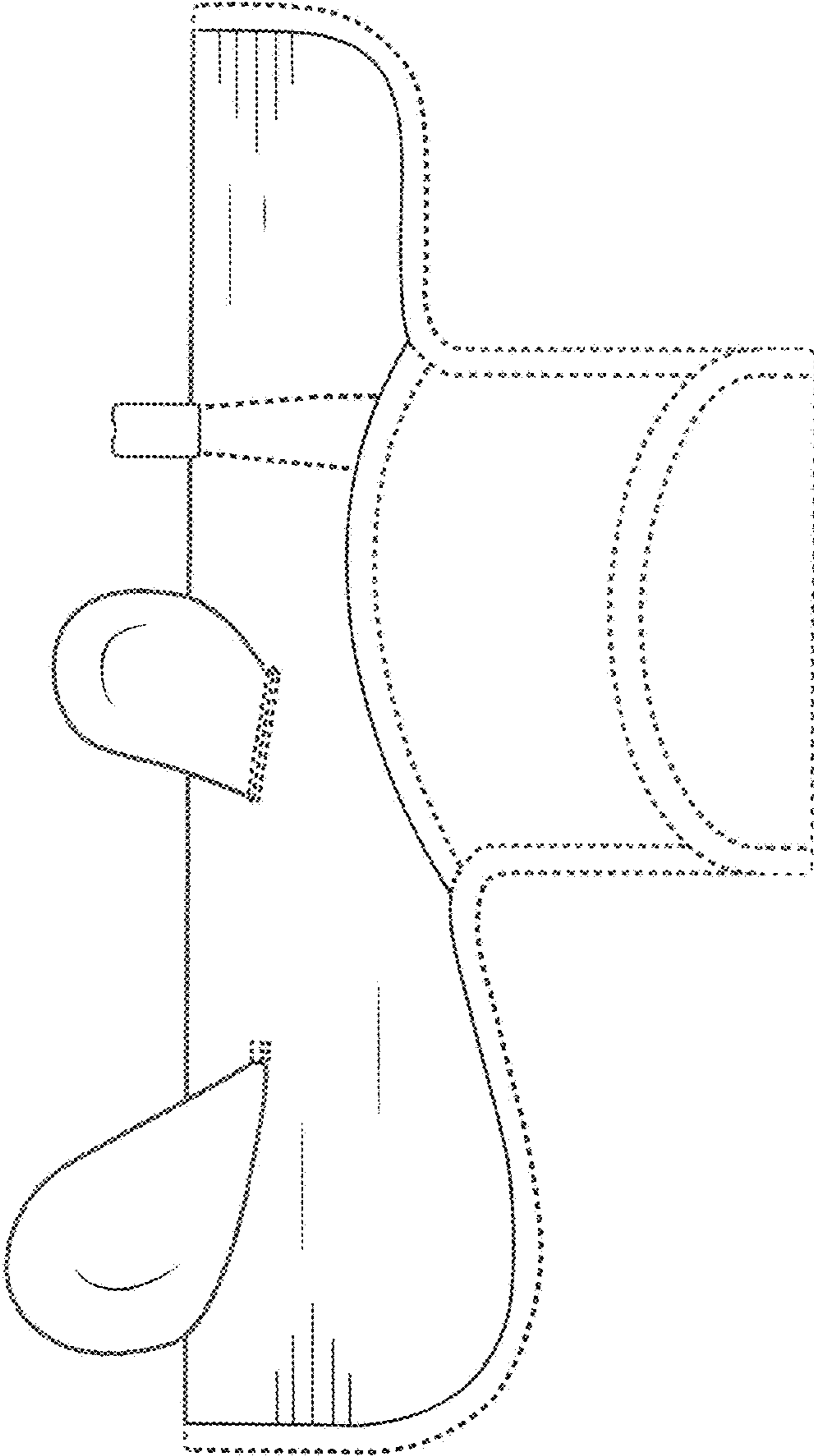


FIG. 3

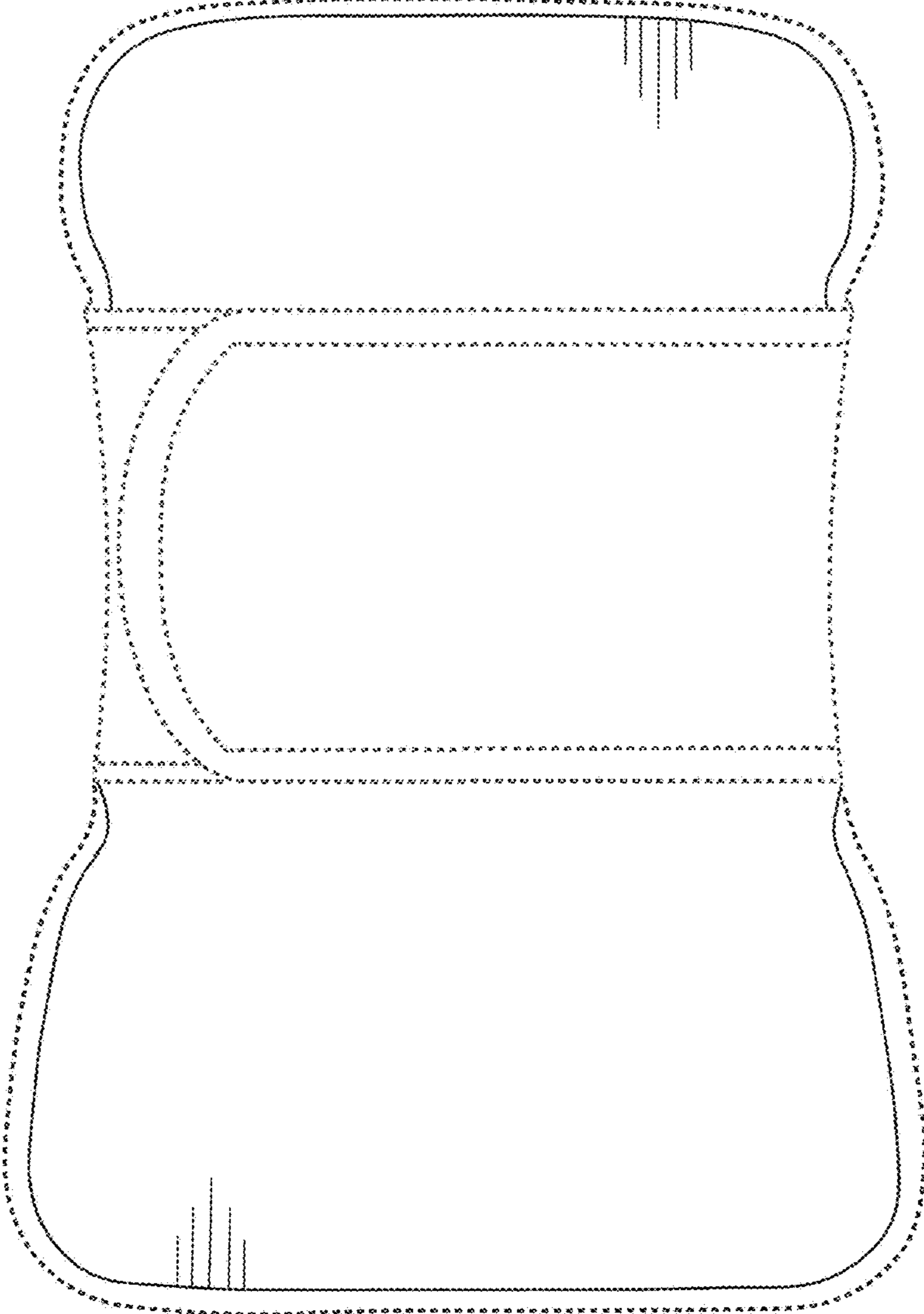


FIG. 4

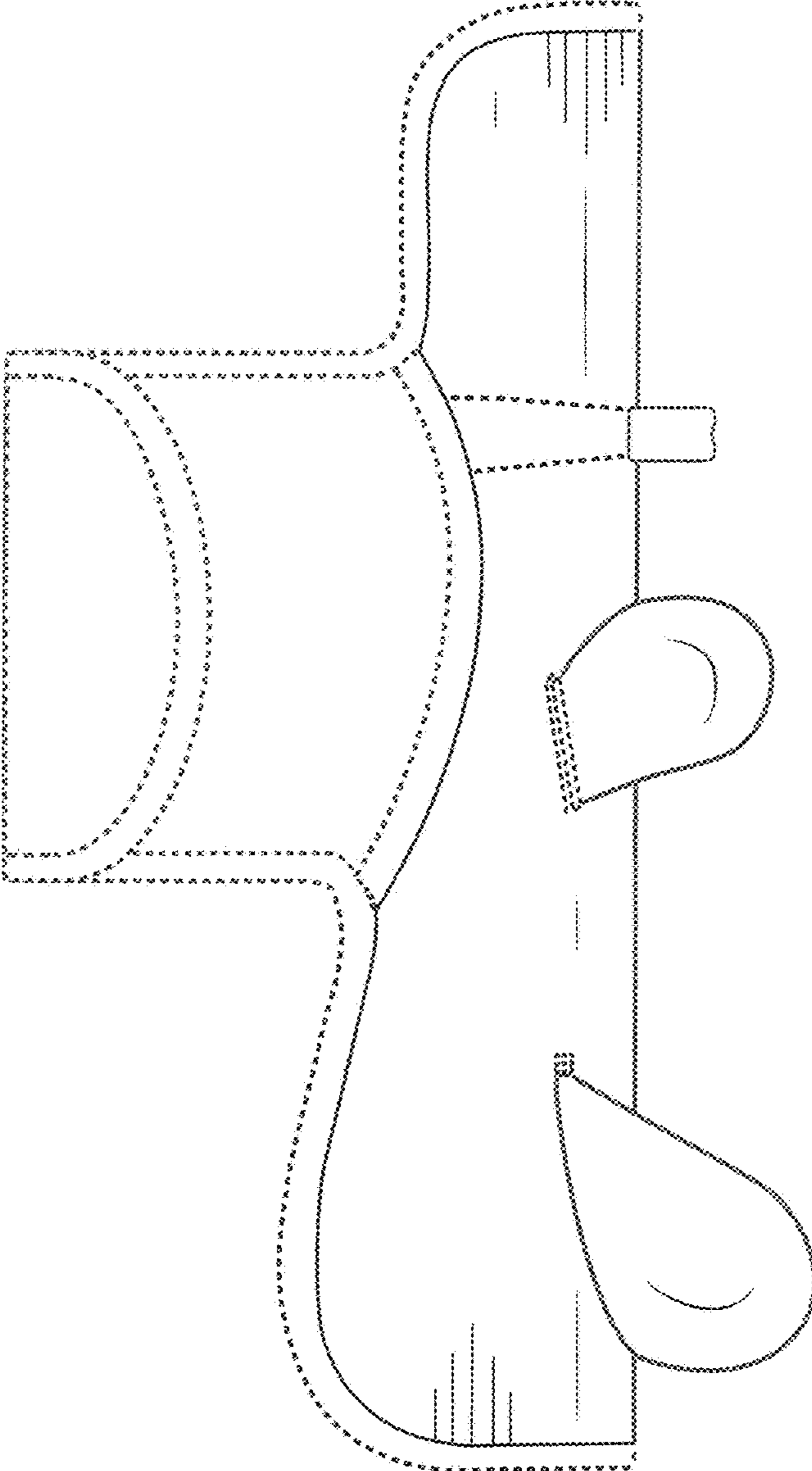


FIG. 5

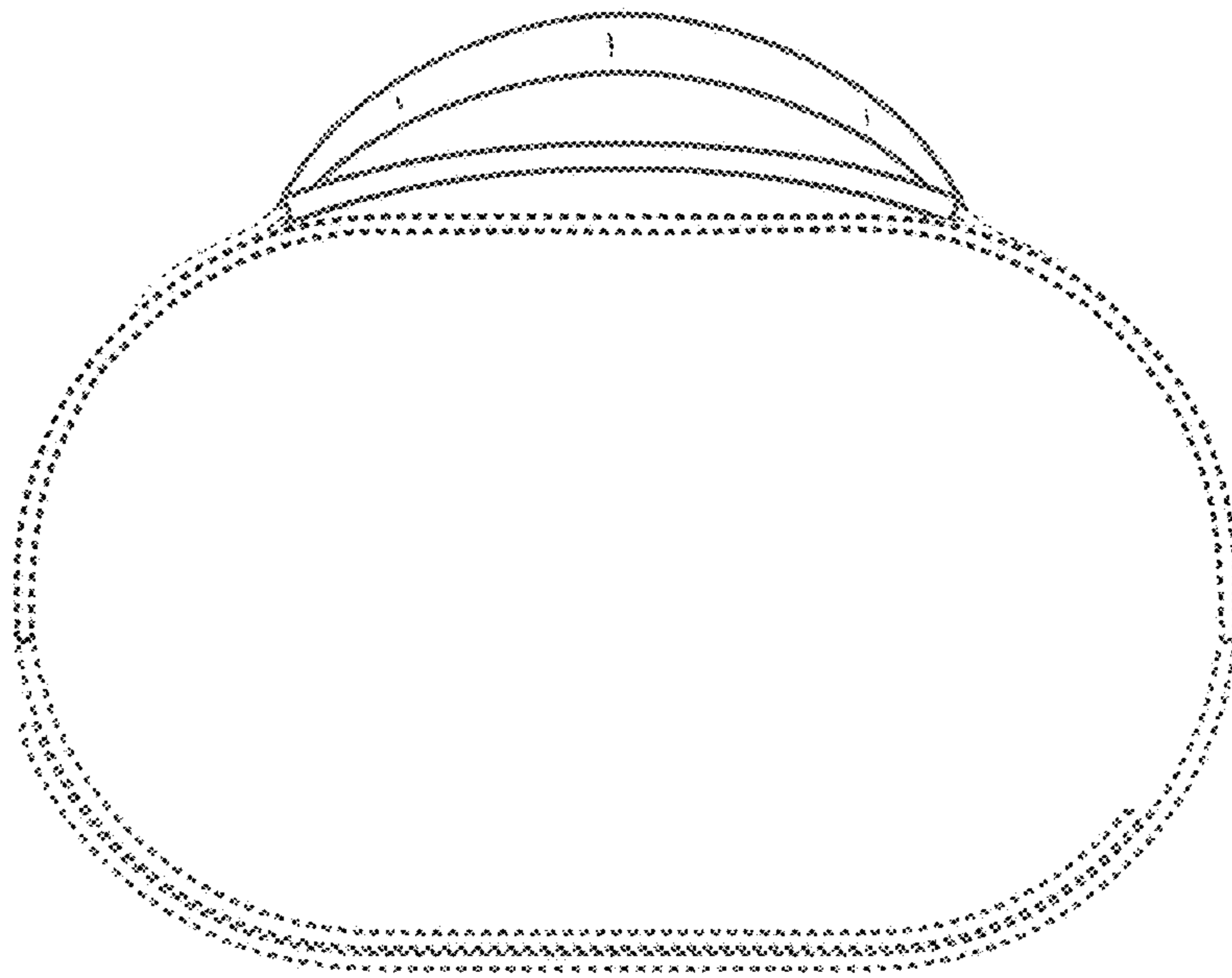


FIG. 6

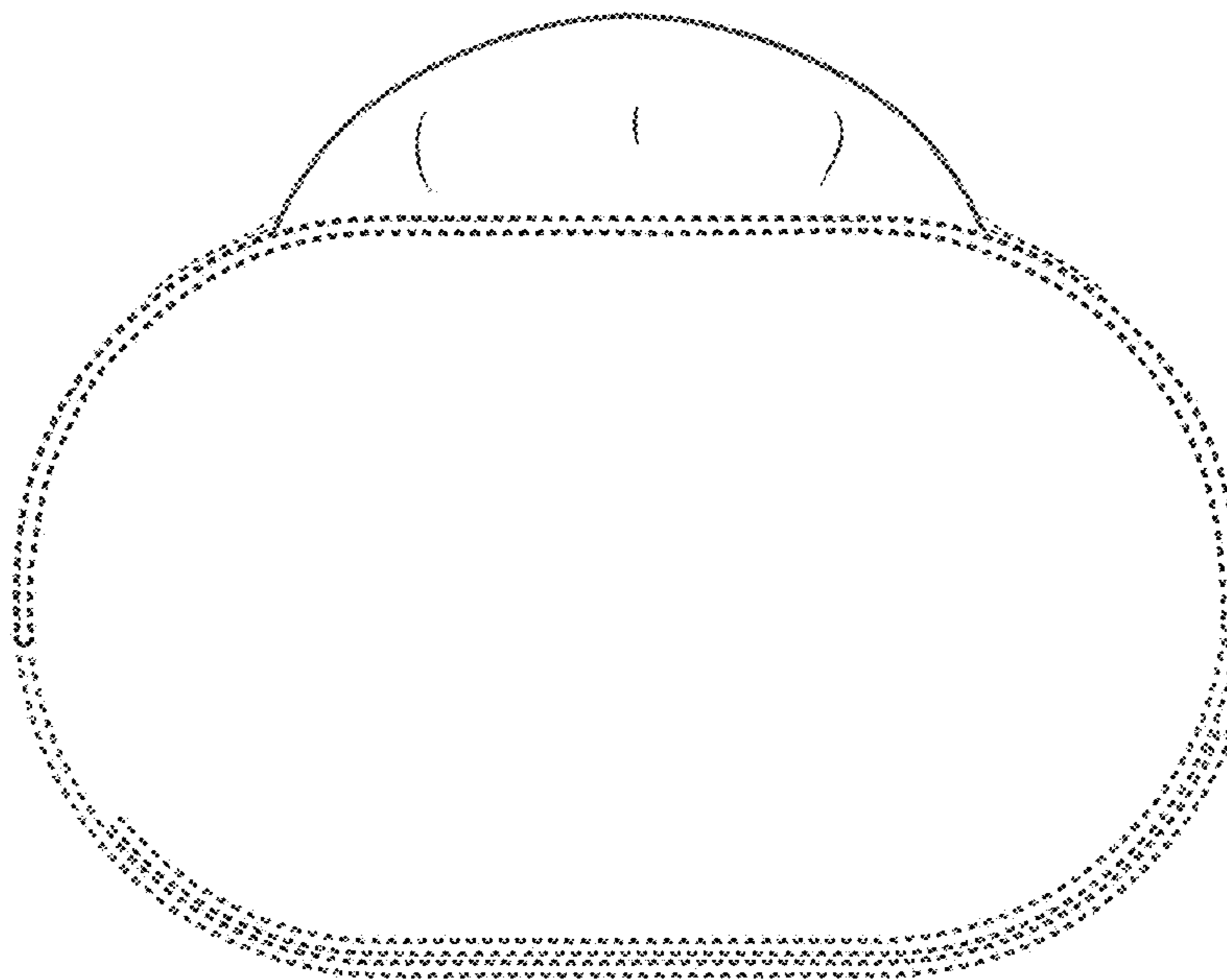


FIG. 7

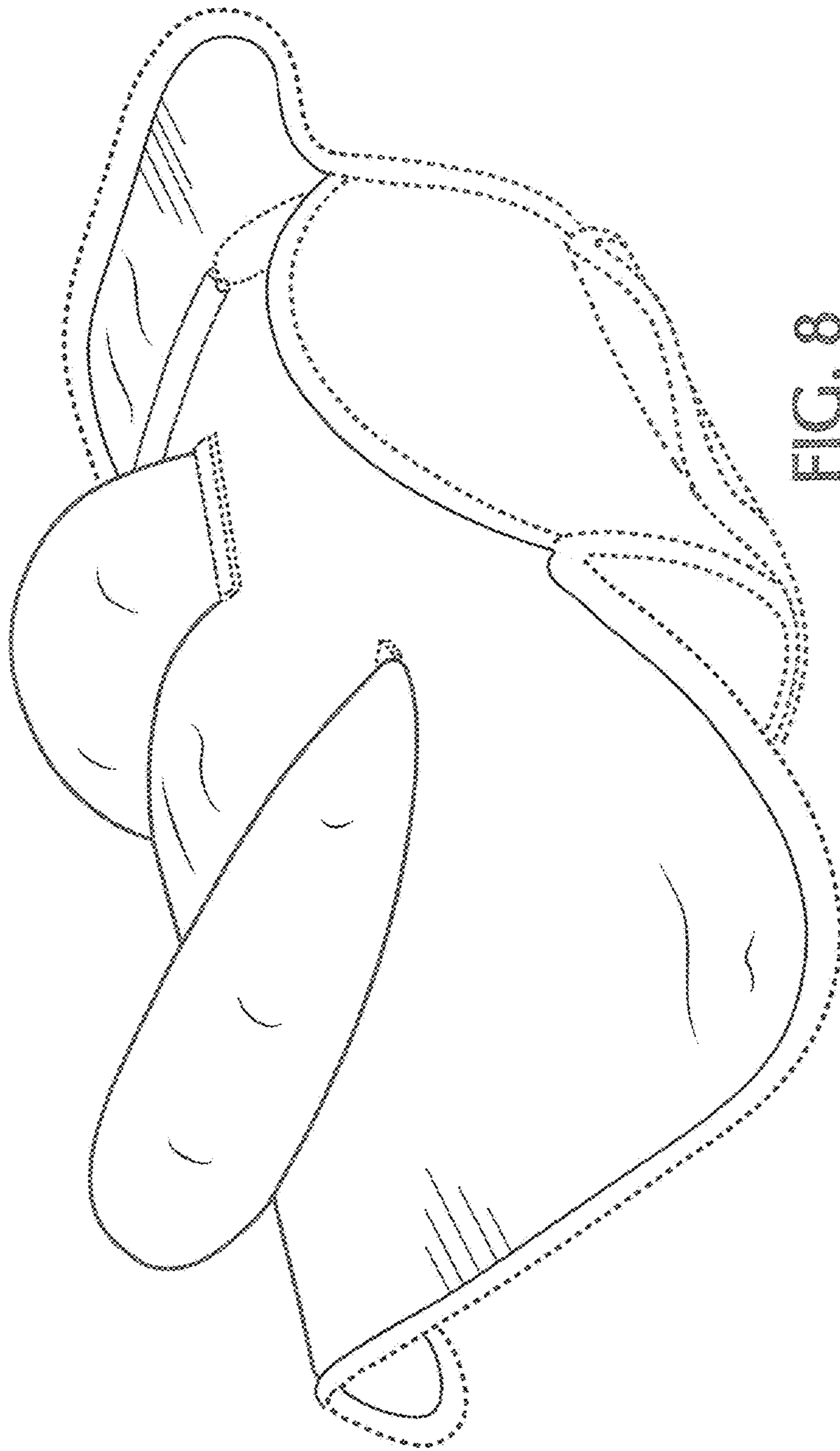


FIG. 8

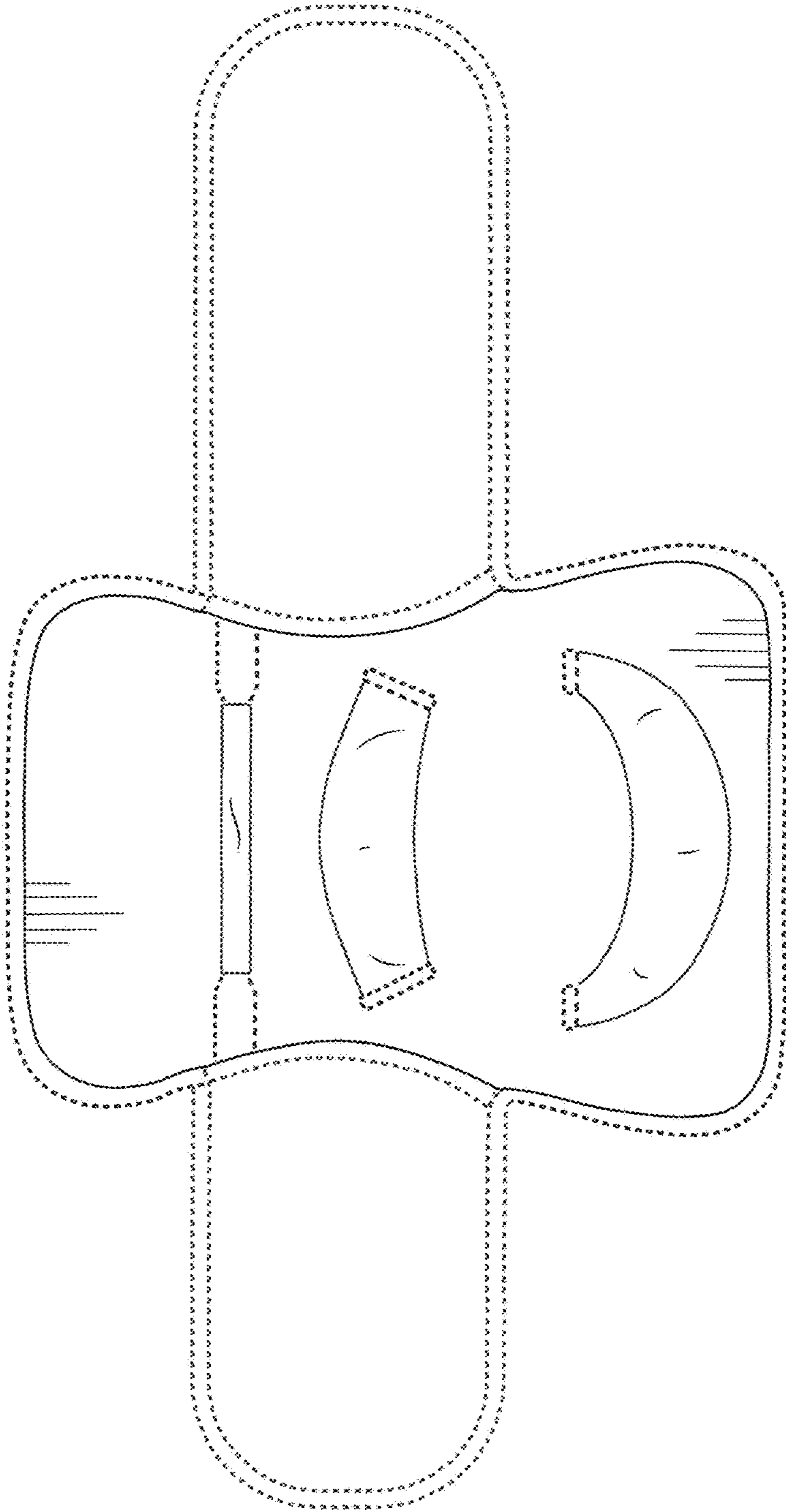


FIG. 9

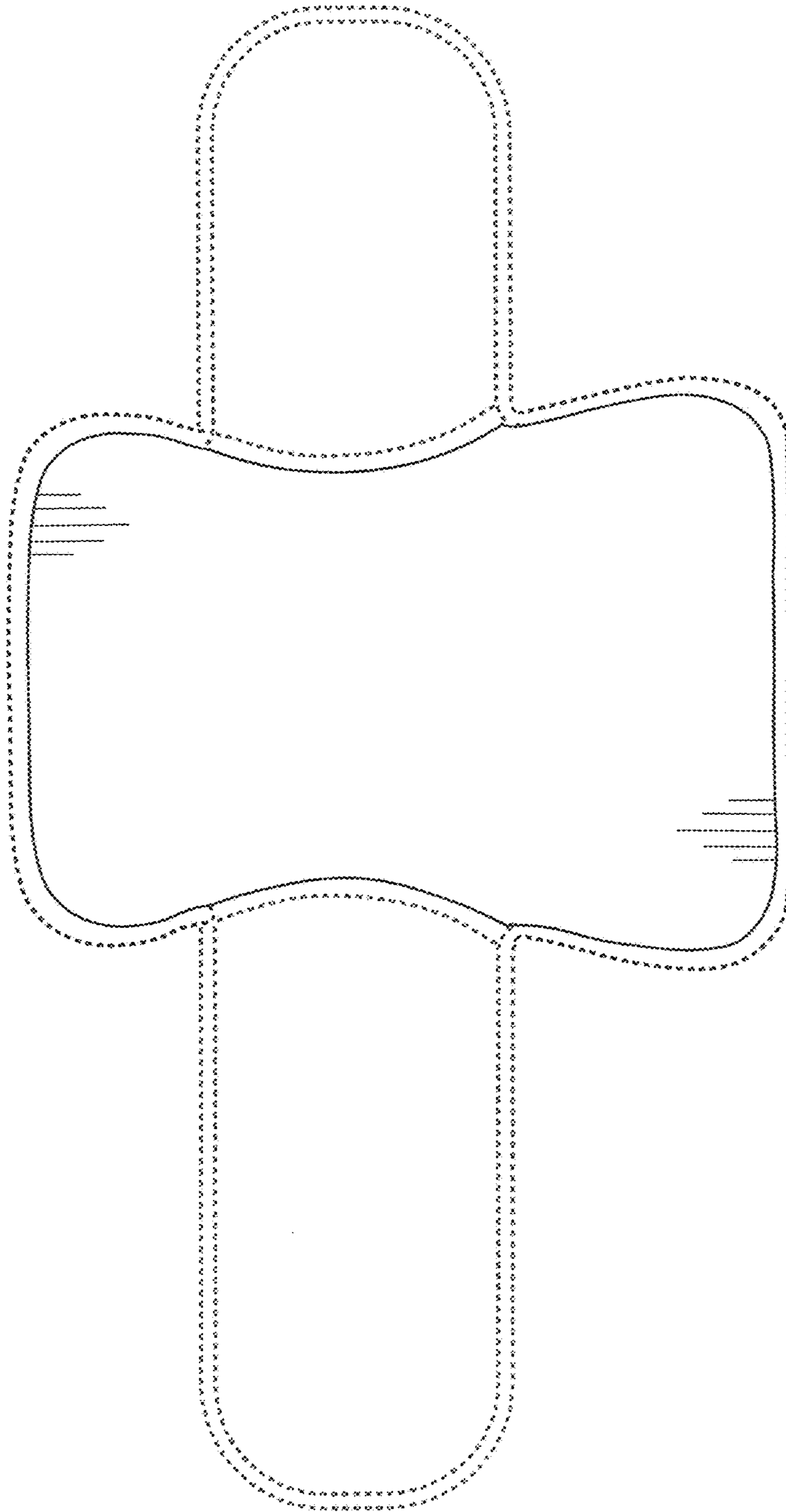


FIG. 10

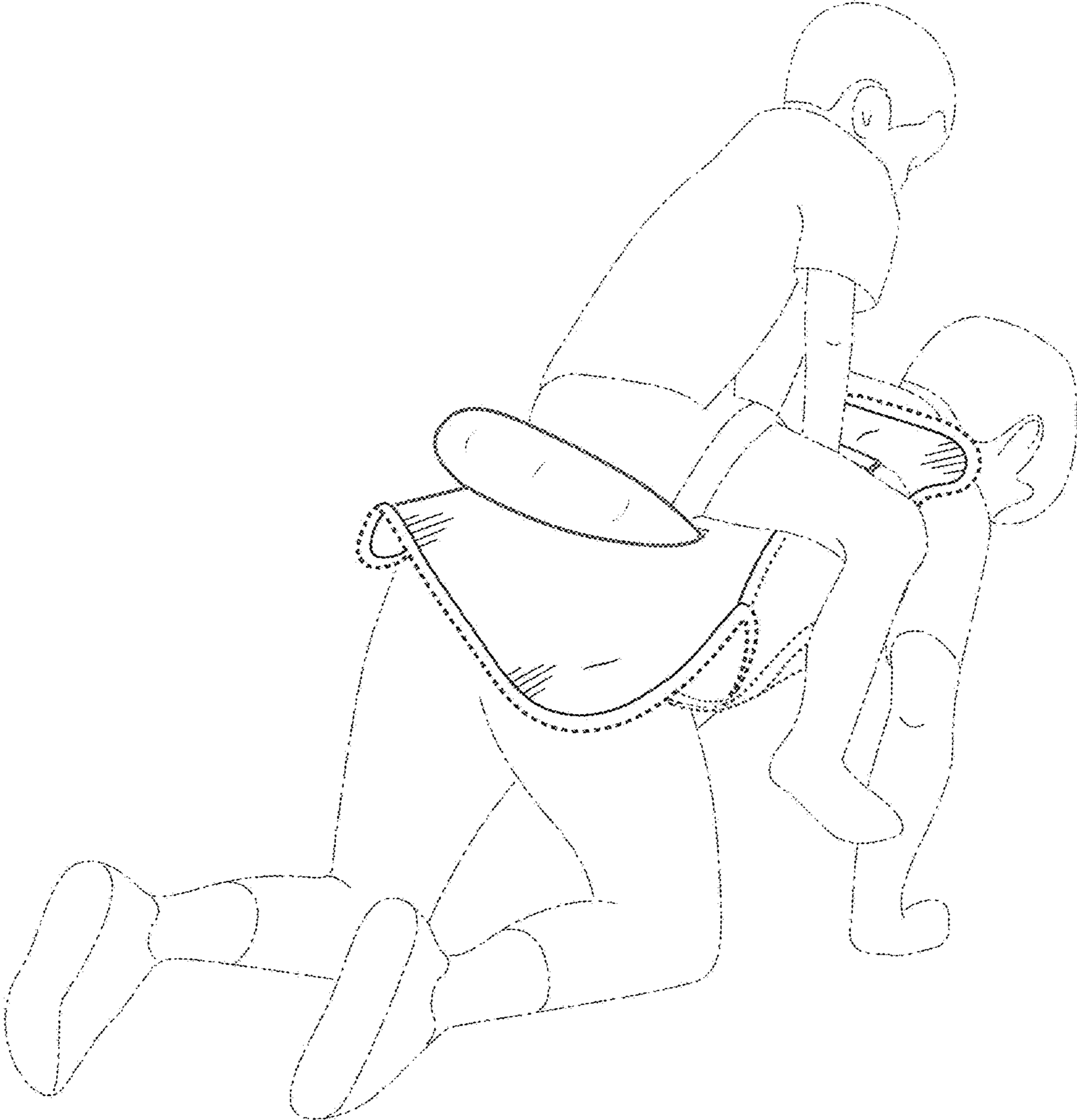


FIG. 11