



US00D847905S

(12) **United States Design Patent** (10) **Patent No.:** **US D847,905 S**
Lewis et al. (45) **Date of Patent:** **** *May 7, 2019**

(54) **GAME TOWER**

(71) Applicant: **AGS LLC**, Las Vegas, NV (US)

(72) Inventors: **Rachel Calhoun Lewis**, Atlanta, GA (US); **Ian Robert Scott**, Duluth, GA (US); **Karl Frederick Zedell, Jr.**, Alpharetta, GA (US)

(73) Assignee: **AGS LLC**, Las Vegas, NV (US)

(*) Notice: This patent is subject to a terminal disclaimer.

(**) Term: **15 Years**

(21) Appl. No.: **29/631,060**

(22) Filed: **Dec. 27, 2017**

Related U.S. Application Data

(62) Division of application No. 29/540,396, filed on Sep. 24, 2015, now Pat. No. Des. 813,954.

(51) **LOC (11) Cl.** **21-03**

(52) **U.S. Cl.**
USPC **D21/369**

(58) **Field of Classification Search**
USPC D21/369, 370, 371, 385, 329, 325, 394;
D14/307, 172, 129, 325, 401, 371, 126,
(Continued)

(56) **References Cited**

U.S. PATENT DOCUMENTS

4,440,457 A 4/1984 Fogelman et al.
D275,117 S 8/1984 Heywood
(Continued)

OTHER PUBLICATIONS

Bluebird Slant Widescreen literature from www.wms.com/
technologyandinnovation_cabinets_widcscreen.php dated May 19,

2009, showing a gaming machine cabinet that was sold and/or publicly disclosed at least as early as Dec. 13, 2008.

(Continued)

Primary Examiner — Ryan Harvey

(74) *Attorney, Agent, or Firm* — Weide & Miller, Ltd.

(57) **CLAIM**

The ornamental design for a game tower, as shown and described.

DESCRIPTION

FIG. 1 is a front perspective view from above of an embodiment of the claimed design;

FIG. 2 is a front elevation view of the claimed design of FIG. 1;

FIG. 3 is a rear elevation view of the claimed design of FIG. 1;

FIG. 4 is a first side view of the claimed design of FIG. 1;

FIG. 5 is a second side view of the claimed design of FIG. 1;

FIG. 6 is a top plan view of the claimed design of FIG. 1;

FIG. 7 is a bottom plan view of the claimed design of FIG. 1;

FIG. 8 is a front perspective view from above of another embodiment of the claimed design;

FIG. 9 is a front elevation view of the claimed design of FIG. 8;

FIG. 10 is a rear elevation view of the claimed design of FIG. 8;

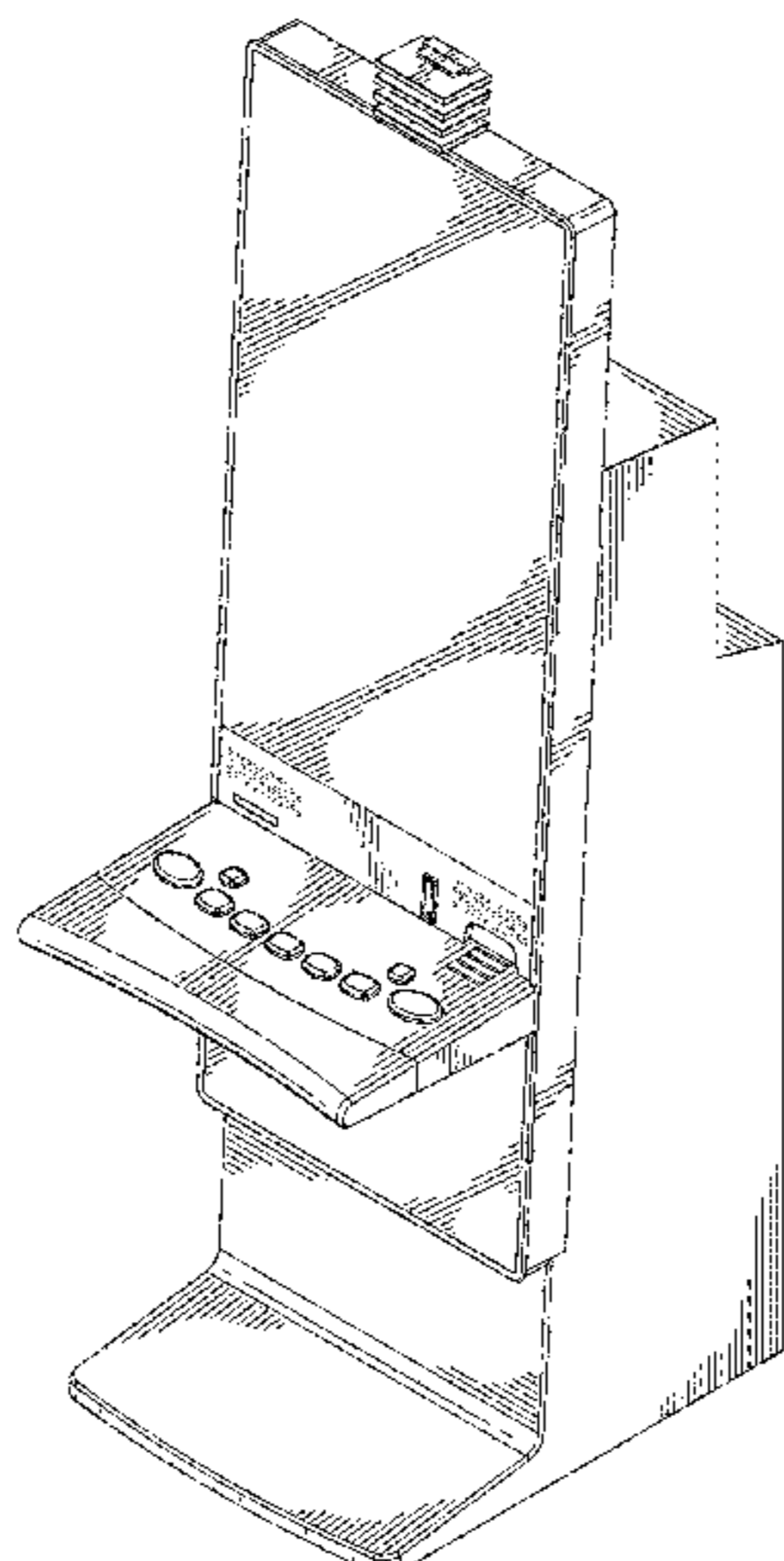
FIG. 11 is a first side view of the claimed design of FIG. 8;

FIG. 12 is a second side view of the claimed design of FIG. 8;

FIG. 13 is a top plan view of the claimed design of FIG. 8; and,

FIG. 14 is a bottom plan view of the claimed design of FIG. 8.
The broken line showing of portions of the gaming tower depicts environment and forms no part of the claim.

1 Claim, 12 Drawing Sheets



(58) **Field of Classification Search**
 USPC D14/439, 432, 450, 128, 375; 463/28,
 463/13, 11, 16, 20, 25, 31, 46, 23, 30, 17,
 463/36, 29, 42, 34, 32, 35, 19, 21, 22;
 273/292, 203, 138.2, 143 R, 142 R, 138.1;
 D19/60; D16/226; D8/335, 331, 334;
 D26/14
 CPC G07F 17/32; G07F 17/34; G07F 17/3211;
 G07F 17/3244; G07F 17/3267
 See application file for complete search history.

6,682,418 B1 1/2004 Mendes et al.
 6,702,409 B2 3/2004 Hedrick et al.
 D489,417 S 5/2004 Munoz et al.
 6,776,504 B2 8/2004 Sloan et al.
 D495,754 S 9/2004 Wurz et al.
 D495,755 S 9/2004 Wurz et al.
 D496,407 S 9/2004 Gadda et al.
 D498,267 S 11/2004 Crouch et al.
 D499,019 S 11/2004 Sagmeister et al.
 6,834,979 B1 12/2004 Cleaver et al.
 6,860,814 B2 3/2005 Cole
 6,897,624 B2 5/2005 Lys et al.
 6,899,626 B1 5/2005 Luciano et al.
 6,906,860 B2 6/2005 Starkweather
 D508,268 S 8/2005 Hanchar et al.
 D508,961 S 8/2005 Gatto et al.
 6,948,829 B2 9/2005 Verdes et al.
 D513,044 S 12/2005 Morrison
 6,997,810 B2 2/2006 Cole
 7,014,563 B2 3/2006 Stephan et al.
 D525,664 S 7/2006 Cole
 7,123,811 B1 10/2006 Chen et al.
 D535,338 S 1/2007 Linard et al.
 7,178,941 B2 2/2007 Roberge et al.
 7,213,941 B2 5/2007 Sloan et al.
 7,237,925 B2 7/2007 Mayer et al.
 7,284,876 B2 10/2007 Ericson
 D557,348 S 12/2007 Gutknecht et al.
 D559,917 S 1/2008 Cole
 7,331,694 B2 2/2008 Lee et al.
 D563,481 S 3/2008 Looks et al.
 D564,601 S 3/2008 Starhinic et al.
 7,339,782 B1 3/2008 Landes et al.
 D566,197 S 4/2008 Greenberg et al.
 7,355,573 B2 4/2008 Ogawa
 7,364,505 B2 4/2008 Malice et al.
 7,367,145 B2 5/2008 Mou
 7,367,685 B2 5/2008 Moll
 7,390,257 B2 6/2008 Paulsen et al.
 D573,200 S 7/2008 Hashimoto et al.
 7,397,387 B2 7/2008 Suzuki et al.
 7,423,864 B2 9/2008 Kim et al.
 7,442,125 B2 10/2008 Paulsen et al.
 7,476,154 B2 1/2009 Kogo et al.
 D586,866 S 2/2009 Hsu
 7,506,463 B2 3/2009 Holst
 7,506,997 B1 3/2009 Eriksson
 7,513,830 B2 4/2009 Hajder et al.
 D592,053 S 5/2009 Suzuki
 D592,709 S 5/2009 McComb et al.
 D599,859 S 9/2009 Lesley et al.
 D602,772 S 10/2009 Suzuki et al.
 D603,909 S 11/2009 De Viveiros Ortiz
 D604,368 S 11/2009 Lesley et al.
 D605,231 S 12/2009 Hashimoto et al.
 7,641,554 B2 1/2010 Paulsen et al.
 7,654,899 B2 2/2010 Durham et al.
 7,667,891 B2 2/2010 Cok et al.
 D615,598 S 5/2010 McComb et al.
 7,708,640 B2 5/2010 Burak et al.
 D619,177 S 7/2010 Lee
 D619,660 S 7/2010 Cole et al.
 7,803,053 B2 9/2010 Atkinson
 D626,182 S 10/2010 Cole et al.
 D626,183 S 10/2010 Cole et al.
 7,826,006 B2 11/2010 Koganezawa
 7,828,461 B2 11/2010 Mayer et al.
 7,833,102 B2 11/2010 Beadell et al.
 D633,950 S 3/2011 Terpstra et al.
 7,927,218 B2 4/2011 Kopera et al.
 7,966,485 B2 6/2011 Chen et al.
 D646,336 S 10/2011 Kelly et al.
 D649,605 S 11/2011 Terpstra et al.
 8,054,243 B2 11/2011 Sokolov et al.
 8,075,385 B2 12/2011 Jackson
 8,241,124 B2 8/2012 Kelly et al.
 8,272,957 B2 9/2012 Crowder, Jr. et al.
 D671,425 S 11/2012 Huljak et al.
 D673,619 S * 1/2013 Seelig

(56) **References Cited**

U.S. PATENT DOCUMENTS

4,844,567 A 7/1989 Chalabian
 4,918,579 A 4/1990 Bennett
 D307,771 S 5/1990 Cesaroni et al.
 5,057,827 A 10/1991 Nobile et al.
 5,108,099 A 4/1992 Smyth
 5,113,990 A 5/1992 Gabrius et al.
 D333,164 S 2/1993 Kraft et al.
 5,302,965 A 4/1994 Belcher et al.
 D352,330 S 11/1994 Smith
 5,381,502 A 1/1995 Veligdan
 5,521,587 A 5/1996 Sawabe et al.
 D373,809 S 9/1996 Hirato
 5,561,346 A 10/1996 Byrne
 D380,014 S 6/1997 Yang
 D381,697 S 7/1997 Brettschneider
 D381,700 S 7/1997 Brettschneider
 5,670,971 A 9/1997 Tokimoto et al.
 D386,796 S 11/1997 Komori
 5,695,402 A 12/1997 Stupak
 5,813,914 A 9/1998 McKay et al.
 5,818,401 A 10/1998 Wang
 5,826,882 A 10/1998 Ward
 5,836,819 A 11/1998 Ugawa
 D407,758 S 4/1999 Isentani et al.
 D410,039 S 5/1999 McClellan
 D413,635 S 9/1999 Taylor
 D421,631 S 3/2000 Tsuda
 D424,122 S 5/2000 Dickenson et al.
 6,068,101 A 5/2000 Dickenson et al.
 D428,062 S 7/2000 Hayashi
 6,095,526 A 8/2000 Cook, II
 6,135,884 A 10/2000 Hedrick et al.
 6,164,645 A 12/2000 Weiss
 D436,380 S 1/2001 Brettschneider
 6,176,584 B1 1/2001 Best et al.
 6,183,109 B1 2/2001 Nelson et al.
 6,186,645 B1 2/2001 Camarota
 6,201,703 B1 3/2001 Yamada et al.
 D439,931 S 4/2001 Yamaguchi
 D442,640 S 5/2001 Hayashi
 6,265,984 B1 6/2001 Molinaroli
 D446,252 S 8/2001 Yamaguchi
 D447,052 S 8/2001 Goserud
 6,278,419 B1 8/2001 Malkin
 6,283,608 B1 9/2001 Straat
 6,319,125 B1 11/2001 Acres
 6,332,690 B1 12/2001 Murofushi
 6,334,612 B1 1/2002 Wurz et al.
 D456,750 S 5/2002 McWilliams et al.
 D459,402 S 6/2002 Wurz et al.
 D460,915 S 7/2002 Lynch
 6,443,837 B1 9/2002 Jaffe et al.
 D464,377 S 10/2002 Wurz et al.
 D466,160 S 11/2002 Hirato et al.
 6,475,087 B1 11/2002 Cole
 D471,594 S 3/2003 Nojo
 6,577,286 B1 6/2003 Jang
 6,578,847 B1 6/2003 Hendrick et al.
 6,579,174 B1 6/2003 Lane et al.
 6,592,238 B2 7/2003 Cleaver et al.
 D481,078 S 10/2003 Stephan
 6,641,484 B2 11/2003 Oles et al.

D21/369

(56)

References Cited

U.S. PATENT DOCUMENTS

D673,620 S * 1/2013 Johnson D21/369
D673,621 S * 1/2013 Johnson D21/369
D677,736 S 3/2013 Dorn et al.
D678,761 S 3/2013 Cooper
8,430,756 B2 4/2013 McComb et al.
D684,216 S 6/2013 Terpstra et al.
D684,637 S 6/2013 Shelley et al.
D685,435 S 7/2013 Hohman et al.
8,550,913 B2 10/2013 Kelly et al.
D696,109 S 12/2013 Wilker
D697,558 S 1/2014 Myers et al.
8,651,963 B1 2/2014 Thompson
D701,114 S 3/2014 Baumwald et al.
D705,872 S 5/2014 Ortiz
D708,676 S 7/2014 Ballman et al.
8,814,707 B2 8/2014 Slattery
8,827,819 B2 9/2014 Thompson
D714,875 S 10/2014 Wudtke et al.
D715,364 S 10/2014 Wudtke et al.
8,851,989 B2 * 10/2014 Rosander G07F 17/3216
463/31
D720,211 S 12/2014 Brown et al.
D723,022 S 2/2015 Miles
D723,626 S * 3/2015 Vasquez D21/370
8,974,297 B2 3/2015 Massing et al.
D727,431 S 4/2015 Themann
D732,520 S 6/2015 Themann
D733,088 S * 6/2015 Garneau D14/172
9,064,372 B2 6/2015 Rasmussen et al.
D740,887 S 10/2015 Randazzo
D745,093 S 12/2015 Weiss et al.
D756,236 S 5/2016 DePaz et al.
D762,613 S * 8/2016 Garneau D14/172
D763,361 S * 8/2016 Rosander D21/370
RE46,169 E 10/2016 Kelly et al.
D770,090 S 10/2016 Zahr et al.
9,478,097 B2 10/2016 Hennessy et al.
9,504,919 B2 11/2016 Taylor et al.
D776,801 S 1/2017 Tamura et al.
9,573,050 B2 2/2017 Thompson et al.
9,679,435 B2 6/2017 Schrementi et al.
9,711,001 B2 7/2017 Zedell, Jr. et al.
9,745,107 B2 8/2017 Zahr et al.
D798,389 S 9/2017 Weiss et al.
D801,437 S 10/2017 Hohman
D813,954 S * 3/2018 Calhoun D21/369
2003/0064814 A1 4/2003 Stephan et al.
2004/0001335 A1 1/2004 Wu
2004/0053663 A1 3/2004 Paulsen et al.
2004/0053699 A1 3/2004 Rasmussen et al.
2004/0224776 A1 11/2004 Nagano
2004/0229698 A1 11/2004 Lind et al.
2005/0059486 A1 3/2005 Kaminkow
2005/0130746 A1 6/2005 Stephenson, III et al.
2005/0215325 A1 9/2005 Nguyen et al.
2005/0261057 A1 11/2005 Bleich et al.
2006/0030412 A1 2/2006 Cole
2006/0073900 A1 4/2006 Cole
2006/0094511 A1 5/2006 Roireau
2006/0100013 A1 5/2006 Enzminger
2006/0131810 A1 6/2006 Nicely
2006/0183552 A1 8/2006 DiMichele
2006/0205498 A1 9/2006 Kogo et al.
2007/0010318 A1 1/2007 Rigsby et al.
2007/0035965 A1 2/2007 Holst
2007/0060387 A1 3/2007 Enzminger et al.
2007/0149291 A1 6/2007 Mitchell
2007/0159820 A1 7/2007 Crandell et al.
2007/0171640 A1 7/2007 Sloan et al.
2007/0197301 A1 8/2007 Cole
2007/0225079 A1 9/2007 Cole
2007/0287527 A1 12/2007 Tanabe et al.
2007/0287528 A1 12/2007 Hirato et al.
2007/0287544 A1 12/2007 Hirato et al.
2008/0020838 A1 1/2008 Slattery

2008/0076553 A1 3/2008 Paulsen et al.
2008/0113794 A1 * 5/2008 Cole G07F 17/32
463/31
2008/0119288 A1 5/2008 Rasmussen
2008/0186415 A1 8/2008 Boud et al.
2008/0194313 A1 8/2008 Walker
2008/0227522 A1 9/2008 Toyoda
2008/0248852 A1 10/2008 Rasmussen
2008/0268949 A1 10/2008 Dell
2009/0011839 A1 1/2009 Cole
2009/0036208 A1 2/2009 Pennington et al.
2009/0045723 A1 2/2009 Ishikawa
2009/0179597 A1 7/2009 Salmon
2009/0247261 A1 10/2009 Koami
2009/0275389 A1 11/2009 Englman et al.
2010/0016084 A1 1/2010 Bleich et al.
2010/0020546 A1 1/2010 Kukita
2010/0120518 A1 5/2010 Borissov et al.
2010/0120541 A1 5/2010 Lesley
2010/0137060 A1 6/2010 Cole
2011/0118034 A1 5/2011 Jaffe et al.
2011/0136573 A1 6/2011 McComb et al.
2011/0195775 A1 8/2011 Wells
2011/0319152 A1 12/2011 Ross et al.
2012/0178523 A1 7/2012 Greenberg et al.
2013/0084948 A1 * 4/2013 Watkins G07F 17/3276
463/23
2014/0132891 A1 5/2014 Tohyama et al.
2014/0206432 A1 7/2014 Radek et al.
2014/0250409 A1 9/2014 Shah et al.
2014/0256409 A1 9/2014 Wood et al.
2014/0268876 A1 9/2014 Lee et al.
2014/0323212 A1 10/2014 Thompson et al.
2015/0141113 A1 5/2015 Melnick et al.
2015/0269810 A1 9/2015 Wolf et al.
2015/0336005 A1 11/2015 Melnick et al.
2017/0178443 A1 6/2017 Calhoun et al.
2017/0178444 A1 6/2017 Lee et al.
2018/0082523 A1 * 3/2018 Palermo G07F 17/3216

OTHER PUBLICATIONS

Icon by AGS, <http://www.playags.com/portfolio/icon/>, 3 pages, Feb. 23, 2016.
International Search Report and Written Opinion for PCT/US16/66904 dated Apr. 25, 2017, 12 pages.
Orion by AGS, <http://www.playags.com/portfolio/orion/>, 3 pages, Sep. 15, 2016.
Spec International, Inc., GEN-311 gaming machine cabinet, publicly disclosed at least as early as Dec. 13, 2008.
Non-Published U.S. Appl. No. 12/947,695, filed Nov. 16, 2010, titled Edge Lighted Gaming Panels for Electronic Gaming Device.
Non-published Design U.S. Appl. No. 29/540,241, filed Sep. 22, 2015, titled Gaming Device Wall of Light.
Non-Published Design U.S. Appl. No. 29/540,396, filed Sep. 24, 2015, titled Game Tower.
Genesis DVI Cabinets by Cadillac Jack circa 2010.
Infinity Super Skybox by Incredible Technologies, <https://gaming.itsgames.com/cabinets/infinity-super-skybox>, Aug. 11, 2016.
Super Sky Wheel Slot Makes World Premiere at Borgata—Borgata Blog, <http://blog.theborgata.com/2016/06/16/super-sky-wheel-slot-makes-world-premiere-at-borgata/>, Jun. 16, 2016.
Aristocrat Brings the Game Forward With Advanced New Helix Slant Cabinet, Market Wired, <http://www.marketwired.com/press-release/aristocrat-brings-the-game-forward-with-advanced-new-helix-slant-cabinet-asx-a11-1904223.htm>, Apr. 29, 2014.
Helix+ by Aristocrat, 2016.
Helix Upright by Aristocrat, 2014.
b.Pod by Bluberi, <https://www.bluberi.com/bluberi-bpod/>, Accessed Feb. 27, 2018.
Bluberi Set to Reveal Dramatic New Product Line-Up at G2E 2017, Press Release, Soloazar, <http://www.soloazar.com/international/noticia/19870-Bluberi-Set-to-Reveal-Dramatic-New-Product-Line-Up-at-G2E-2017>, Sep. 15, 2017.

(56)

References Cited

OTHER PUBLICATIONS

AGS LLC; Exhibit 22 to Response to Office Action filed Jul. 27, 2018 with U.S. Appl. No. 87/620,830; 24 pages.

* cited by examiner

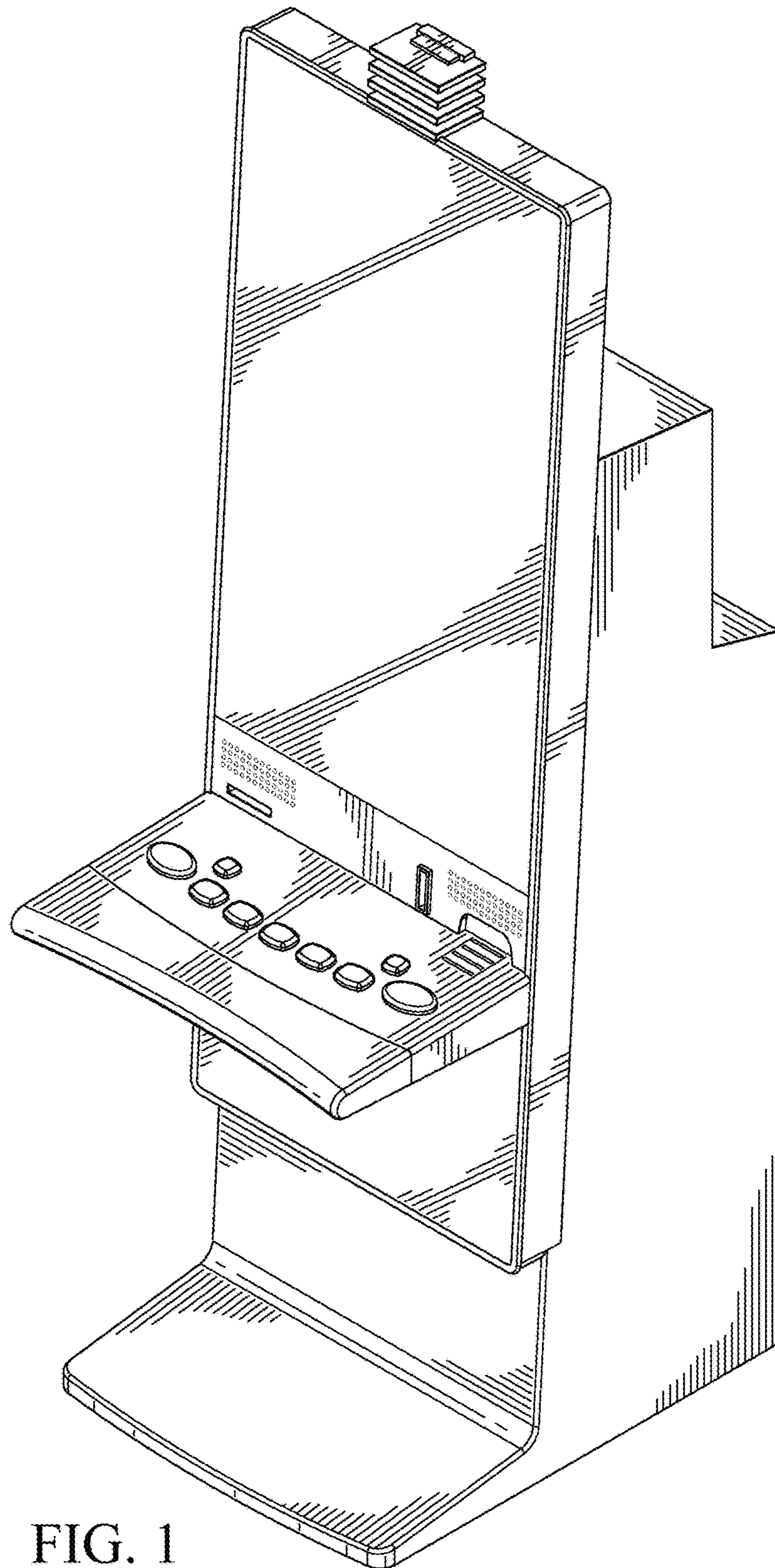


FIG. 1

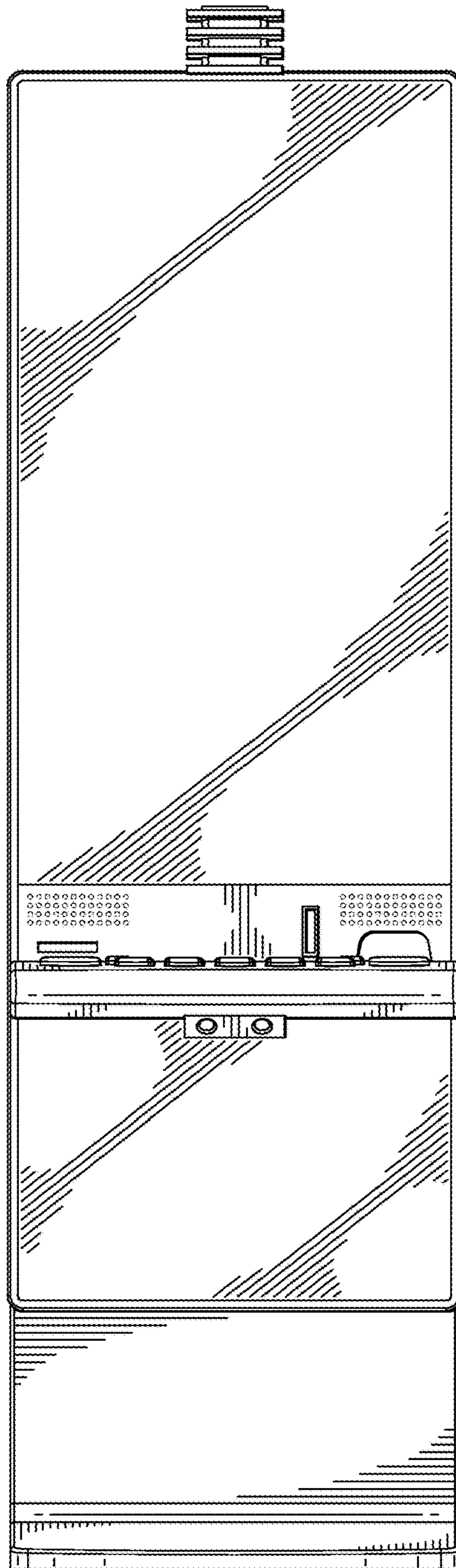


FIG. 2

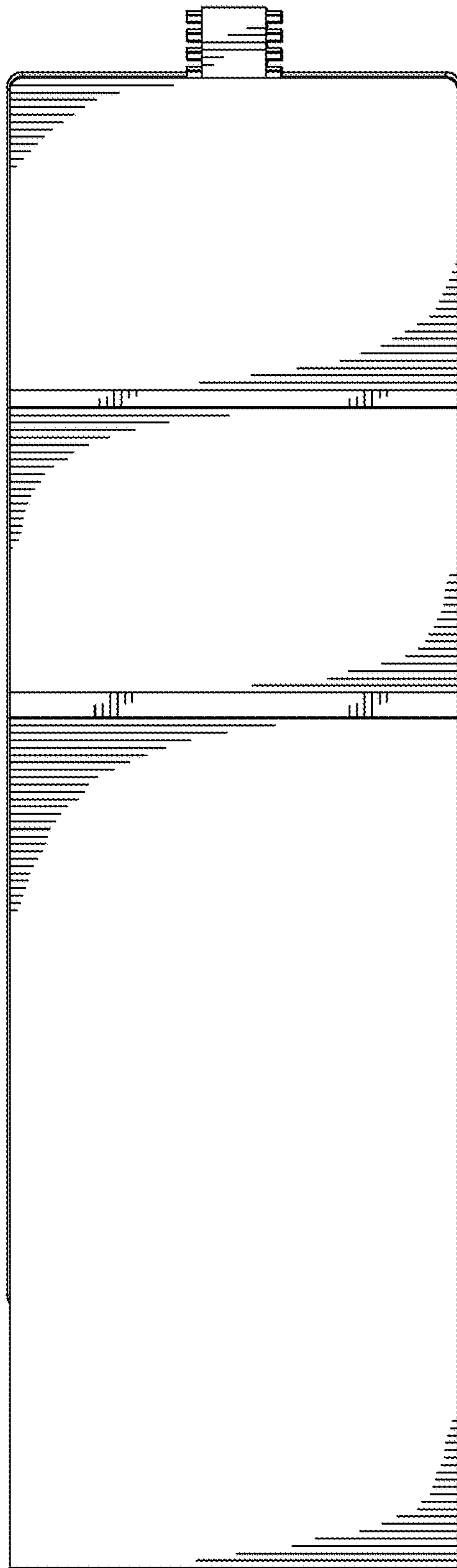


FIG. 3

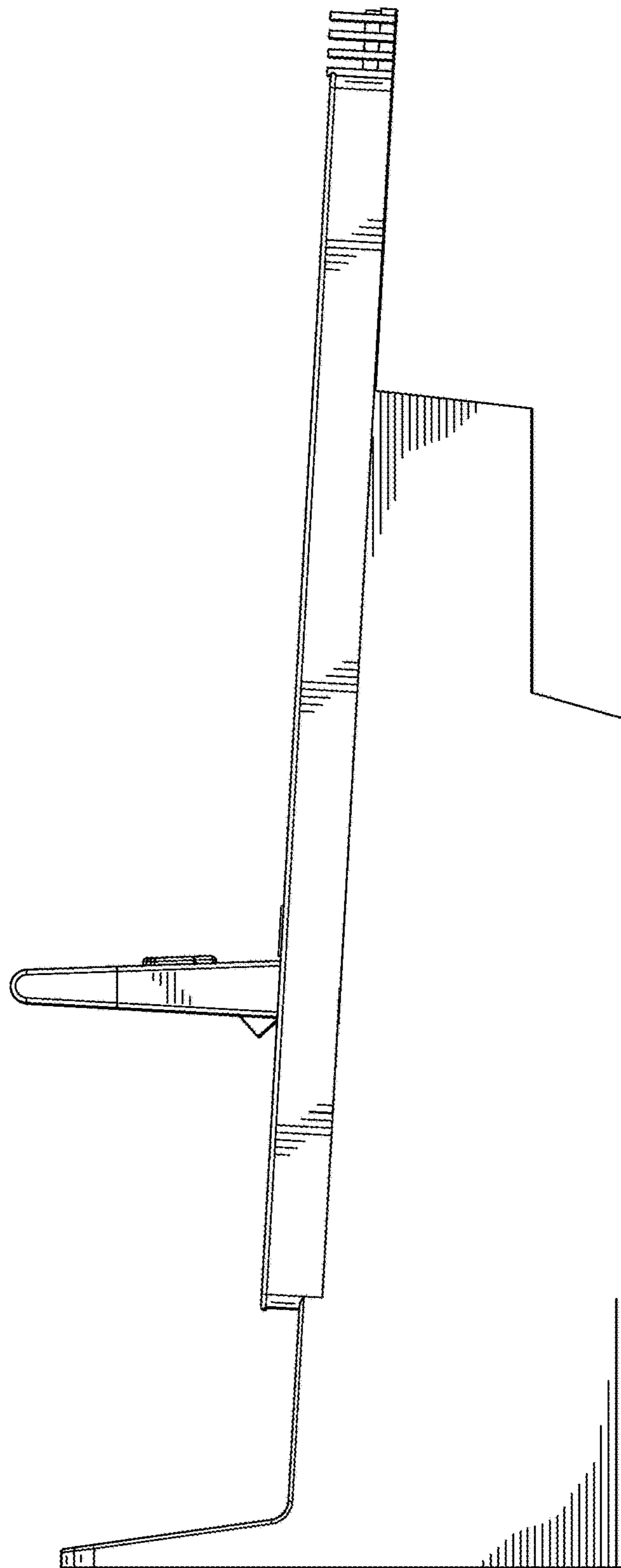


FIG. 4

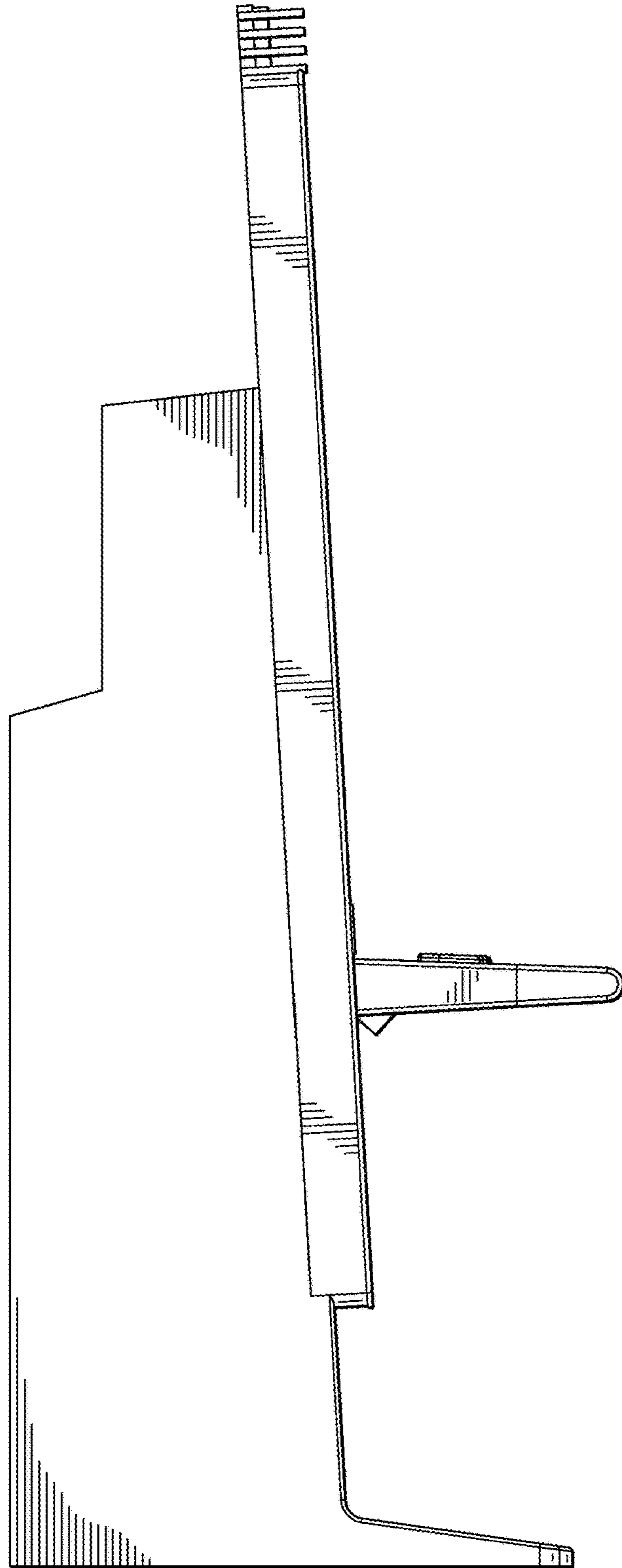


FIG. 5

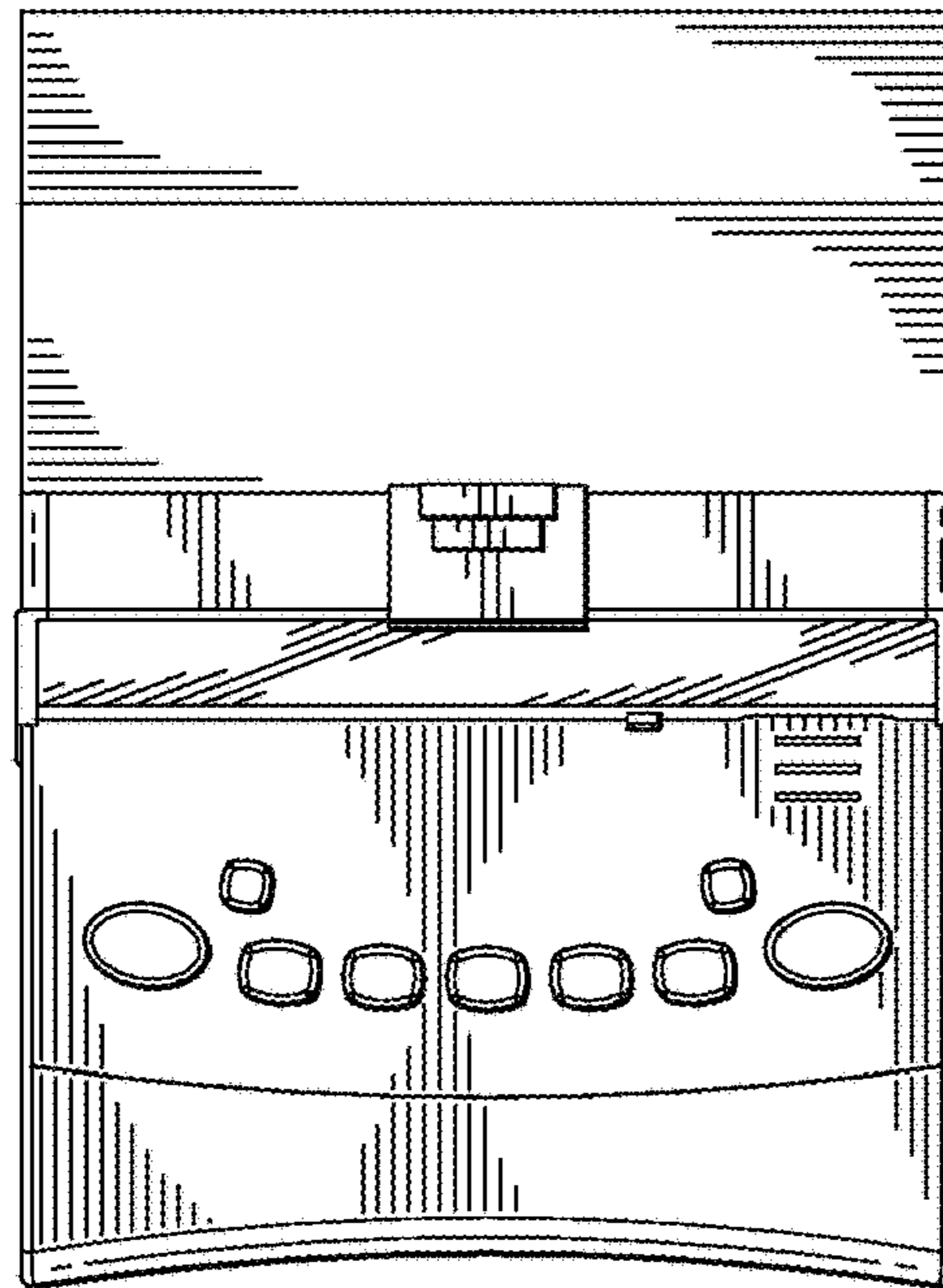


FIG. 6

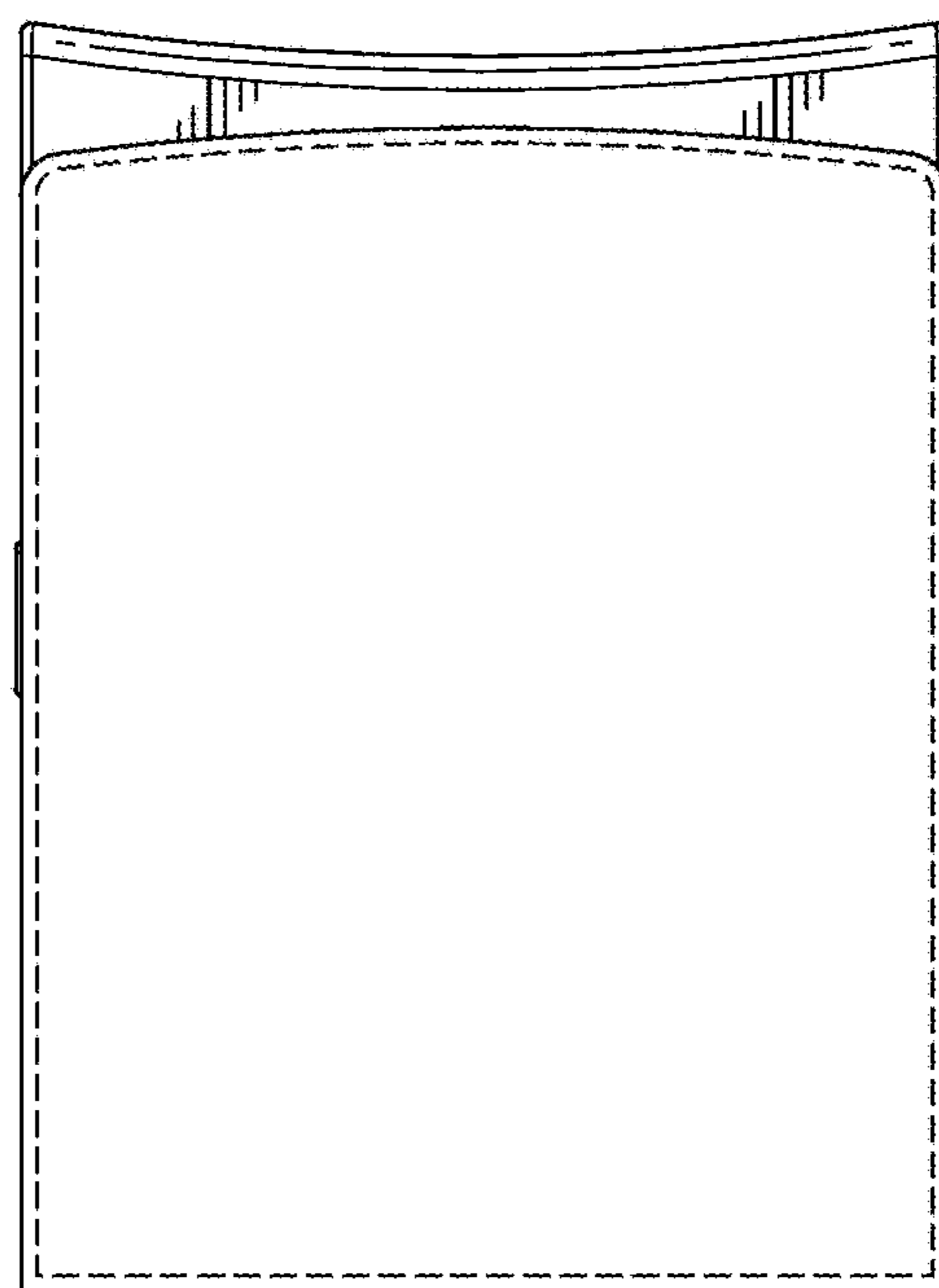


FIG. 7

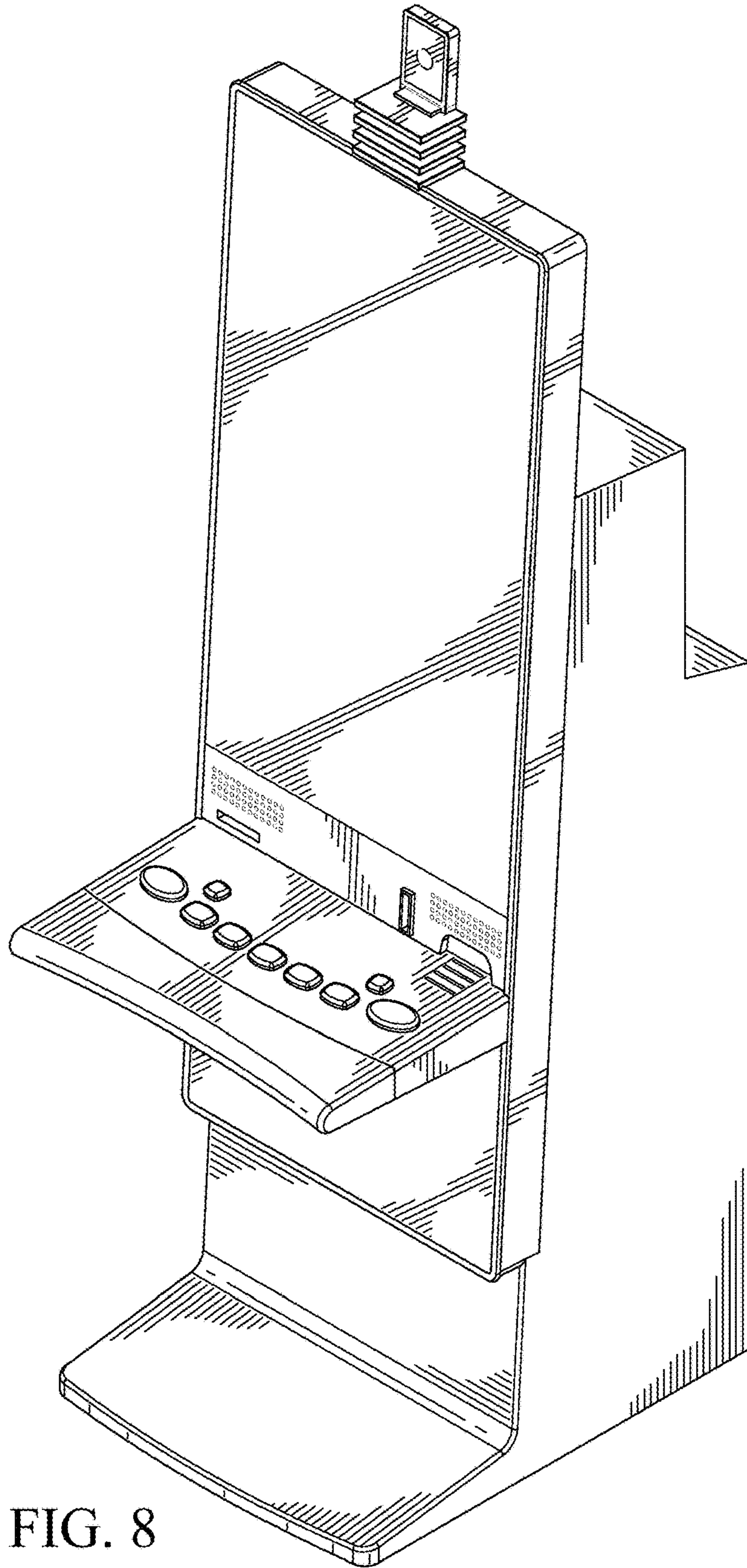


FIG. 8

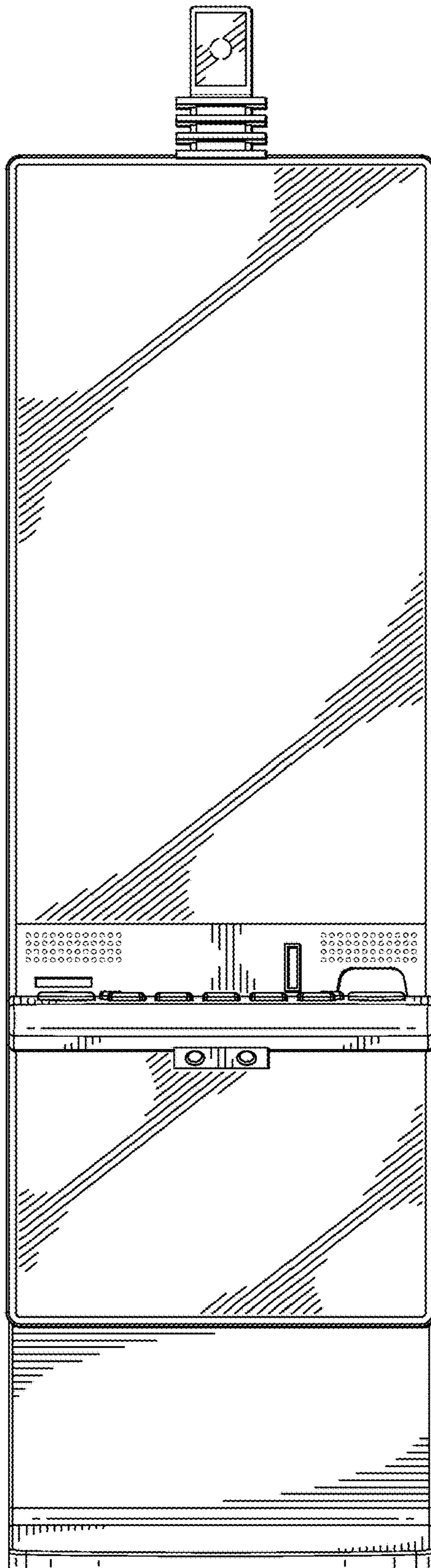


FIG. 9

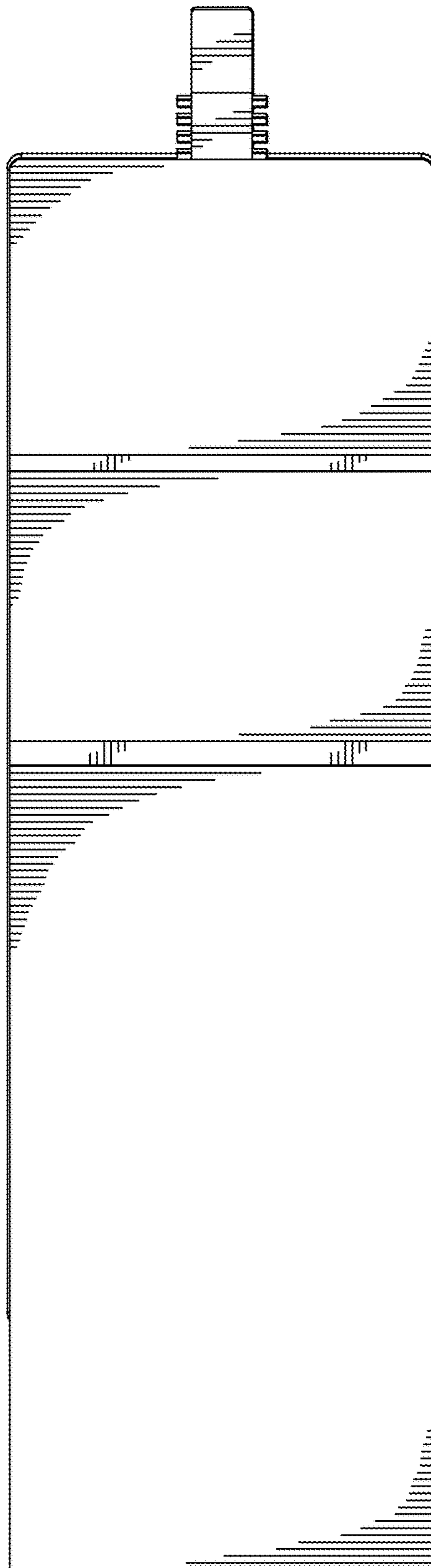


FIG. 10

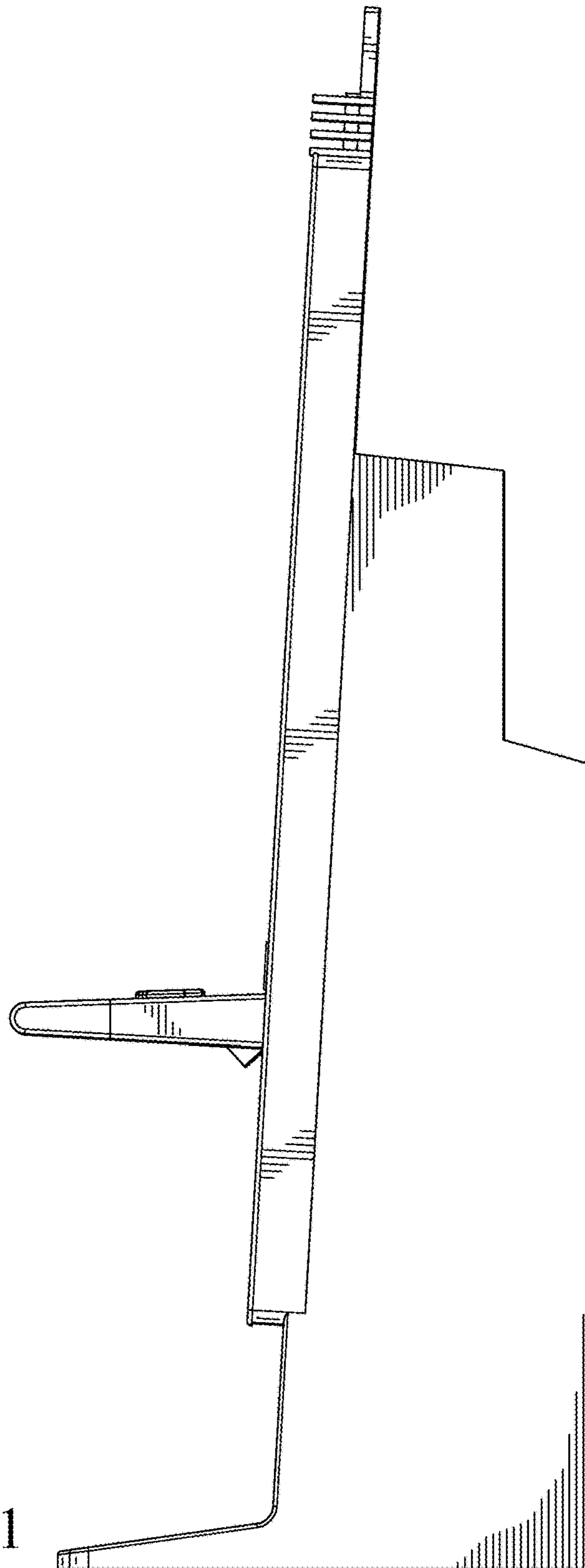


FIG. 11

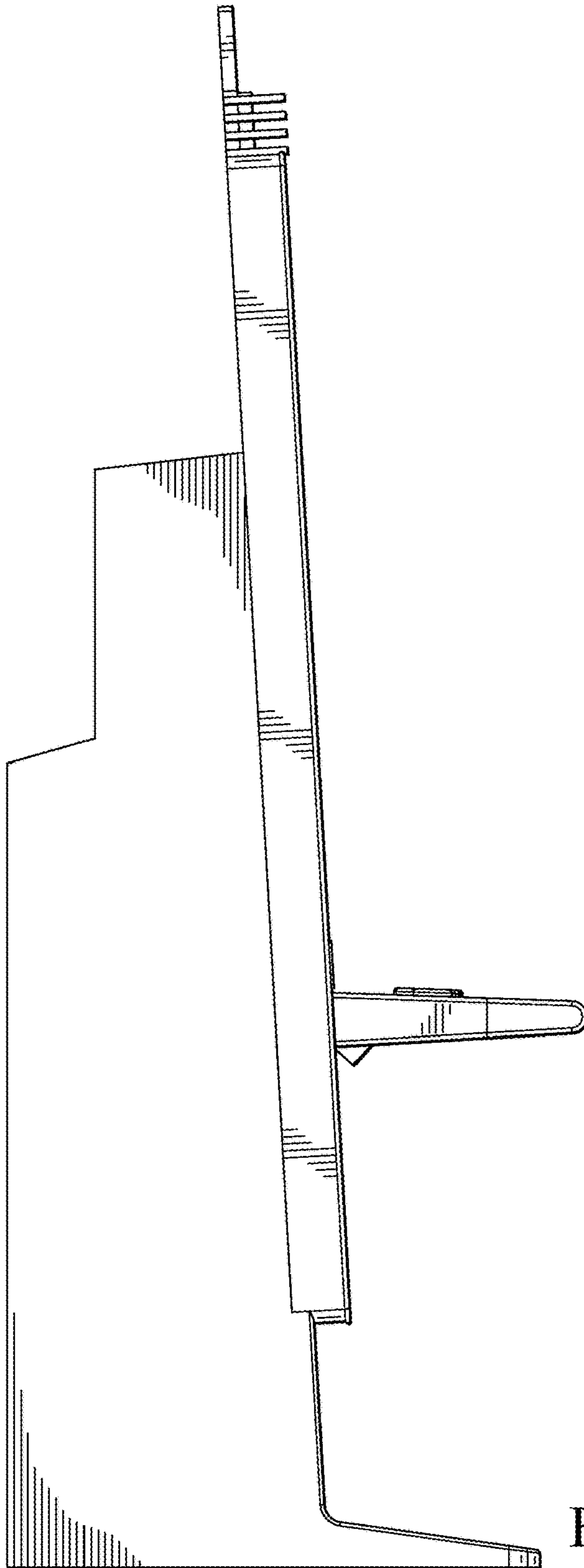


FIG. 12

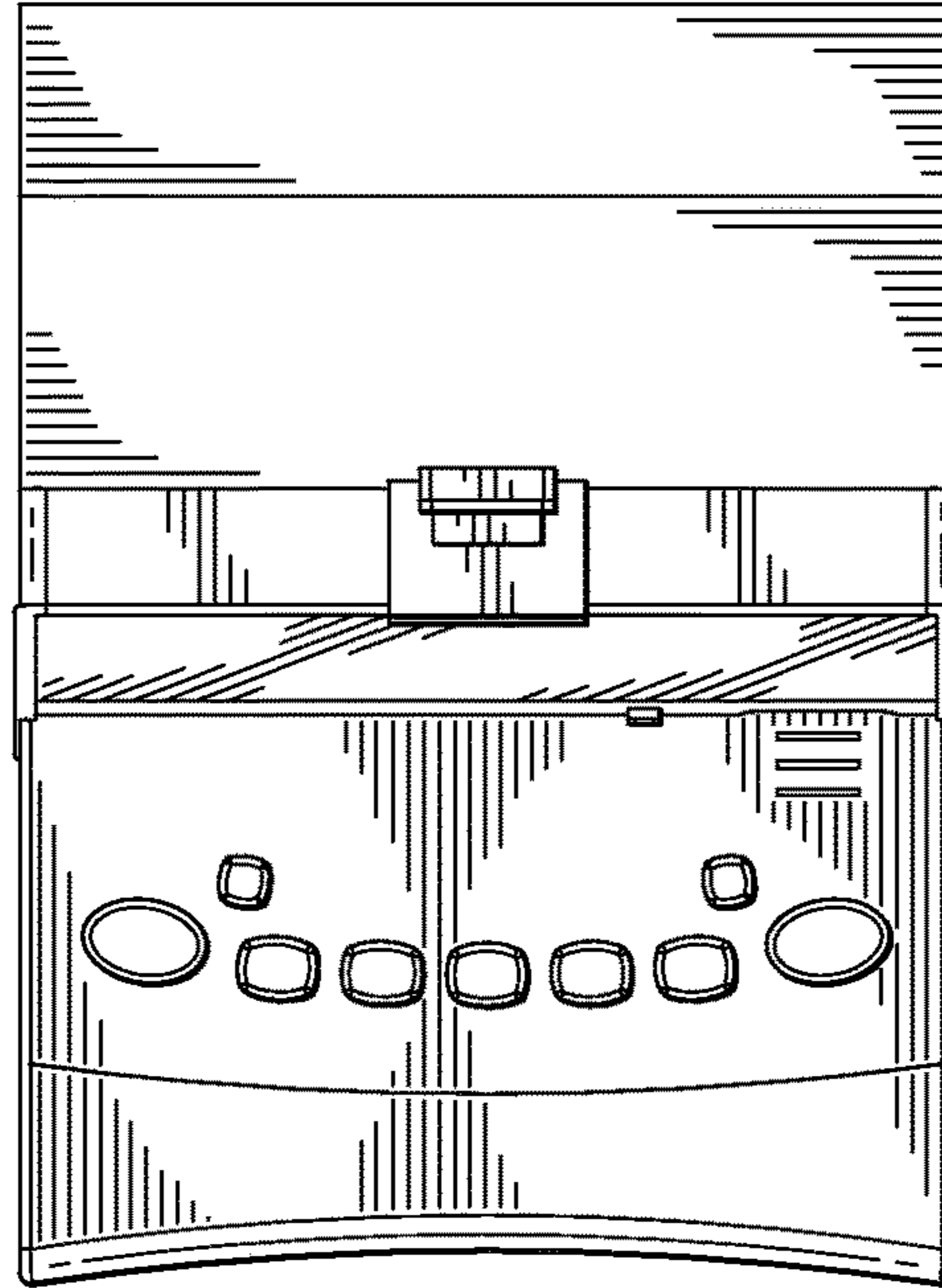


FIG. 13

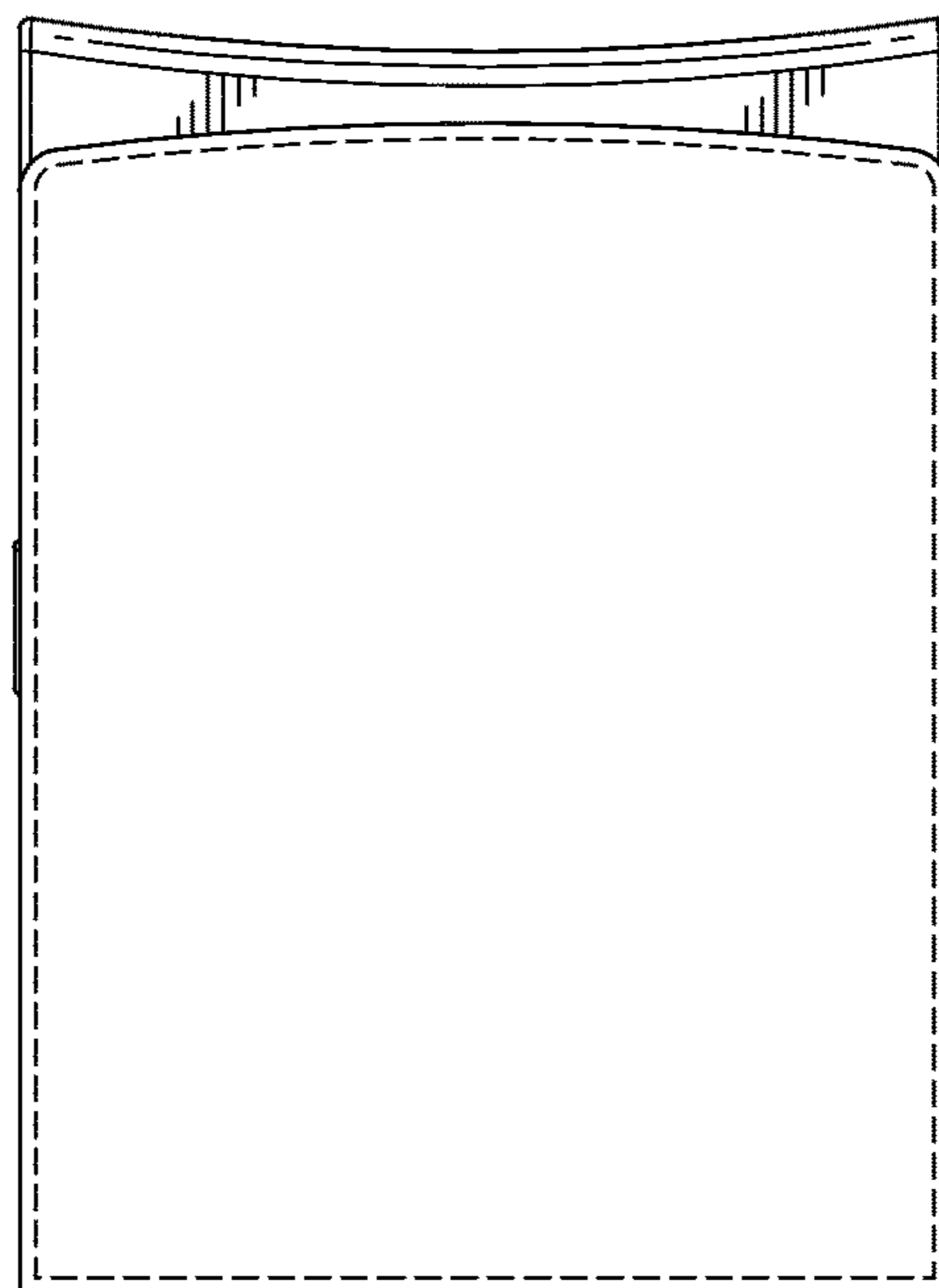


FIG. 14