



US00D847903S

(12) **United States Design Patent** (10) **Patent No.:** **US D847,903 S**
Chatterjee et al. (45) **Date of Patent:** **** May 7, 2019**

(54) **CONTROLLER**

(71) Applicant: **Microsoft Corporation**, Redmond, WA (US)

(72) Inventors: **Monique Chatterjee**, Seattle, WA (US); **Austin Porter**, Seattle, WA (US); **Richard T. Hanks**, Seattle, WA (US); **William Bennett Mabry**, Seattle, WA (US); **Matthew Harvey**, Seattle, WA (US)

(73) Assignee: **Microsoft Corporation**, Redmond, WA (US)

(**) Term: **15 Years**

(21) Appl. No.: **29/614,380**

(22) Filed: **Aug. 18, 2017**

(51) **LOC (11) Cl.** **21-01**

(52) **U.S. Cl.**
USPC **D21/333**

(58) **Field of Classification Search**
USPC D21/333; D5/58, 60–62; D14/174, 218, D14/387, 388, 389, 400, 401, 443, 449, D14/450, 454, 471, 511; D18/19; D12/174, 177; D13/164, 168
CPC H01H 9/0214; A63F 13/24; A63F 13/22; G06F 1/1666; H04N 7/14; H04N 21/00
See application file for complete search history.

(56) **References Cited**

U.S. PATENT DOCUMENTS

D659,140 S *	5/2012	Ikeda	D14/401
D694,830 S *	12/2013	Crowley	D14/401
D708,615 S *	7/2014	Delrue	D14/401
D709,499 S *	7/2014	Morris	D14/401
D709,882 S *	7/2014	Morris	D14/401
D765,790 S *	9/2016	Chatterjee	D14/401
D765,791 S *	9/2016	Chatterjee	D14/401
D765,792 S *	9/2016	Chatterjee	D14/401
D765,793 S *	9/2016	Chatterjee	D14/401

D786,251 S	5/2017	Chatterjee et al.
D788,853 S	6/2017	Chatterjee et al.
D791,880 S	7/2017	Chatterjee et al.
D794,129 S	8/2017	Kujawski et al.
D794,717 S	8/2017	Kujawski et al.

(Continued)

OTHER PUBLICATIONS

“Art 3D 5 Piece Peel and Stick Tile”, posted Jun. 16, 2016 [online], [retrieved Oct. 23, 2018]. Retrived from Internet: https://www.amazon.com/Art3d-Backsplash-Kitchen-Aluminum-Surface/product-reviews/B0748BKHCF/ref=cm_cr_getr_d_paging_btm_6?ie=UTF8&reviewerType=all_reviews&sortBy=recent&pageNumber=6.*

(Continued)

Primary Examiner — Barbara Fox

Assistant Examiner — Mehri F Bajoul

(74) *Attorney, Agent, or Firm* — Banner & Witcoff, Ltd.

(57) **CLAIM**

The ornamental design for a controller, as shown and described.

DESCRIPTION

The patent or application file contains at least one drawing executed in color. Copies of this patent or patent application with color drawing(s) will be provided by the Office upon request and payment of the necessary fee.

FIG. 1 is a bottom front perspective view of a controller showing our new design;

FIG. 2 is a top front perspective view thereof;

FIG. 3 is a front view thereof;

FIG. 4 is a top view thereof;

FIG. 5 is a bottom view thereof;

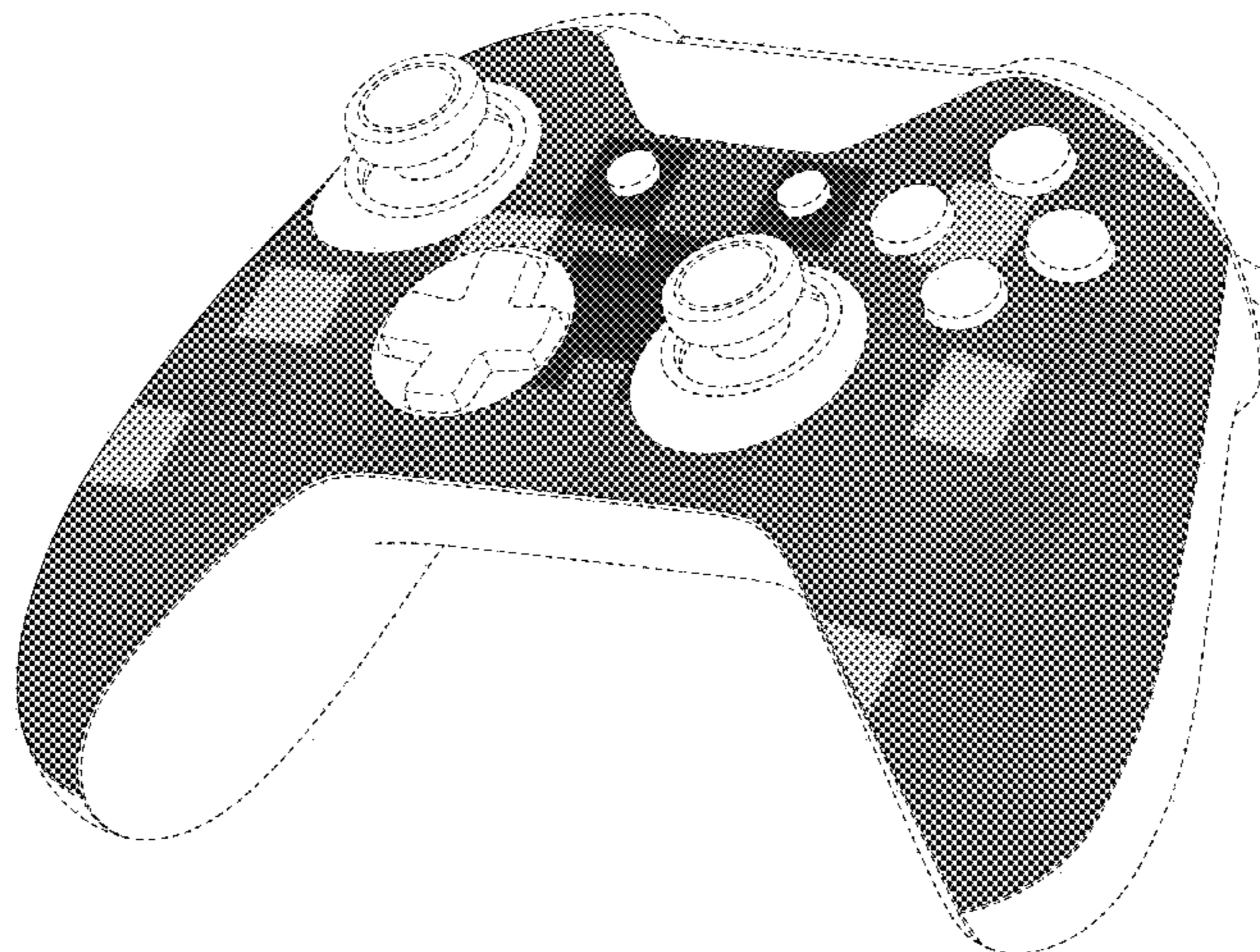
FIG. 6 is a left side view thereof;

FIG. 7 is a right side view thereof; and,

FIG. 8 is a rear view thereof.

The broken lines shown in the drawings depict portions of the controller that form no part of the claimed design.

1 Claim, 8 Drawing Sheets
(7 of 8 Drawing Sheet(s) Filed in Color)



(56)

References Cited

U.S. PATENT DOCUMENTS

D795,350 S * 8/2017 Chatterjee D21/333
2016/0317925 A1 * 11/2016 Miller A63F 13/42
2016/0354685 A1 * 12/2016 Kujawski A63F 13/24
2016/0361639 A1 * 12/2016 Schmitz A63F 13/24
2018/0207523 A1 * 7/2018 Lyden A63F 13/24

OTHER PUBLICATIONS

“Tavertine Roman”, posted Feb. 13, 2015 [online], [retrieved Oct. 23, 2018].Retrived from Internet:https://www.amazon.com/Travertine-Versailles-Pattern-Unfilled-Chiseled/dp/B0032MSJ24/ref=sr_1_fkmr0_1?ie=UTF8&qid=1540316205&sr=8-1-fkmr0&keywords=Scabos+Roman+Pattern+Tumbled+Random+Sized+Stone+Mosaic+Tile#customerReviews.*

Official Minecraft Wiki; “Creeper”; Date Accessed: Jul. 26, 2017; URL: <<https://minecraft.gamepedia.com/Creeper>>.

Minecraft Wiki; “Grass”; Date Accessed: Jul. 26, 2017; URL: <<http://minecraft.wikia.com/wiki/Grass>>.

Official Minecraft Wiki; “Pig”; Date Accessed: Jul. 26, 2017; URL: <<https://minecraftgamepedia.com/Pig>>.

* cited by examiner

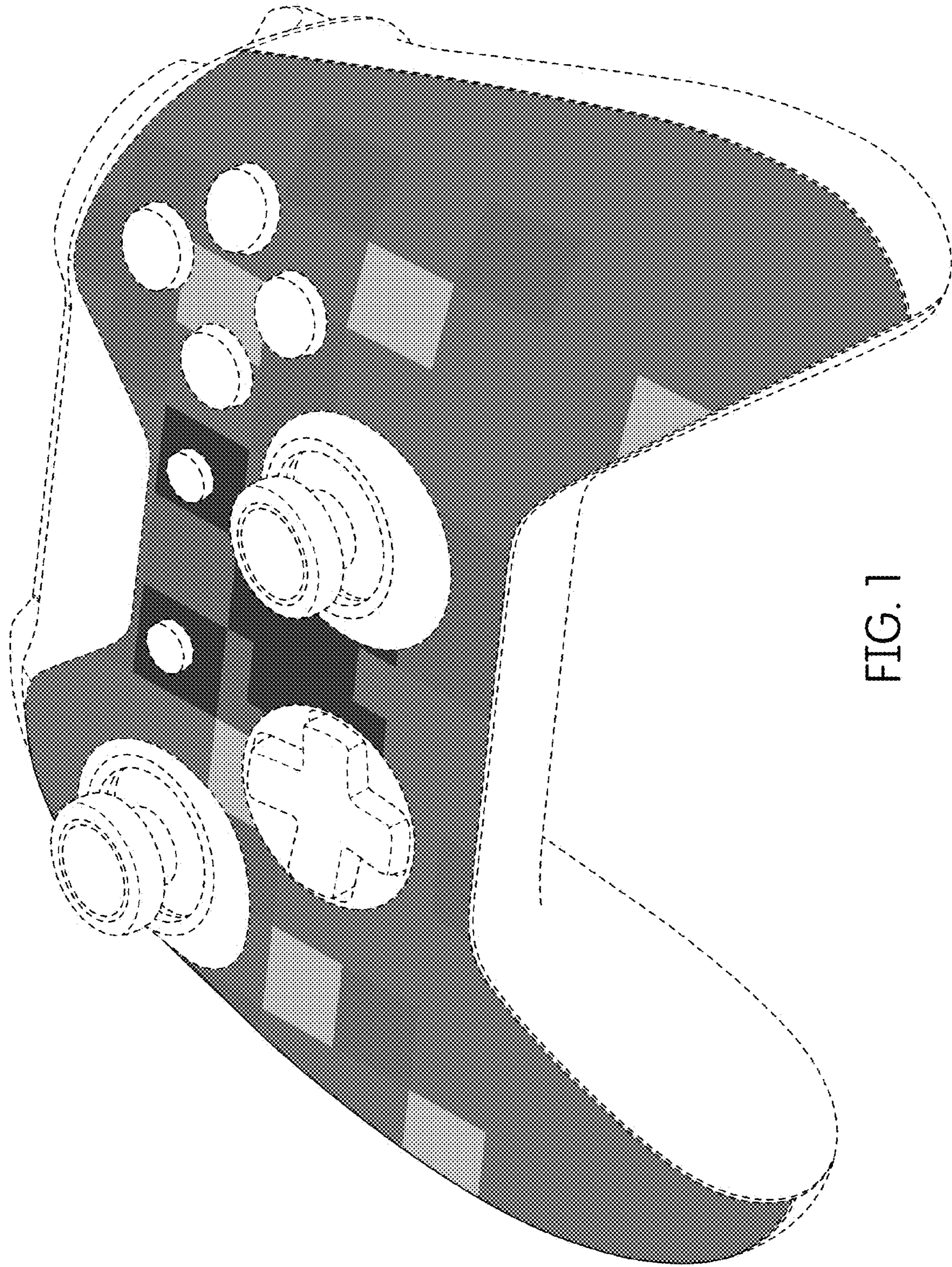


FIG. 1

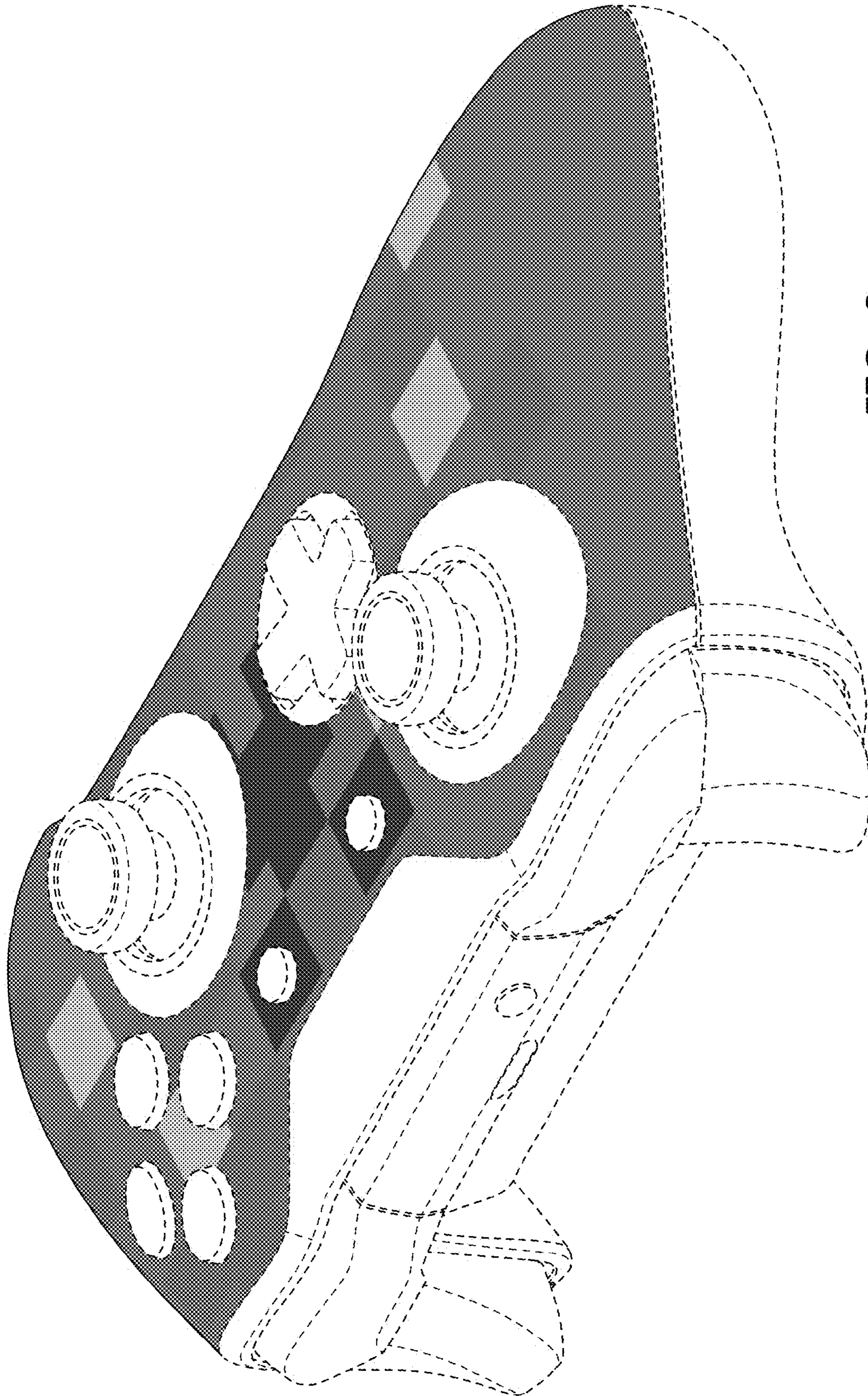


FIG. 2

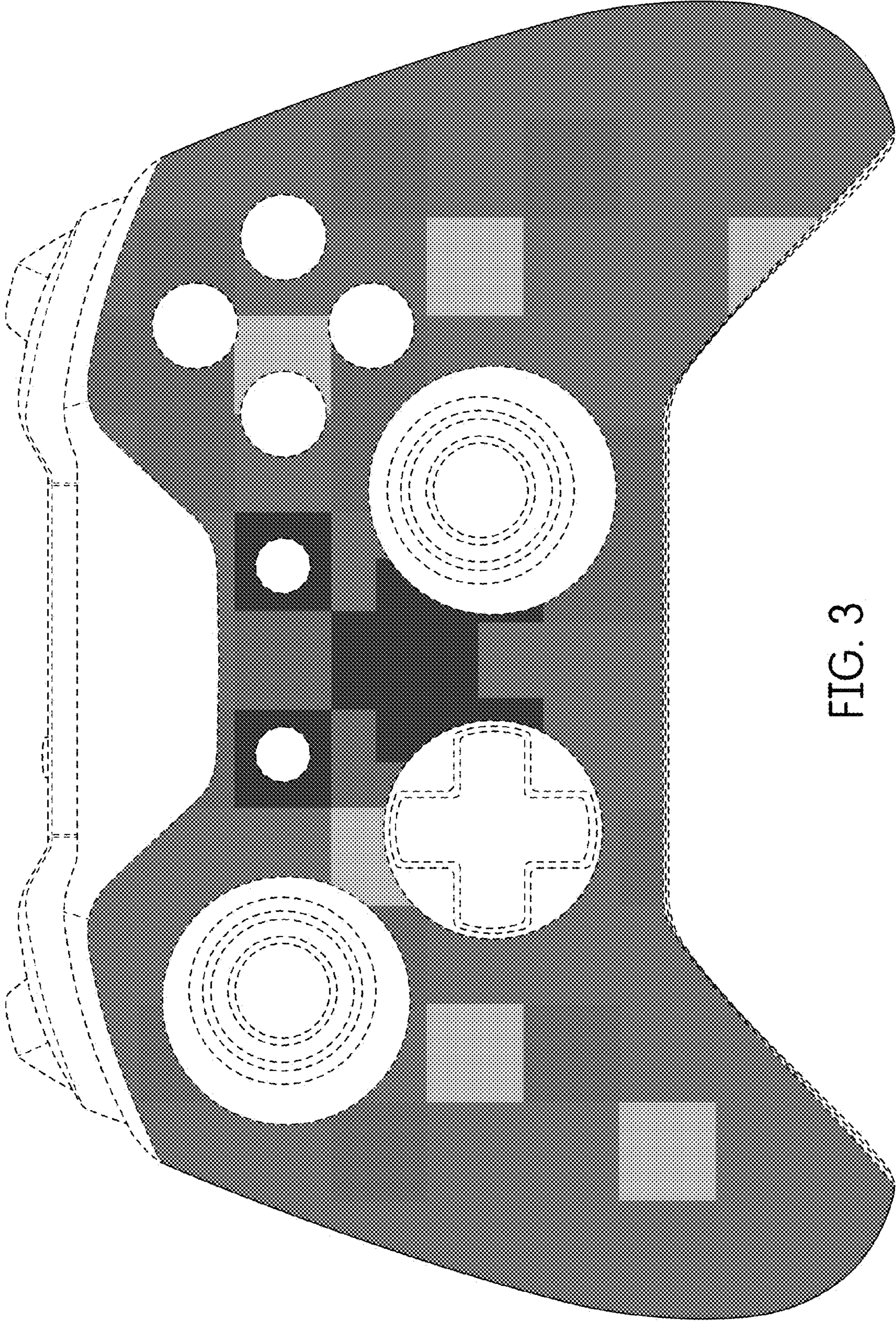


FIG. 3

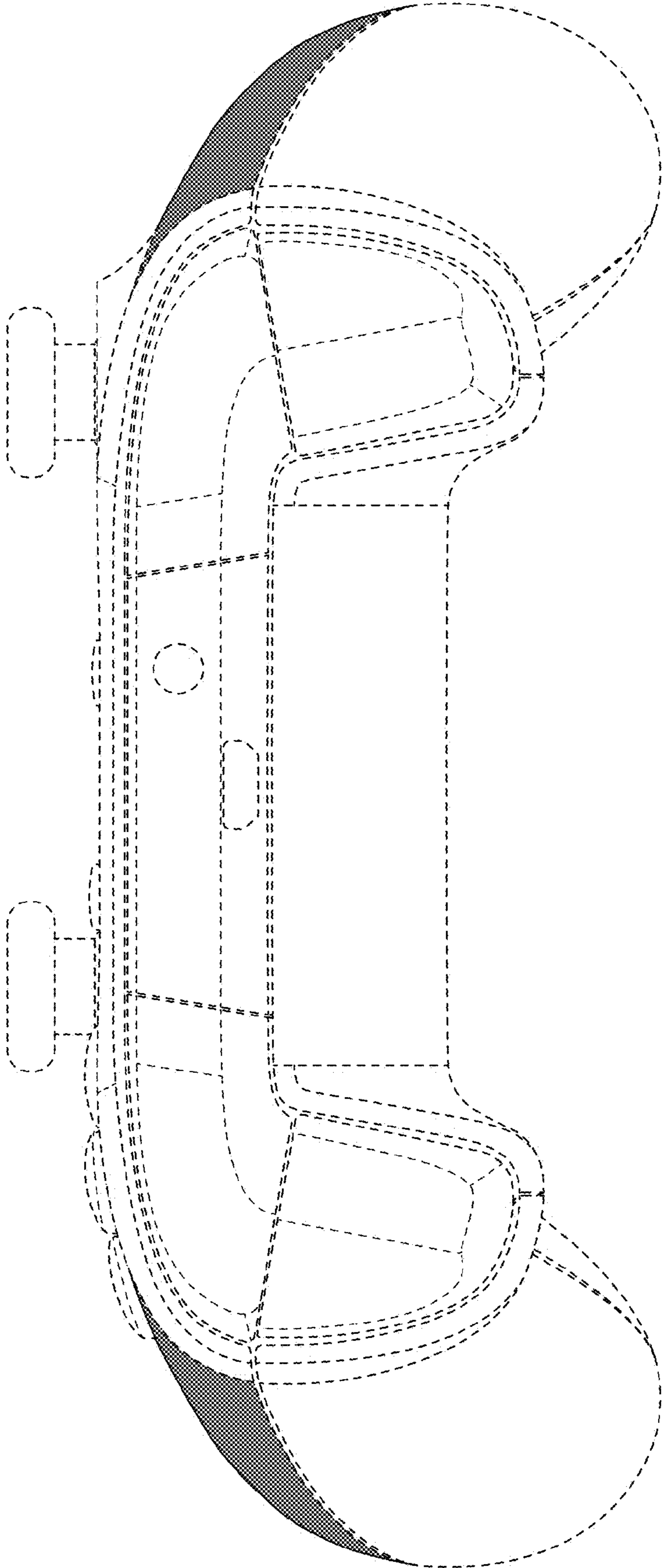


FIG. 4

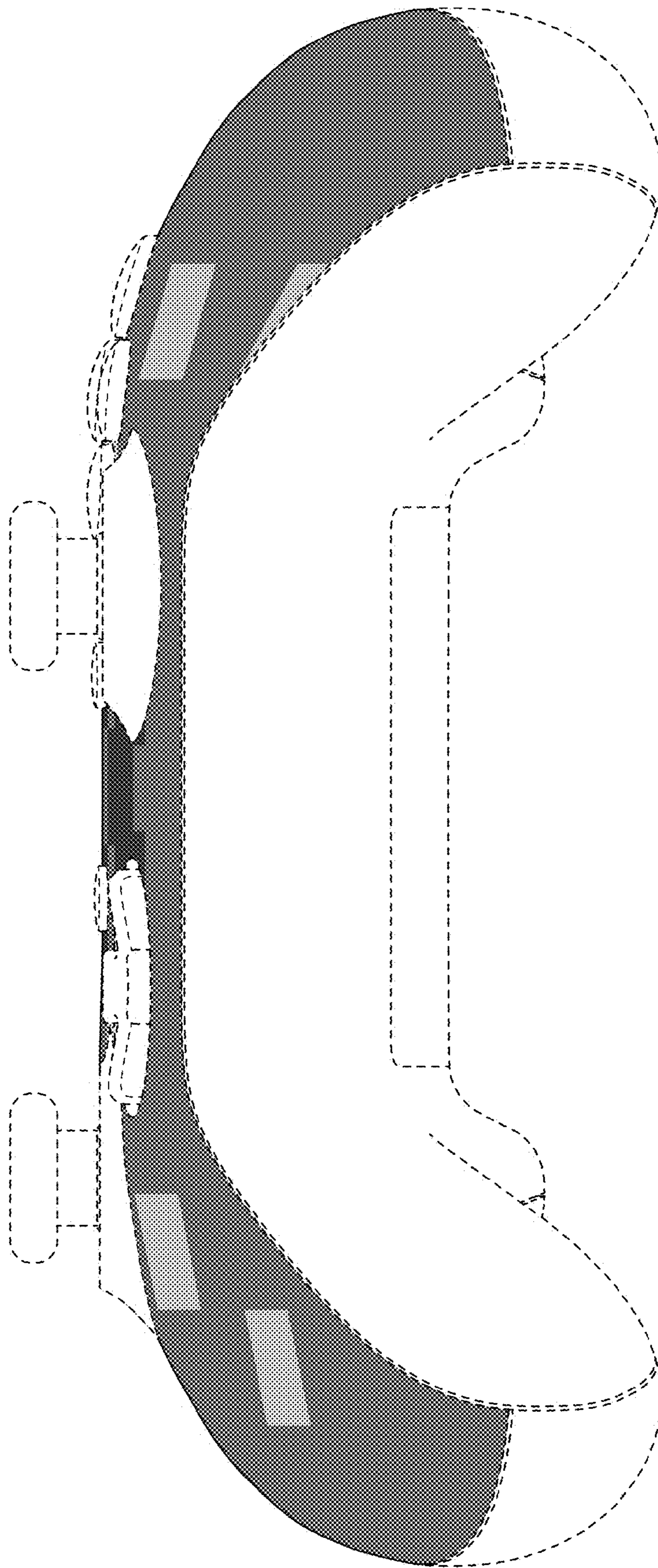


FIG. 5

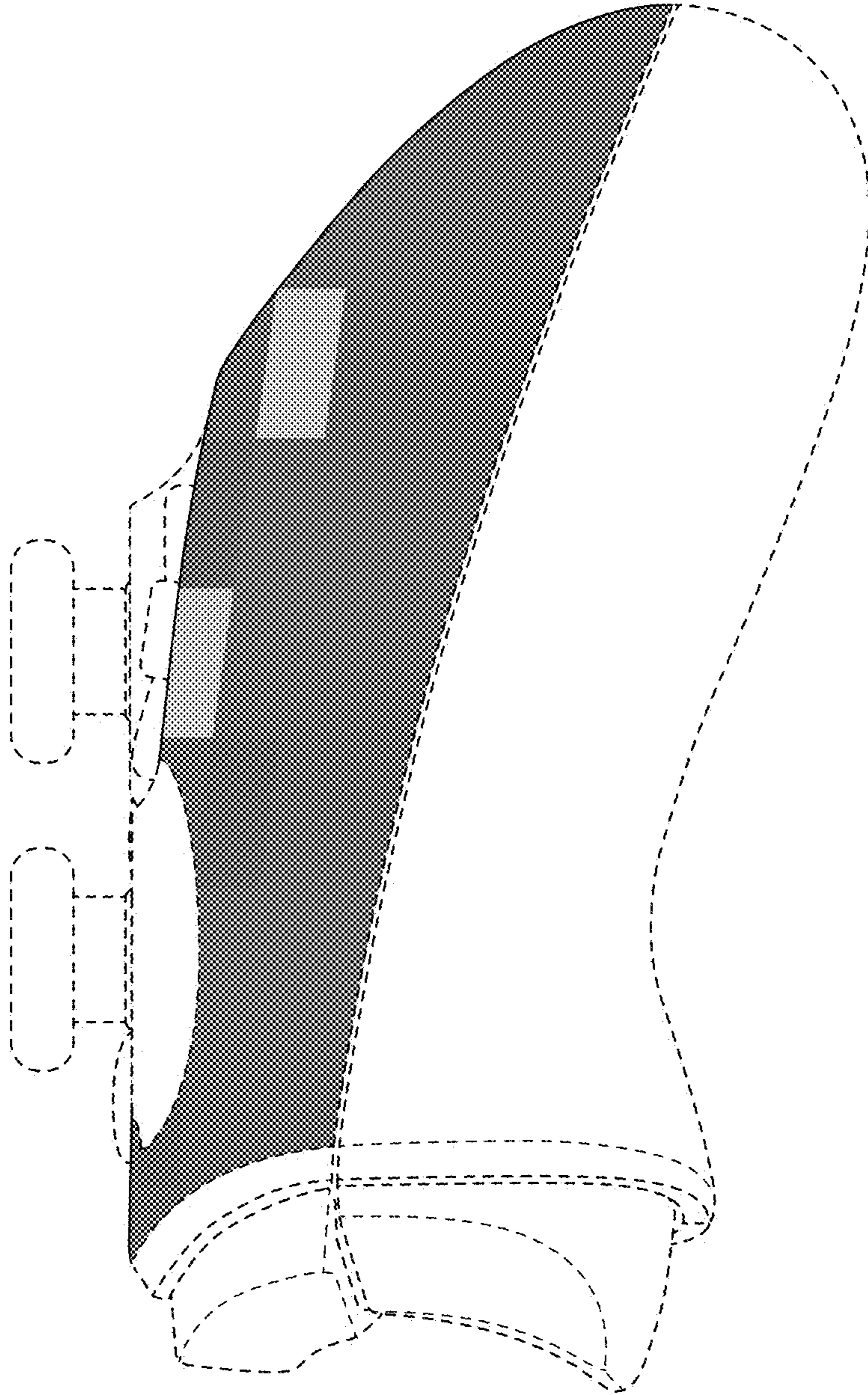


FIG. 6

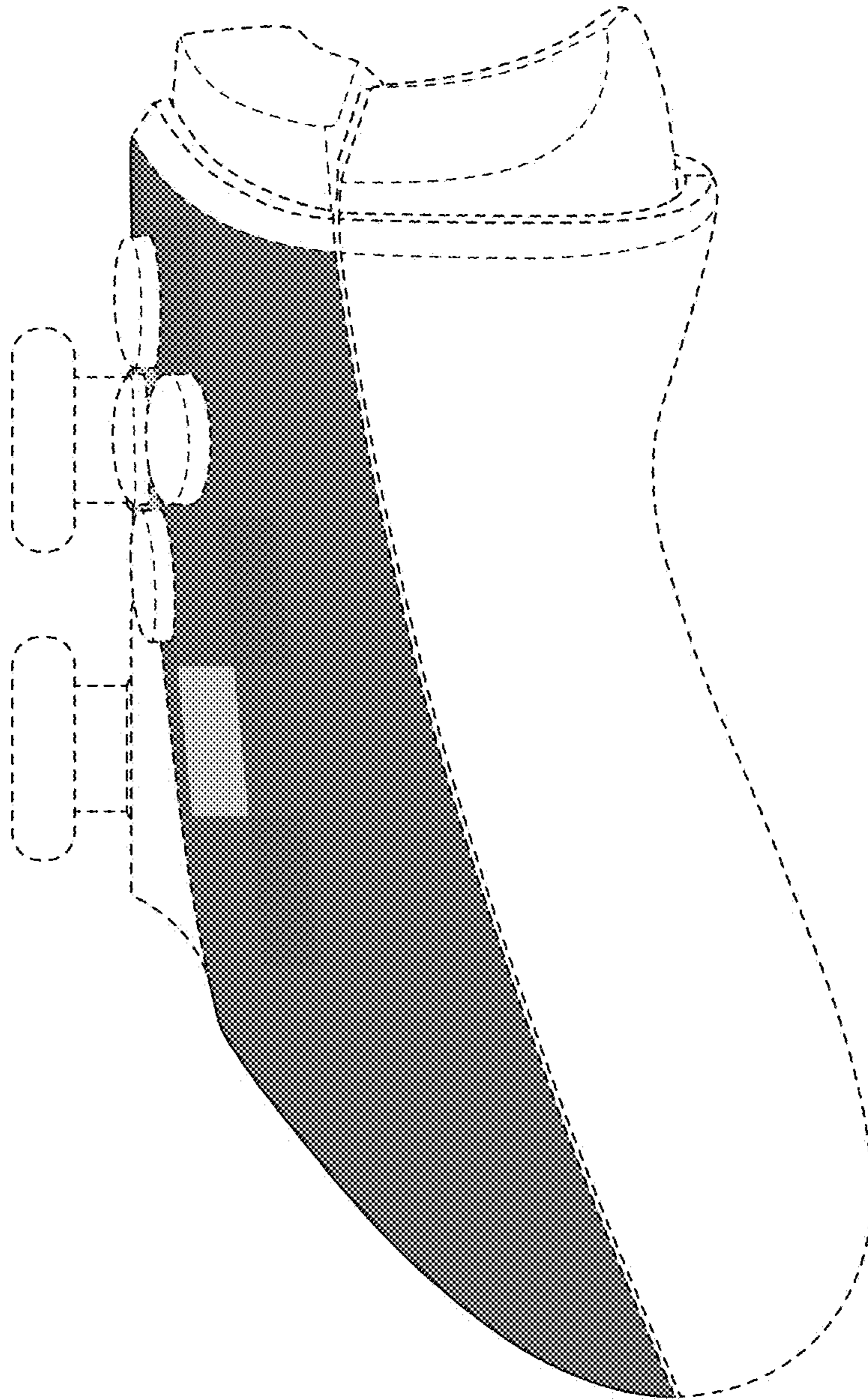


FIG. 7

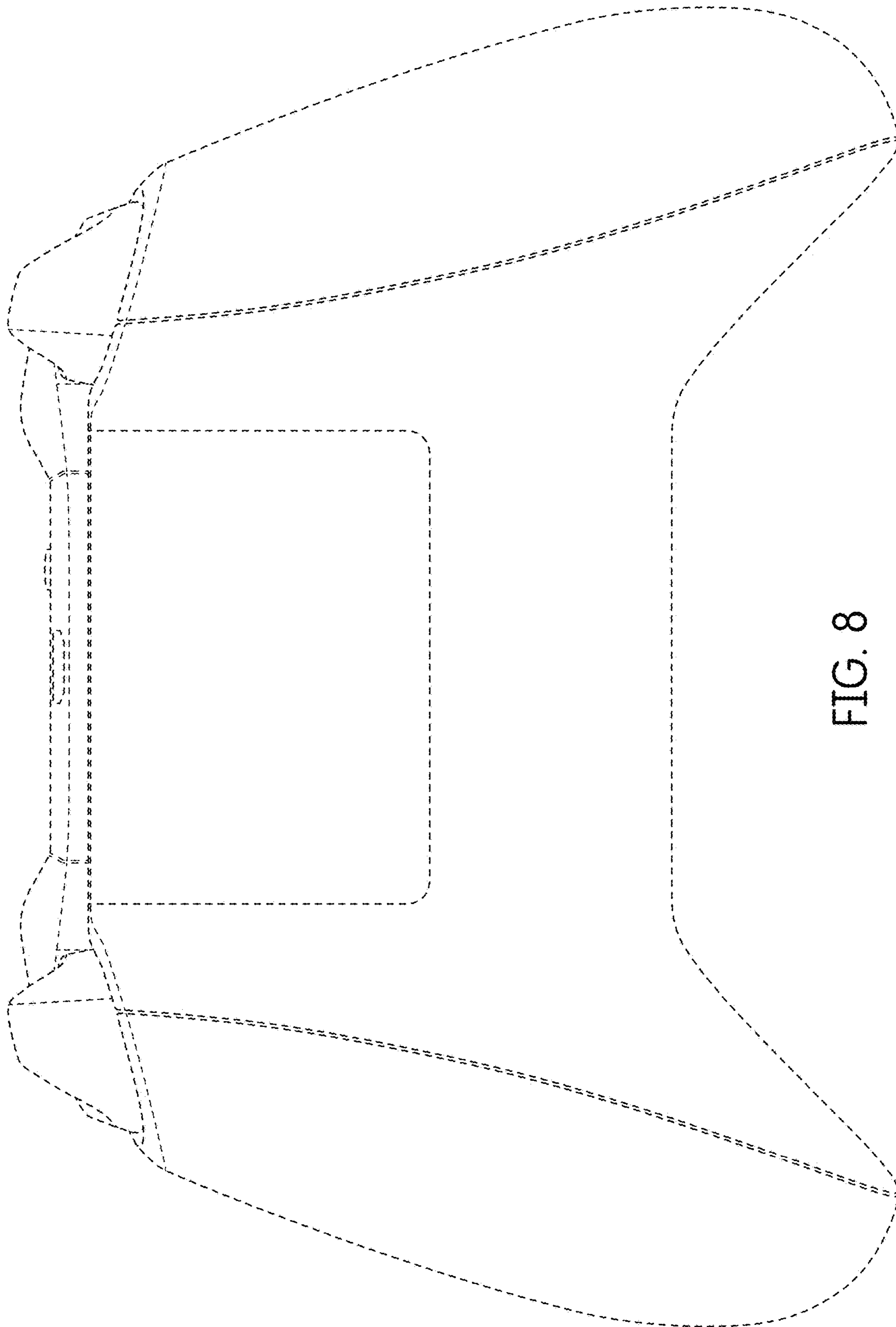


FIG. 8