



US00D847898S

(12) **United States Design Patent**
Kushner et al.

(10) **Patent No.:** **US D847,898 S**
(45) **Date of Patent:** **** May 7, 2019**

- (54) **PEDAL BOARD**
- (71) Applicant: **BandLab Technologies**, Grand Cayman (KY)
- (72) Inventors: **Daniel Kushner**, San Rafael, CA (US); **Meng Ru Kuok**, Singapore (SG); **Peter Adam Boeckel**, Tiong Bahru (SG)
- (73) Assignee: **BandLab Technologies**, Grand Cayman (KY)

D258,711 S *	3/1981	Baker	D7/363
D318,527 S *	7/1991	Groenewold	D23/393
6,036,288 A *	3/2000	Shih	A47B 21/0314 248/918
D507,829 S *	7/2005	Castellanos	D23/393
7,663,876 B2 *	2/2010	Lin	G06F 1/203 361/679.47
D620,942 S *	8/2010	Huang	D14/447
D637,599 S *	5/2011	Liao	D14/447
D718,875 S *	12/2014	Ramos Moreno	D25/69
9,386,718 B2 *	7/2016	Kusumi	H05K 7/14
D767,382 S *	9/2016	Libreiro	D25/119

(**) Term: **15 Years**

(21) Appl. No.: **29/591,262**

(22) Filed: **Jan. 18, 2017**

(51) **LOC (11) Cl.** **17-03**

(52) **U.S. Cl.**
USPC **D17/20**

(58) **Field of Classification Search**
 USPC D17/1, 2, 4, 5, 7-9, 13, 14, 20, 21, 24, D17/99; D19/99-101, 150, 192; D6/329, D6/512-514, 641, 650, 707, 702; D7/550.1, 554.2, 554.3, 698; D10/103; D14/299, 328, 432, 447; D23/393; D21/405, 406, 408, 409, 586; D32/56; D8/354; D25/119
 CPC G10H 2220/071; G10H 2220/076; G10H 2220/165; G10H 2220/221; G10H 2220/30; G10H 2220/485; G10H 3/186; G10H 2210/231; G10D 13/023; G10D 13/027; G10D 13/006; G10D 3/006
 See application file for complete search history.

(56) **References Cited**

U.S. PATENT DOCUMENTS

D112,146 S *	11/1938	Heller	D17/9
D146,637 S *	4/1947	Brown	84/174
D171,677 S *	3/1954	Alder	211/40
D256,618 S *	8/1980	Klein	D12/203

OTHER PUBLICATIONS

Vision Guitar, Temple Audio Design Solo 18, webarchive on Jul. 27, 2015, [online], [site visited on Jan. 10, 2018]. Available from Internet, <URL: <https://web.archive.org/web/20150727052421/http://visionguitar.com/shop/temple-audio-design-solo-18-18-x-8-5-pedalboard-wsoft-case-temple-red/>> (Year: 2015).*

(Continued)

Primary Examiner — Sheryl Lane
Assistant Examiner — Samantha N Wood
(74) *Attorney, Agent, or Firm* — Occhiuti & Rohlicek LLP

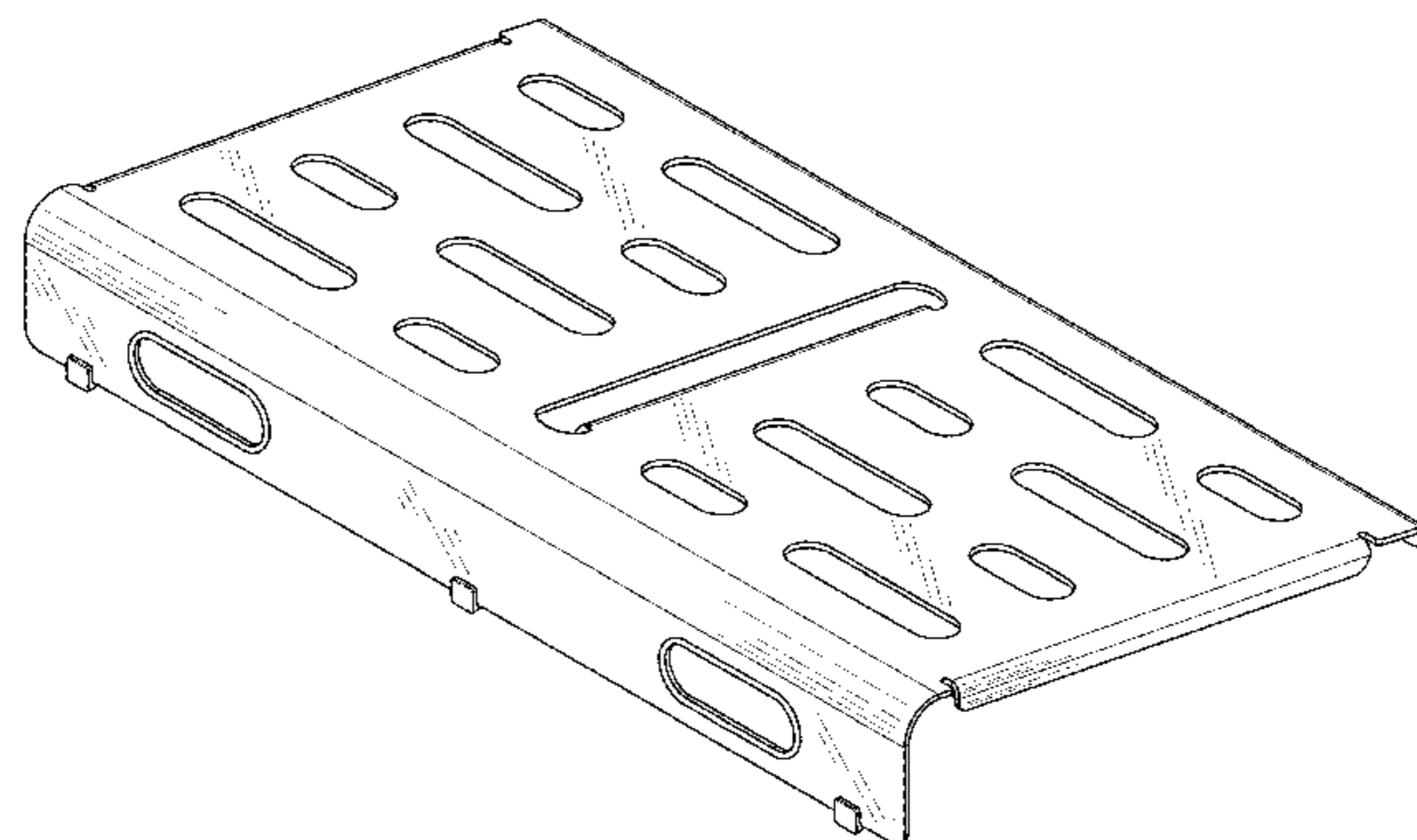
(57) **CLAIM**

The ornamental design for a pedal board, as shown and described.

DESCRIPTION

FIG. 1 is a front perspective view of a pedal board according to our new design;
FIG. 2 is a front view of the pedal board of FIG. 1;
FIG. 3 is a right side view of the pedal board of FIG. 1, the left side view of the pedal board is a mirror image of the right side view;
FIG. 4 is a rear view of the pedal board of FIG. 1; and,
FIG. 5 is a top view of the pedal board of FIG. 1.

1 Claim, 5 Drawing Sheets



(56)

References Cited

OTHER PUBLICATIONS

Amazon, Voodoo Lab Dingbat Pedalboard, first available Jan. 14, 2017, [online], [site visited on Jan. 16, 2018]. Available from Internet, <URL: <https://www.amazon.com/Voodoo-Lab-Dingbat-Medium-Pedalboard/dp/B01N5PE646>> (Year: 2017).*

* cited by examiner

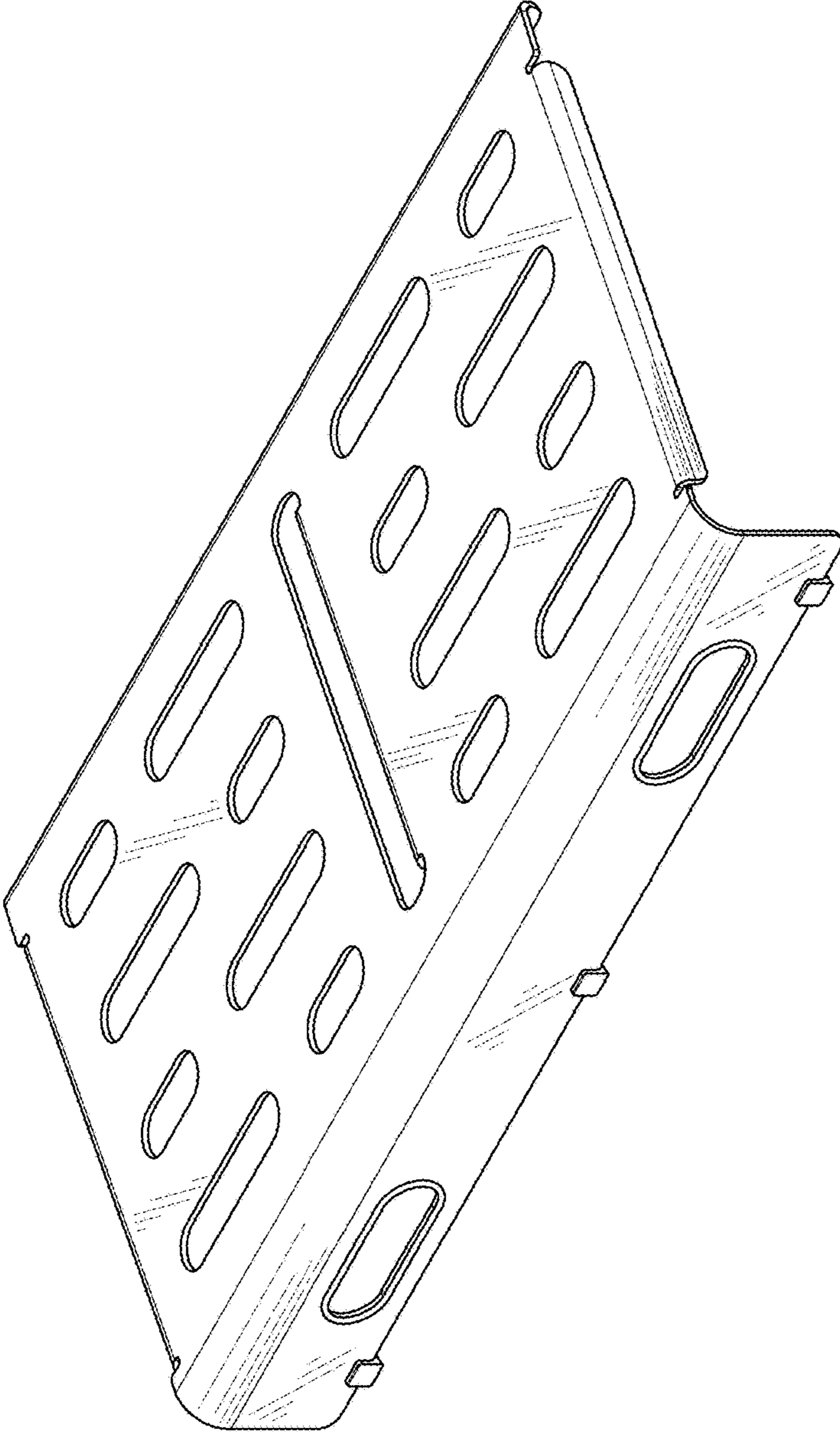


FIG. 1

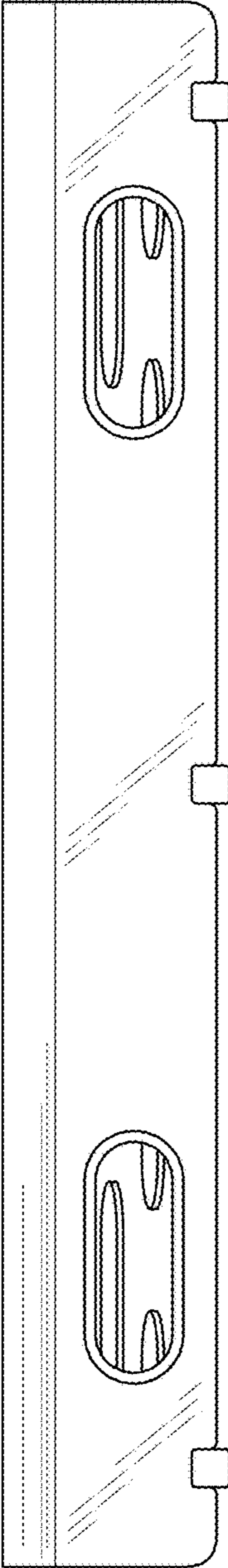


FIG. 2

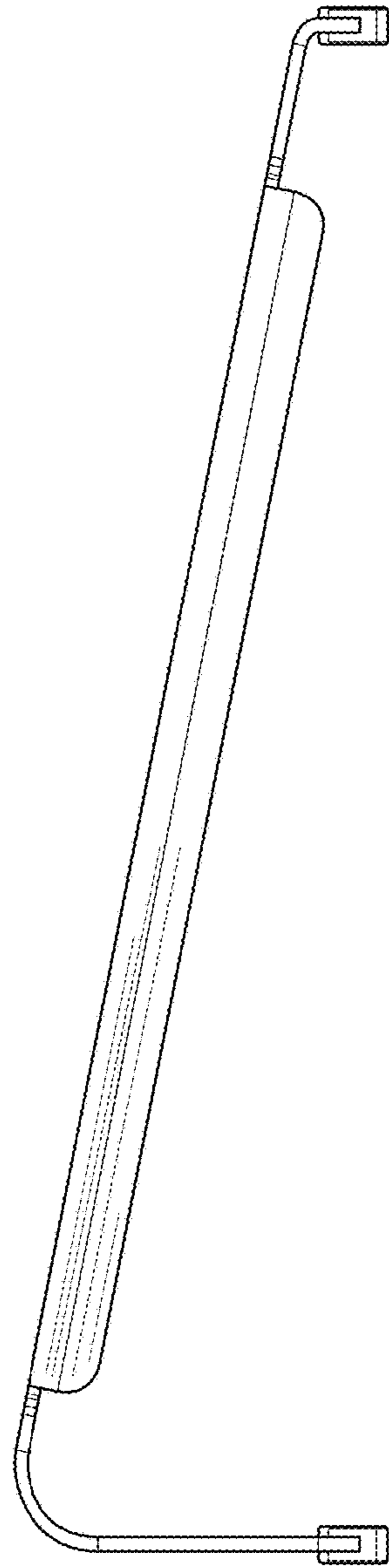


FIG. 3

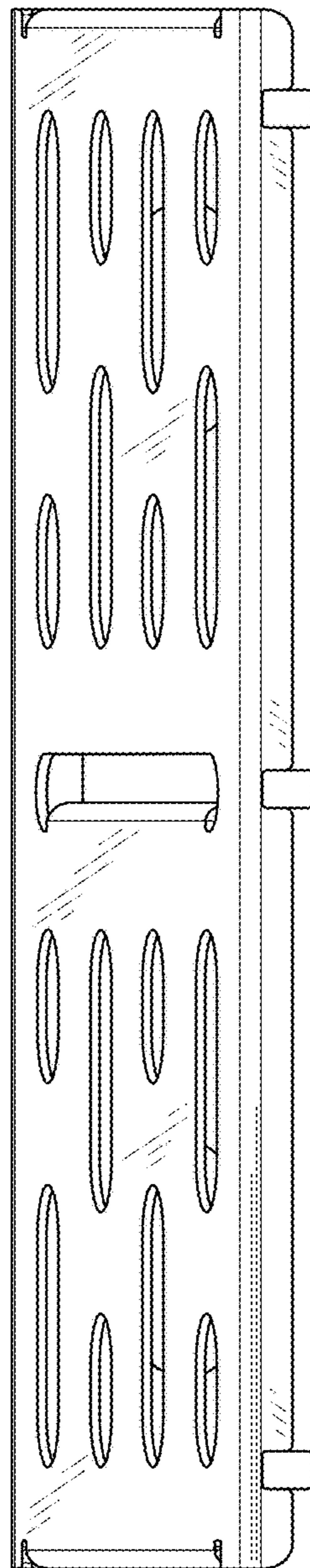


FIG. 4

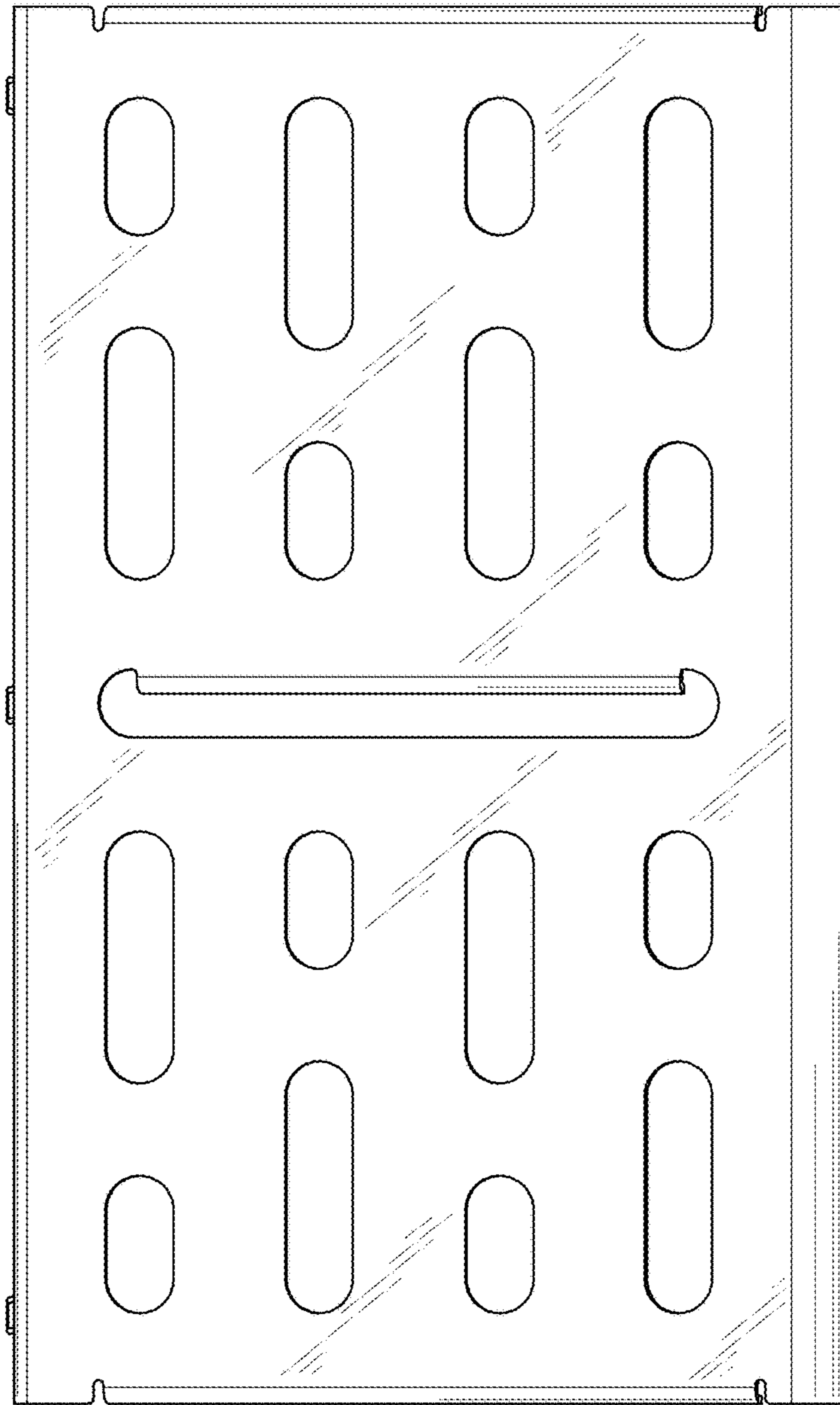


FIG. 5