



US00D847893S

(12) **United States Design Patent** (10) **Patent No.:** **US D847,893 S**
Muir et al. (45) **Date of Patent:** **** May 7, 2019**

(54) **VISION APPARATUS COMPRISING EYEWEAR FRAME AND DEMOUNTABLE DISPLAY**

DESCRIPTION

(71) Applicant: **eSIGHT CORPORATION**, Ottawa (CA)

(72) Inventors: **Rod Muir**, South Mountain (CA); **Luc Boucher**, Ottawa (CA); **Romeo Graham**, Ottawa (CA); **Mike Sirois**, Ottawa (CA)

(73) Assignee: **eSight Corporation**, Ottawa (CA)

(**) Term: **15 Years**

(21) Appl. No.: **29/555,548**

(22) Filed: **Feb. 23, 2016**

(51) **LOC (11) Cl.** **16-06**

(52) **U.S. Cl.**
USPC **D16/309**

(58) **Field of Classification Search**
USPC D16/101, 300–342, 900; D29/109–110; D21/483, 659–661; D14/372; 351/41,
(Continued)

(56) **References Cited**

U.S. PATENT DOCUMENTS

D602,978 S * 10/2009 Mage D16/326
D638,050 S * 5/2011 Mage D16/326
(Continued)

Primary Examiner — Michelle E. Wilson

Assistant Examiner — Sanjeev Paul

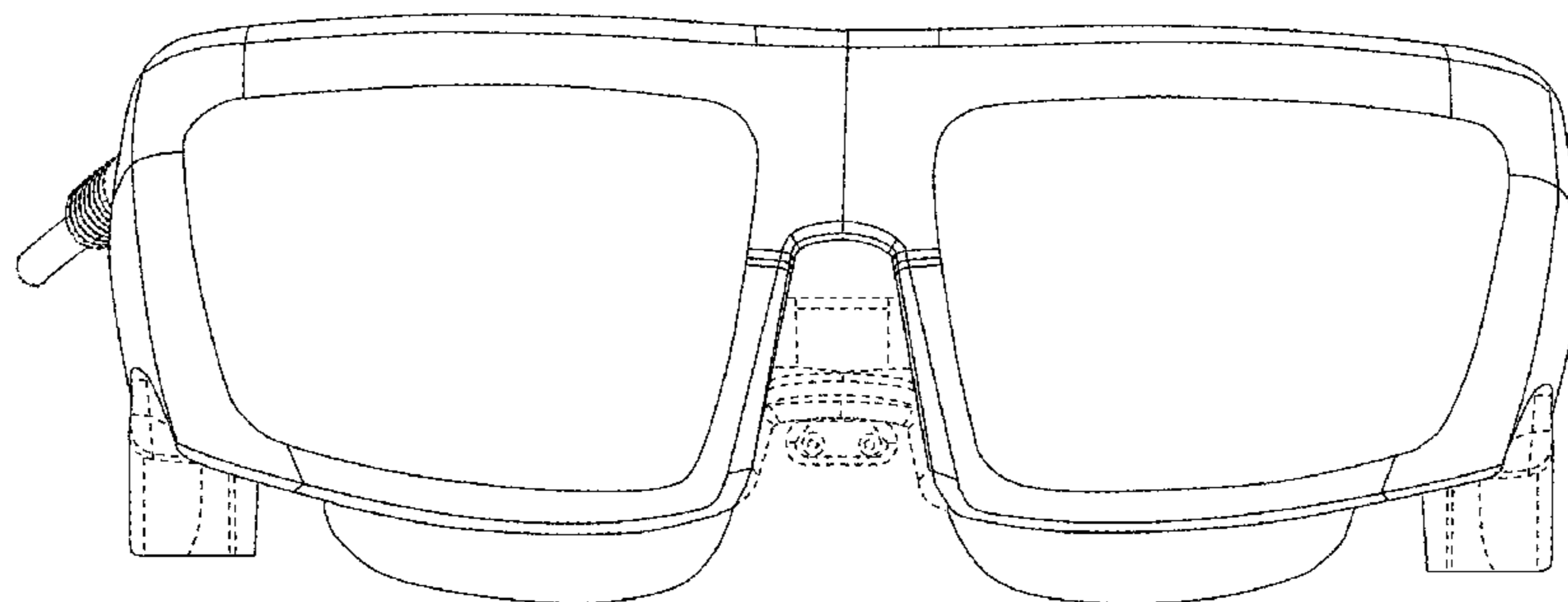
(74) *Attorney, Agent, or Firm* — Rosenberg, Klein & Lee

(57) **CLAIM**

The ornamental design for vision apparatus comprising eyewear frame and demountable display, as shown and described.

FIG. 1 is a front perspective view of a vision apparatus comprising an eyewear frame and demountable display; FIG. 2 is a right side perspective view of the vision apparatus of FIG. 1 comprising an eyewear frame and demountable display; FIG. 3 is a left side perspective view of the vision apparatus of FIG. 1 comprising an eyewear frame and demountable display; FIG. 4 is a plan perspective view of the vision apparatus of FIG. 1 comprising an eyewear frame and demountable display; FIG. 5 is a front perspective view of the demountable display of the vision apparatus comprising an eyewear frame and demountable display of FIG. 1; FIG. 6 is a right side perspective view of the demountable display of the vision apparatus comprising an eyewear frame and demountable display of FIG. 1; FIG. 7 is a left side perspective view of the demountable display of the vision apparatus of FIG. 1; FIG. 8 is a plan perspective view of the demountable display of the vision apparatus comprising an eyewear frame and demountable display of FIG. 1; FIG. 9 is a front perspective view of the eyewear frame of the vision apparatus comprising an eyewear frame and demountable display of FIG. 1; FIG. 10 is a right side perspective view of the eyewear frame of the vision apparatus comprising an eyewear frame and demountable display of FIG. 1; FIG. 11 is a left side perspective view of the eyewear frame of the vision apparatus comprising an eyewear frame and demountable display of FIG. 1; and, FIG. 12 is a plan perspective view of the eyewear frame of the vision apparatus comprising an eyewear frame and demountable display of FIG. 1.
The broken lines depict unclaimed parts of the vision apparatus, and thus form no part of the claimed design.

1 Claim, 9 Drawing Sheets



(58) **Field of Classification Search**

USPC 351/44, 45–48, 51–52, 62, 158, 92,
 351/103–123, 140–153, 63, 59; 2/13, 15,
 2/426–432, 447–449, 441, 434–437
 CPC G02C 2200/08; G02C 1/06; G02C 5/14;
 G02C 11/02; G02C 11/04; G02C 5/16;
 G02C 2200/22; G02C 5/146; G02C
 5/2254; G02C 5/008; G01C 5/16; A61M
 2021/0044; A63B 33/002

See application file for complete search history.

(56) **References Cited**

U.S. PATENT DOCUMENTS

D645,492 S * 9/2011 Zhao D16/309
 D645,493 S * 9/2011 Zhao D16/309
 D646,316 S * 10/2011 Zhao D16/309
 D667,482 S * 9/2012 Healy D16/309
 D667,483 S * 9/2012 Krsmanovic D16/300
 D670,755 S * 11/2012 Chen D16/329
 D682,343 S * 5/2013 Waters D16/309
 D694,312 S * 11/2013 Mage D16/314

D694,313 S * 11/2013 Mage D16/315
 D694,314 S * 11/2013 Mage D16/325
 D695,333 S * 12/2013 Farnam D16/309
 D697,547 S * 1/2014 Miera D16/315
 D697,963 S * 1/2014 Earley D16/326
 D704,248 S * 5/2014 DiChiara D16/309
 D704,250 S * 5/2014 Miera D16/313
 D718,370 S * 11/2014 Votel D16/315
 D719,209 S * 12/2014 Garfias D16/313
 D723,093 S * 2/2015 Li D16/309
 D728,664 S * 5/2015 Yoo D16/300
 D730,975 S * 6/2015 Stables D16/326
 D733,211 S * 6/2015 Mehin D16/315
 D735,796 S * 8/2015 Earley D16/321
 D748,720 S * 2/2016 Lee D16/326
 D765,761 S * 9/2016 Votel D16/326
 D792,399 S * 7/2017 Thomas D14/372
 D792,401 S * 7/2017 Tang D14/372
 D792,879 S * 7/2017 Nakamura D14/372
 D795,867 S * 8/2017 Huang D14/372
 D796,507 S * 9/2017 Chen D14/372
 D798,298 S * 9/2017 Haber D14/372
 9,766,479 B2 * 9/2017 Healy G02B 27/0172
 D798,862 S * 10/2017 Wang D14/372

* cited by examiner

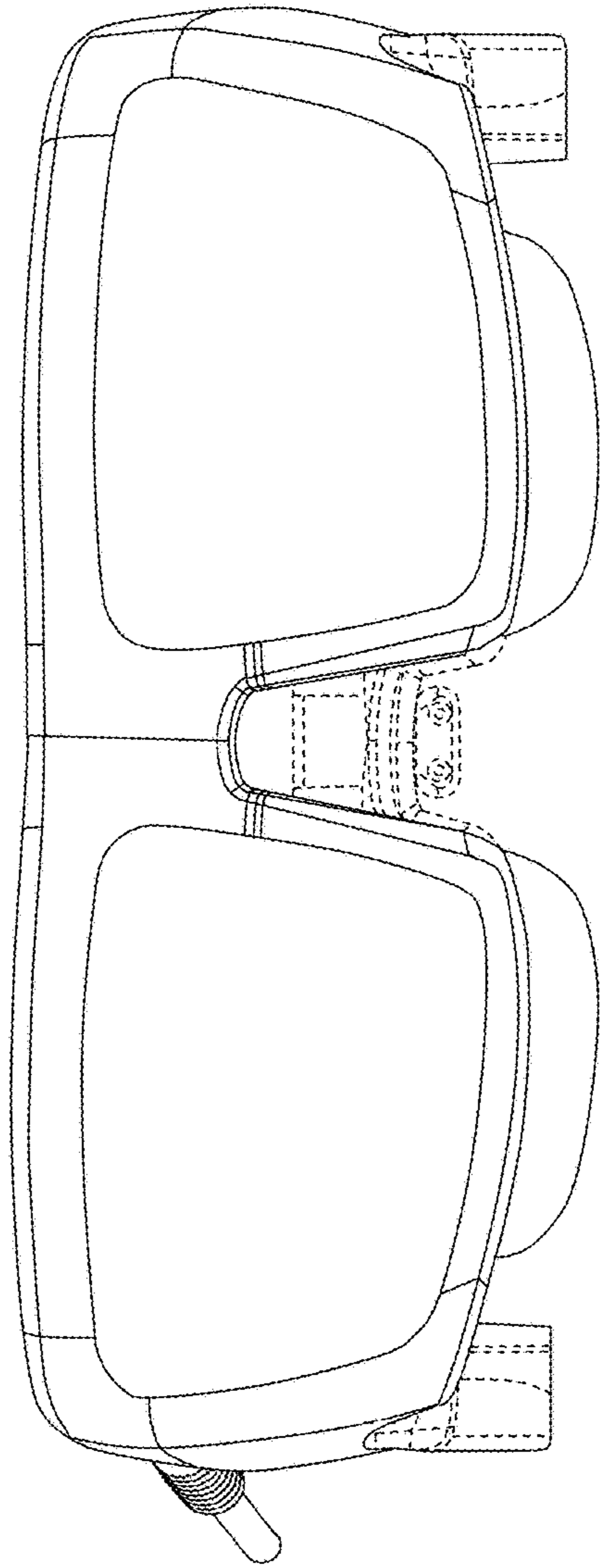


Figure 1

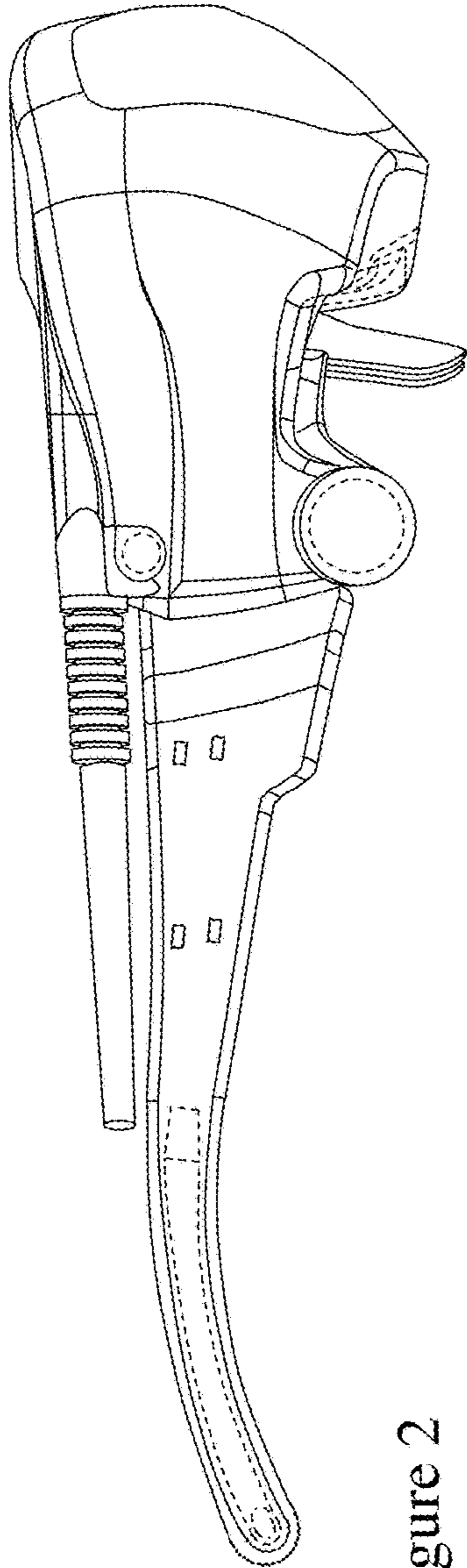


Figure 2

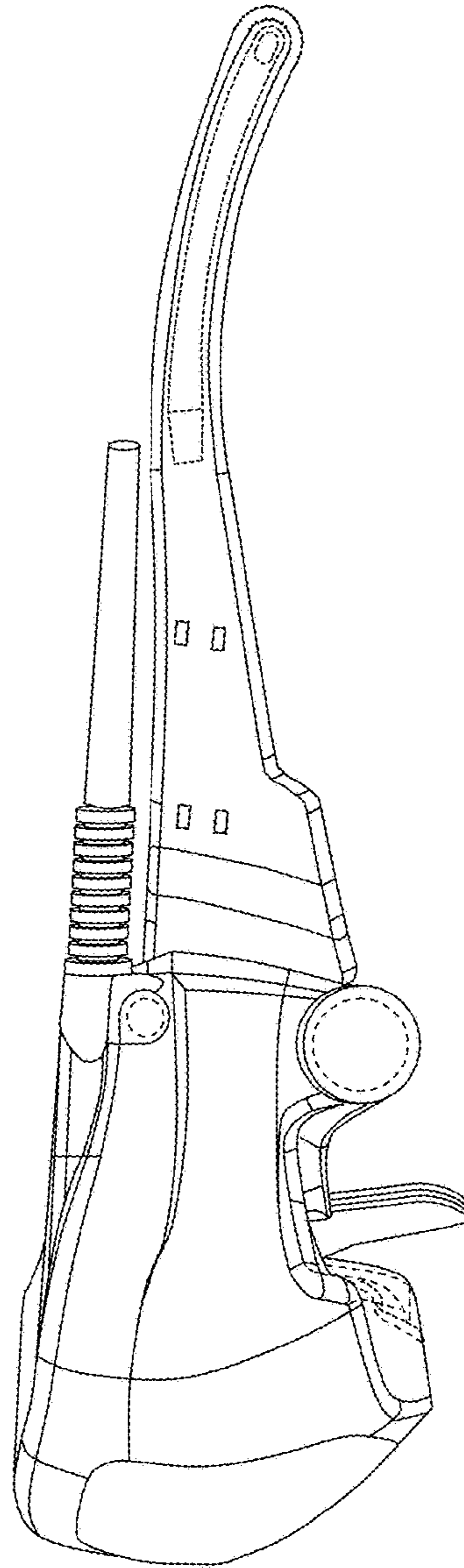
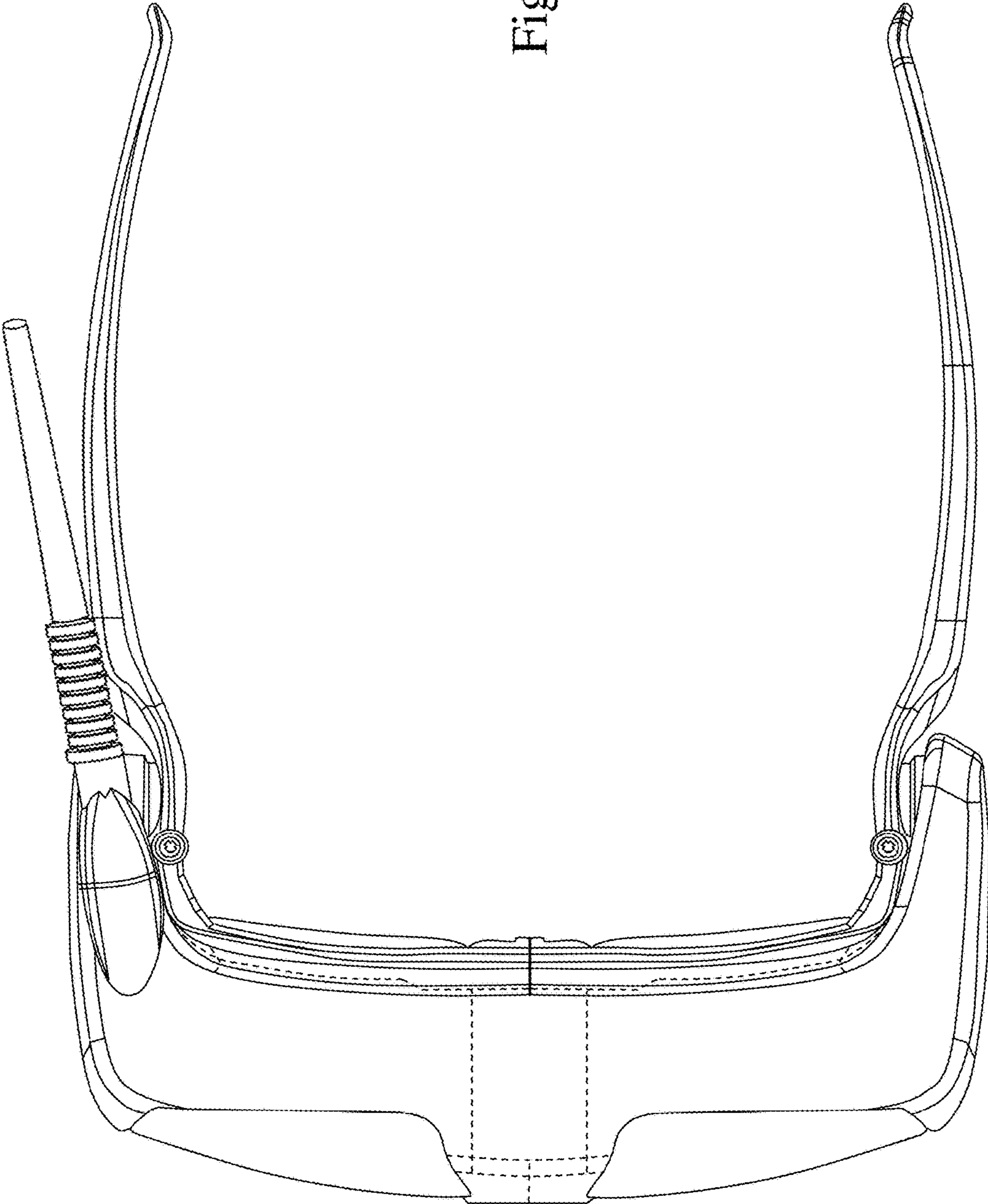


Figure 3

Figure 4



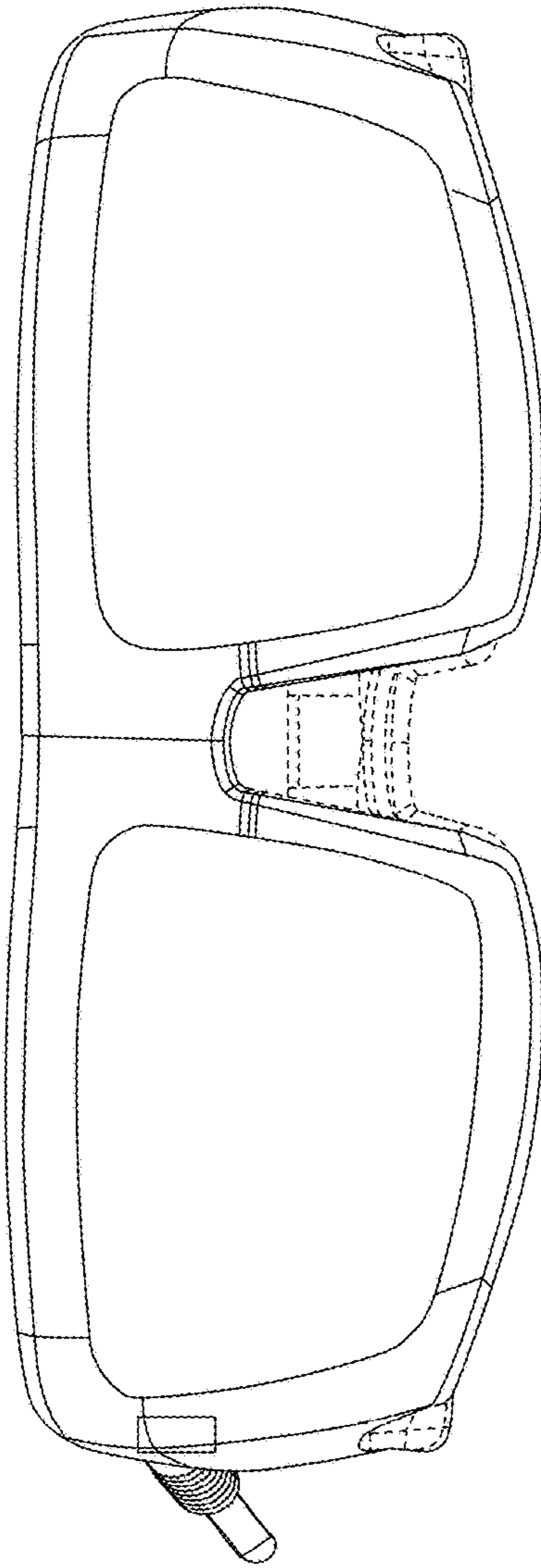


Figure 5

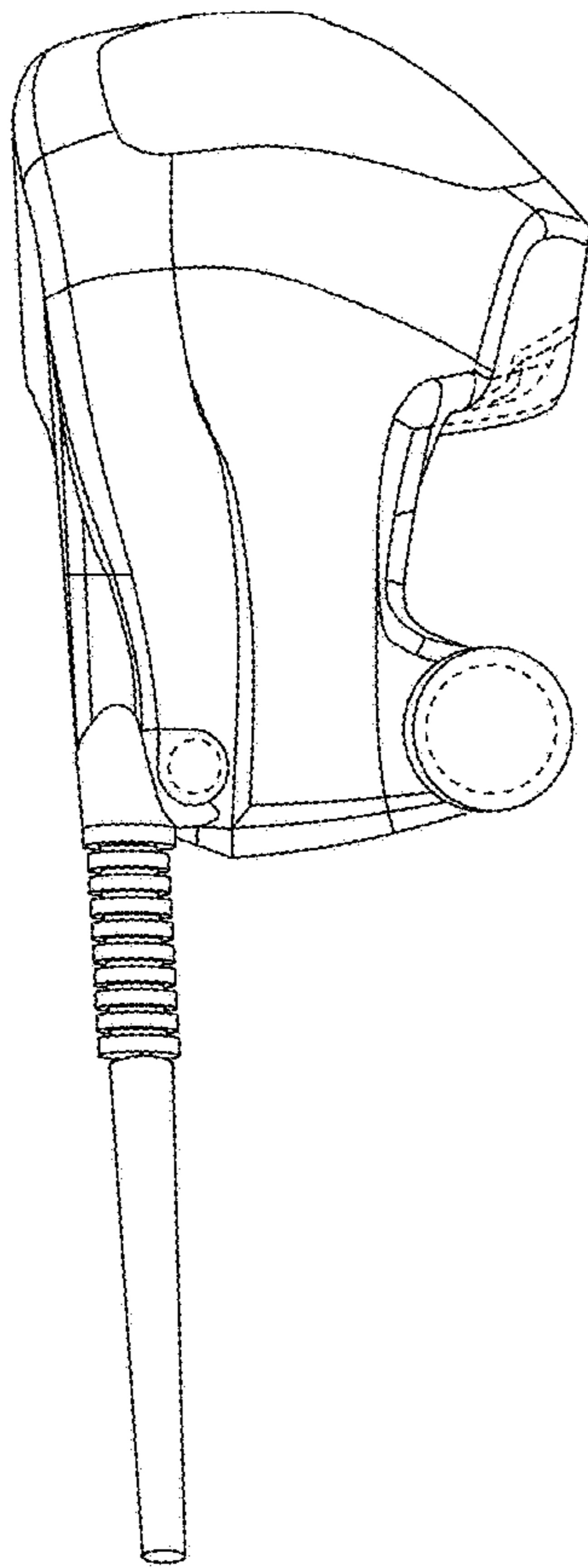


Figure 6

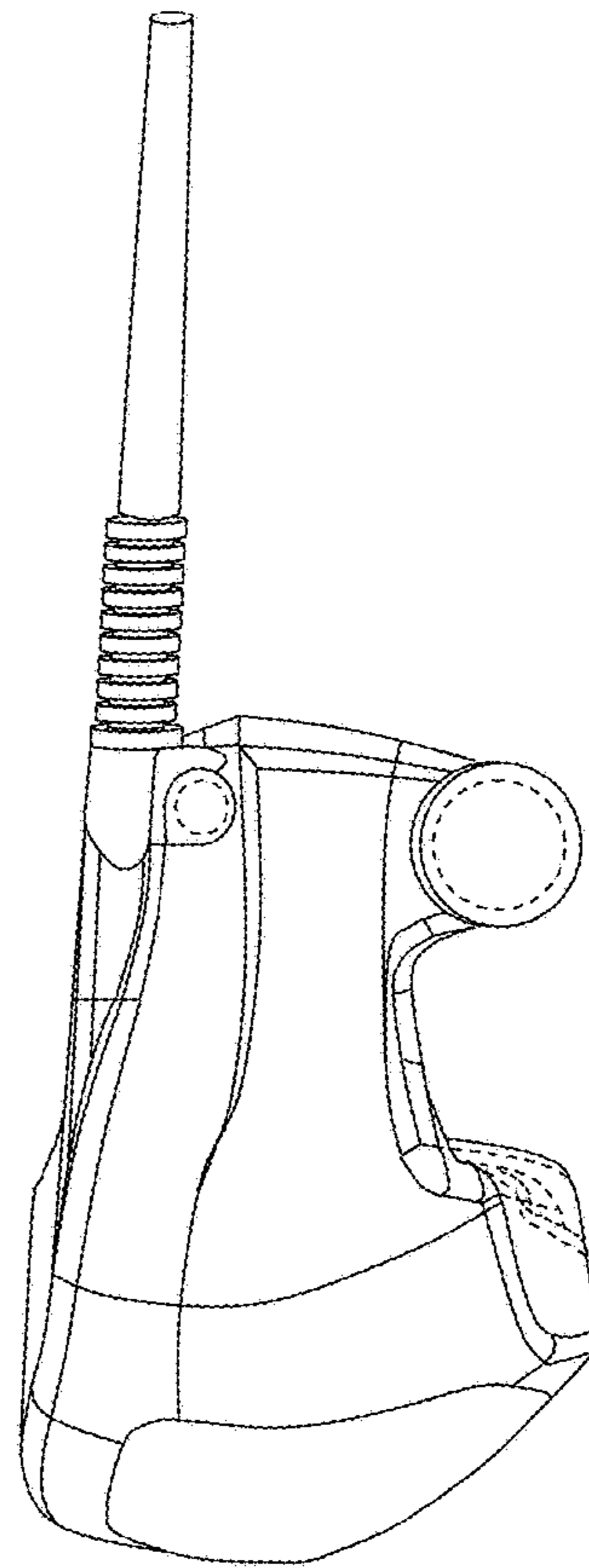


Figure 7

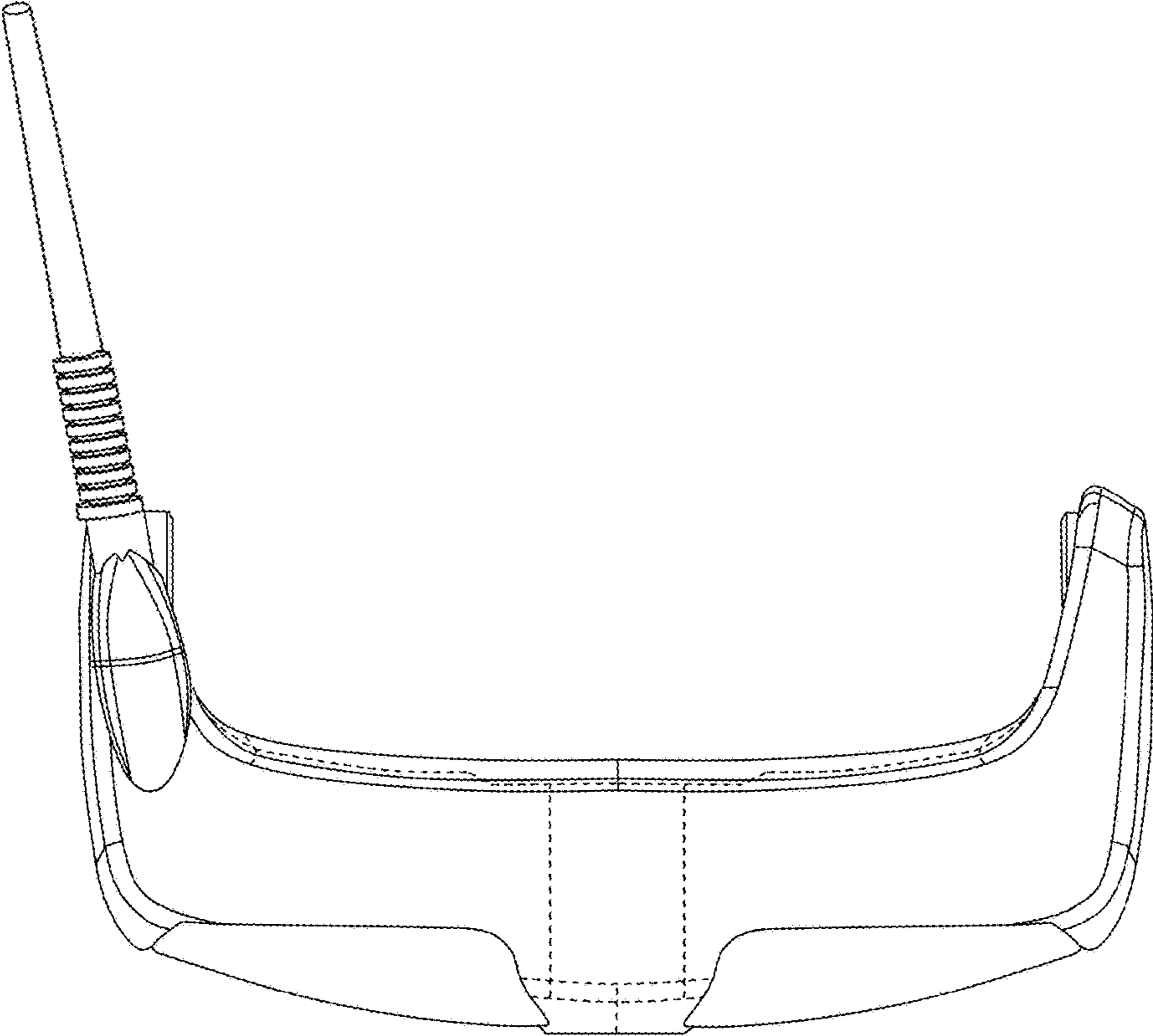


Figure 8

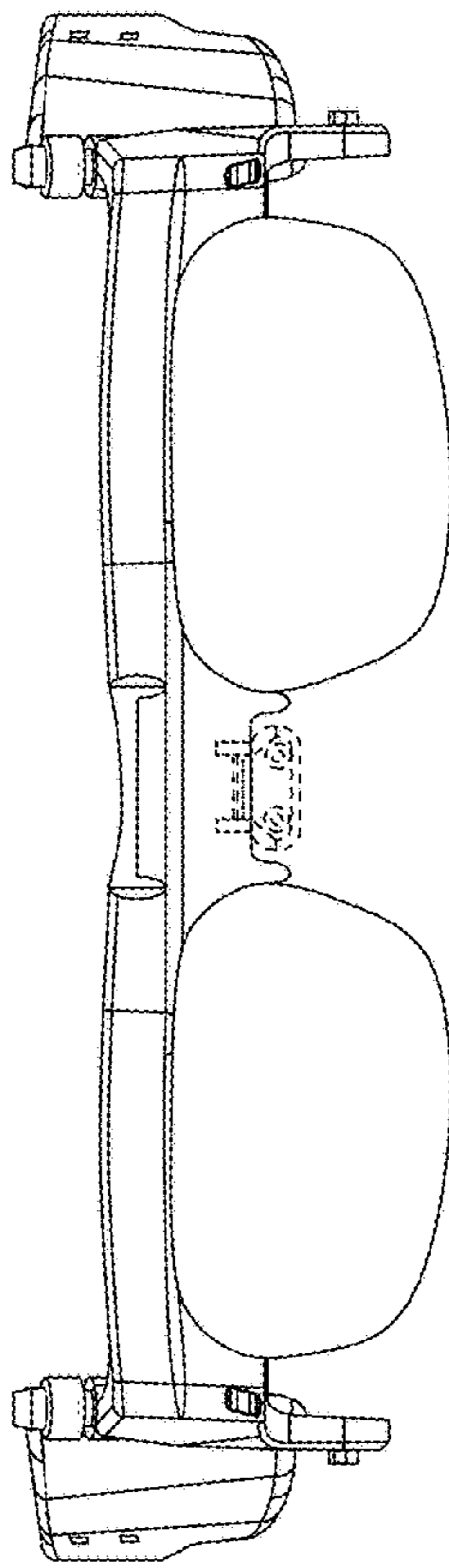


Figure 9

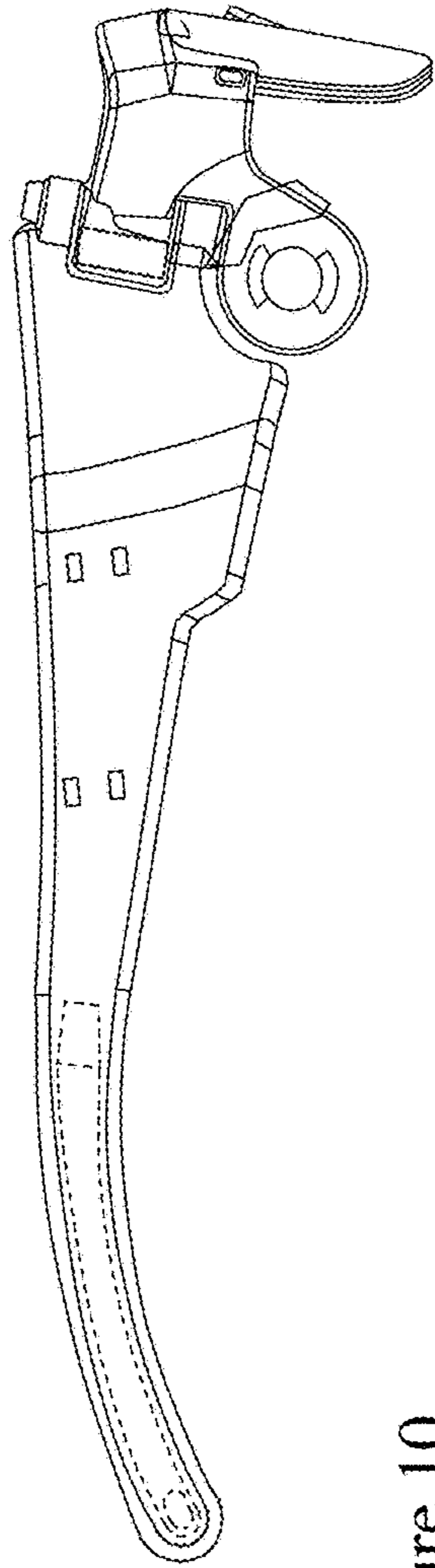


Figure 10

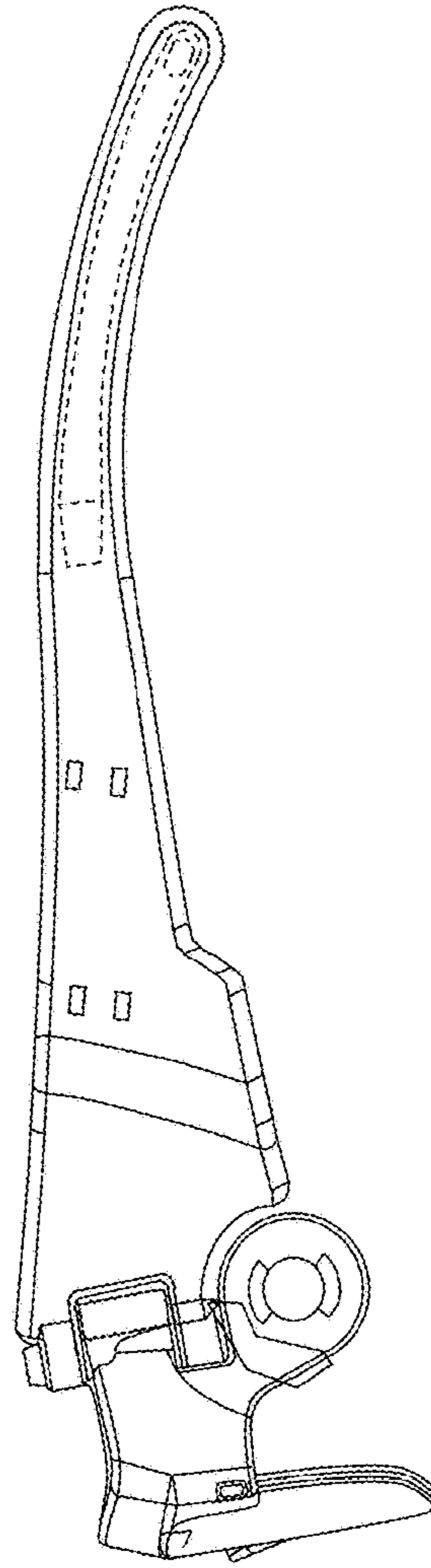


Figure 11

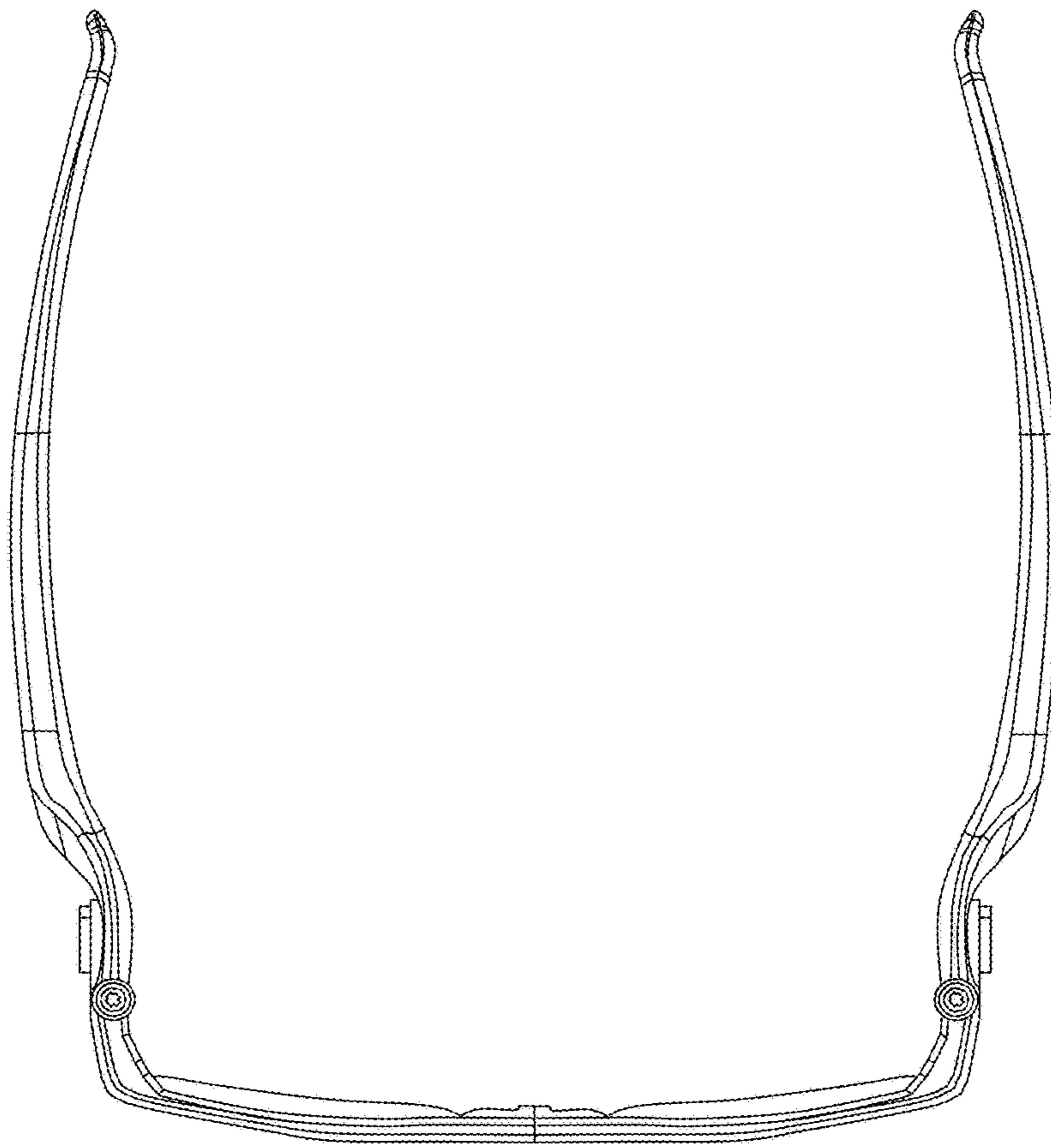


Figure 12