



US00D847885S

(12) **United States Design Patent**
Okida et al.

(10) **Patent No.:** **US D847,885 S**

(45) **Date of Patent:** **** May 7, 2019**

(54) **HOLDER USED FOR A CUTTING TOOL**

(71) Applicant: **SUMITOMO ELECTRIC
HARDMETAL CORP.**, Itami (JP)

(72) Inventors: **Junya Okida**, Itami (JP); **Tomoyuki
Fukuyama**, Itami (JP); **Naoya Tsuda**,
Itami (JP); **Shinya Imamura**, Itami (JP)

(73) Assignee: **Sumitomo Electric Hardmetal Corp.**,
Itami-shi (JP)

(**) Term: **15 Years**

(21) Appl. No.: **29/564,791**

(22) Filed: **May 16, 2016**

(30) **Foreign Application Priority Data**

Nov. 17, 2015 (JP) 2015-025658

(51) **LOC (11) Cl.** **15-09**

(52) **U.S. Cl.**
USPC **D15/140; D15/139**

(58) **Field of Classification Search**
USPC D8/16, 17, 18, 19, 20, 70, 90, 98;
D15/122, 123, 124, 125, 126, 127, 128,
(Continued)

(56) **References Cited**

U.S. PATENT DOCUMENTS

3,054,308 A * 9/1962 Larry B23B 51/0486
408/226
D270,059 S * 8/1983 Wilkins D15/139
(Continued)

FOREIGN PATENT DOCUMENTS

JP 04-51306 U 4/1992
JP 2005-066795 A 3/2005
JP 2007-075933 A 3/2007

OTHER PUBLICATIONS

“Cutting Tool Geometries Lathe and Mill SME” [online]. KRH
Renovations Inc. [Published on Oct. 15, 2015]. Retrieved from the
Internet: <<https://www.youtube.com/watch?v=bbMbFvsRTJo>>.*

(Continued)

Primary Examiner — Khawaja Anwar
Assistant Examiner — Mojtaba Tehrani

(74) *Attorney, Agent, or Firm* — Baker Botts L.L.P.;
Michael A. Sartori

(57) **CLAIM**

The ornamental design for a holder used for a cutting tool,
as shown and described.

DESCRIPTION

FIG. 1 is a front view of a holder used for a cutting tool,
showing our new design;
FIG. 2 is a rear view thereof;
FIG. 3 is a top view thereof;
FIG. 4 is a bottom view thereof;
FIG. 5 is a right side view thereof;
FIG. 6 is a left side view thereof;
FIG. 7 is a perspective view 1 thereof;
FIG. 8 is a perspective view 2 thereof;
FIG. 9 is an enlarged view of IX-IX portion of FIG. 1;
FIG. 10 is a cross sectional view taken along line X-X of
FIG. 3;
FIG. 11 is an enlarged view of XI-XI portion of FIG. 4;
FIG. 12 is an enlarged left side view thereof;
FIG. 13 is an enlarged perspective view of XIII-XIII portion
of FIG. 7;
FIG. 14 is an enlarged perspective view of XIV-XIV portion
of FIG. 8;
FIG. 15 is a cross sectional view taken along line XV-XV of
FIG. 9;
FIG. 16 is a cross sectional view taken along line XVI-XVI
of FIG. 9;
FIG. 17 is a referential enlarged view 1 of IX-IX portion of
FIG. 1;

(Continued)

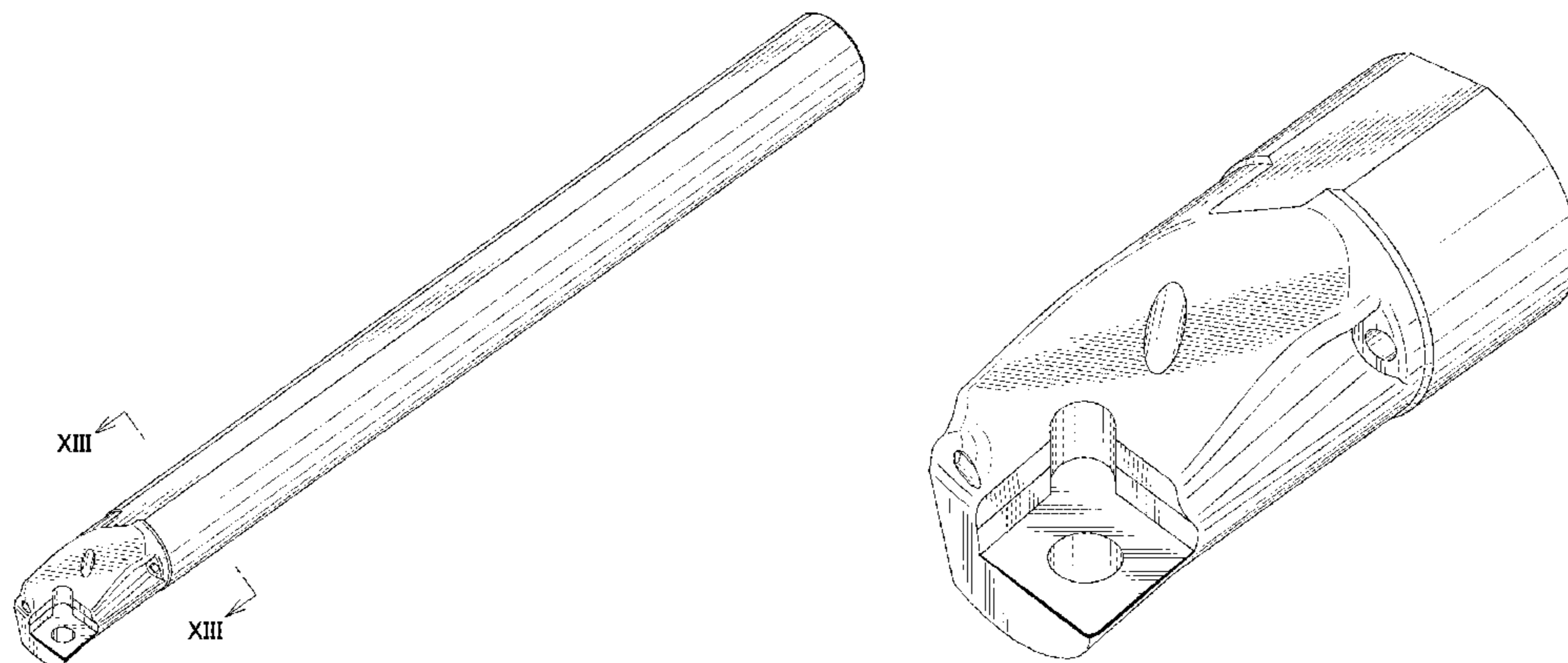


FIG. 18 is a referential enlarged view 2 of XI-XI portion of FIG. 4; and,
 FIG. 19 is a referential enlarged left side view thereof.
 The two-dot chain lines in the referential enlarged views 1 and 2 and the referential enlarged left side view illustrate flow paths that are provided inside the cutting tool holder.

1 Claim, 9 Drawing Sheets

(58) **Field of Classification Search**

USPC D15/129, 130, 131, 132, 133, 134, 135,
 D15/136, 137, 138, 139, 140, 141, 142,
 D15/143
 CPC B25D 3/00; B25D 17/02; B25D 2250/111;
 B25D 2211/003; B25D 16/00; E21B
 10/52; E21B 10/16; E21B 10/567; C03B
 23/047; C03B 23/0496

See application file for complete search history.

(56) **References Cited**

U.S. PATENT DOCUMENTS

4,412,763 A * 11/1983 Shallenberger, Jr. ... B23B 51/04
 407/42
 4,659,264 A * 4/1987 Friedline B23B 51/0493
 407/113
 4,844,669 A * 7/1989 Tsujimura B23B 51/0493
 408/188
 4,854,789 A * 8/1989 Evseanko, Jr. B25H 1/0064
 408/125
 5,261,767 A * 11/1993 Tsujimura B23B 27/007
 408/187
 D370,019 S * 5/1996 Stewart D15/140

5,829,331 A * 11/1998 Mori B23B 27/10
 82/158
 6,220,795 B1 * 4/2001 Matthews B23B 27/145
 407/113
 6,974,282 B2 * 12/2005 King B23B 27/164
 407/101
 D610,177 S * 2/2010 Guse D15/139
 D617,358 S * 6/2010 Guse D15/139
 8,079,785 B2 * 12/2011 Nicholas B23B 29/043
 407/101
 8,465,232 B2 * 6/2013 Amstibovitsky B23B 27/10
 407/11
 D696,319 S * 12/2013 Tempel D15/139
 D701,543 S * 3/2014 Mihic D15/139
 8,967,921 B2 * 3/2015 Yamaguchi B23B 51/048
 407/113
 9,956,619 B2 * 5/2018 Okamura B23B 27/145
 2007/0081867 A1 * 4/2007 Murakami B23B 27/007
 407/11
 2007/0089574 A1 * 4/2007 Murakami B23B 27/002
 82/158
 2015/0056029 A1 * 2/2015 Shimamoto B23B 27/045
 407/115
 2015/0266100 A1 * 9/2015 Okamura B23B 27/145
 407/66

OTHER PUBLICATIONS

“12mm 8pcs Lathe cutting tool set” [online]. Aliexpress.com. [Retrieved Dec. 1, 2018]. Retrieved from the Internet: <<https://www.aliexpress.com/item/12mm-8pcs-Lathe-cutting-tool-set-the-most-useful-cutter-set-8pcs-turning-tool-set-to/32786512189.html>>.*
 Notice in Japanese Patent Application No. 2015-025658, dated Aug. 8, 2016.
 Machines and Tools, No. 12, vol. 50 (Dec. 1, 2006) (Japan Patent Office, Design Department, known document HA 18027452).

* cited by examiner

FIG.1

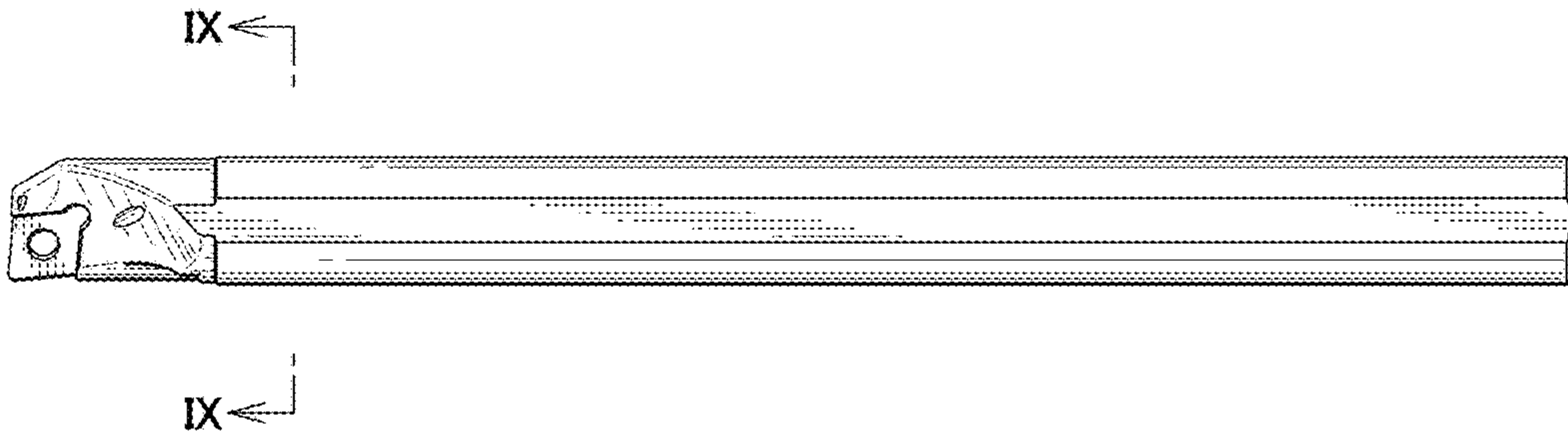


FIG.2

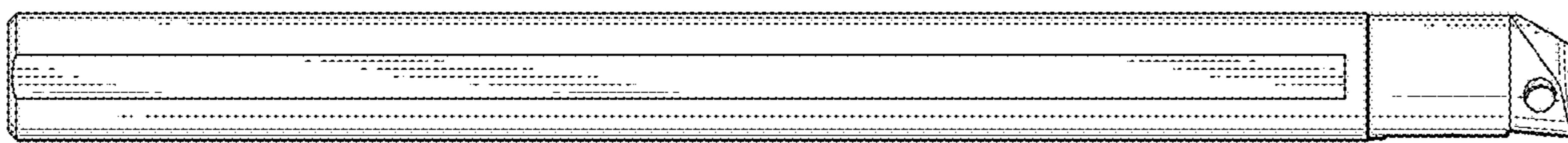


FIG.3

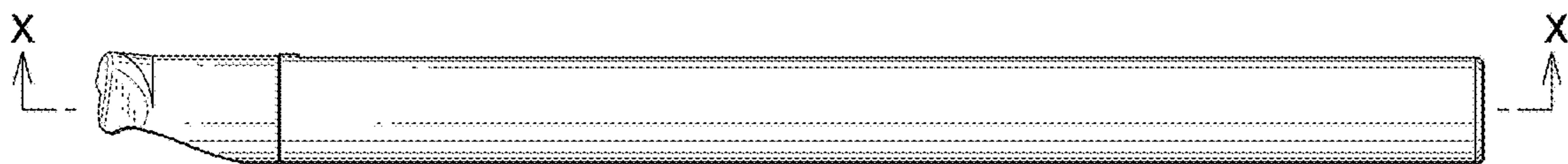


FIG.4

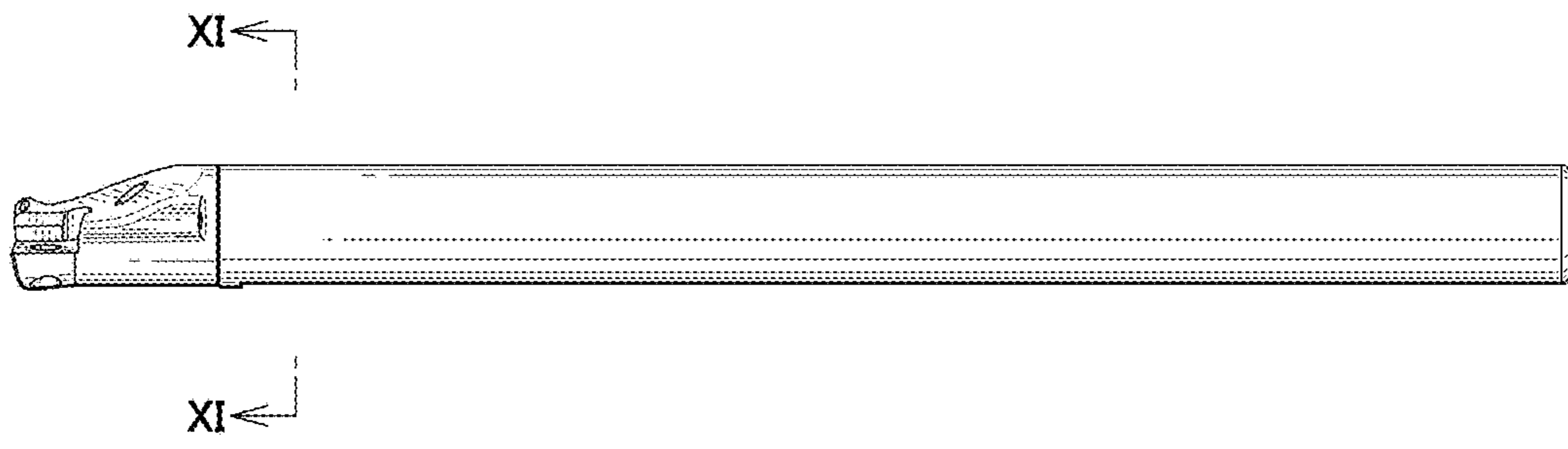


FIG.5

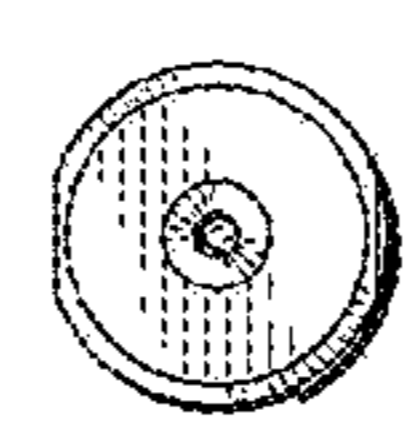


FIG.6

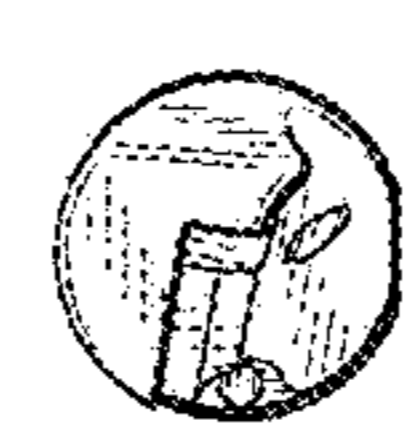


FIG.7

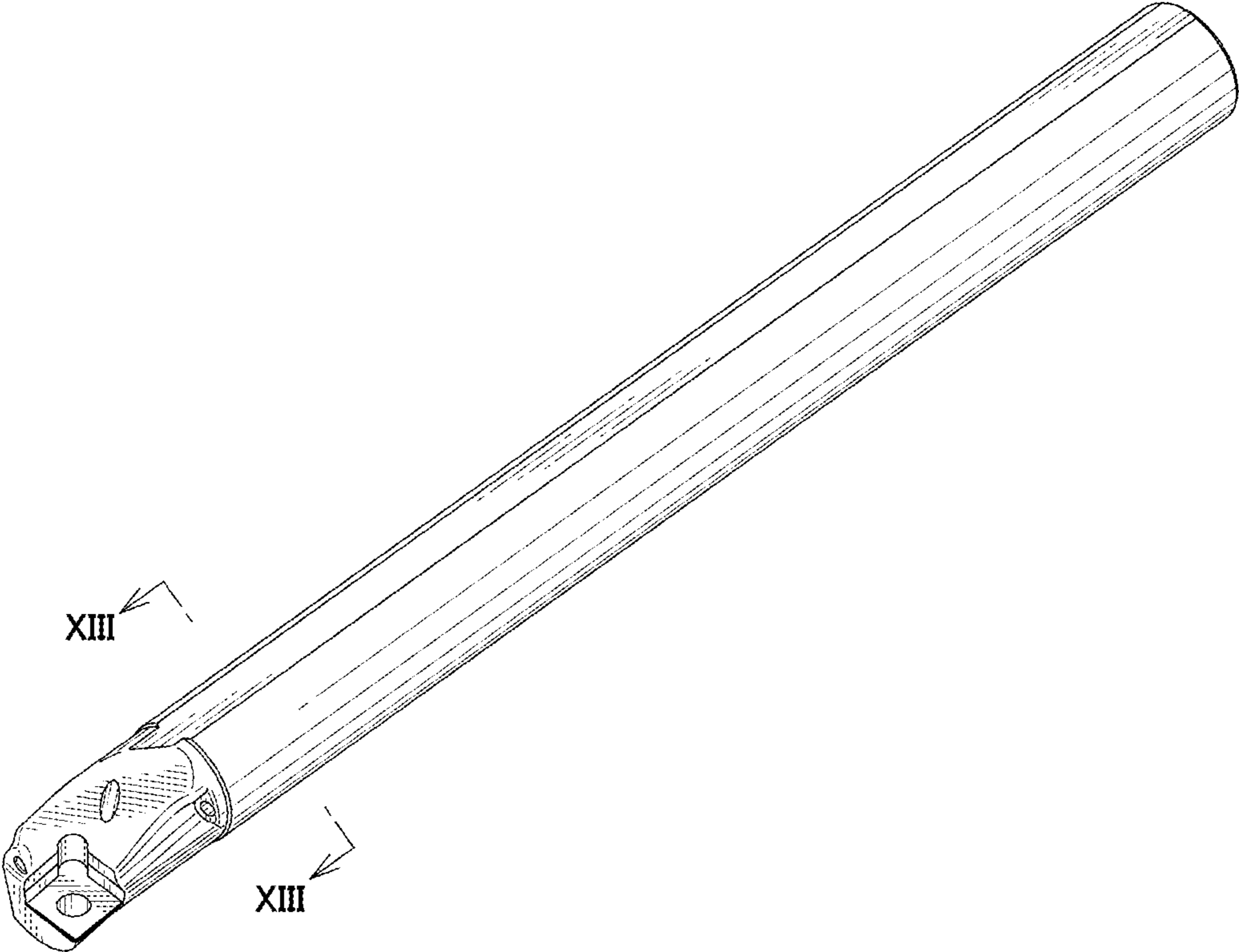


FIG.8

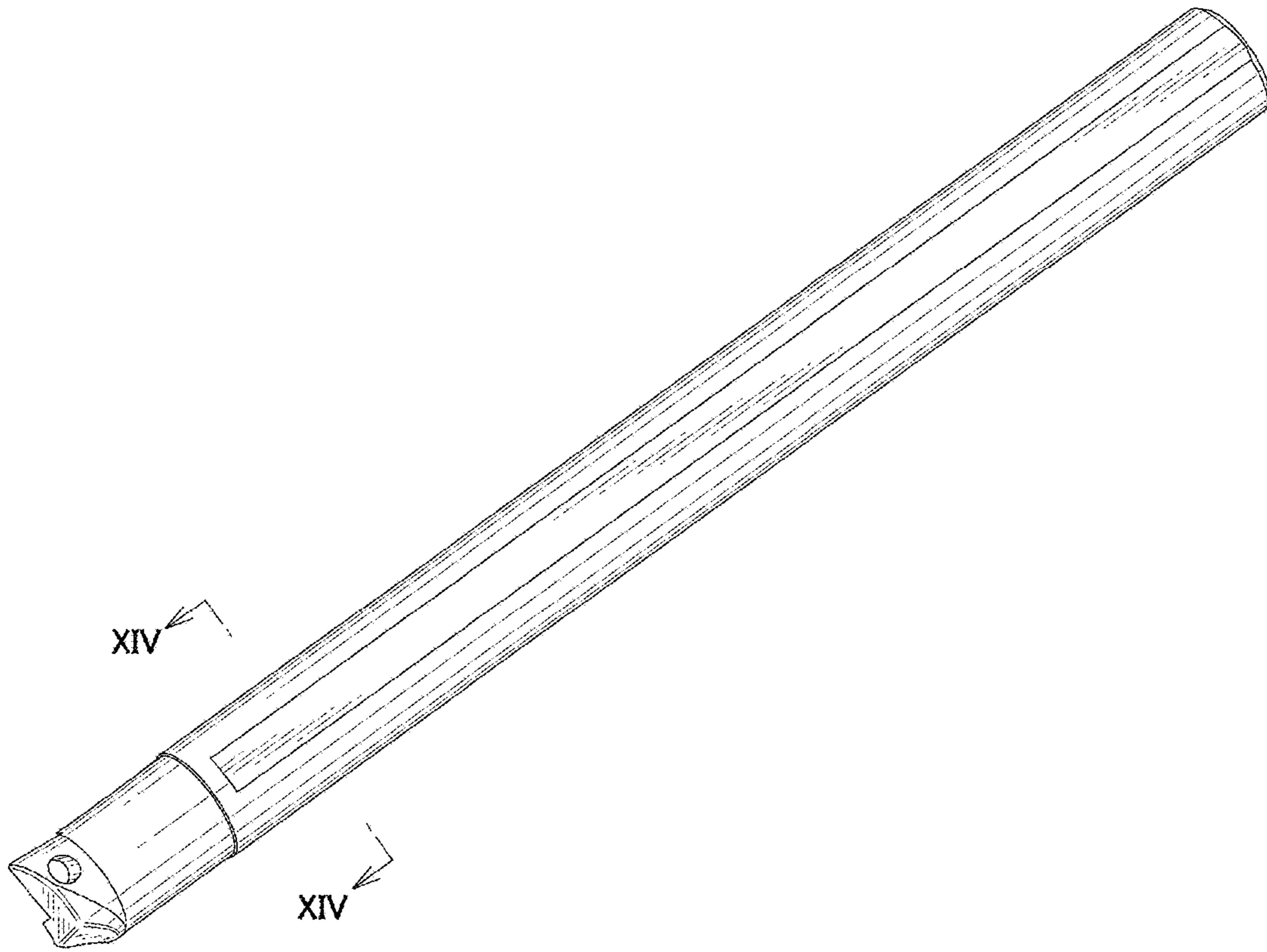


FIG.9

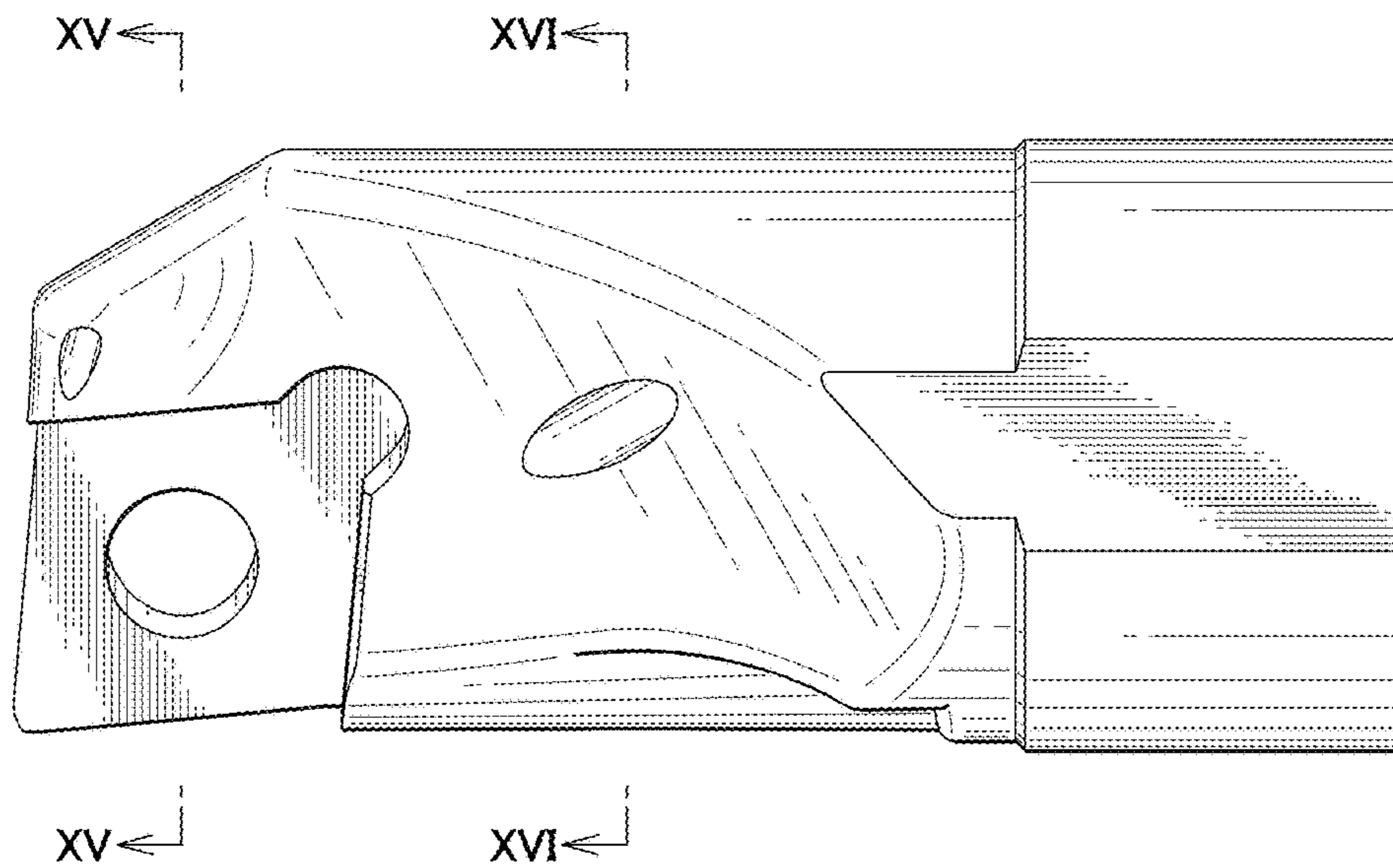


FIG.10

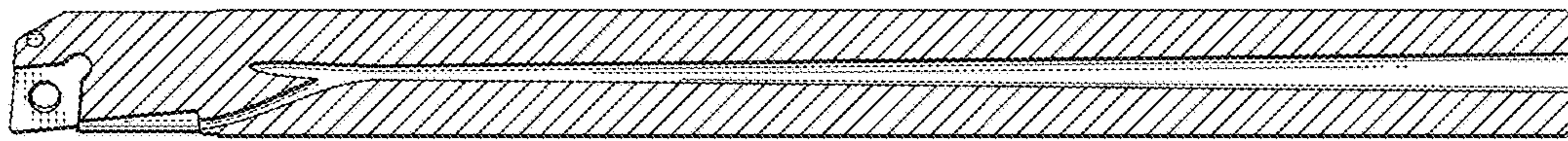


FIG.11

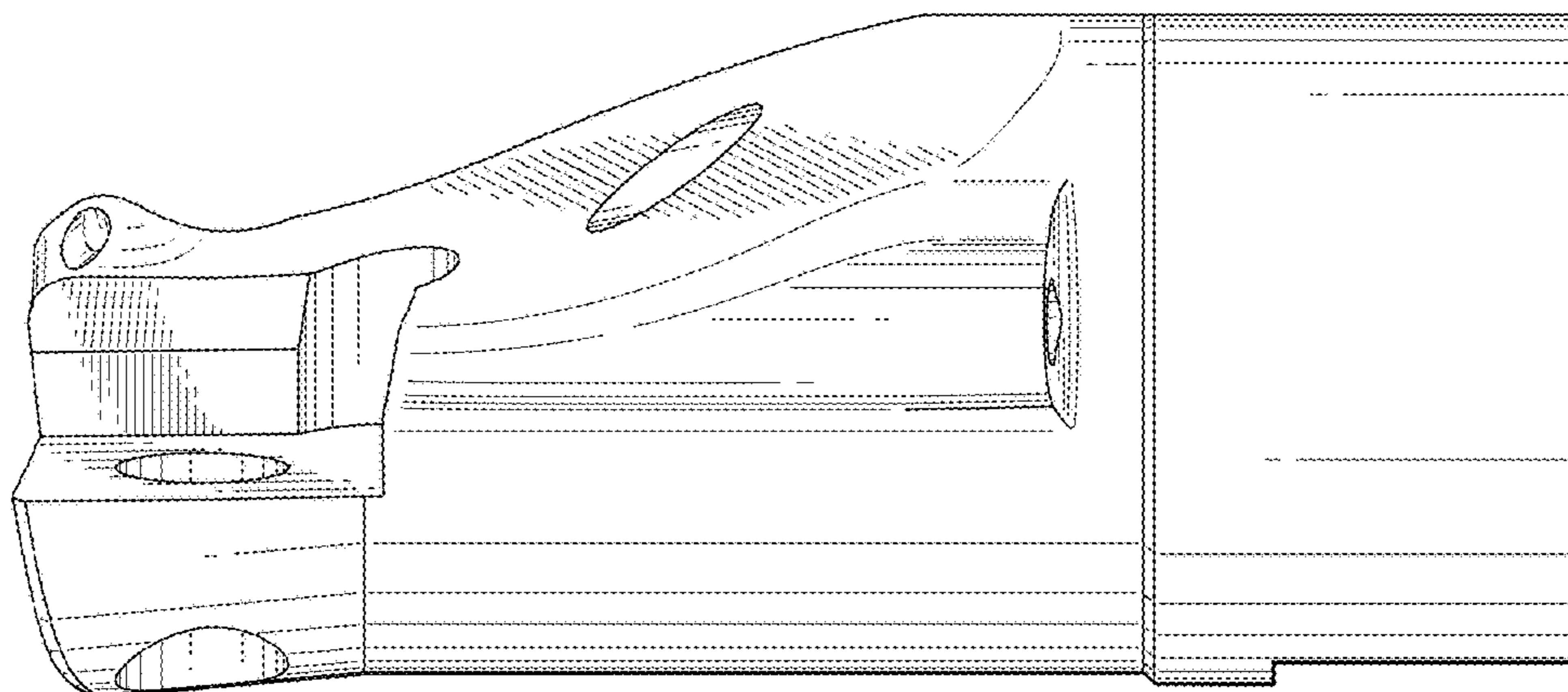


FIG.12

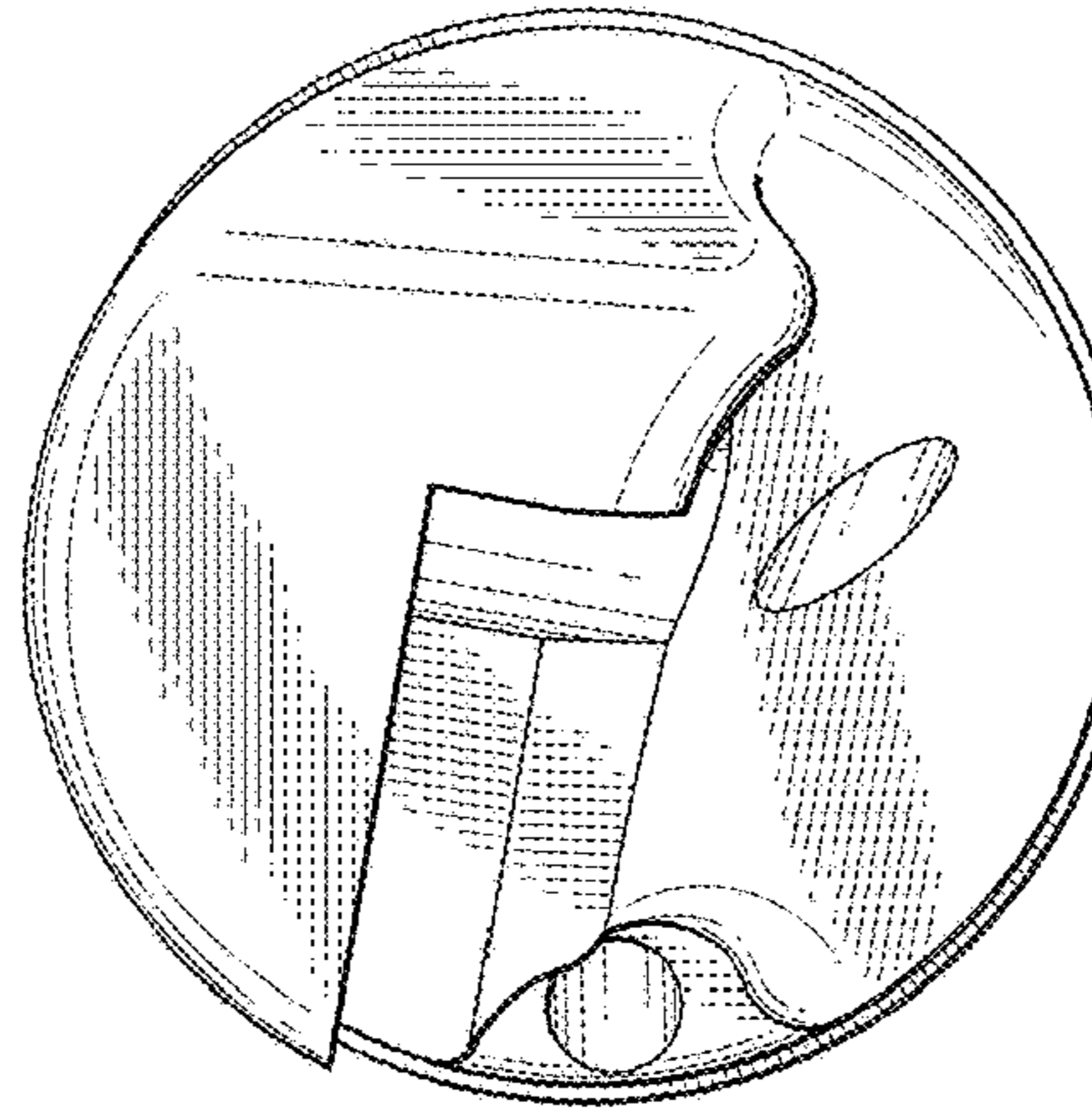


FIG.13

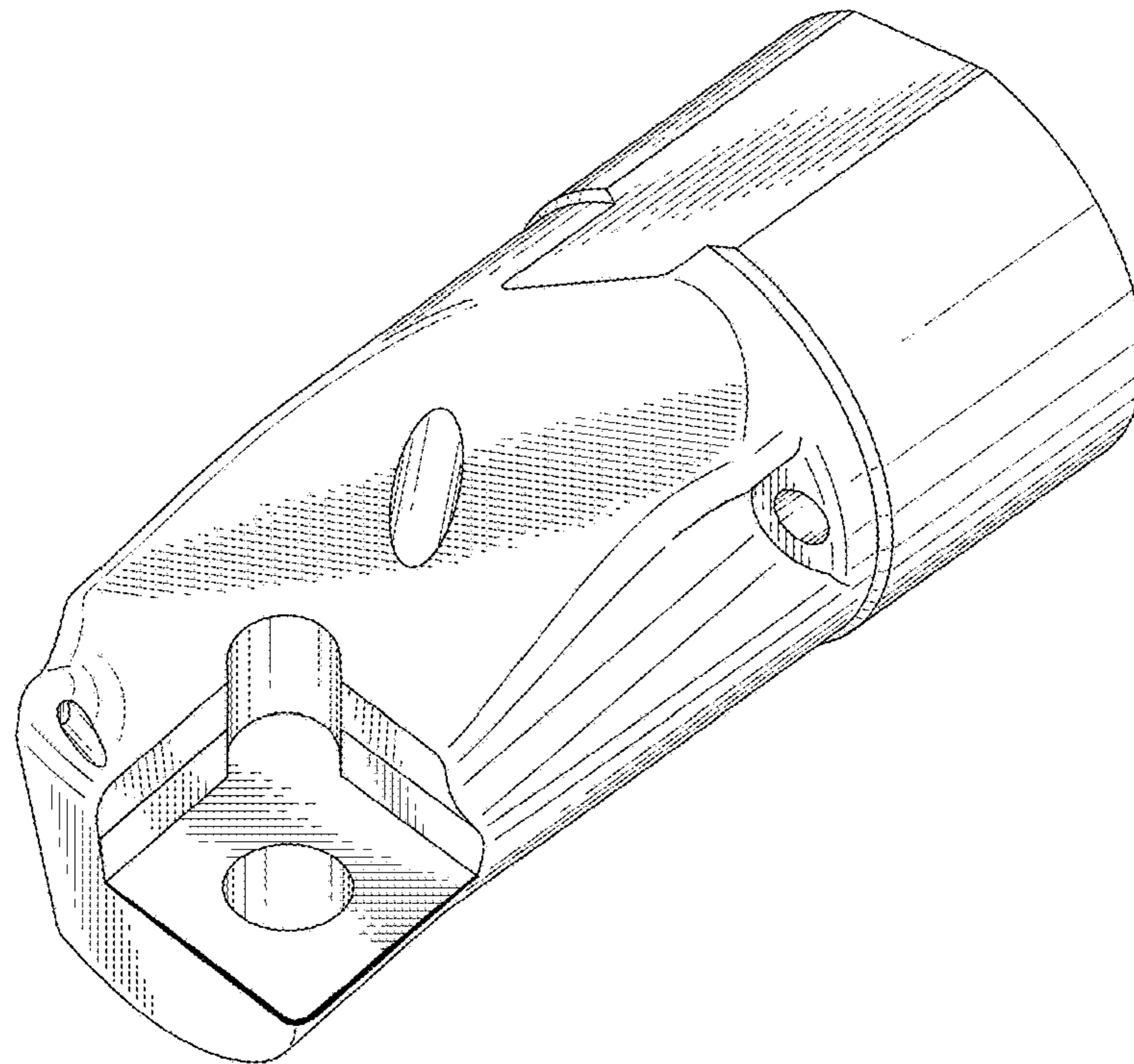


FIG.14

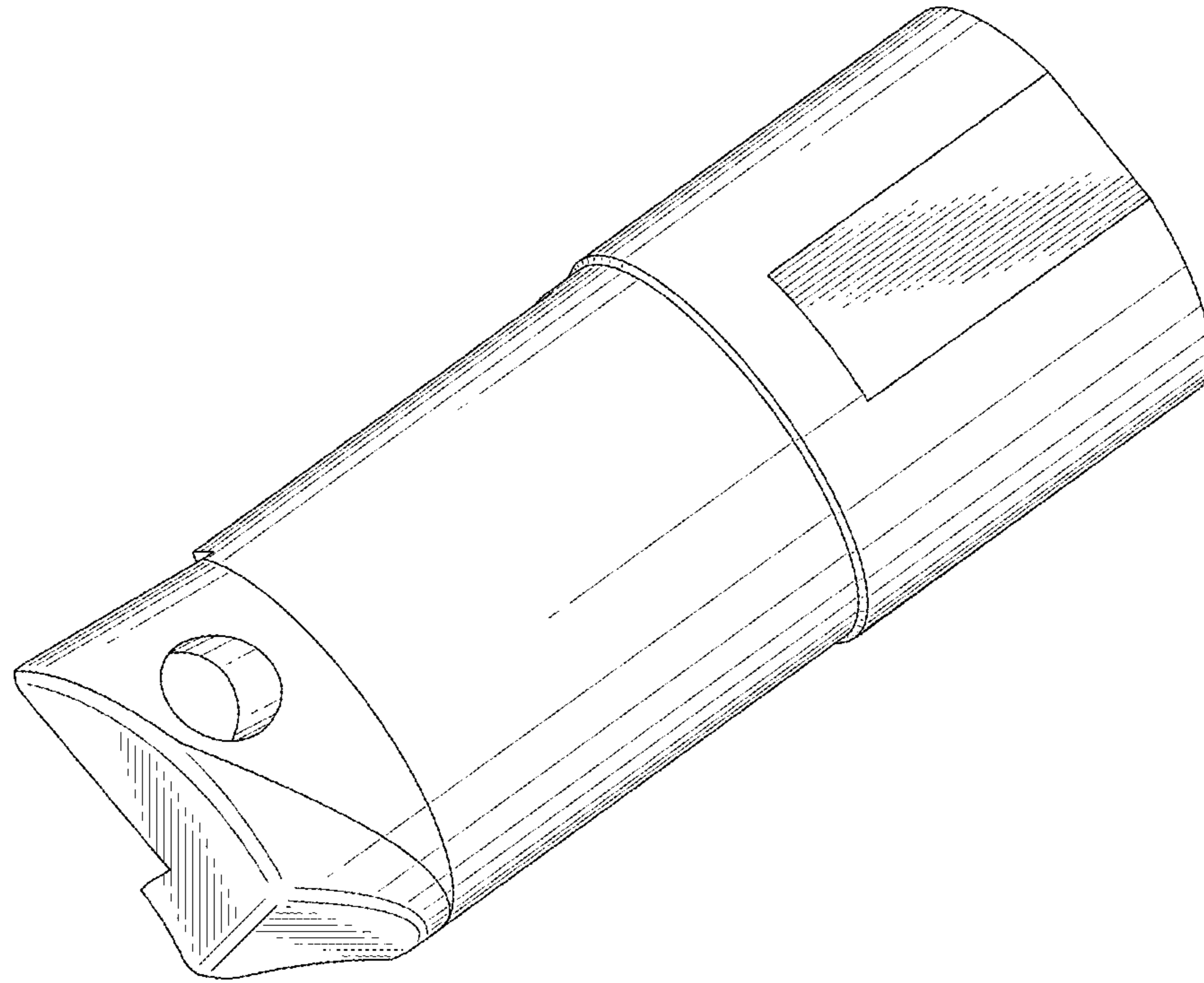


FIG.15

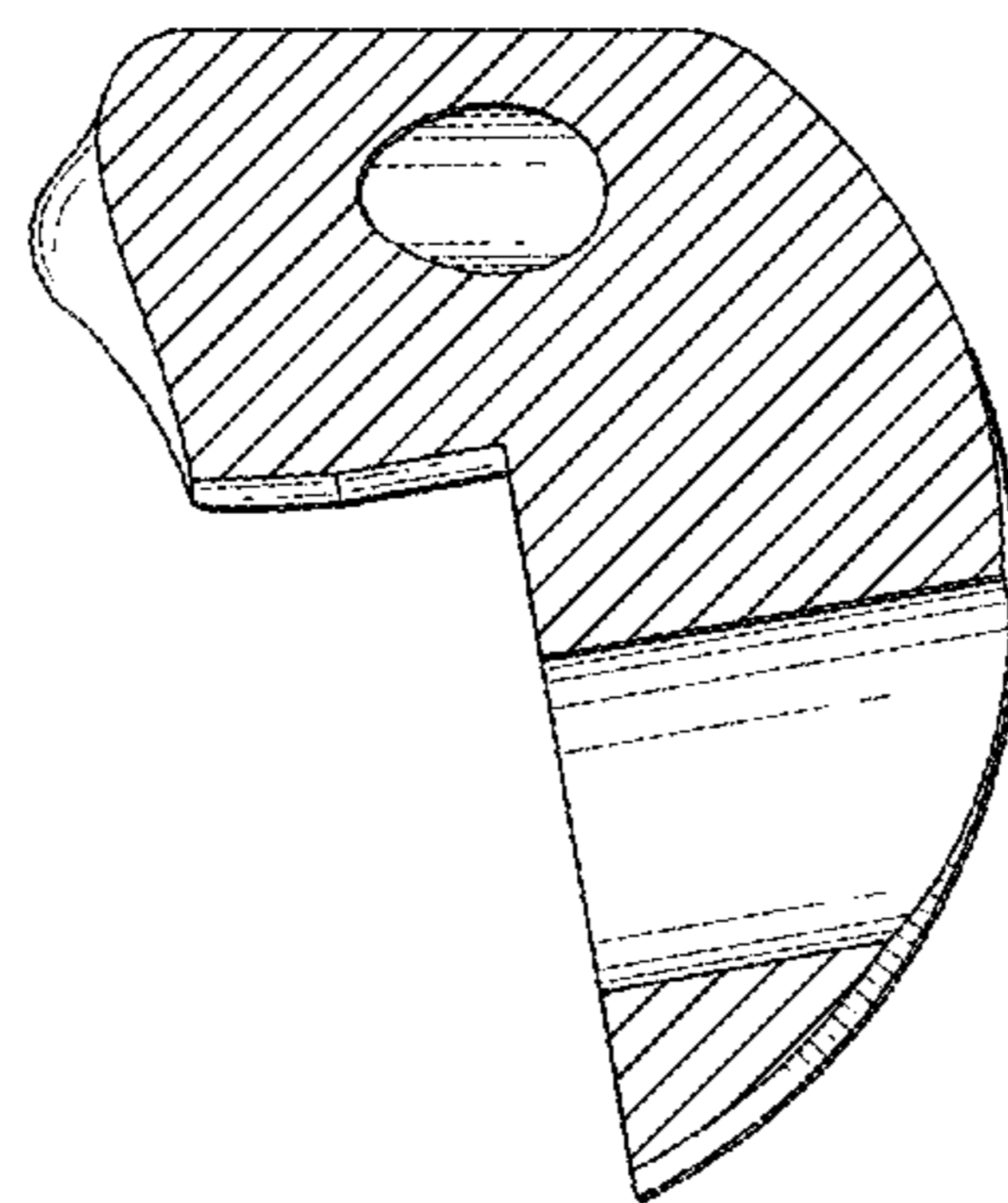


FIG.16

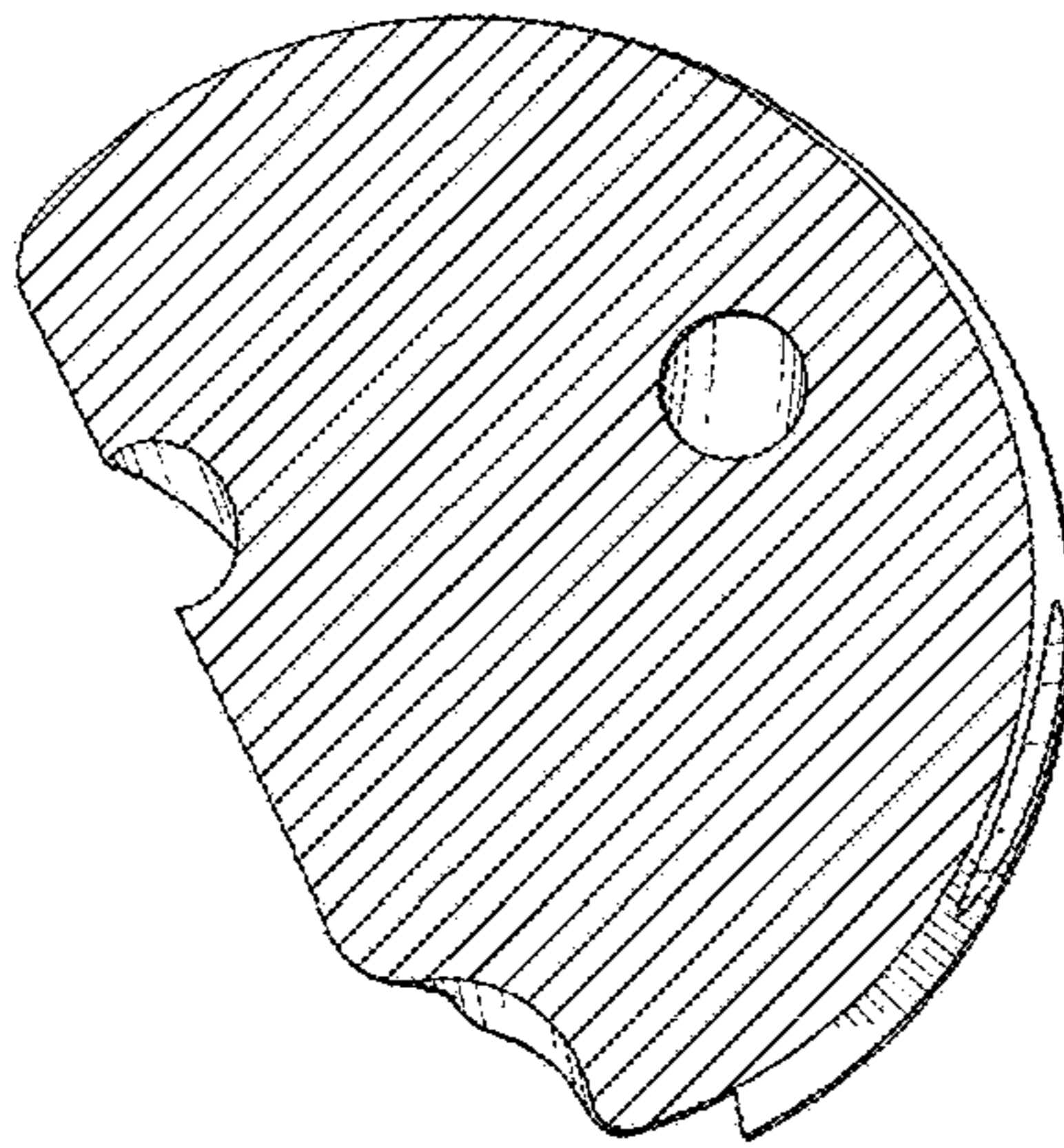


FIG.17

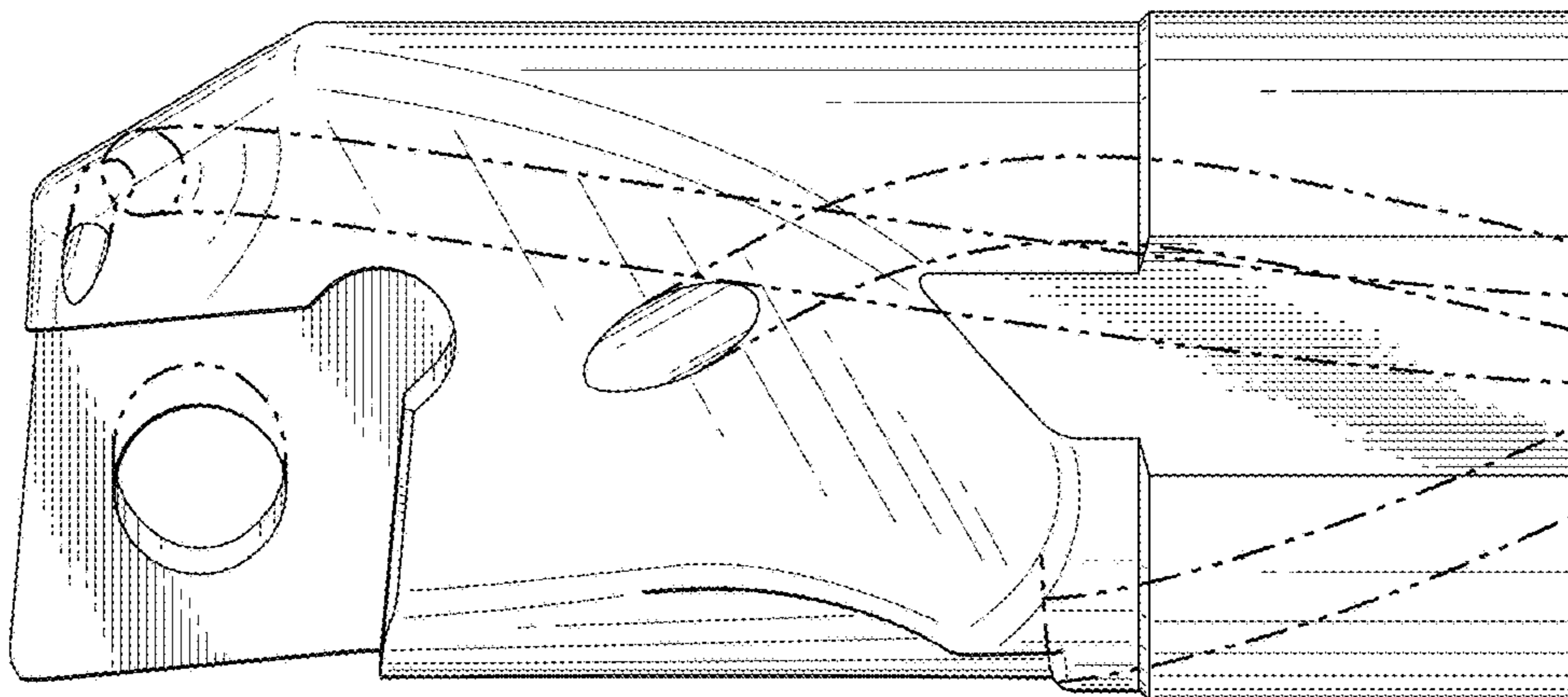


FIG.18

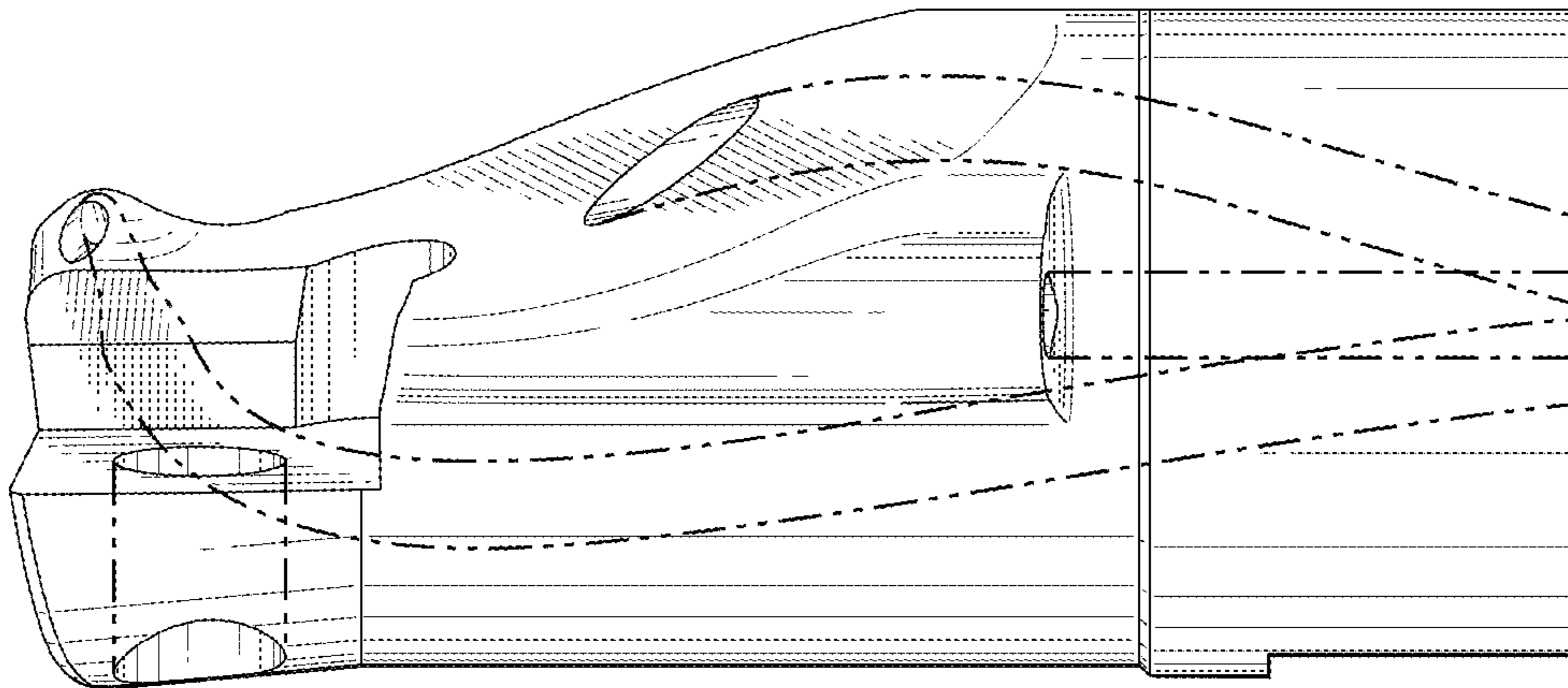


FIG.19

