



US00D847882S

(12) **United States Design Patent** (10) **Patent No.:** **US D847,882 S**  
**King** (45) **Date of Patent:** **\*\* May 7, 2019**

(54) **CHAMFERED-EDGE PLATE WITH NOTCHES AND CENTER APERTURE**  
(71) Applicant: **Cozzini LLC**, Chicago, IL (US)  
(72) Inventor: **Edwin Earl King**, Lombard, IL (US)  
(73) Assignee: **Cozzini LLC**, Chicago, IL (US)  
(\*\*) Term: **15 Years**  
(21) Appl. No.: **29/585,802**  
(22) Filed: **Nov. 29, 2016**  
(51) **LOC (11) Cl.** ..... **15-03**  
(52) **U.S. Cl.**  
USPC ..... **D15/139**  
(58) **Field of Classification Search**  
USPC .... D15/126, 133, 138, 139, 140; D8/20, 70;  
D7/409, 412  
CPC ..... B23D 61/00; B23D 61/02; B23D 61/021;  
B23D 61/04; B23D 61/121; A23N 17/00;  
A23N 17/02  
See application file for complete search history.

D336,882 S 6/1993 Steinke et al.  
6,007,007 A 12/1999 Haack et al.  
7,540,440 B2 \* 6/2009 Lesar ..... B02C 18/302  
241/296  
7,905,436 B2 \* 3/2011 Lesar ..... B02C 18/305  
241/82.3  
D678,725 S 3/2013 Sayers et al.  
D680,373 S 4/2013 Haggerty et al.  
D746,344 S \* 12/2015 Truty ..... D15/126  
2001/0052558 A1 12/2001 Younker  
2010/0282887 A1 11/2010 Walters  
2013/0062445 A1 3/2013 Wolff  
2013/0099036 A1 \* 4/2013 Wolff ..... B02C 18/30  
241/82.5  
2013/0164425 A1 \* 6/2013 Wolff ..... B02C 18/365  
426/513  
2014/0252143 A1 \* 9/2014 Wight ..... B02C 18/36  
241/30

\* cited by examiner

*Primary Examiner* — Khawaja Anwar  
(74) *Attorney, Agent, or Firm* — Brinks Gilson & Lione

(57) **CLAIM**

I claim the ornamental design for a chamfered-edge plate with notches and center aperture, as shown and described.

**DESCRIPTION**

FIG. 1 is a top front perspective view of a chamfered-edge plate with notches and center aperture;  
FIG. 2 is a top rear perspective plan view thereof;  
FIG. 3 is a front elevation view thereof;  
FIG. 4 is a rear elevation view thereof;  
FIG. 5 is a left side edge view thereof;  
FIG. 6 is a right side edge view thereof;  
FIG. 7 is a top side edge view thereof; and,  
FIG. 8 is a bottom side edge view thereof.  
The broken lines in the drawings show environment and form no part of the claimed design.

**1 Claim, 5 Drawing Sheets**

(56) **References Cited**

**U.S. PATENT DOCUMENTS**

1,695,898 A 12/1928 Laemmel  
2,625,846 A \* 1/1953 Hess ..... B02C 18/365  
408/1 R  
3,286,551 A \* 11/1966 Tipton ..... B02C 18/36  
241/82.5  
3,417,800 A \* 12/1968 Tipton ..... B02C 18/36  
241/82.5  
3,471,800 A 10/1969 Congleton et al.  
3,542,104 A 11/1970 Anderson  
3,936,005 A \* 2/1976 Schnell ..... B02C 18/365  
241/83  
4,023,253 A \* 5/1977 Funakubo ..... B02C 18/365  
241/82.7

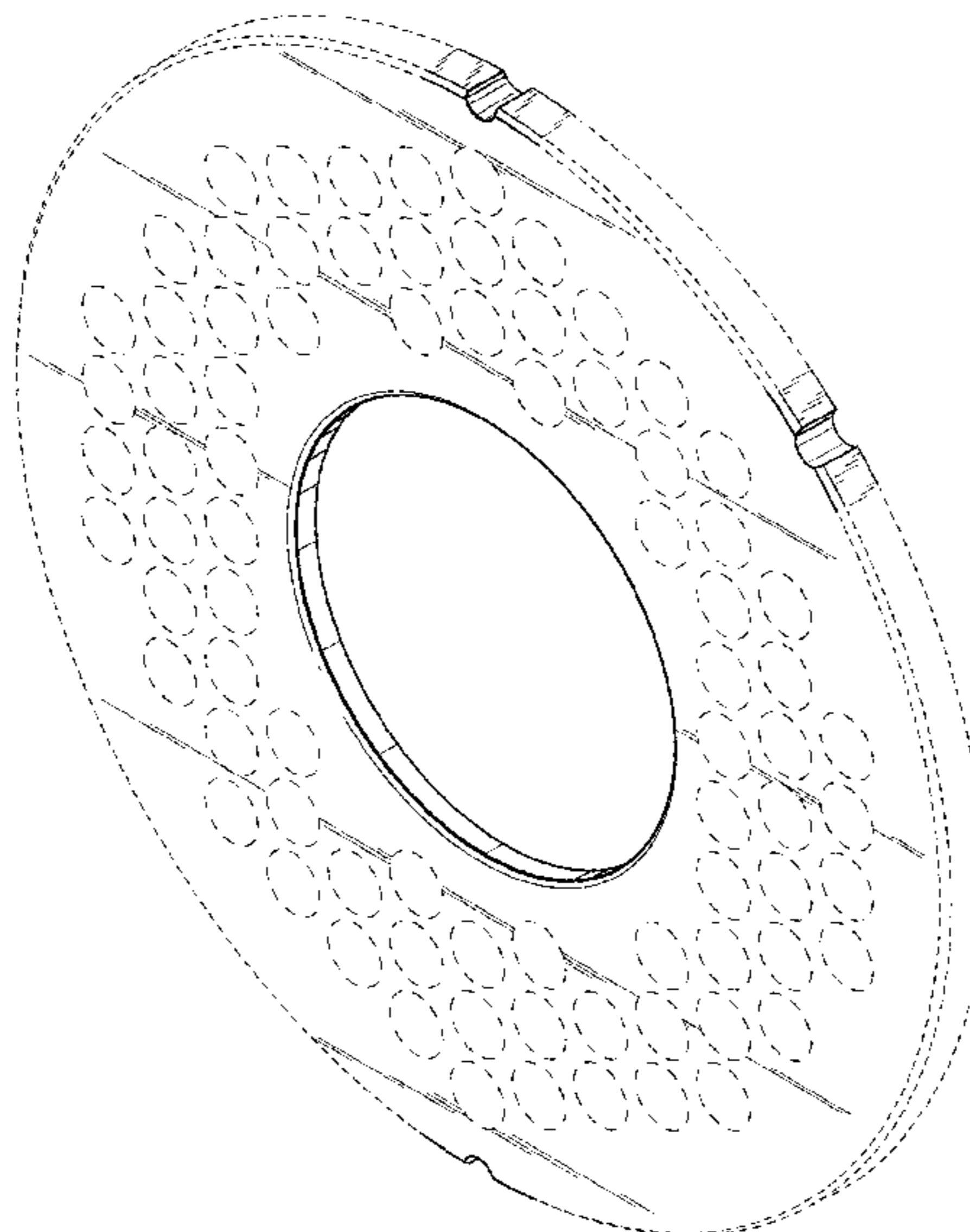


Fig. 1

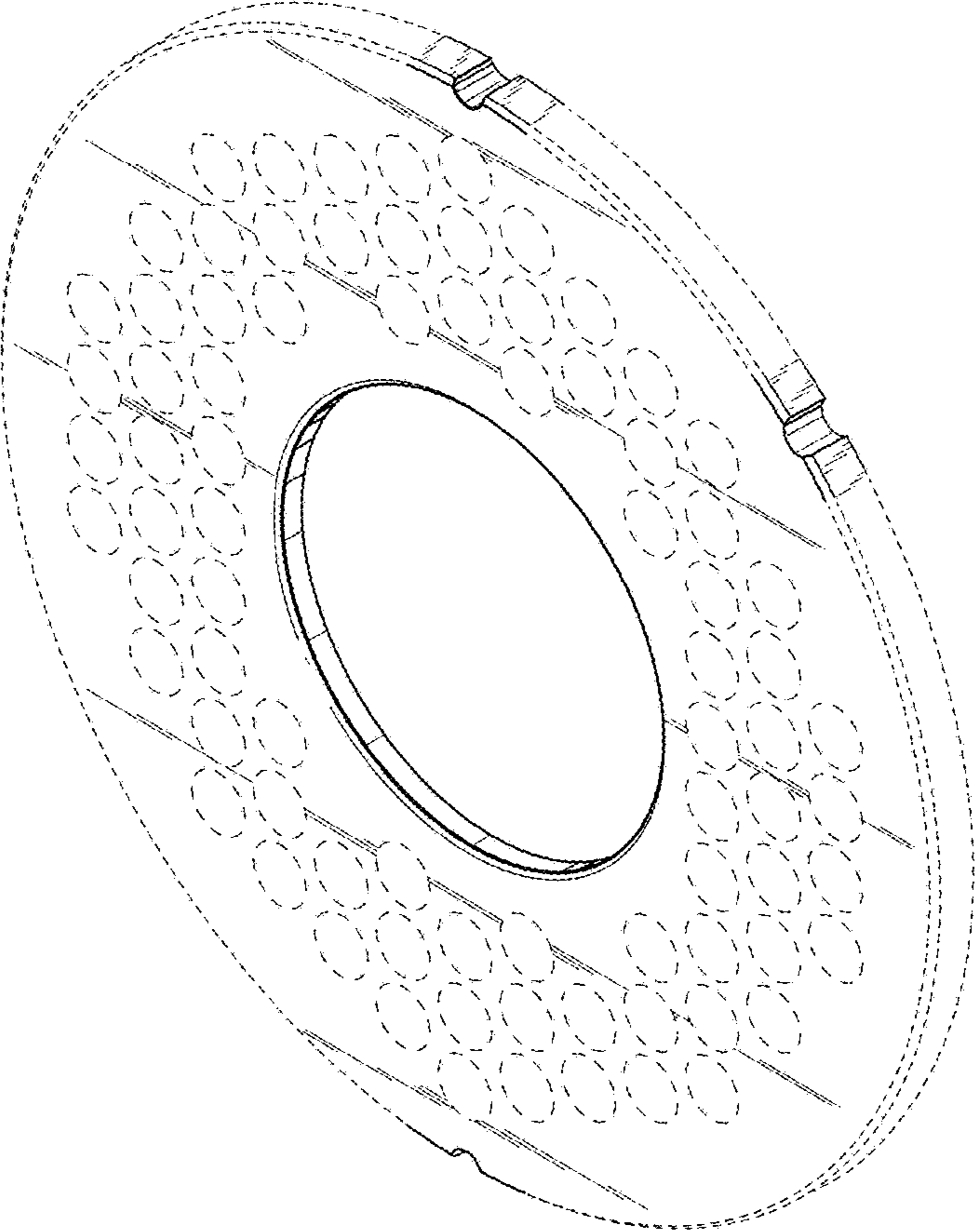


Fig. 2

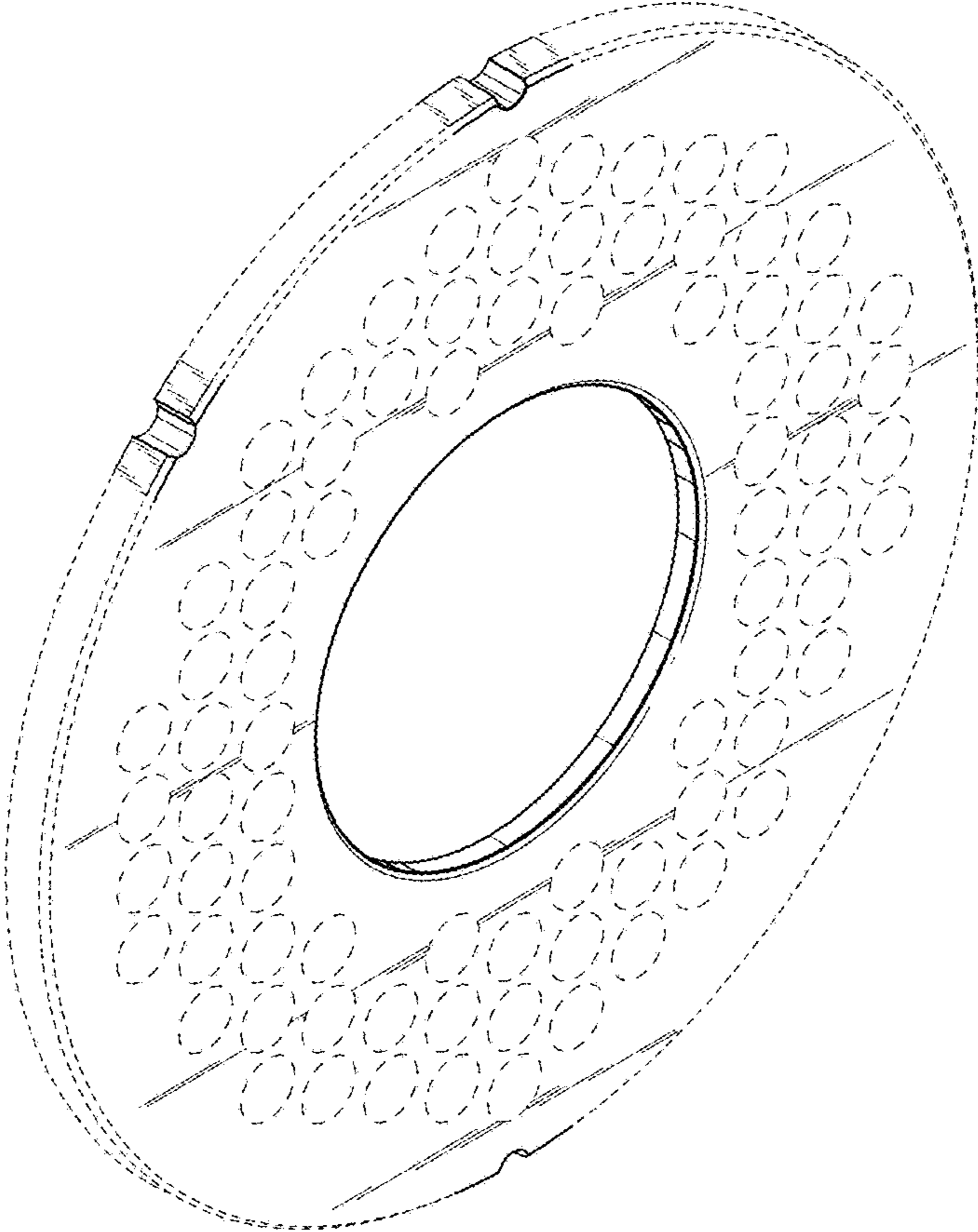


Fig. 3

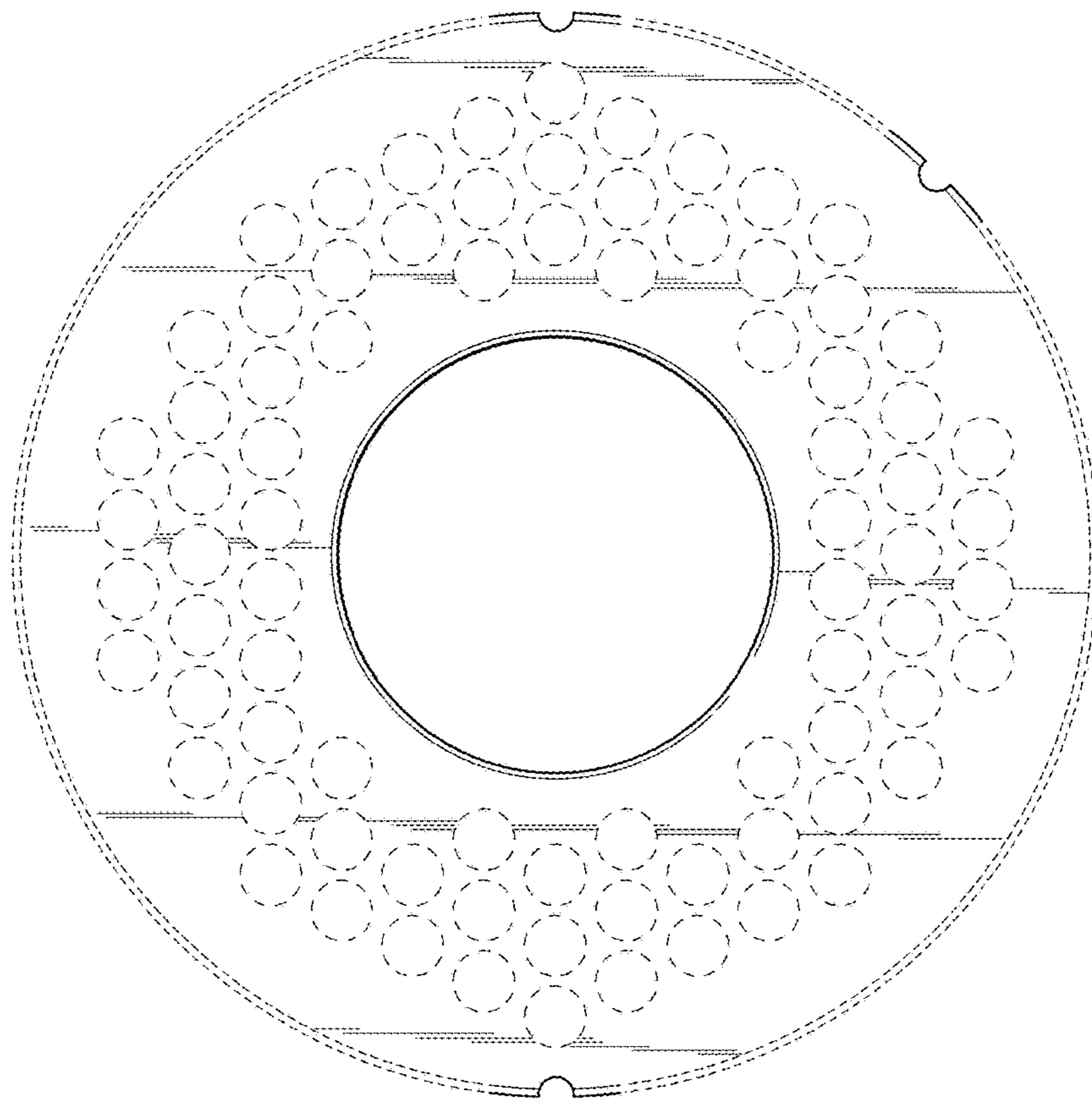


Fig. 4

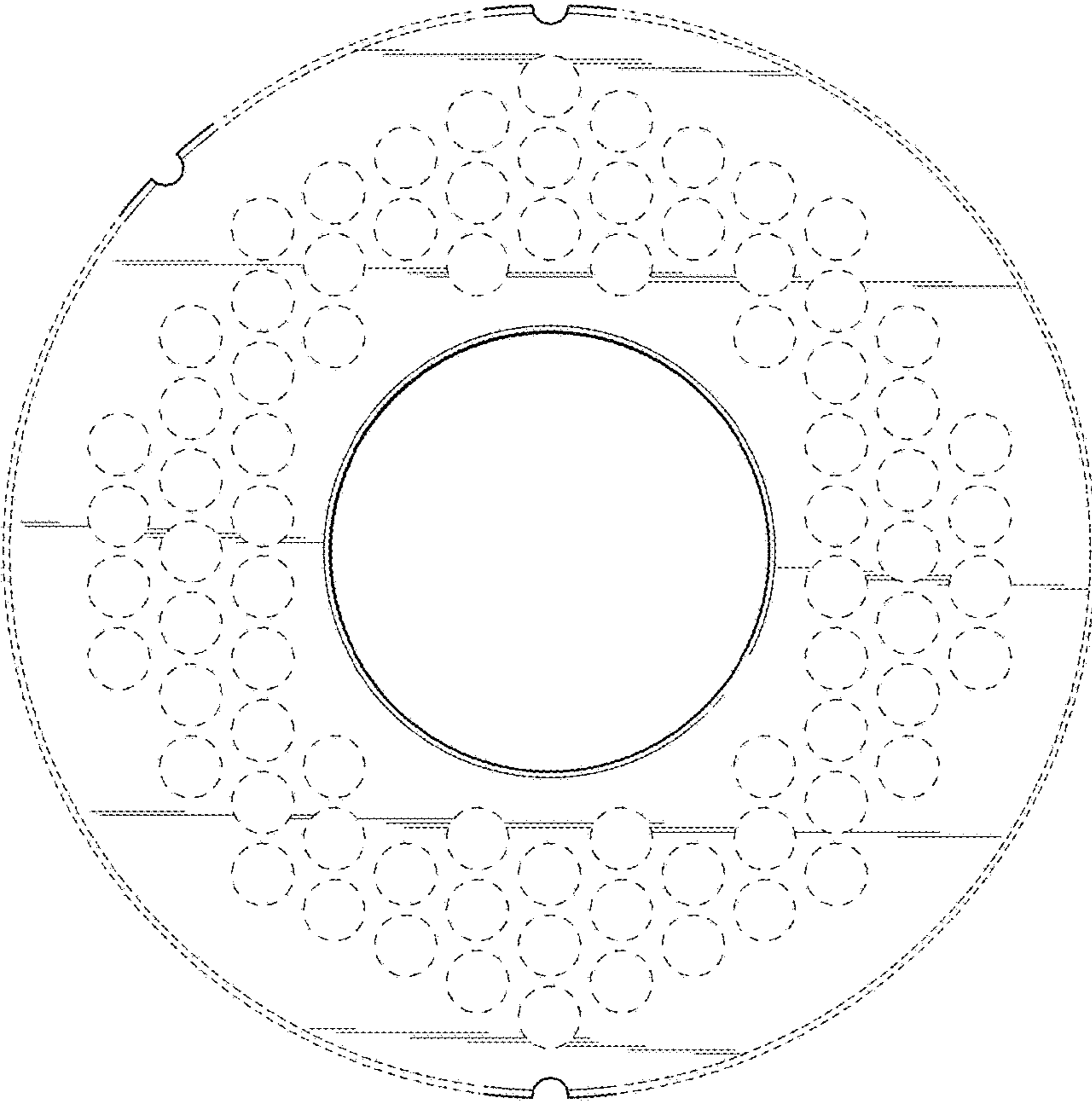


Fig. 7



Fig. 5

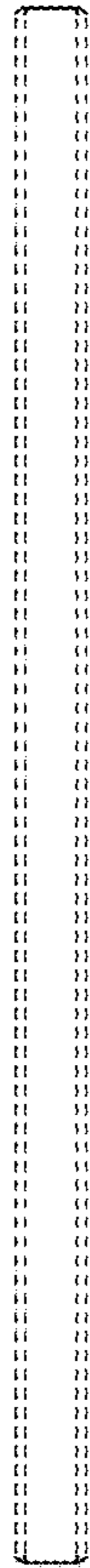


Fig. 6

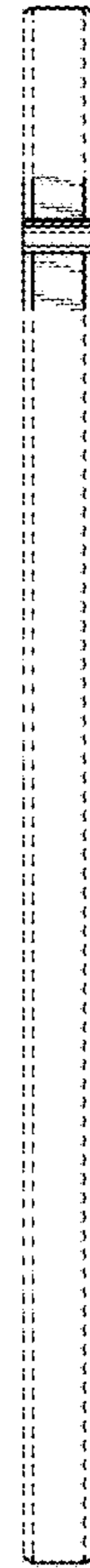


Fig. 8

