



US00D847880S

(12) **United States Design Patent**
Tien et al.

(10) **Patent No.:** **US D847,880 S**

(45) **Date of Patent:** **** May 7, 2019**

(54) **CIRCULAR DISC MAGNETIC STIRRER**

(71) Applicants: **Linsheng Walter Tien**, Irvine, CA (US); **Nick J. Manesis**, San Ramon, CA (US); **Gene H. Huang**, Irvine, CA (US)

(72) Inventors: **Linsheng Walter Tien**, Irvine, CA (US); **Nick J. Manesis**, San Ramon, CA (US); **Gene H. Huang**, Irvine, CA (US)

(**) Term: **15 Years**

(21) Appl. No.: **29/578,776**

(22) Filed: **Sep. 23, 2016**

(51) **LOC (11) Cl.** **15-03**

(52) **U.S. Cl.**
USPC **D15/122**

(58) **Field of Classification Search**
USPC D7/376-380; D24/220, 231, 232, 233, D24/234; D15/122, 138, 123, 199
CPC .. A61K 2300/00; A61K 31/505; A61K 31/53; A61K 31/536; A61K 31/5377; A61K 31/551; A61K 33/00; A61K 33/24; A61K 45/06; A61K 2800/48; A61K 39/39; A61K 8/19; A61K 8/553; A61K 9/14; A61K 2039/525; A61K 2039/5252; A61K 2039/05; A61K 2039/70; A61K 2800/28; A61K 2800/30; A61K 2800/49; A61K 2800/522; A61K 2800/524; A61K 2800/805; A61K 31/00; A61K 31/01; A61K 31/167; A61K 31/4184; A61K 31/428; A61K 31/74; A61K 31/765; A61K 38/00; A61K 38/162
See application file for complete search history.

(56) **References Cited**

U.S. PATENT DOCUMENTS

D272,088 S * 1/1984 Simons D24/220
D426,312 S * 6/2000 Gomes D24/220

D558,888 S * 1/2008 Ware D24/216
D621,205 S * 8/2010 Yeung D7/367
D701,616 S * 3/2014 Schroer D24/220
D718,464 S * 11/2014 Schroer D24/220
D733,312 S * 6/2015 Schroer D24/220
D745,181 S * 12/2015 Schroer D24/220

* cited by examiner

Primary Examiner — Khawaja Anwar

(74) *Attorney, Agent, or Firm* — WPAT, P.C., Intellectual Property Attorneys; Anthony King

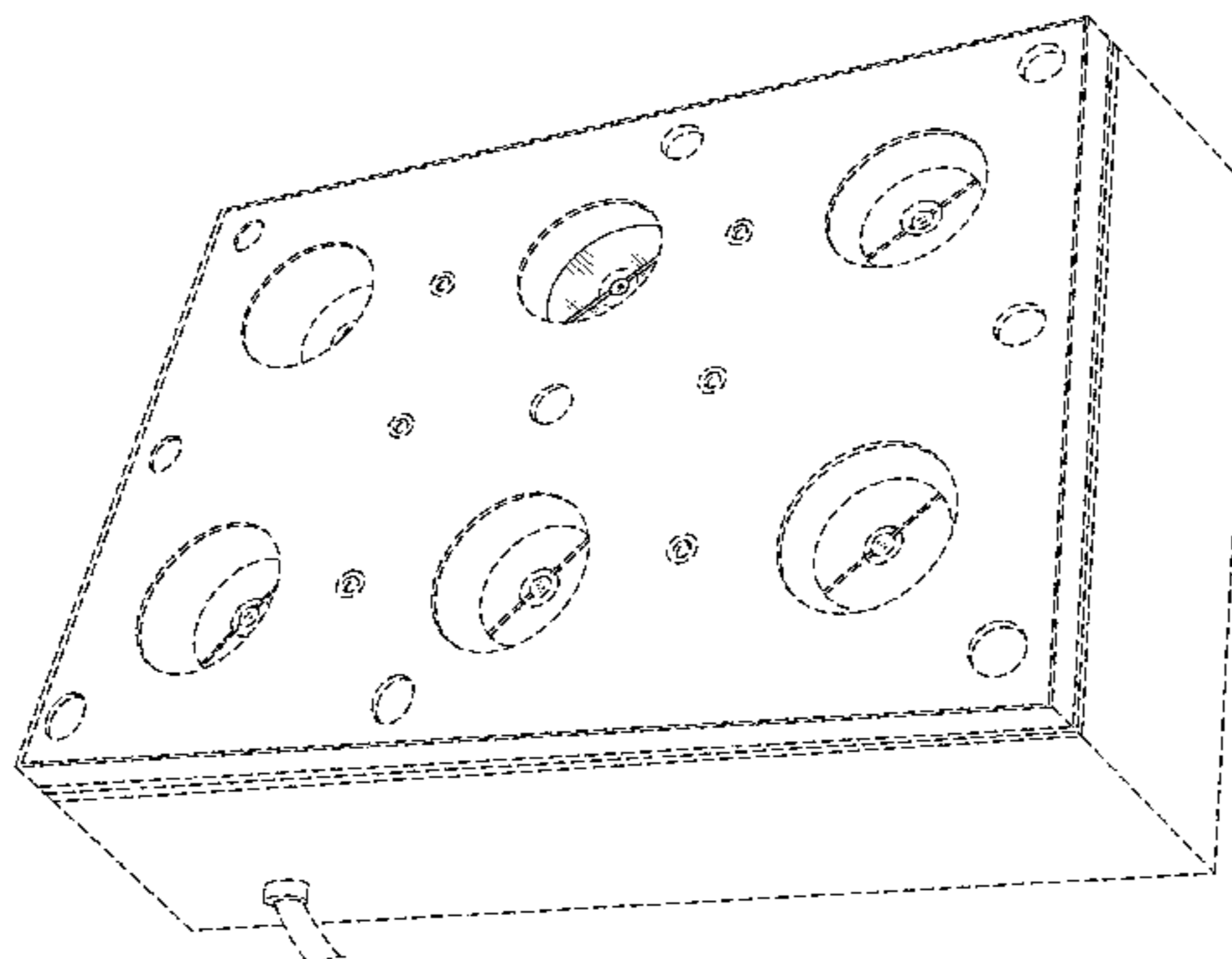
(57) **CLAIM**

The ornamental design for a circular disc magnetic stirrer, as shown and described.

DESCRIPTION

FIG. 1 is a top and side perspective view of a first embodiment of a circular disc magnetic stirrer in a housing of the present invention;
FIG. 2 is a top view of the circular disc magnetic stirrer in a housing of FIG. 1;
FIG. 3 is a bottom view of the circular disc magnetic stirrer in a housing of FIG. 1;
FIG. 4 is a right side perspective view of a circular disc magnetic stirrer in a housing of the present invention of FIG. 1; and,
FIG. 5 is front and back side view of the circular disc magnetic stirrer in a housing of FIG. 1.
The broken lines in the figures shown structure or boundaries for illustrative purpose only and are not part of the claimed design, but rather show the environment in which the design is associated, or show portions of the article in which the design is embodied or applied to that are not considered part of the claimed design. The broken lines shall form no part of the claimed design.

1 Claim, 4 Drawing Sheets



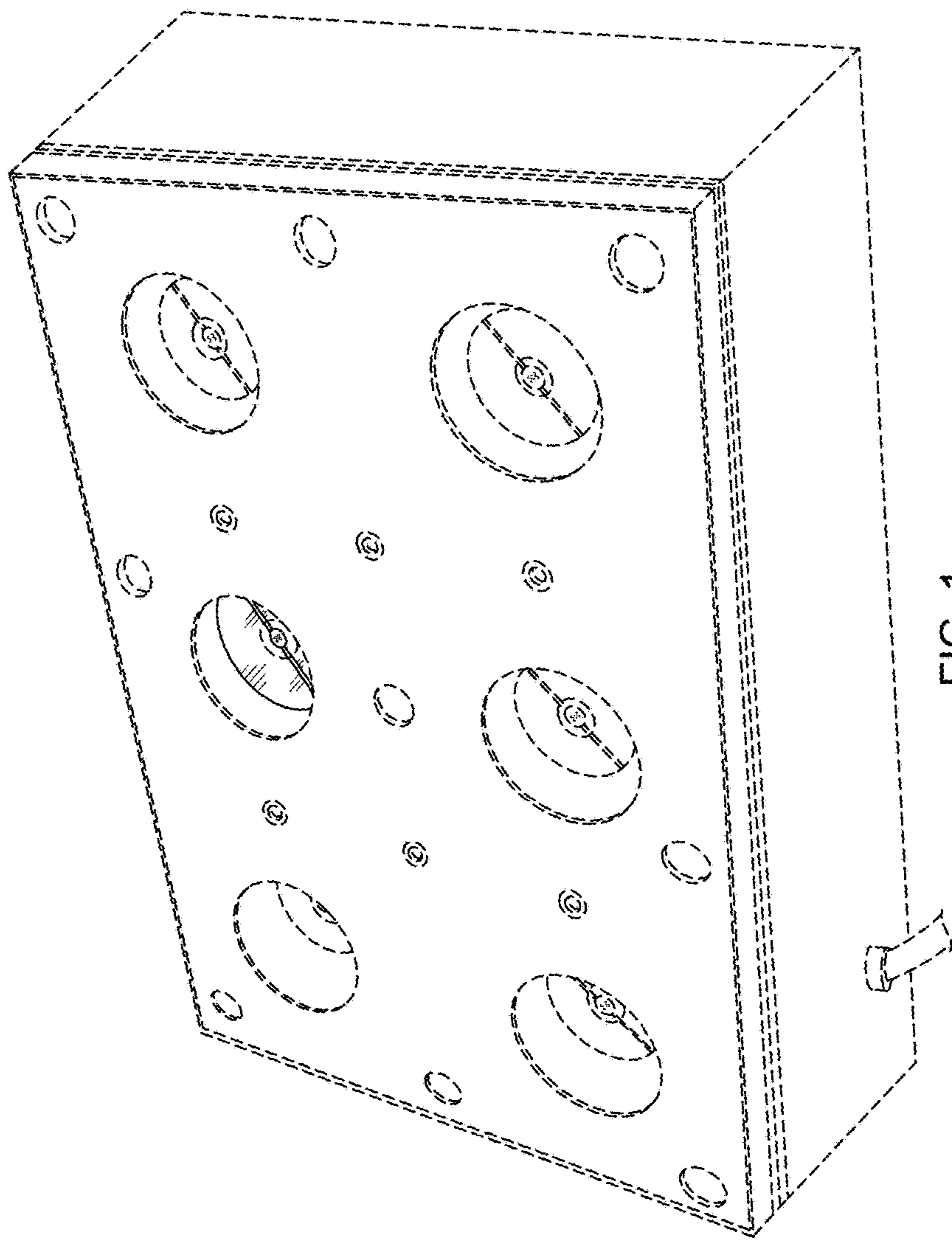


FIG. 1

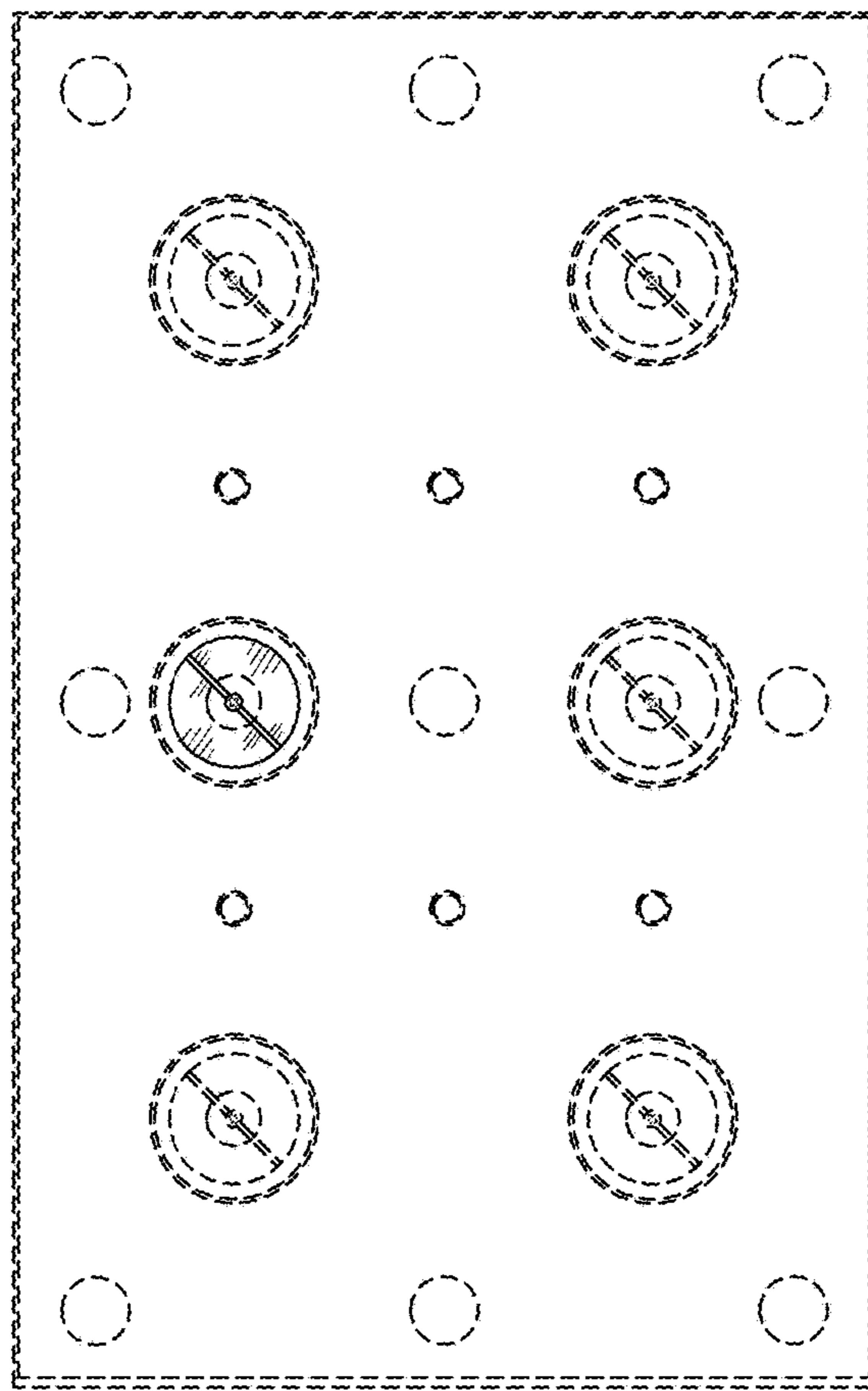


FIG. 2

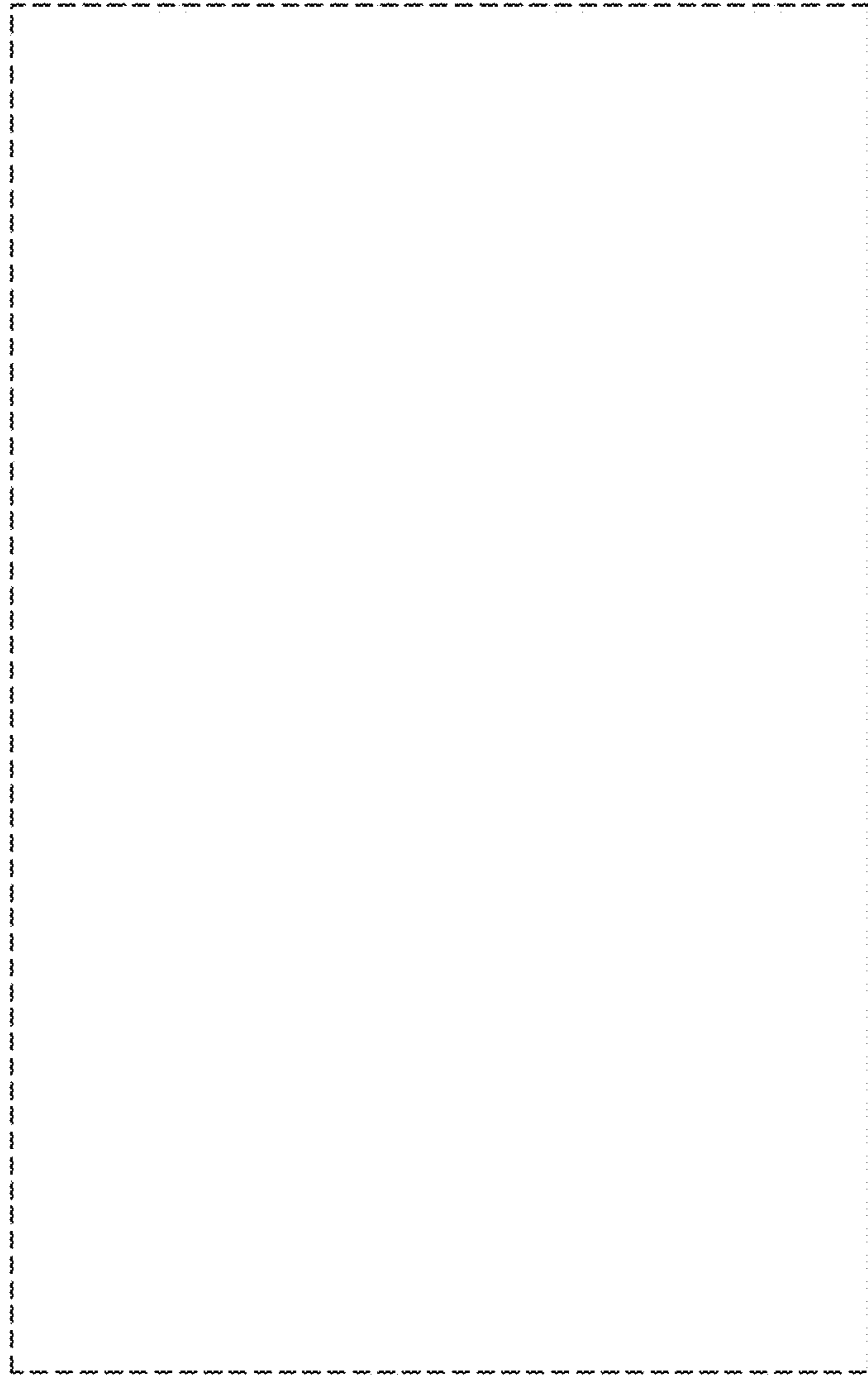


FIG. 3

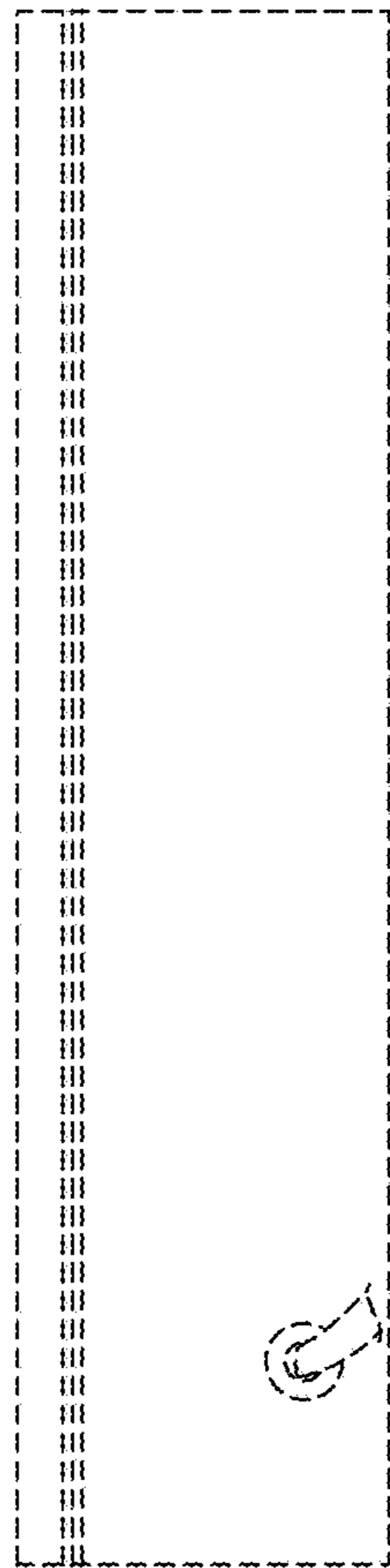


FIG. 4

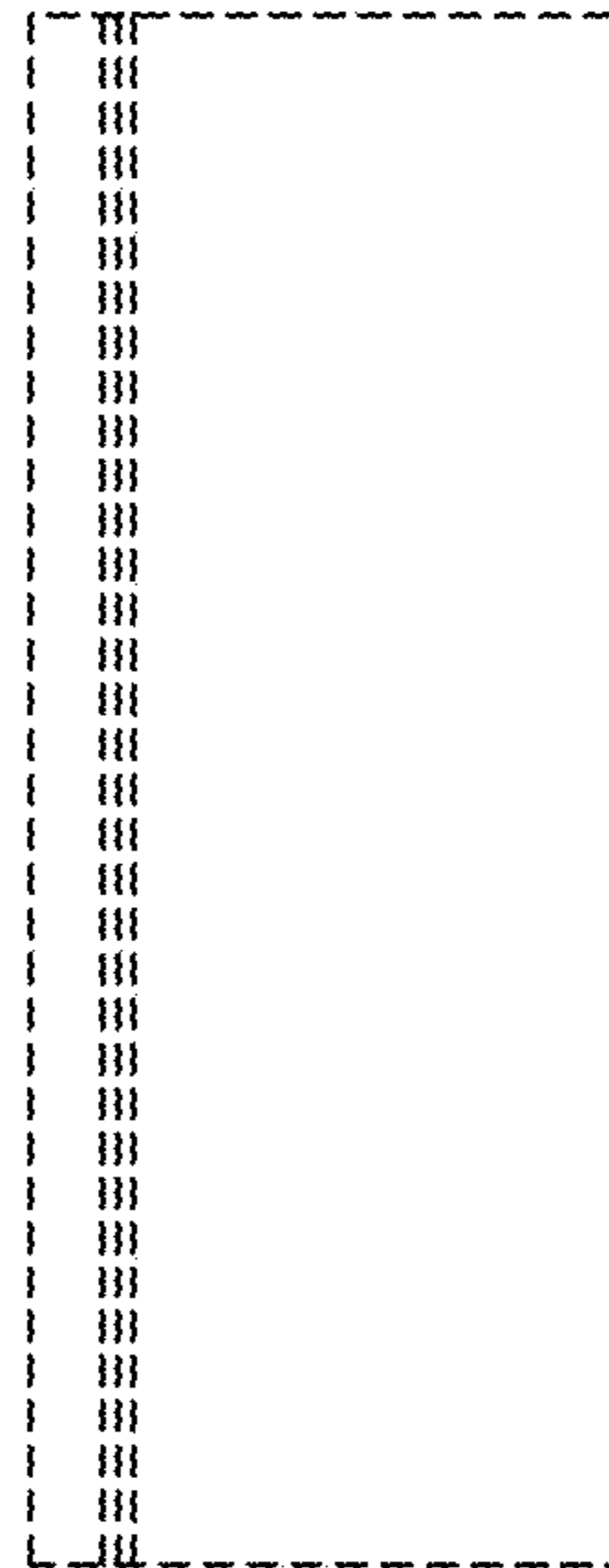


FIG. 5