



US00D847876S

(12) **United States Design Patent** (10) **Patent No.:** **US D847,876 S**  
**Iovanel** (45) **Date of Patent:** **\*\* May 7, 2019**

(54) **MODULAR REFRIGERATION SYSTEM AND RETROFIT ASSEMBLY**

(71) Applicant: **Flavian Iovanel**, Plainville, MA (US)

(72) Inventor: **Flavian Iovanel**, Plainville, MA (US)

(\*\*) Term: **15 Years**

(21) Appl. No.: **29/613,741**

(22) Filed: **Aug. 13, 2017**

(51) **LOC (11) Cl.** ..... **15-07**

(52) **U.S. Cl.**  
USPC ..... **D15/89**

(58) **Field of Classification Search**

USPC ..... D15/79-91  
CPC ..... F25D 23/028; F25D 25/02; F25D 11/00;  
F25D 11/02; F25D 2323/021; F25D  
23/12; F25D 2700/12; F25D 27/00; F25D  
29/00; F25D 17/042; F25D 17/047; F25D  
17/065; F25D 2317/043; F25D 2317/066;  
F25D 2317/0671; F25D 2323/121; F25D  
2331/801; F25D 23/02; F25D 23/04;  
F25D 23/08; F25D 2400/06; F25D  
2500/06; F25D 2700/02; F25D 2700/14;  
F25D 29/003; F25D 29/005; F25D  
29/006

See application file for complete search history.

(56) **References Cited**

U.S. PATENT DOCUMENTS

D681,072 S *	4/2013	Sata	.....	D15/79
D749,651 S *	2/2016	Abastari	.....	D15/79
D788,189 S *	5/2017	Maeda	.....	D15/89
D800,186 S *	10/2017	Maeda	.....	D15/89
D800,802 S *	10/2017	Maeda	.....	D15/89

\* cited by examiner

*Primary Examiner* — Khawaja Anwar

(57) **CLAIM**

The ornamental design for a modular refrigeration system and retrofit assembly, as shown and described.

**DESCRIPTION**

FIG. 1 is a front perspective view of a modular refrigeration system and retrofit assembly, showing the first embodiment of my new design;

FIG. 2 is a front view of FIG. 1;

FIG. 3 is a rear view FIG. 1;

FIG. 4 is a right side view of FIG. 1;

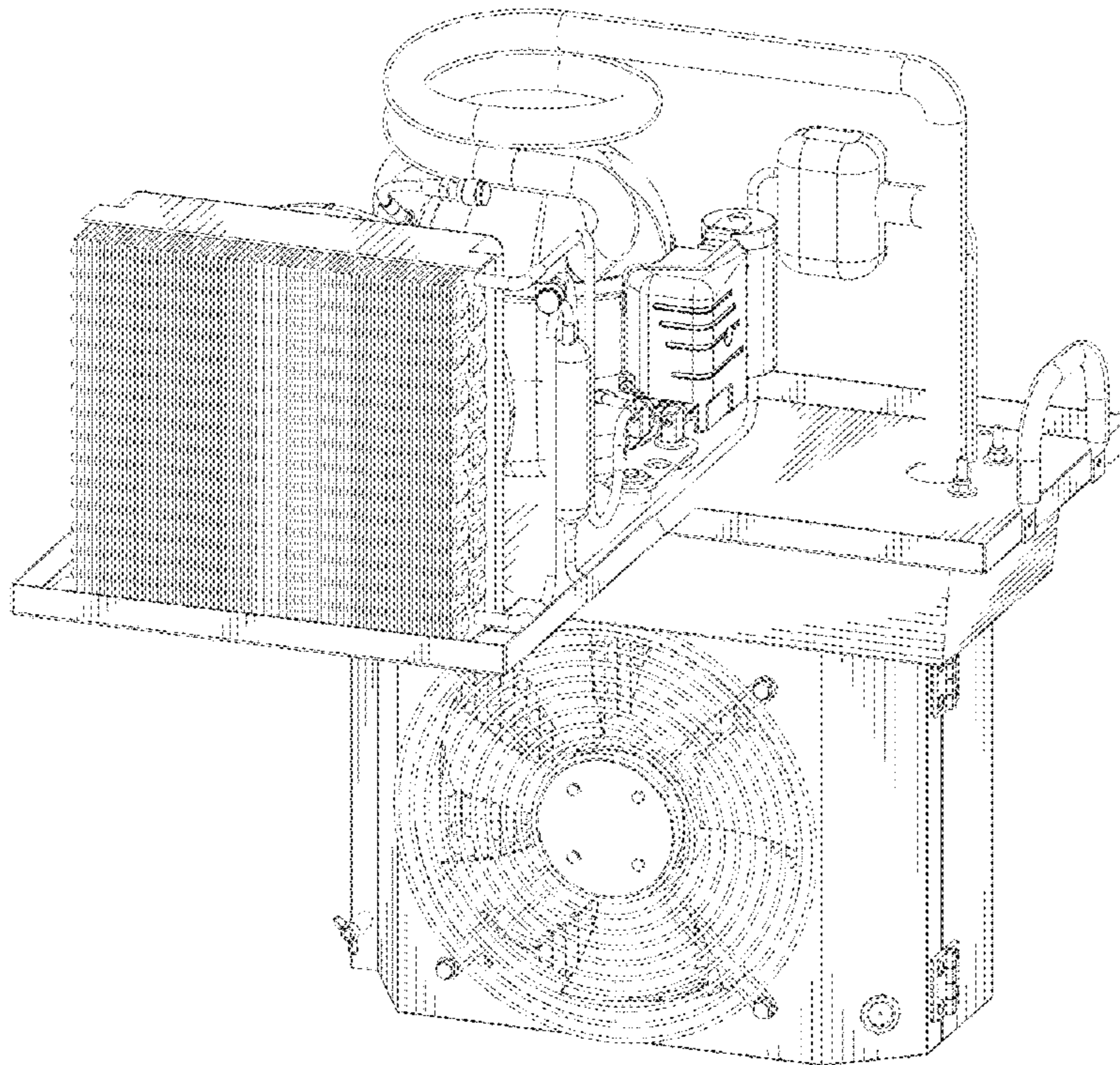
FIG. 5 is a left side view of FIG. 1;

FIG. 6 is top view of FIG. 1; and,

FIG. 7 is a front perspective view of a modular refrigeration system and retrofit assembly, showing the second embodiment of my new design.

The broken lines shown in the drawings represent unclaimed subject matter and show no part of the claimed design.

**1 Claim, 7 Drawing Sheets**



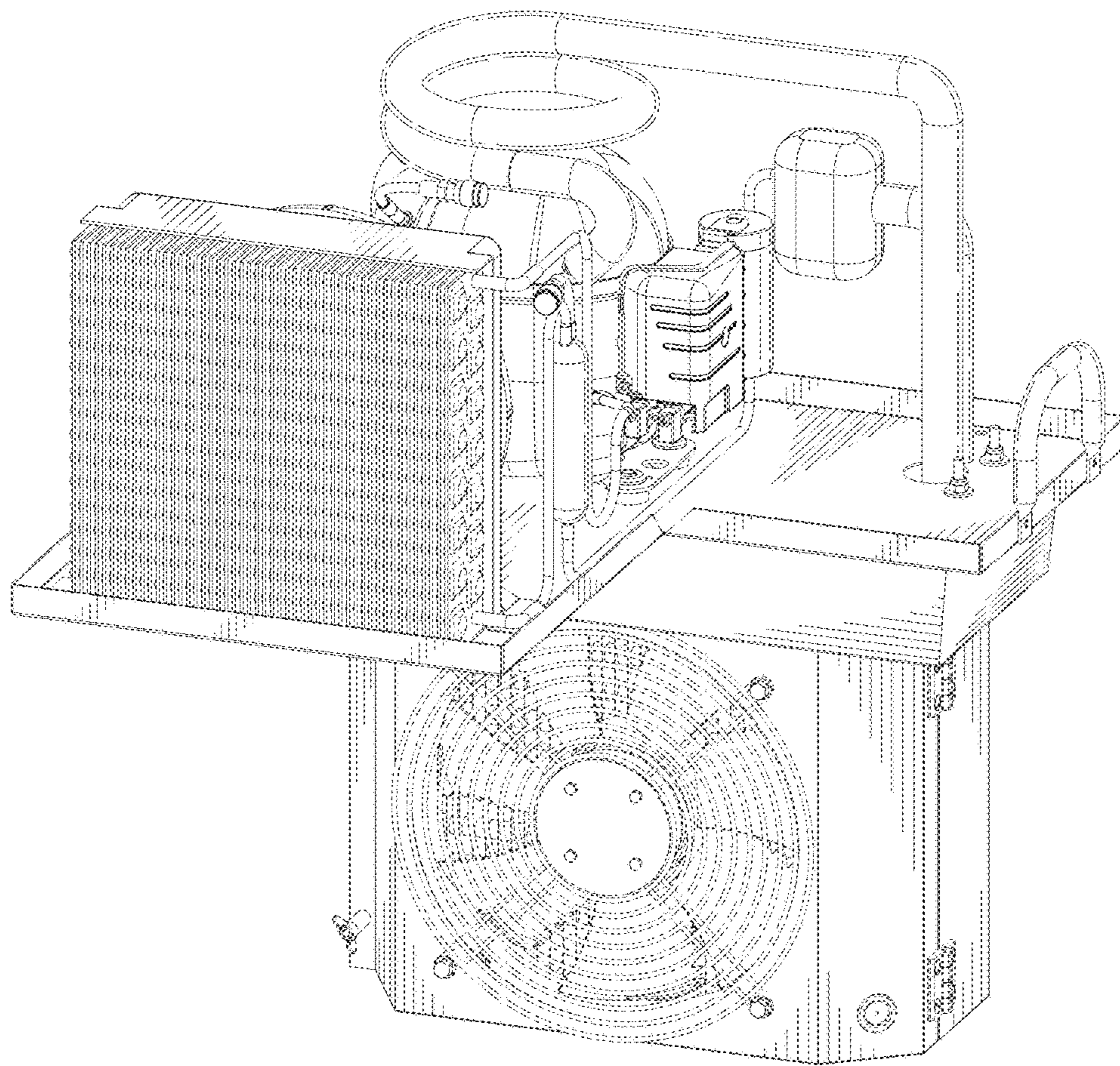


FIG. 1



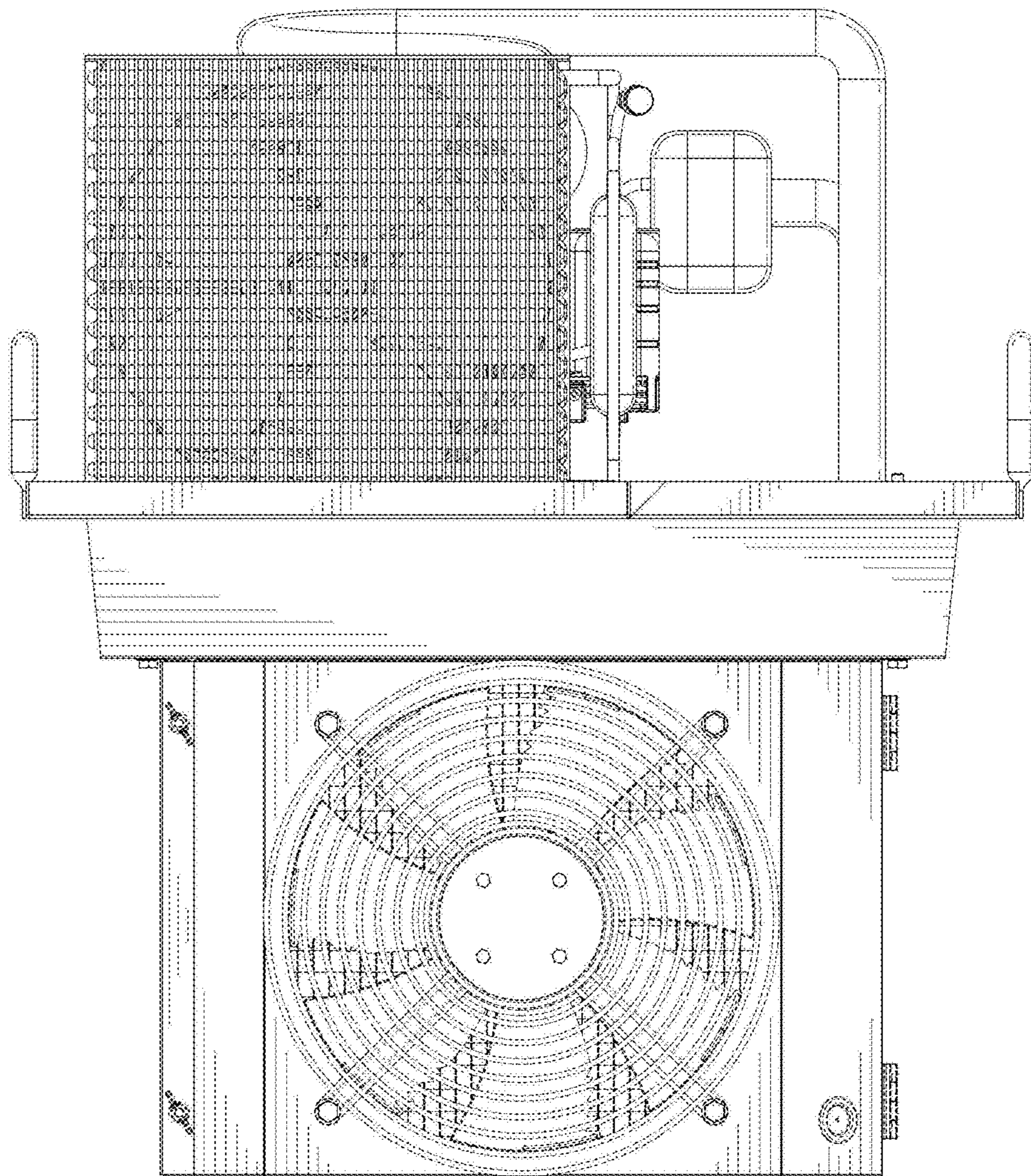


FIG. 2

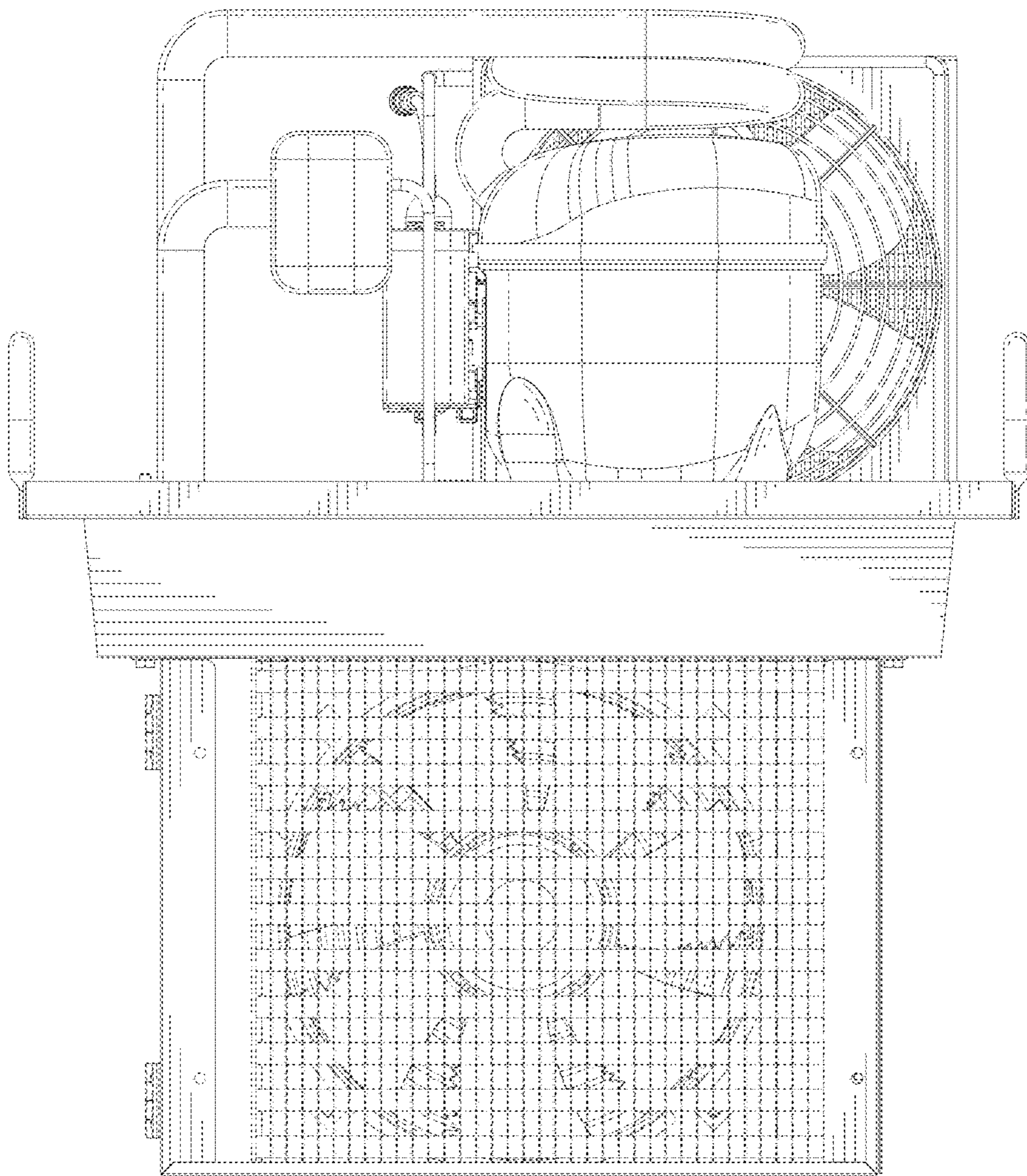


FIG. 3



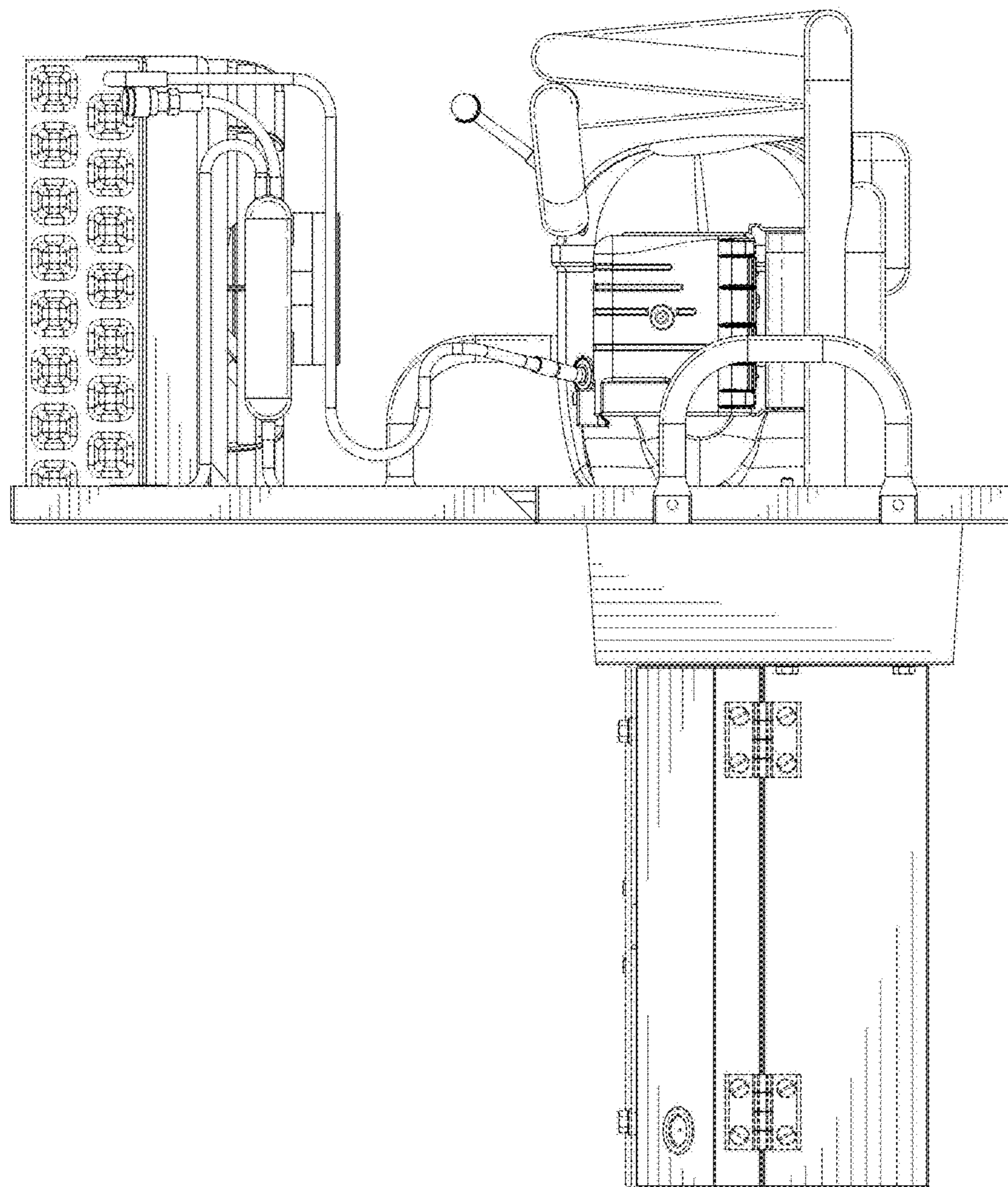


FIG. 4

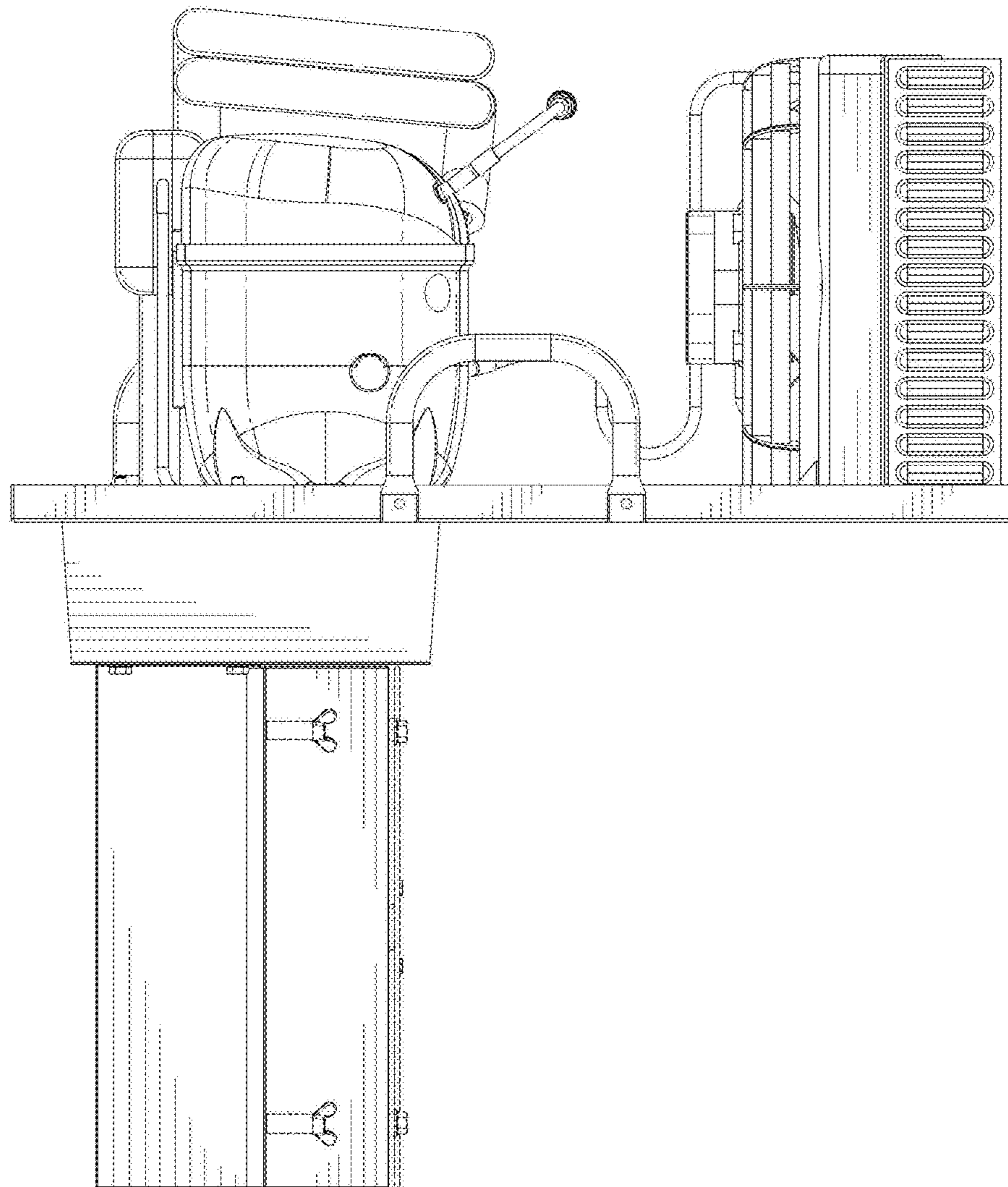


FIG. 5

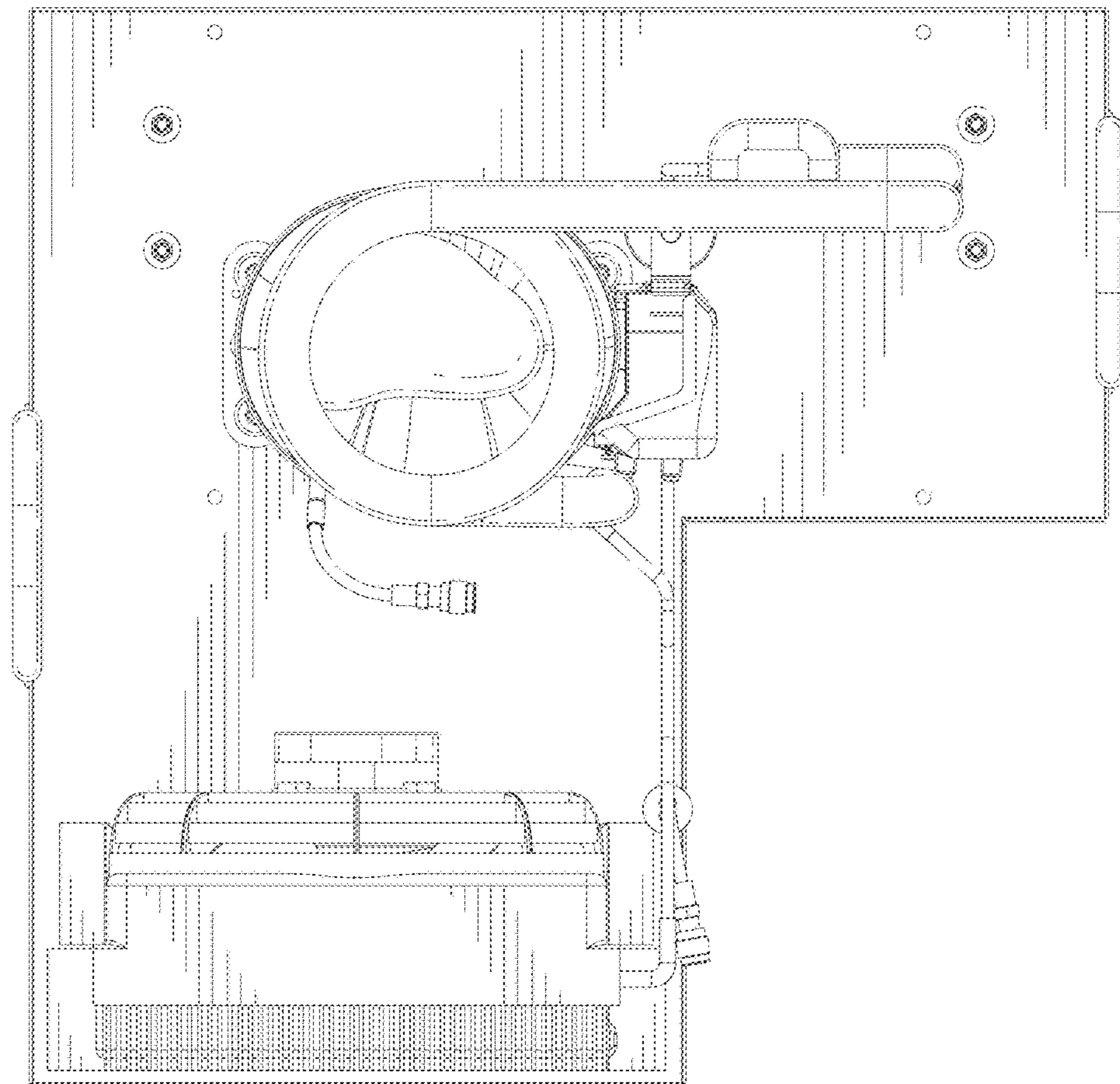


FIG. 6



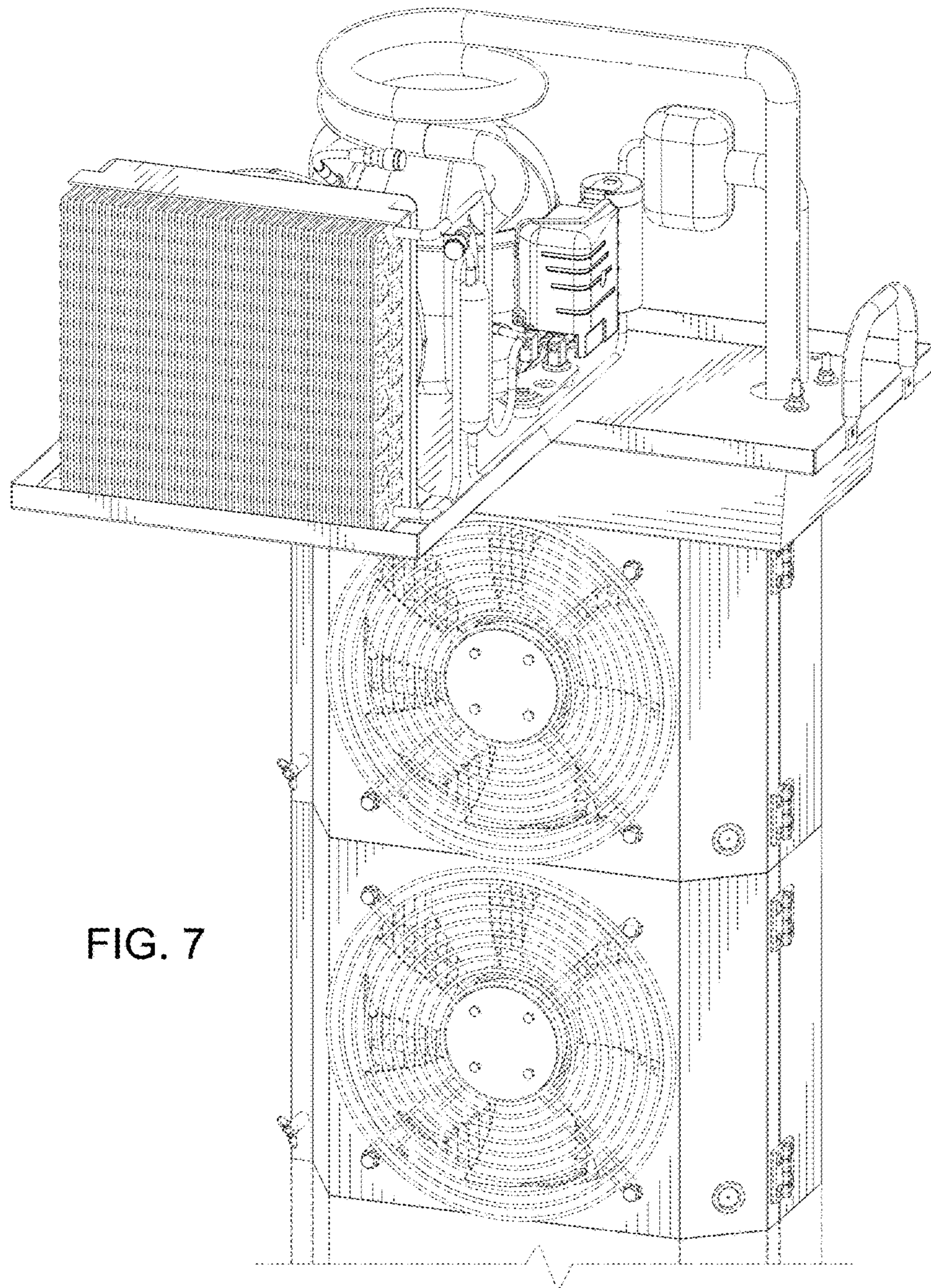


FIG. 7