

US00D847873S

(12) **United States Design Patent** (10) **Patent No.:** **US D847,873 S**
Satwicz et al. (45) **Date of Patent:** **** May 7, 2019**

(54) **STREETSIDE BOX**

(71) Applicant: **Big Belly Solar**, Newton, MA (US)

(72) Inventors: **Jeffrey Satwicz**, Waltham, MA (US);
Joseph Ryan, Wellesley, MA (US)

(73) Assignee: **BIG BELLY SOLAR, INC.**, Newton, MA (US)

(**) Term: **15 Years**

(21) Appl. No.: **29/577,747**

(22) Filed: **Sep. 15, 2016**

(51) **LOC (11) Cl.** **15-07**

(52) **U.S. Cl.**
USPC **D15/79**

(58) **Field of Classification Search**
USPC D15/79-91
CPC F25D 29/00; F25D 11/003; F25D 2700/08;
F25D 11/02; F25D 11/022; F25D 13/06;
F25D 19/006; F25D 2201/14; F25D
2323/00261; F25D 2323/00262; F25D
2323/00272; F25D 2400/361; F25D
2500/06; F25D 2700/02; F25D 2700/12;
F25D 29/005; F25D 29/008; F25D
31/002

See application file for complete search history.

(56) **References Cited**

U.S. PATENT DOCUMENTS

D253,536 S * 11/1979 Shibata D15/88
D653,682 S * 2/2012 Herning D15/80
D668,272 S * 10/2012 Ebelt D15/80
D673,185 S * 12/2012 LaFond D15/80
D762,744 S * 8/2016 Tissi D15/81

* cited by examiner

Primary Examiner — Khawaja Anwar

(57) **CLAIM**

An ornamental design for a streetside box, as shown and described.

DESCRIPTION

FIG. 1 is a perspective view of the new design with an adjacent box in phantom.
FIG. 2 is a front plan view of the streetside box with an adjacent box in phantom.
FIG. 3 is a rear plan view of the streetside box with an adjacent box in phantom.
FIG. 4 is a side plan view of the adjacent box in phantom.
FIG. 5 is a side plan view of the streetside box showing a handle element of an adjacent box in phantom.
FIG. 6 is a top plan view of the streetside box with an adjacent box in phantom; and,
FIG. 7 is a bottom plan view of the streetside box with an adjacent box in phantom.

1 Claim, 7 Drawing Sheets

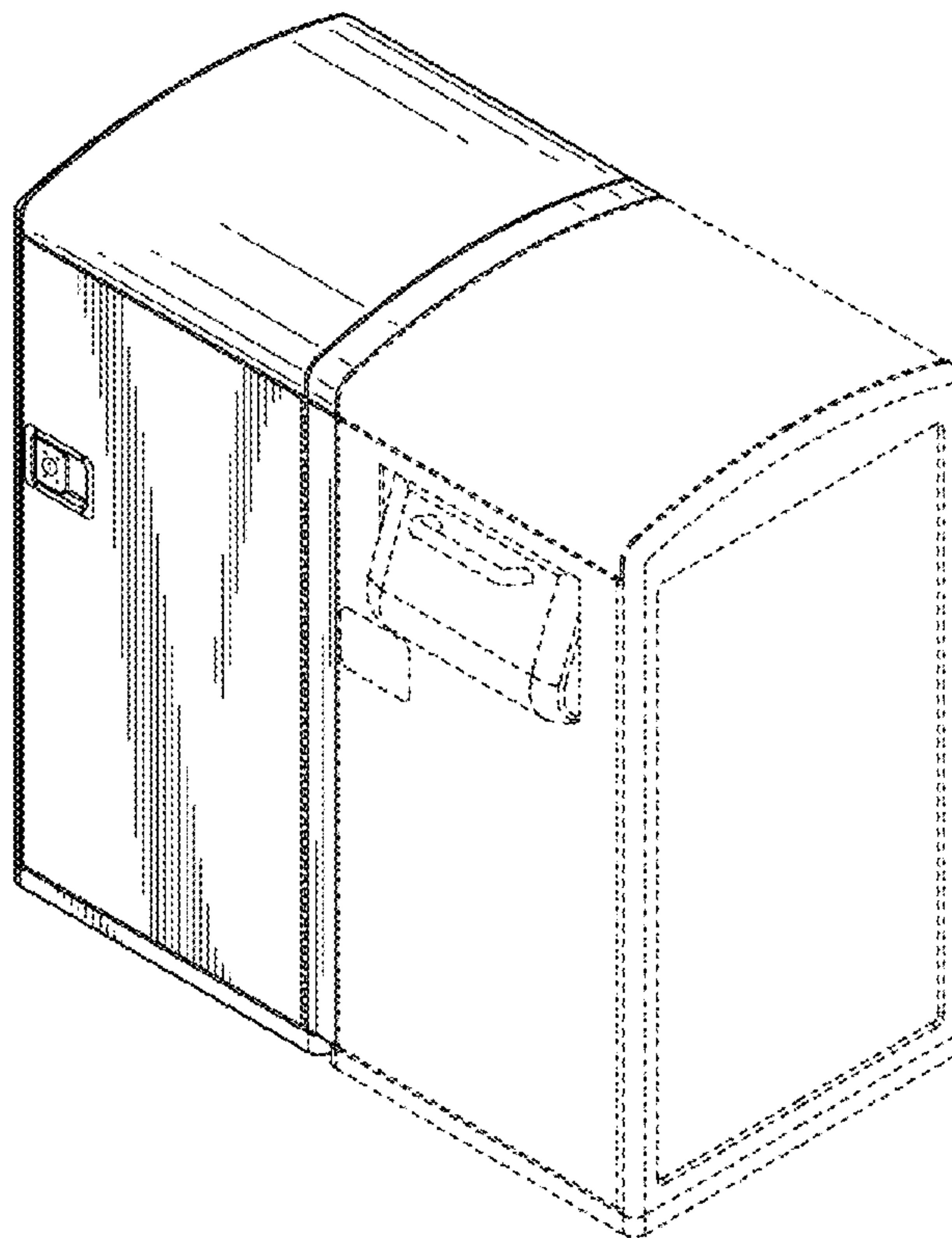


FIG. 1

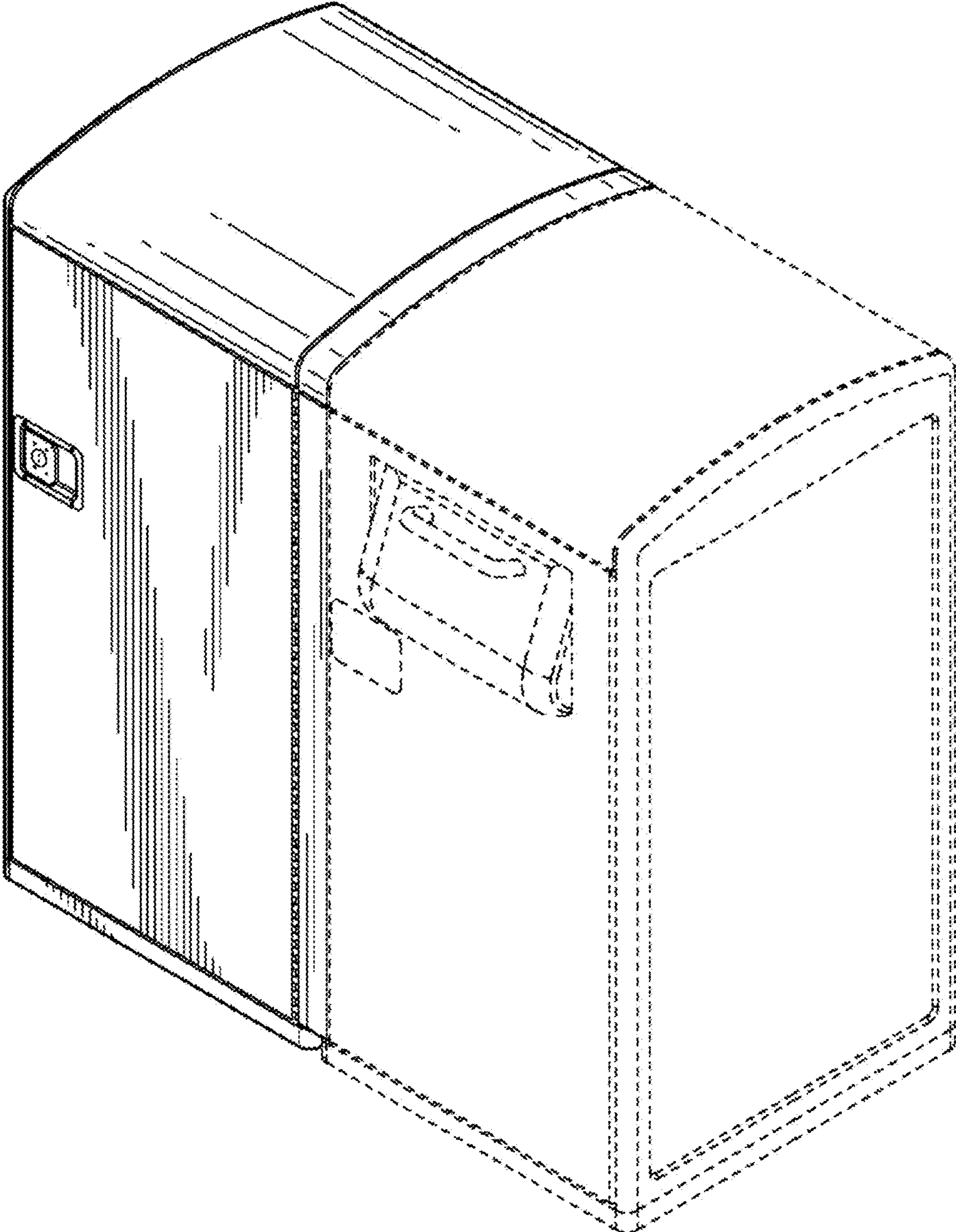


FIG. 2

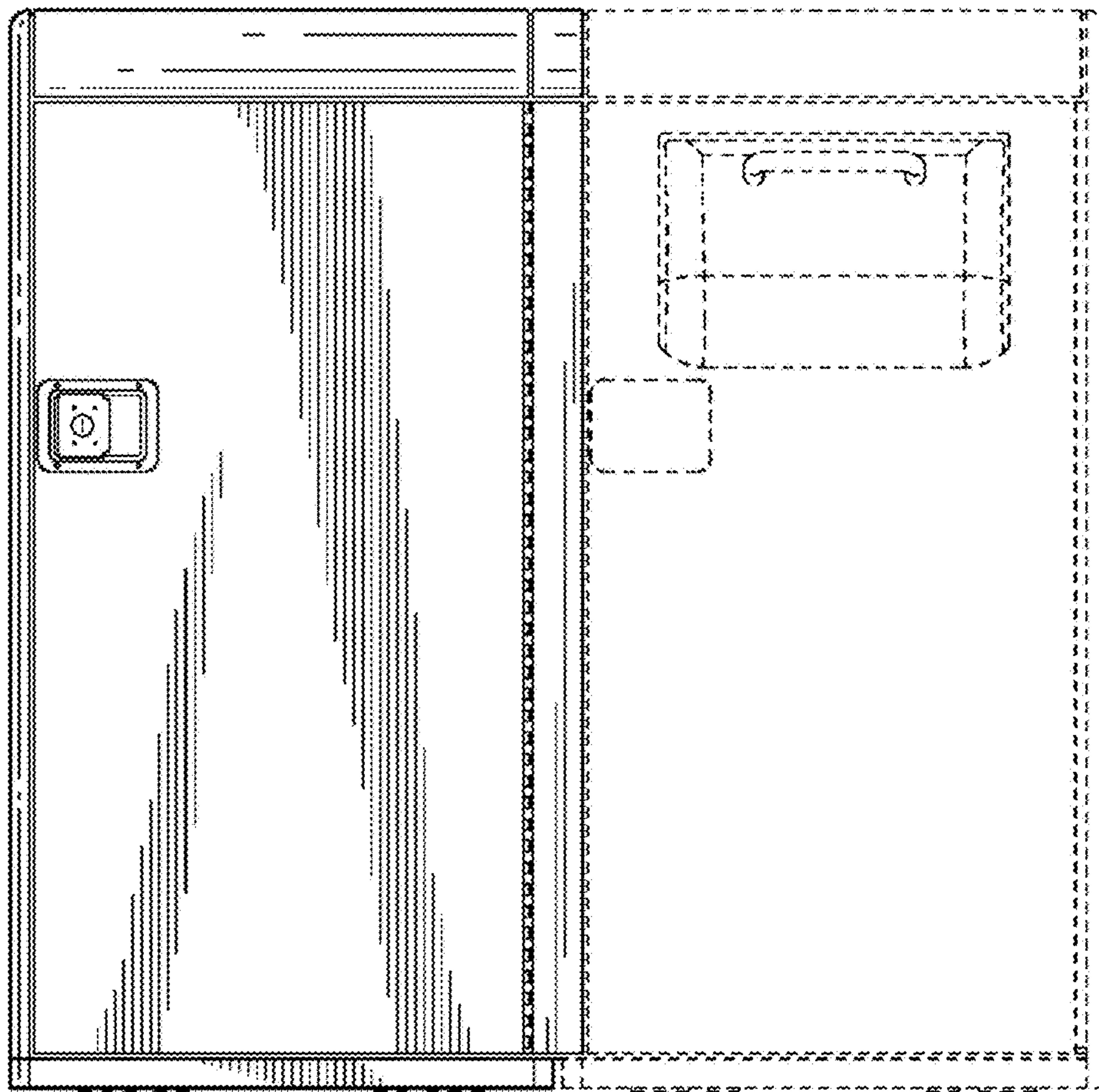


FIG. 3

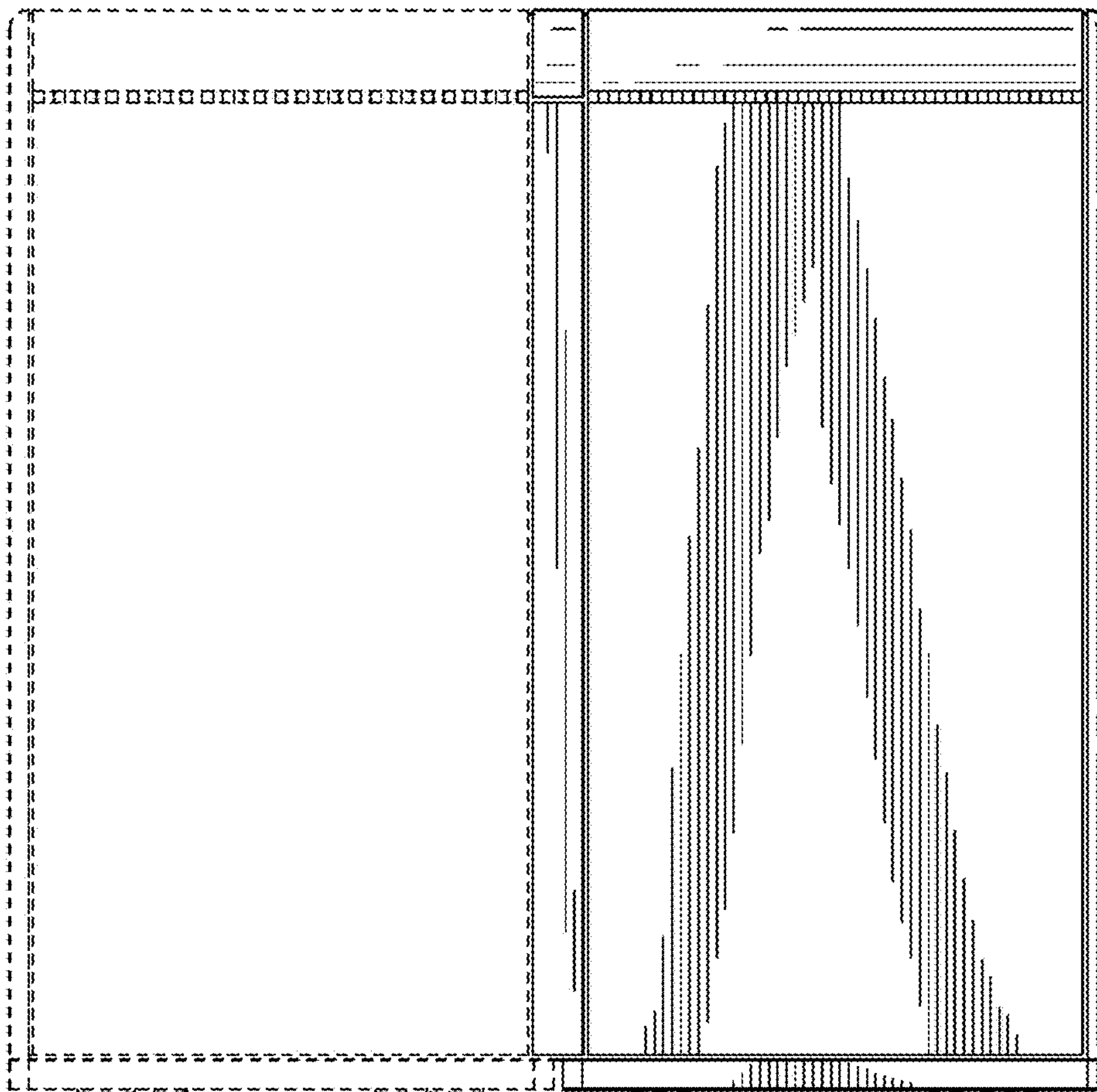


FIG. 4

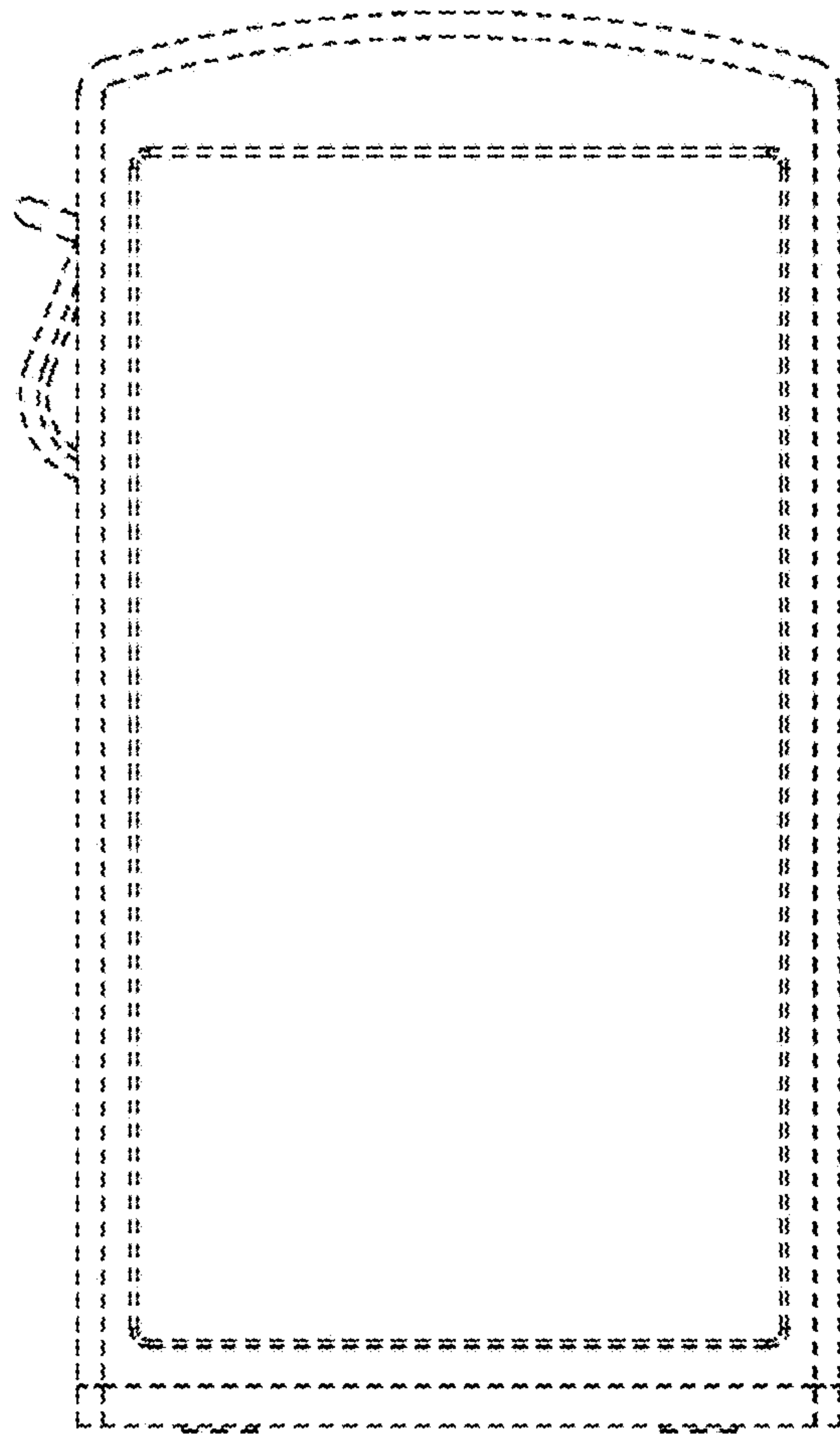


FIG. 5

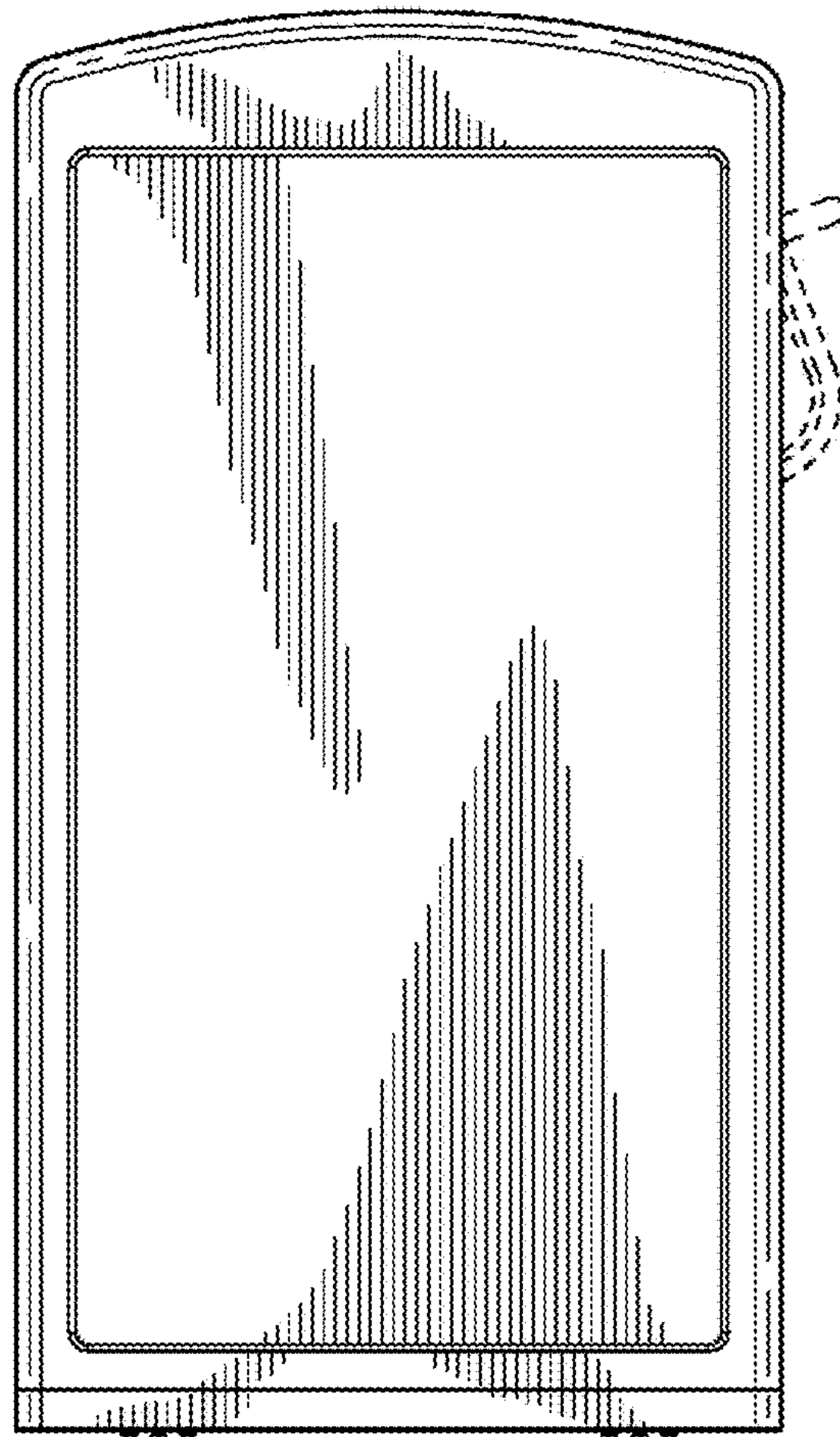


FIG. 6

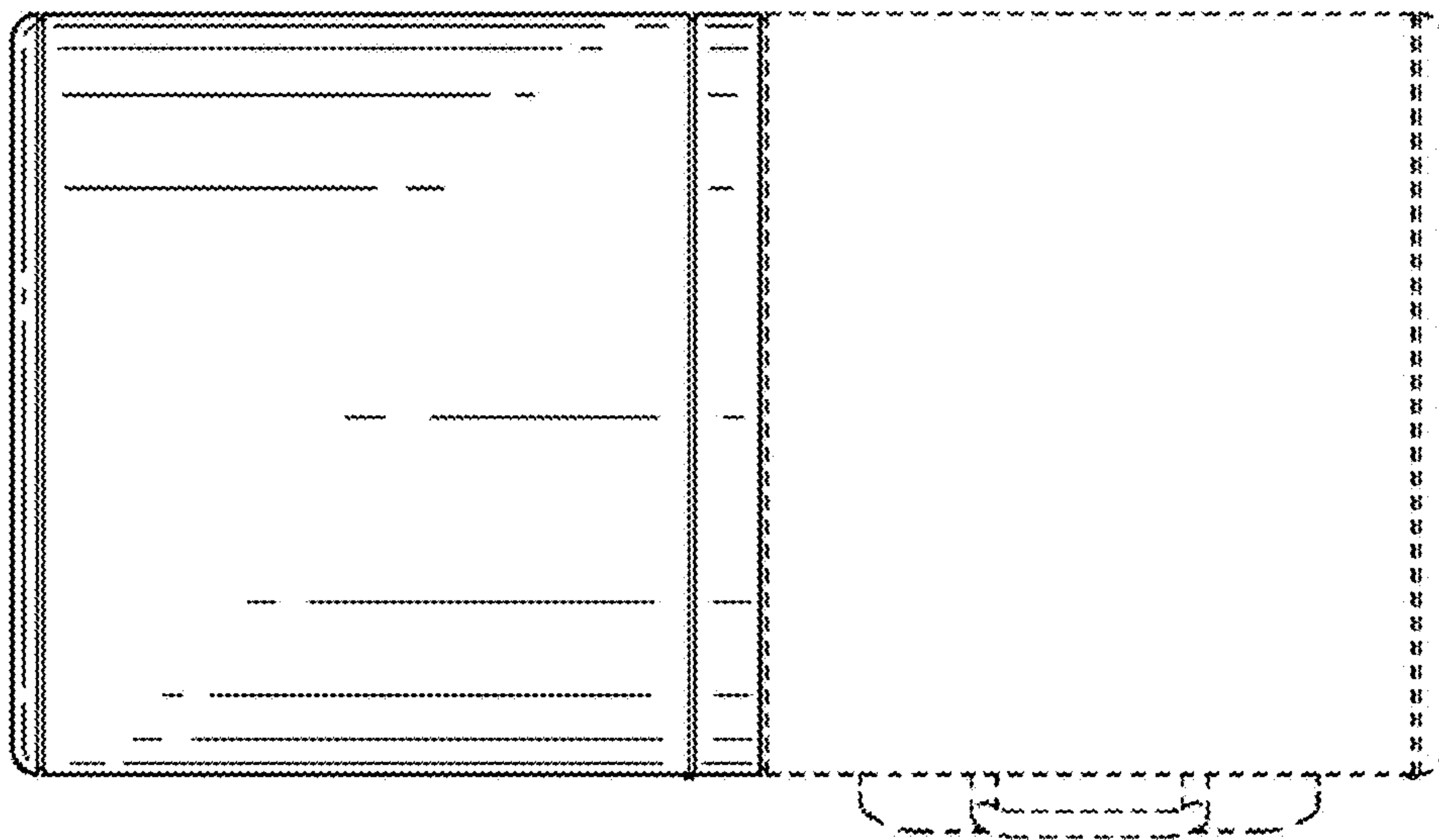


FIG. 7

