



US00D847872S

(12) **United States Design Patent** (10) **Patent No.:** **US D847,872 S**  
**Powers** (45) **Date of Patent:** **\*\* May 7, 2019**

(54) **DRILL ANCHOR AND MUD TRAY**

D686,642 S \* 7/2013 Urase ..... D15/28  
D700,918 S \* 3/2014 Small ..... A01D 87/122

(71) Applicant: **The Charles Machine Works, Inc.,**  
Perry, OK (US)

D749,648 S \* 2/2016 Jones, Sr. .... D15/28  
D788,184 S \* 5/2017 Okuyama ..... D15/32

(72) Inventor: **Lelan Mack Powers,** Stillwater, OK  
(US)

**FOREIGN PATENT DOCUMENTS**

(73) Assignee: **The Charles Machine Works, Inc.,**  
Perry, OK (US)

WO 2016049335 A1 3/2016

(\*\*) Term: **15 Years**

\* cited by examiner

(21) Appl. No.: **29/595,841**

*Primary Examiner* — Khawaja Anwar

(22) Filed: **Mar. 2, 2017**

(74) *Attorney, Agent, or Firm* — Tomlinson McKinstry,  
P.C.

(51) **LOC (11) Cl.** ..... **15-03**

(57) **CLAIM**

I claim the ornamental design for a drill anchor and mud tray, as shown and described herein.

(52) **U.S. Cl.**

**DESCRIPTION**

USPC ..... **D15/32**

(58) **Field of Classification Search**

USPC ..... D15/10, 22–26, 28, 29, 32  
CPC ..... C08L 21/00; C08L 2205/16; C08L 23/16;  
C08L 2312/00; C08L 2205/03; C08L  
2205/035; C08L 77/00; C08L 77/10;  
C08L 7/00; C08L 9/00; C08L 9/06

See application file for complete search history.

FIG. 1 is a front view of a drill anchor and mud tray showing our new design.

FIG. 2 is a rear view of the drill anchor and mud tray shown in FIG. 1.

FIG. 3 is a right side view of the drill anchor and mud tray shown in FIG. 1.

FIG. 4 is a left side view of the drill anchor and mud tray shown in FIG. 1.

FIG. 5 is a top view of the drill anchor and mud tray shown in FIG. 1.

FIG. 6 is a top right side perspective view of the drill anchor and mud tray shown in FIG. 1; and,

FIG. 7 is a top left side perspective view of the drill anchor and mud tray shown in FIG. 1.

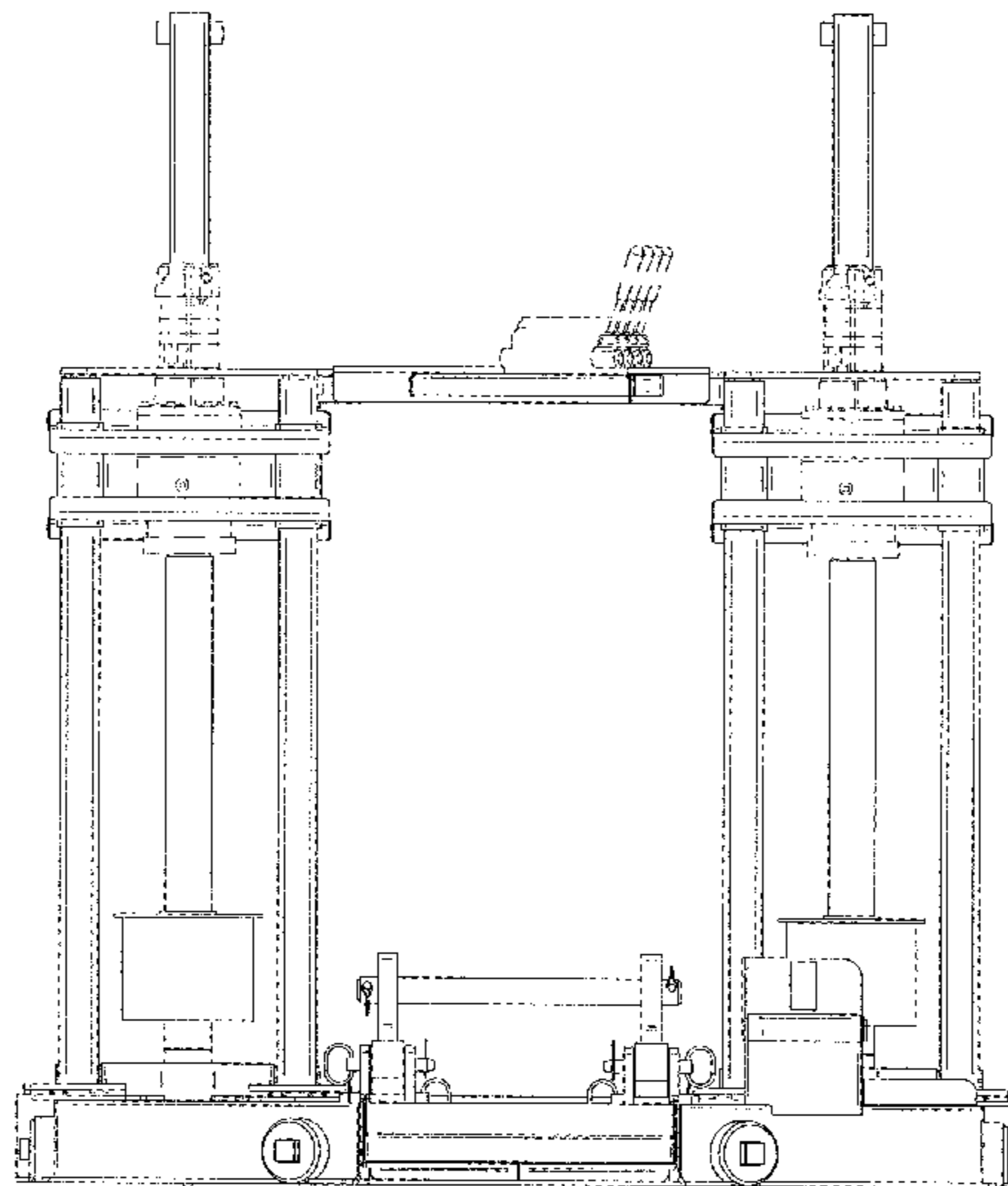
The broken line showing of elements is included for the purpose of illustrating portions of the drill anchor and mud tray and forms no part of the claimed design.

(56) **References Cited**

**U.S. PATENT DOCUMENTS**

D246,845 S \* 1/1978 Sheesley ..... D15/32  
D292,136 S \* 9/1987 Burenga ..... D15/32  
4,911,596 A \* 3/1990 Fetter ..... A01D 87/127  
280/481  
D370,684 S \* 6/1996 Johnson ..... D15/32  
D379,997 S \* 6/1997 Bailey ..... D15/32  
D466,135 S \* 11/2002 Spomer ..... D15/33  
D528,569 S \* 9/2006 Nilsson ..... D15/32  
D672,372 S \* 12/2012 Nilsson ..... D15/28

**1 Claim, 7 Drawing Sheets**



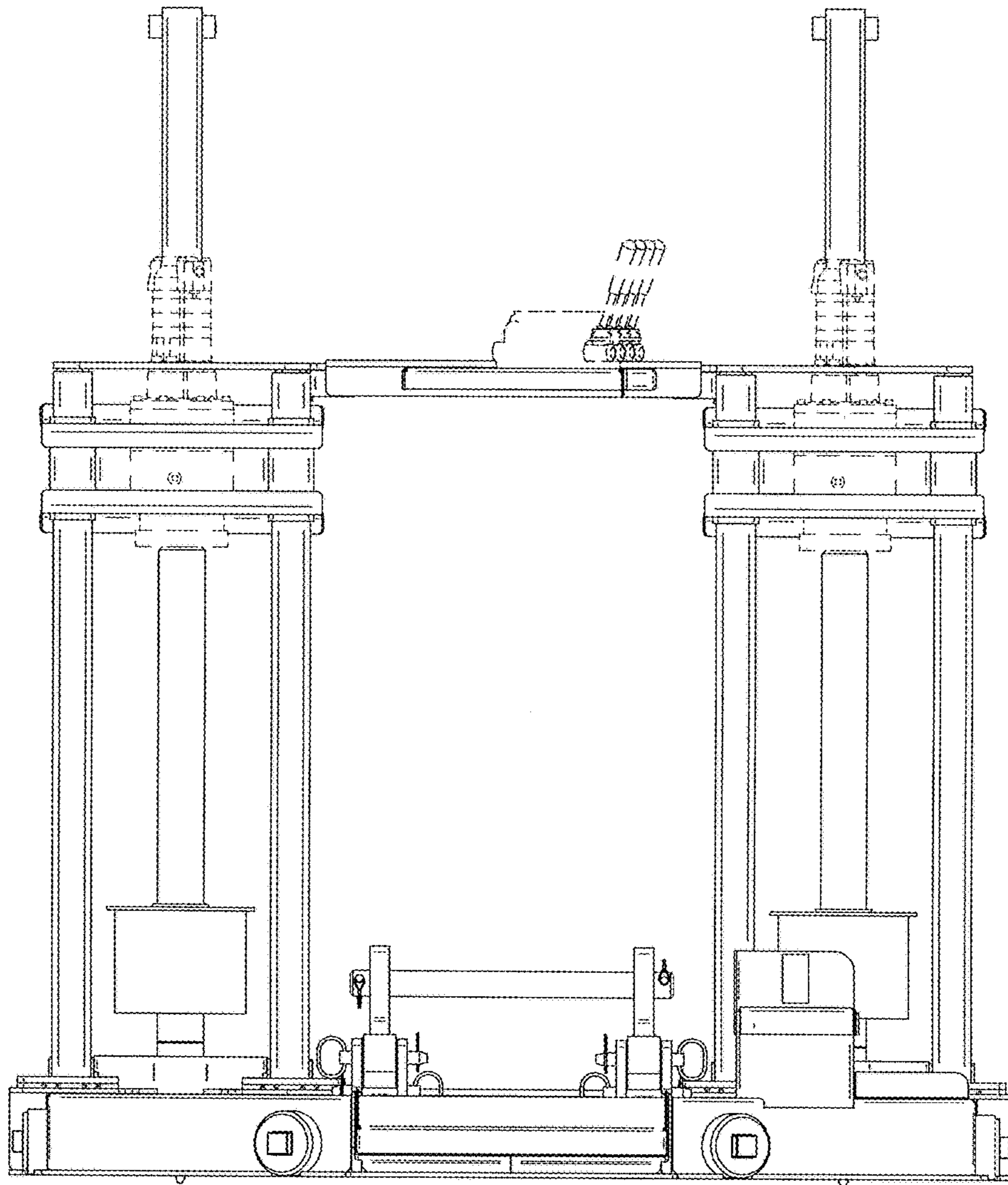


FIG. 1

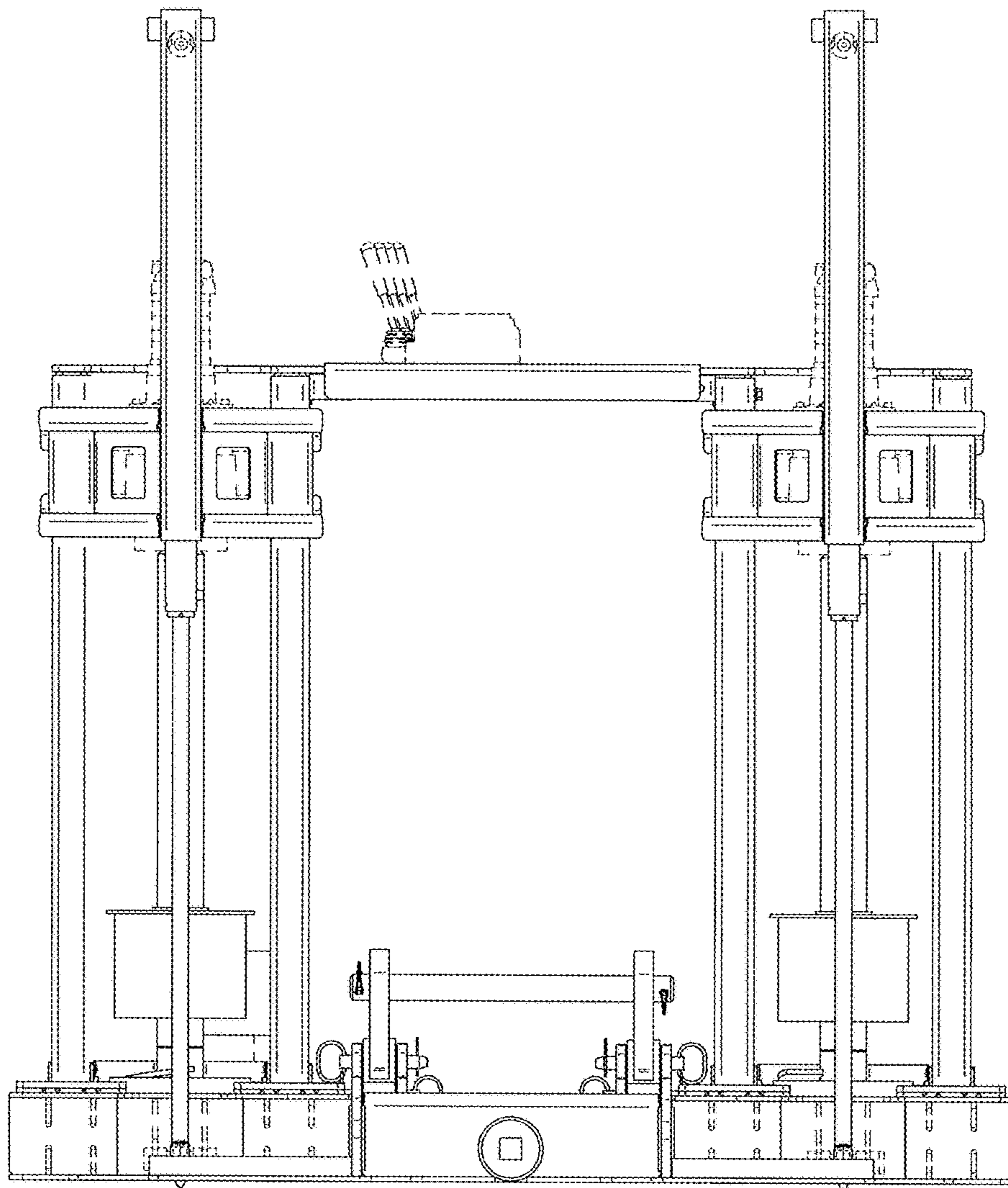


FIG. 2

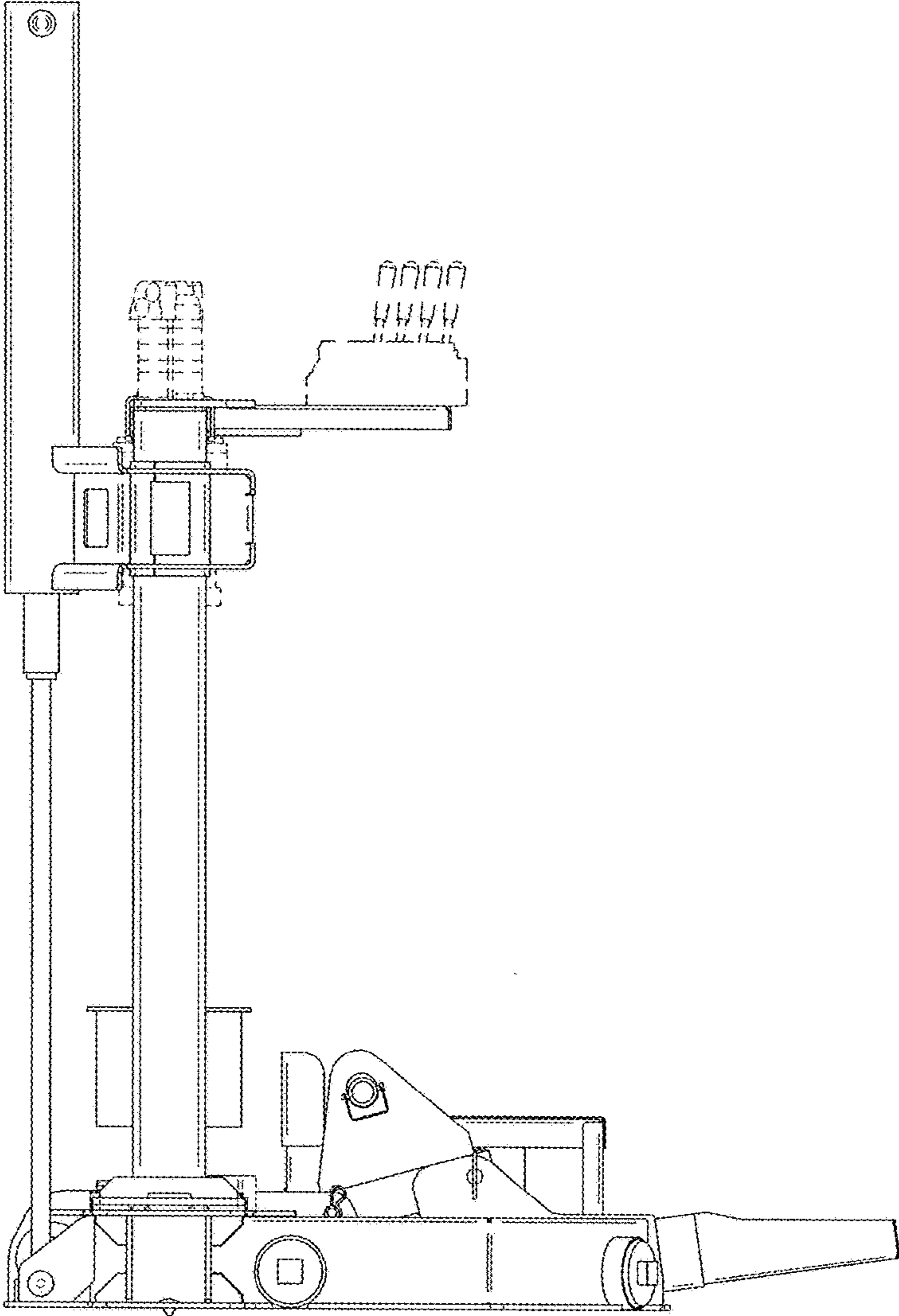


FIG. 3



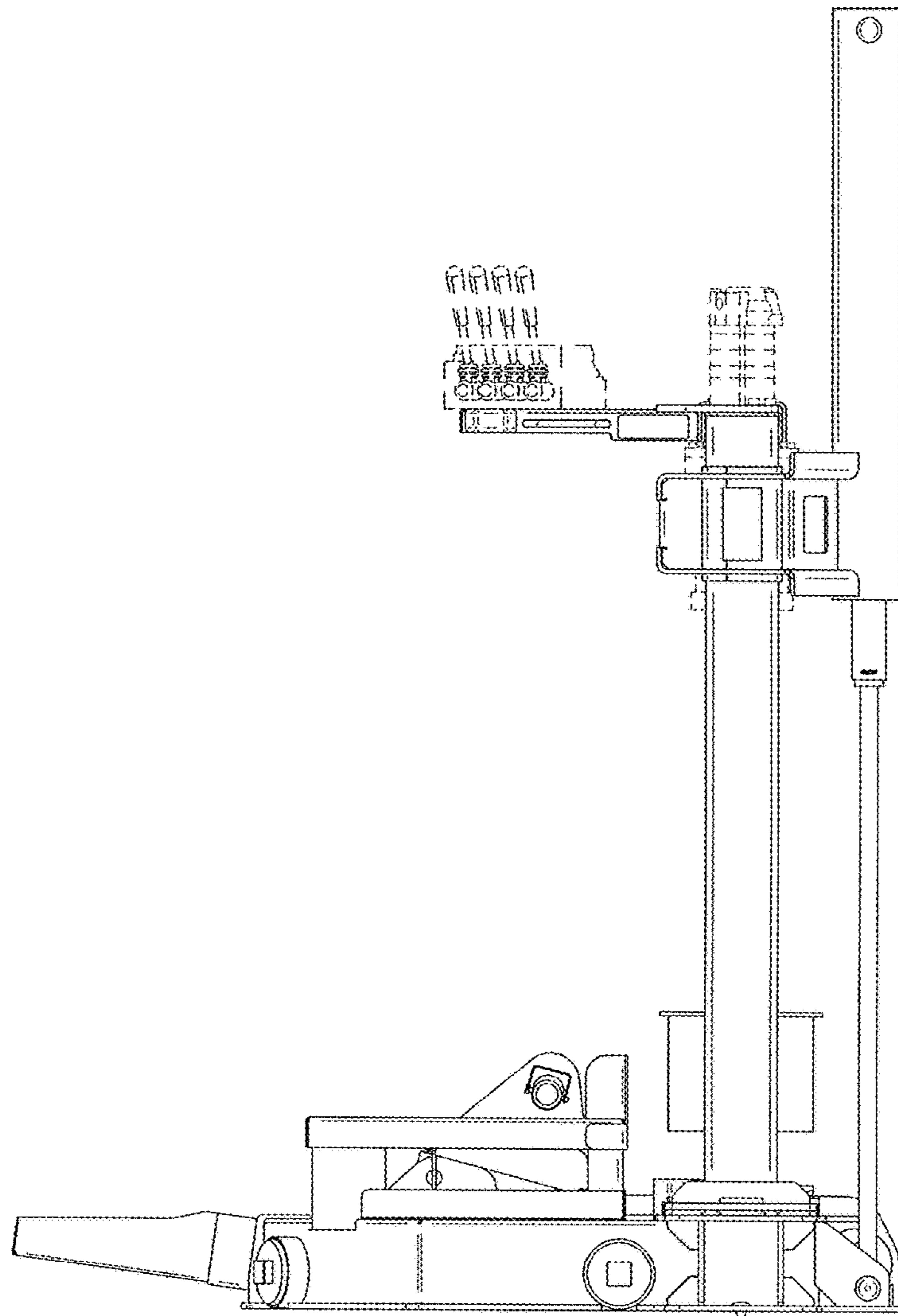


FIG. 4

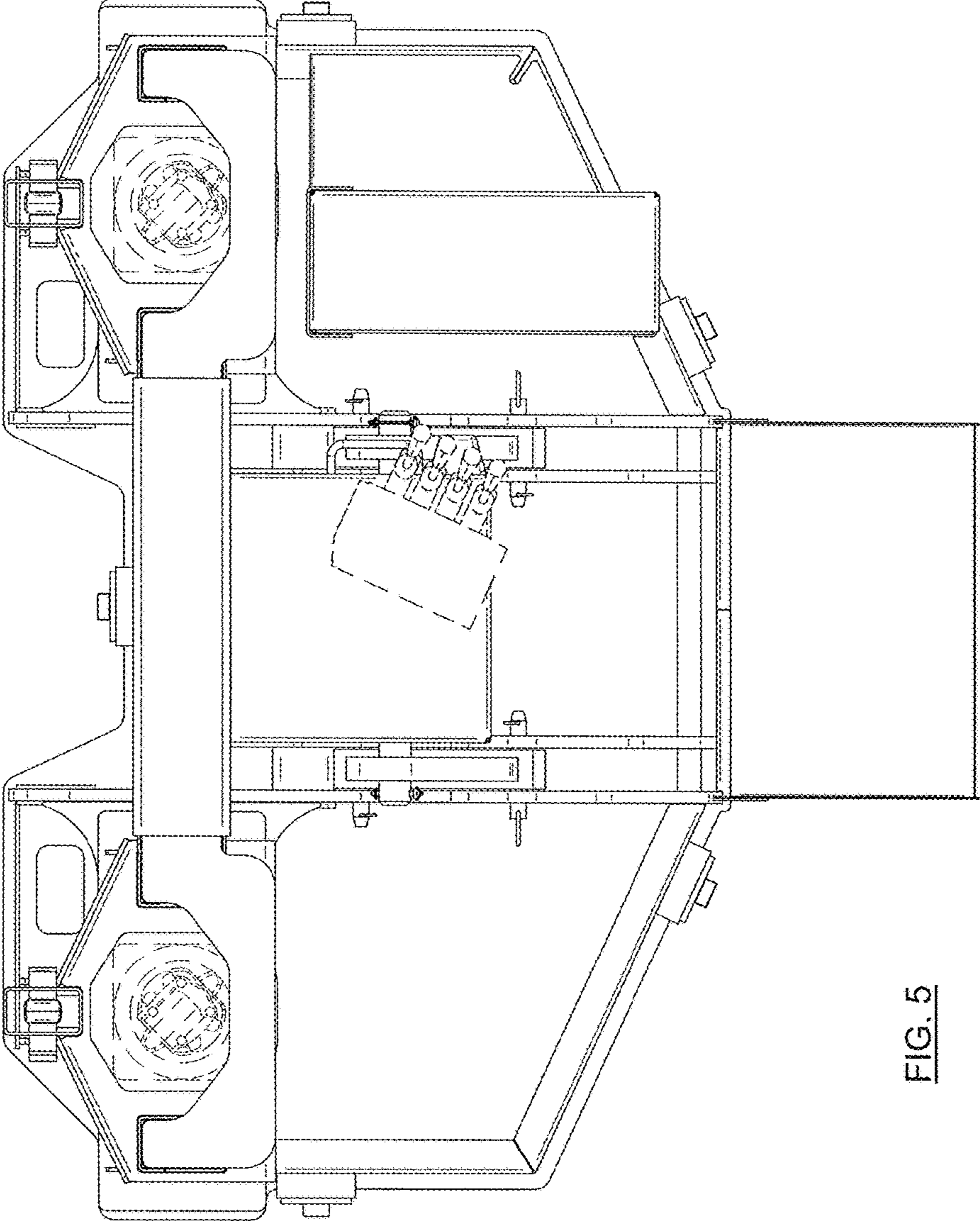


FIG. 5

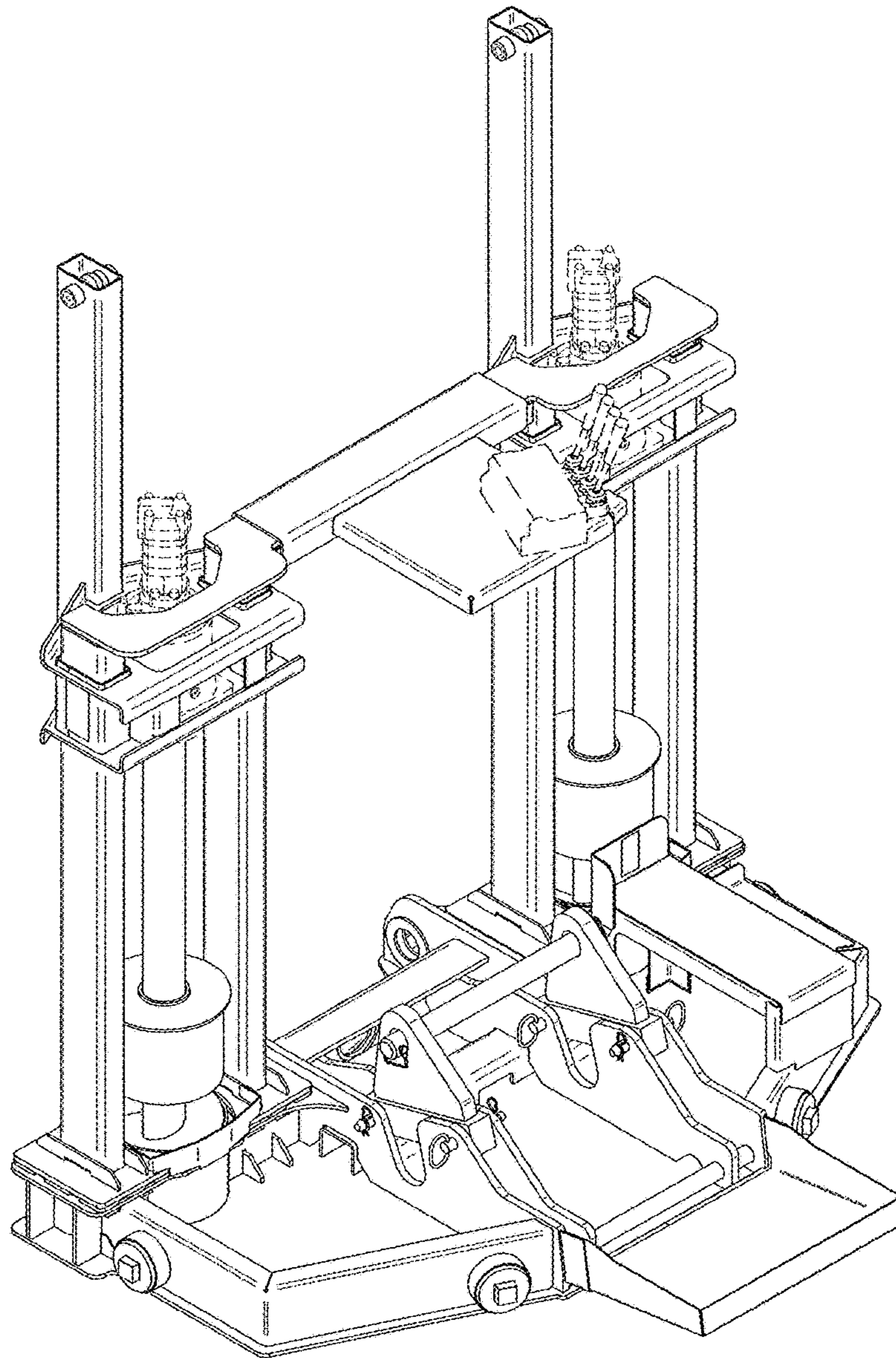


FIG. 6



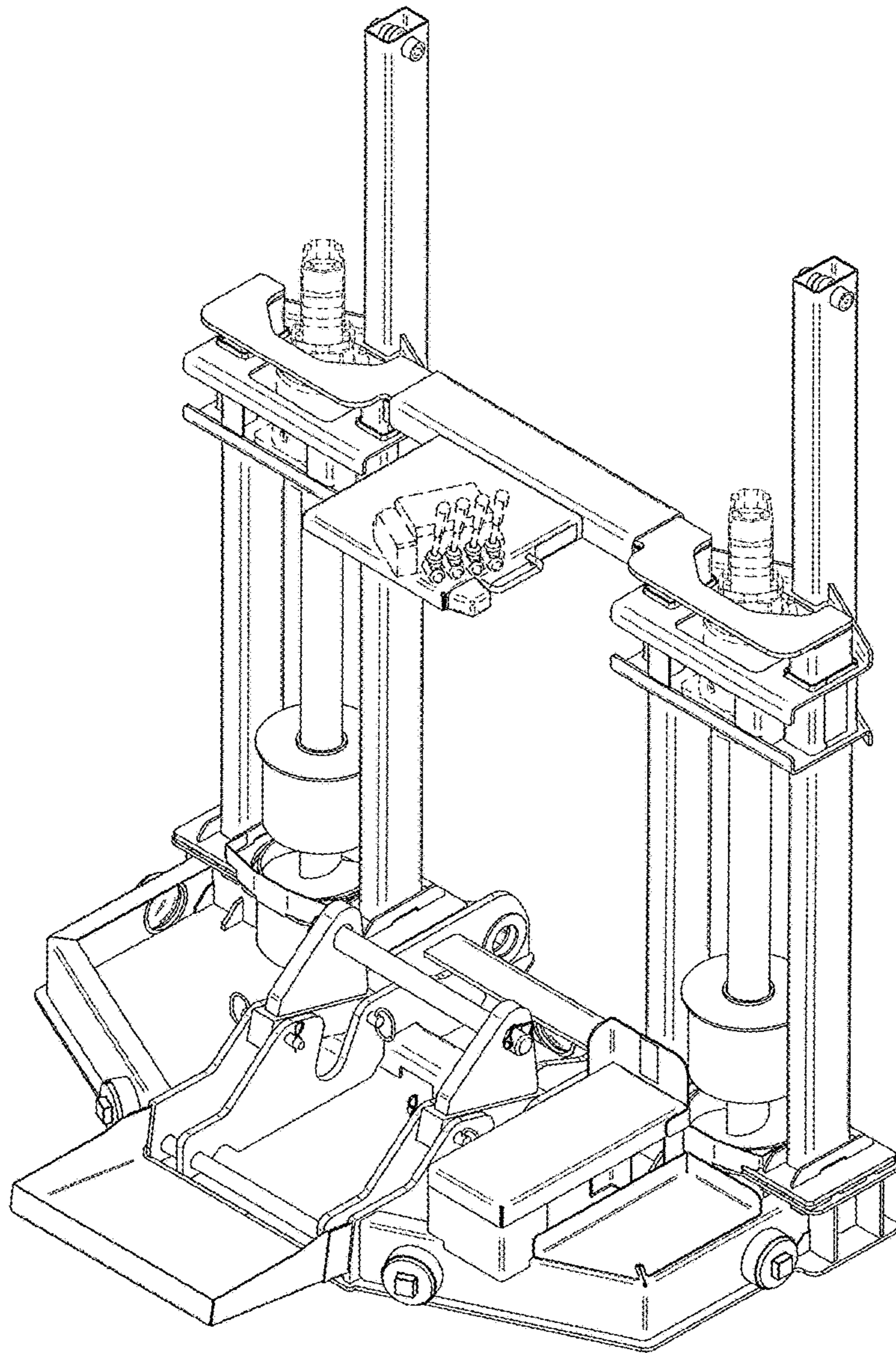


FIG. 7