



US00D847870S

(12) **United States Design Patent** (10) **Patent No.:** **US D847,870 S**  
**Sachtleben et al.** (45) **Date of Patent:** **\*\* May 7, 2019**

(54) **AGRICULTURAL MACHINE HEADLINER BEZEL**  
(71) Applicant: **CNH Industrial America LLC**, New Holland, PA (US)  
(72) Inventors: **David C. Sachtleben**, Lititz, PA (US); **David M. Wilkie**, Turin (IT); **Dwayne St. George Jackson**, Lake Orion, MI (US)  
(73) Assignee: **CNH Industrial America LLC**, New Holland, PA (US)  
(\*\*) Term: **15 Years**

D420,685 S \* 2/2000 Muranen ..... D15/30  
D427,207 S \* 6/2000 Altmann ..... D15/28  
D427,208 S \* 6/2000 Altmann ..... D15/28  
D432,963 S \* 10/2000 Meinhardt ..... D12/192  
D444,750 S \* 7/2001 Meinhardt ..... D12/192  
D532,427 S \* 11/2006 Kim ..... D15/28  
D600,191 S \* 9/2009 Wilhelm ..... D12/415  
D685,006 S \* 6/2013 Hagura ..... D15/17  
D689,529 S \* 9/2013 Hagura ..... D15/28  
D774,558 S \* 12/2016 Sasaki ..... D15/17

\* cited by examiner

*Primary Examiner* — Mark A Goodwin  
(74) *Attorney, Agent, or Firm* — Rickard K. DeMille; Rebecca L. Henkel

(21) Appl. No.: **29/636,130**  
(22) Filed: **Feb. 6, 2018**  
(51) **LOC (11) Cl.** ..... **15-03**  
(52) **U.S. Cl.**  
USPC ..... **D15/28; D15/17**  
(58) **Field of Classification Search**  
USPC ..... D15/17, 28, 14, 15, 22-26, 31, 33;  
D12/192; 180/69.24, 69.2, 69.21, 90,  
180/89.12, 900; 296/70, 30, 72, 191,  
296/192, 193.03  
CPC ..... B62D 49/00; B60K 37/00; B60K 37/02;  
B60K 37/04; B60K 2350/928; B60Y  
2200/22  
See application file for complete search history.

(57) **CLAIM**

The ornamental design for an agricultural machine headliner bezel, as shown and described.

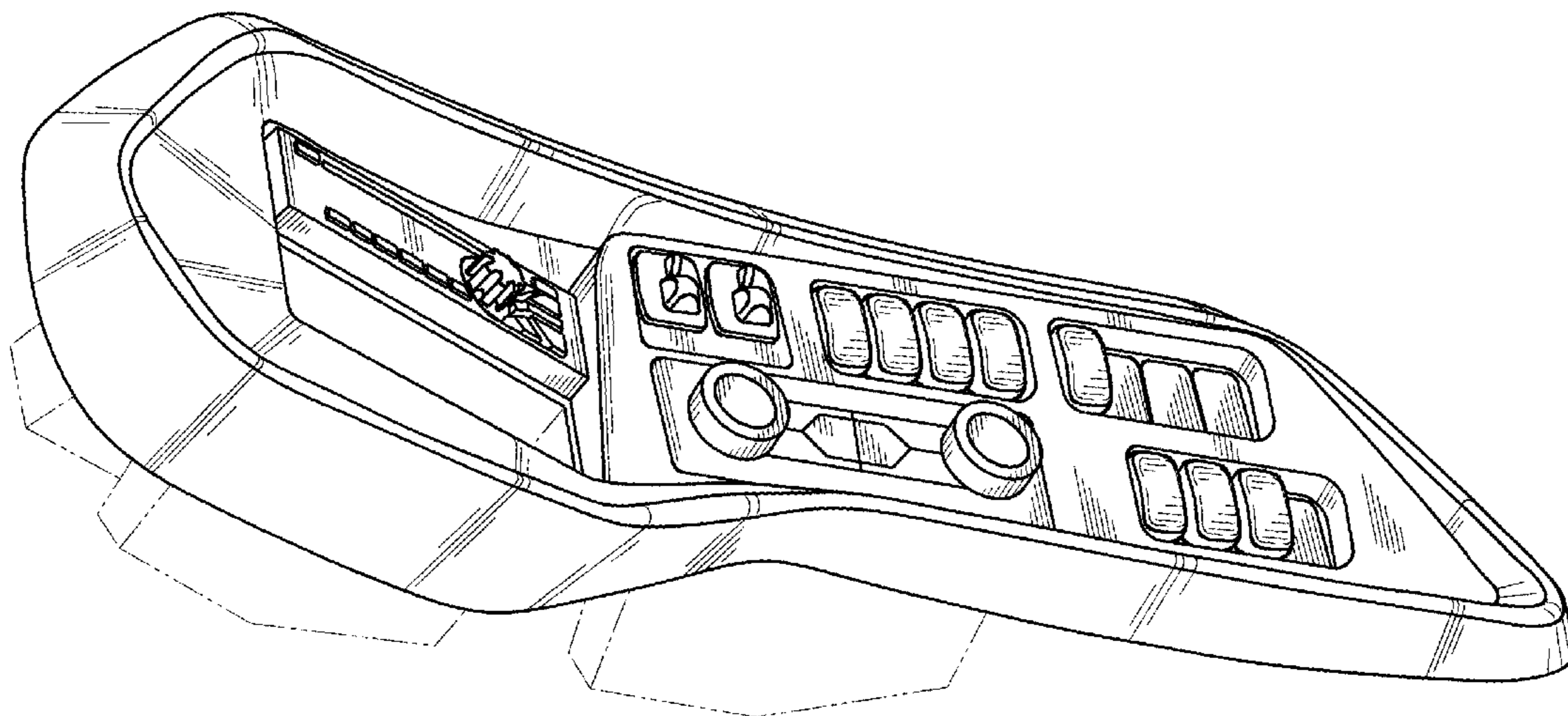
**DESCRIPTION**

FIG. 1 is a front view of an agricultural machine headliner bezel of the present design;  
FIG. 2 is a side perspective view thereof;  
FIG. 3 is an opposite side perspective view thereof;  
FIG. 4 is a top view thereof;  
FIG. 5 is a bottom view thereof;  
FIG. 6 is a side view thereof; and,  
FIG. 7 is an opposite side view thereof.  
The dashed lines shown in the figures represent subject matter of the agricultural machine headliner bezel that form no part of the claimed design.

(56) **References Cited**  
U.S. PATENT DOCUMENTS

D374,535 S \* 10/1996 Feider ..... D13/168  
D376,244 S \* 12/1996 Feider ..... D12/192

**1 Claim, 6 Drawing Sheets**



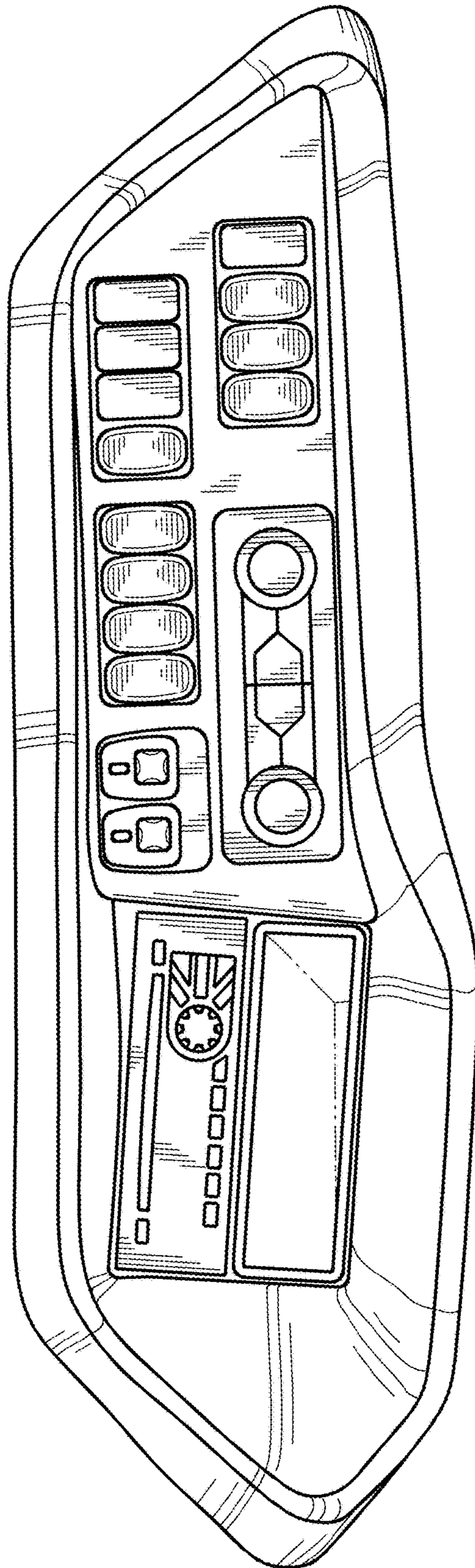


Fig. 1

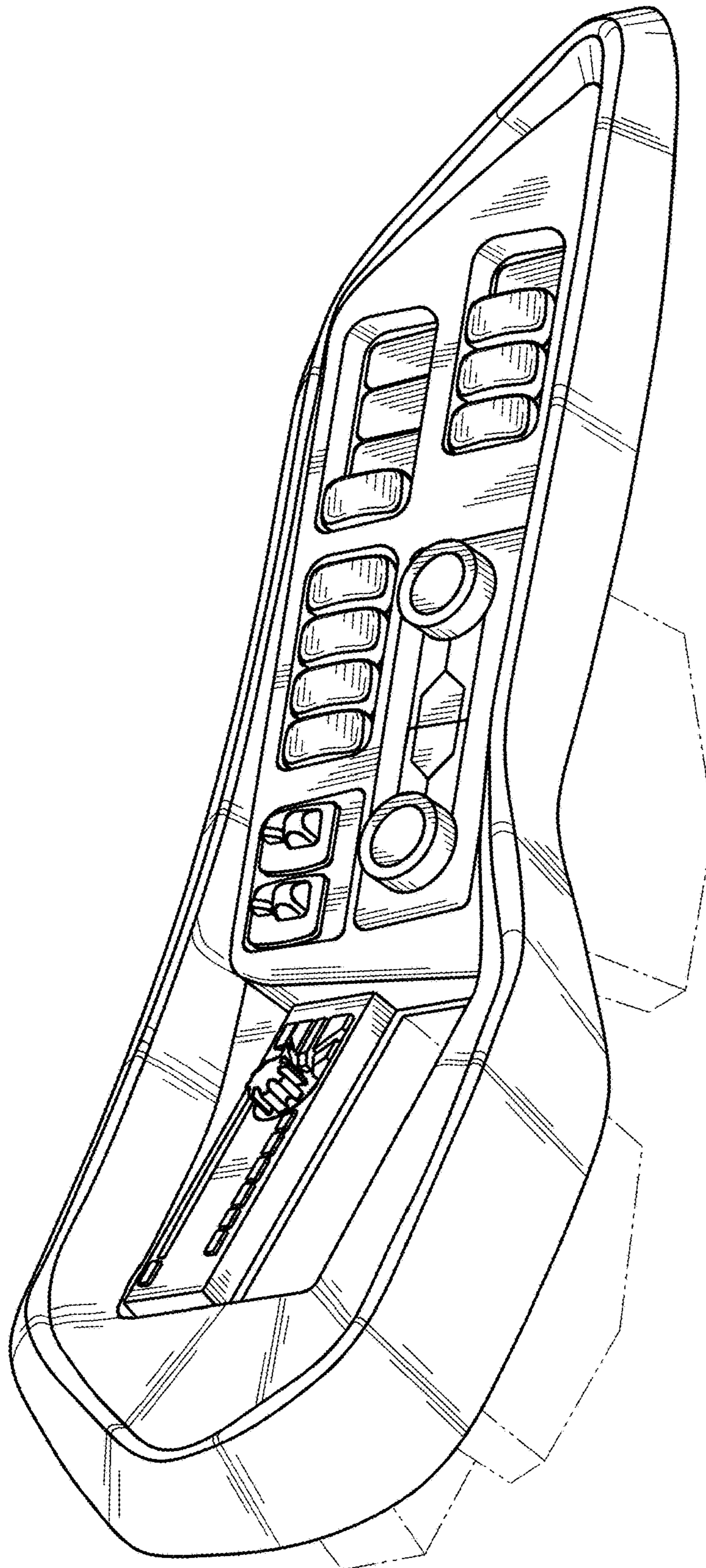


FIG. 2

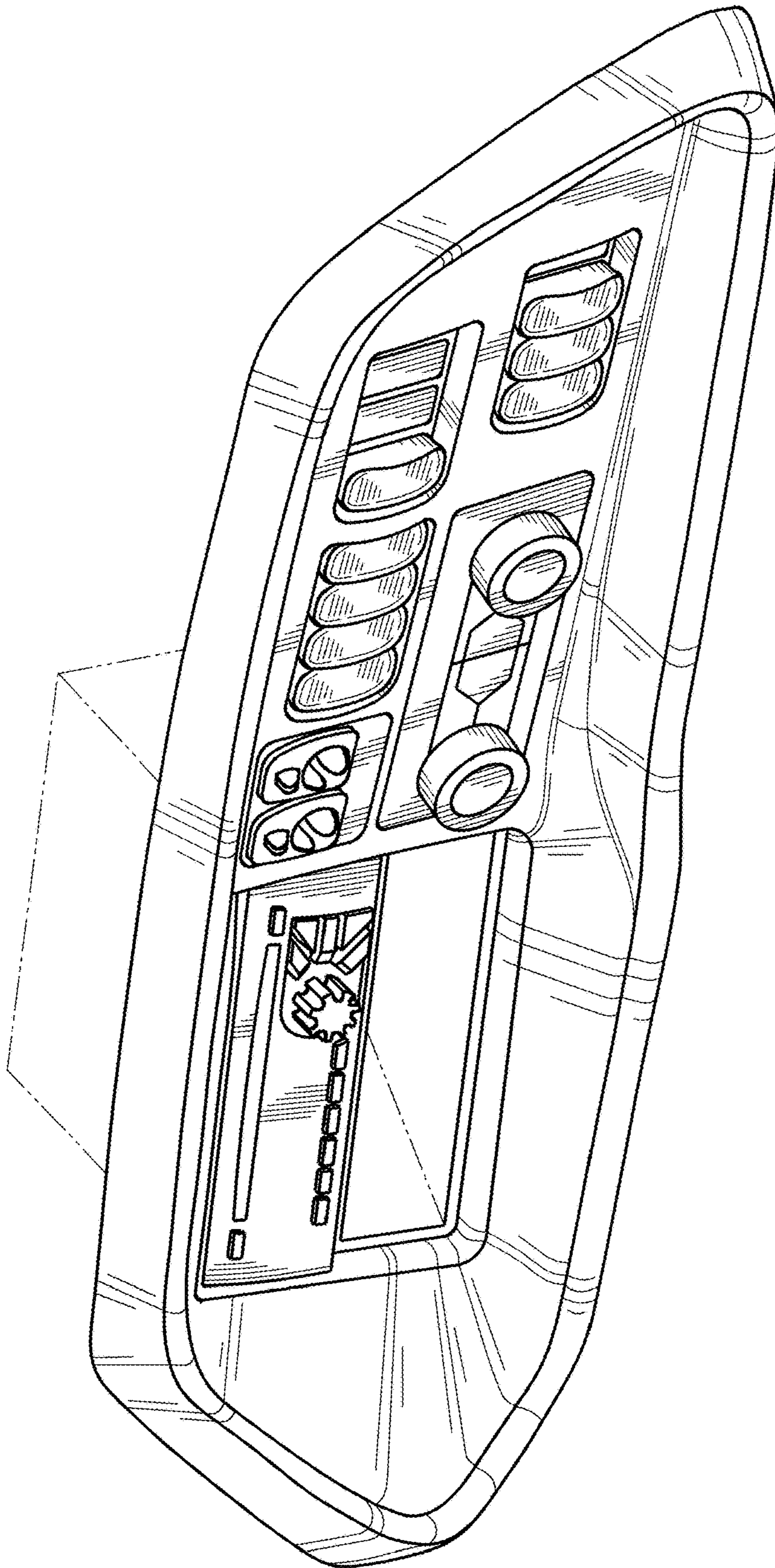


Fig. 3

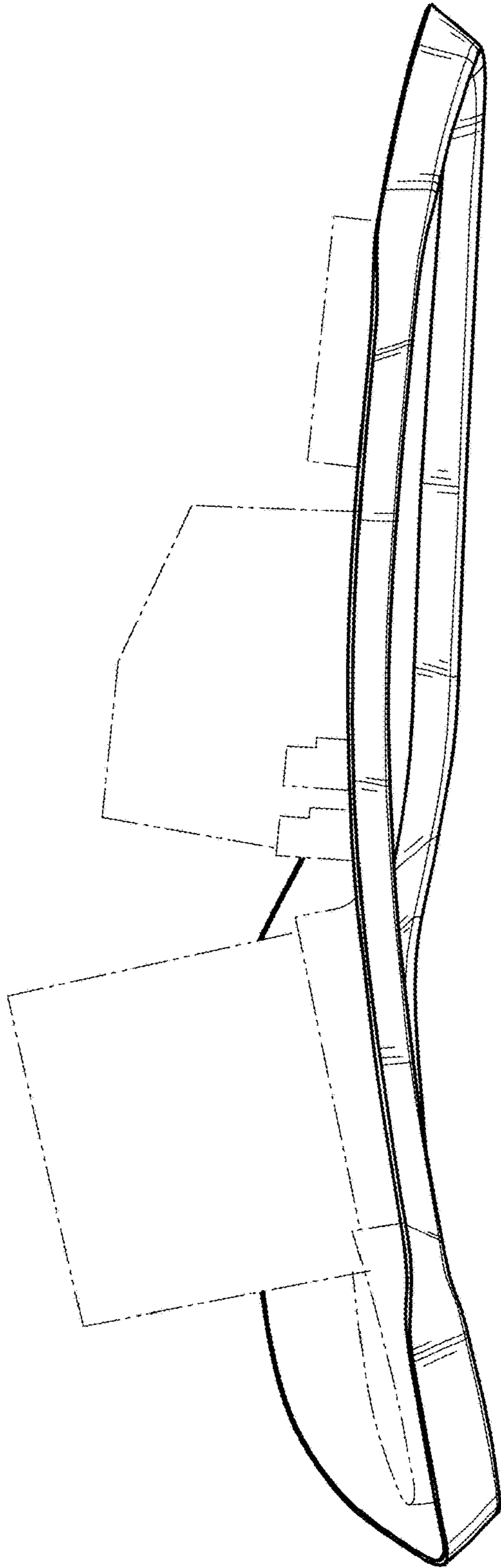


Fig. 4

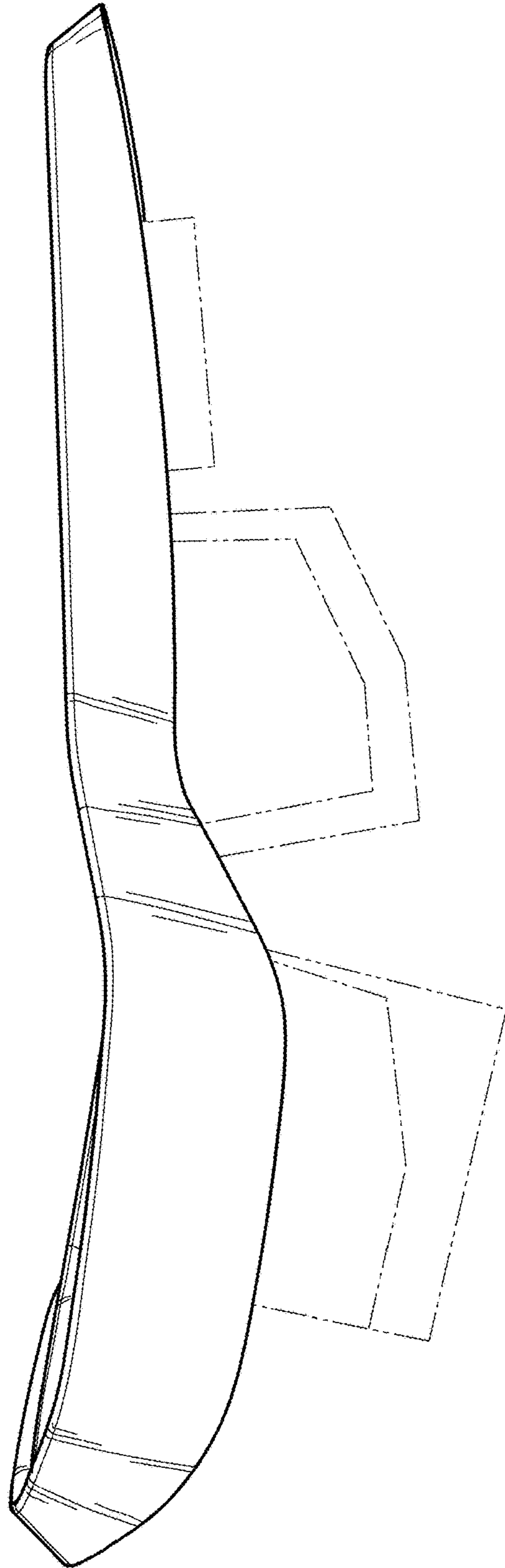


Fig. 5

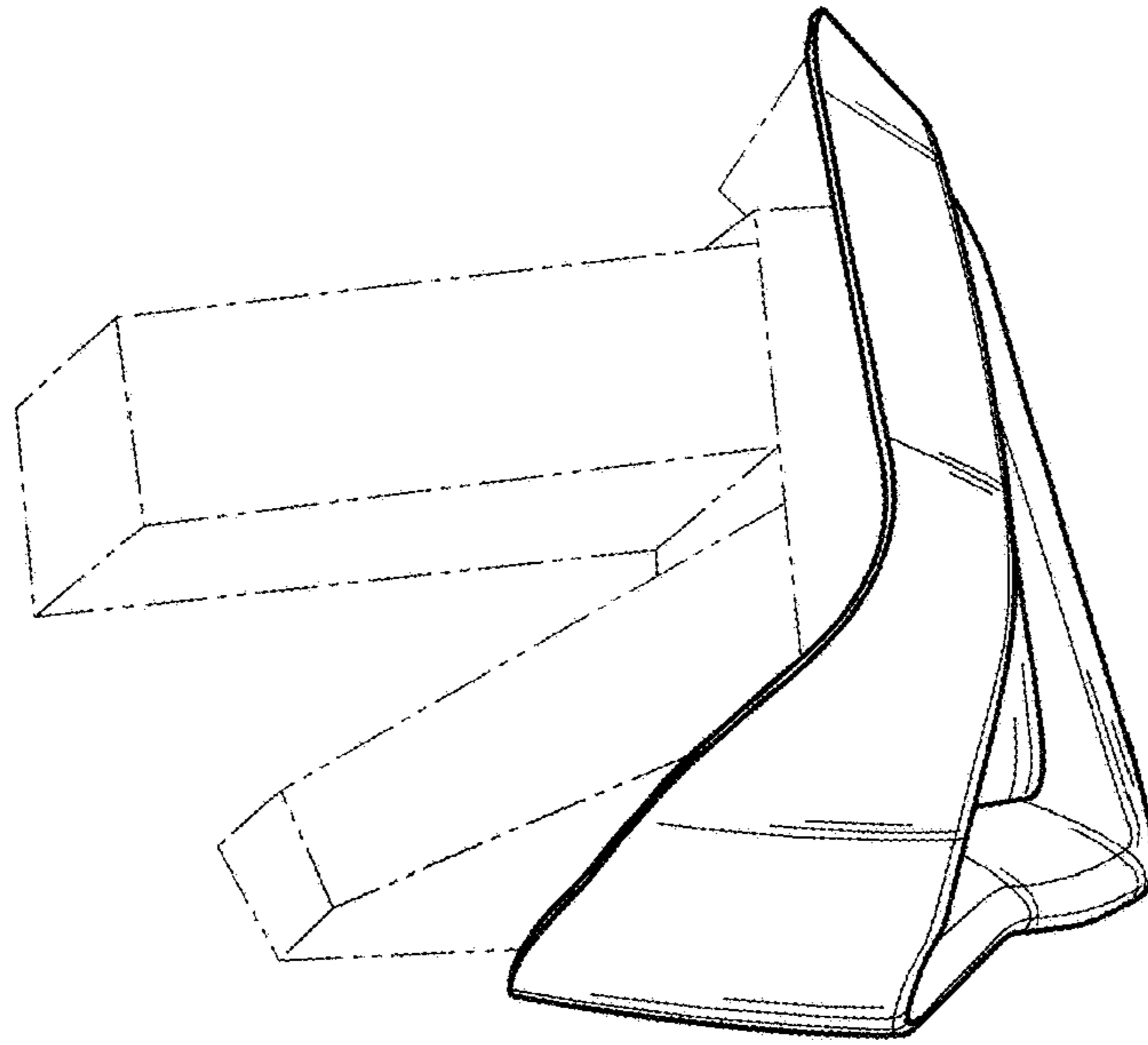


Fig. 6

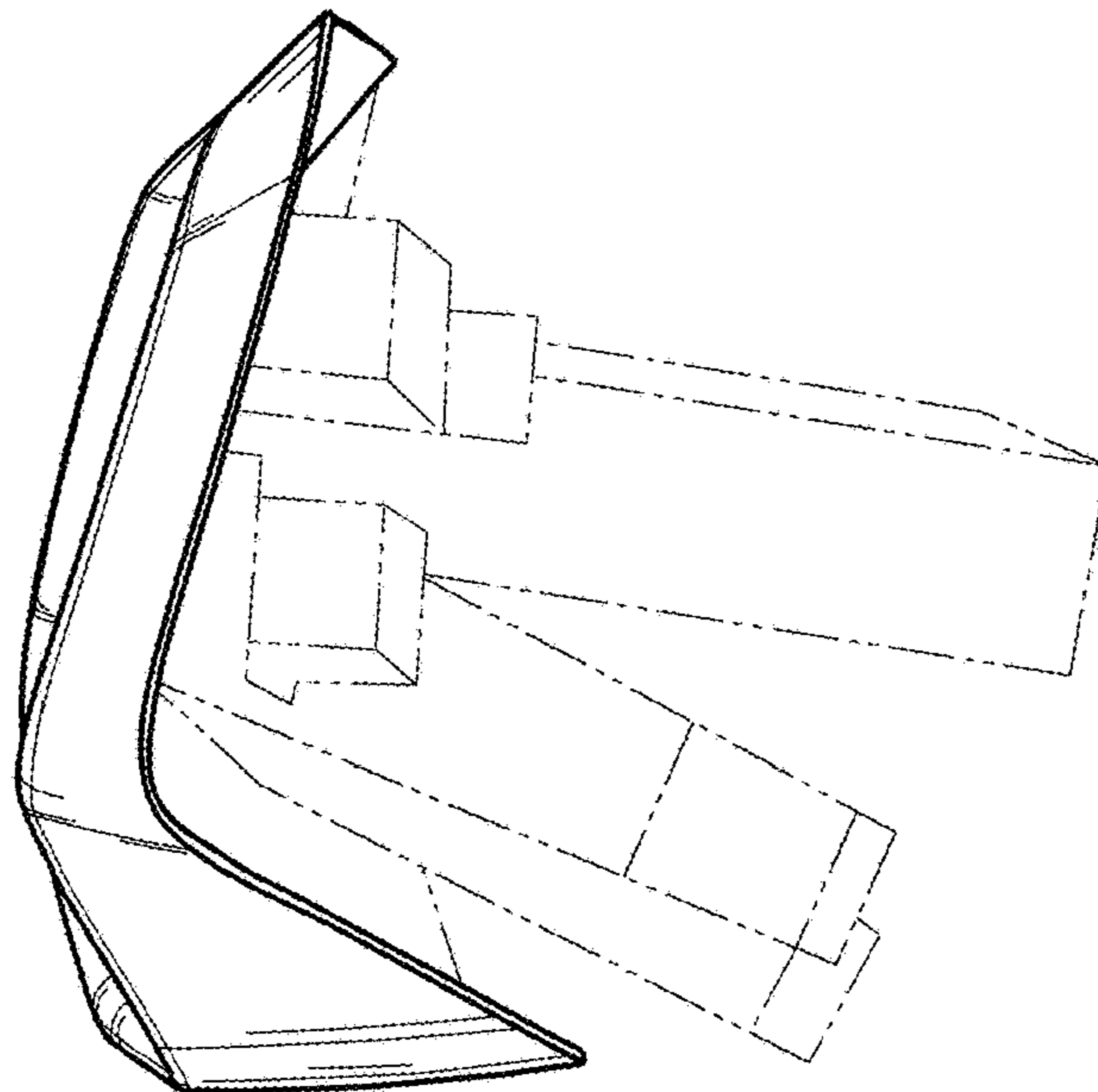


Fig. 7