



US00D847869S

(12) **United States Design Patent** (10) **Patent No.:** **US D847,869 S**
Sachtleben et al. (45) **Date of Patent:** **** May 7, 2019**

(54) **AGRICULTURAL MACHINE HEADLINER BEZEL**
(71) Applicant: **CNH Industrial America LLC**, New Holland, PA (US)
(72) Inventors: **David C. Sachtleben**, Lititz, PA (US); **David M. Wilkie**, Turin (IT); **Dwayne St. George Jackson**, Lake Orion, MI (US)

(73) Assignee: **CNH Industrial America LLC**, New Holland, PA (US)

(**) Term: **15 Years**

(21) Appl. No.: **29/636,125**

(22) Filed: **Feb. 6, 2018**

(51) **LOC (11) Cl.** **15-03**

(52) **U.S. Cl.**
USPC **D15/28; D15/17**

(58) **Field of Classification Search**
USPC D15/17, 28, 14, 15, 22-26, 31, 33;
D12/192; 180/69.24, 69.2, 69.21, 90,
180/89.12, 900; 296/70, 30, 72, 191,
296/192, 193.03
CPC B62D 49/00; B60K 37/00; B60K 37/02;
B60K 37/04; B60K 2350/928; B60Y
2200/22

See application file for complete search history.

(56) **References Cited**

U.S. PATENT DOCUMENTS

D374,535 S * 10/1996 Feider D13/168
D376,244 S * 12/1996 Feider D12/192

D420,685 S * 2/2000 Muranen D15/30
D427,207 S * 6/2000 Altmann D15/28
D427,208 S * 6/2000 Altmann D15/28
D432,963 S * 10/2000 Meinhardt D12/192
D444,750 S * 7/2001 Meinhardt D12/192
D532,427 S * 11/2006 Kim D15/28
D600,191 S * 9/2009 Wilhelm D12/415
D685,006 S * 6/2013 Hagura D15/17
D689,529 S * 9/2013 Hagura D15/28
D774,558 S * 12/2016 Sasaki D15/17

* cited by examiner

Primary Examiner — Mark A Goodwin

(74) *Attorney, Agent, or Firm* — Rickard K. DeMille;
Rebecca L. Henkel

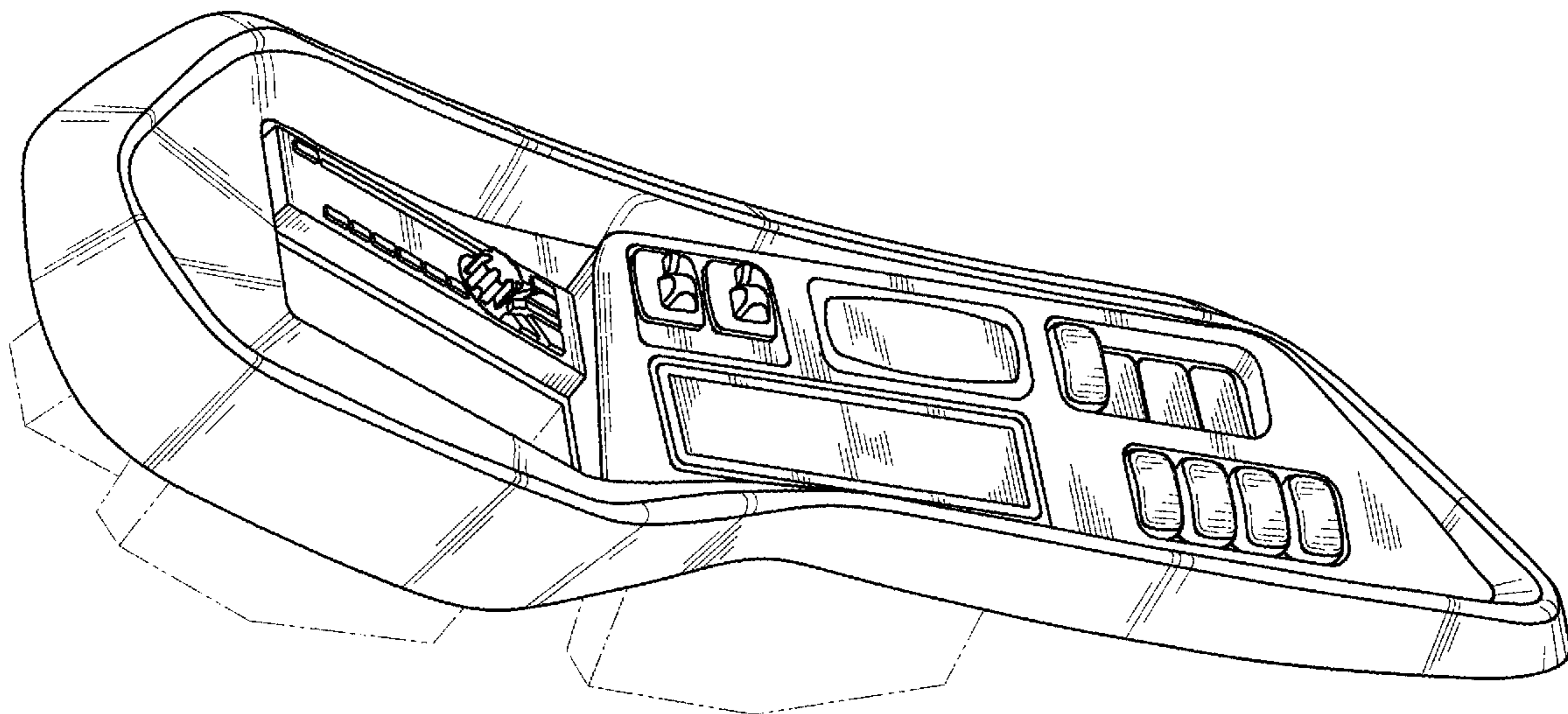
(57) **CLAIM**

The ornamental design for an agricultural machine headliner bezel, as shown and described.

DESCRIPTION

FIG. 1 is a front view of the agricultural machine headliner bezel of the present design;
FIG. 2 is a side perspective view thereof;
FIG. 3 is an opposite side perspective view thereof;
FIG. 4 is a top view thereof;
FIG. 5 is a bottom view thereof;
FIG. 6 is a side view thereof; and,
FIG. 7 is an opposite side view thereof.
The dashed lines shown in the figures represent portions of the agricultural machine headliner bezel that form no part of the claimed design.

1 Claim, 6 Drawing Sheets



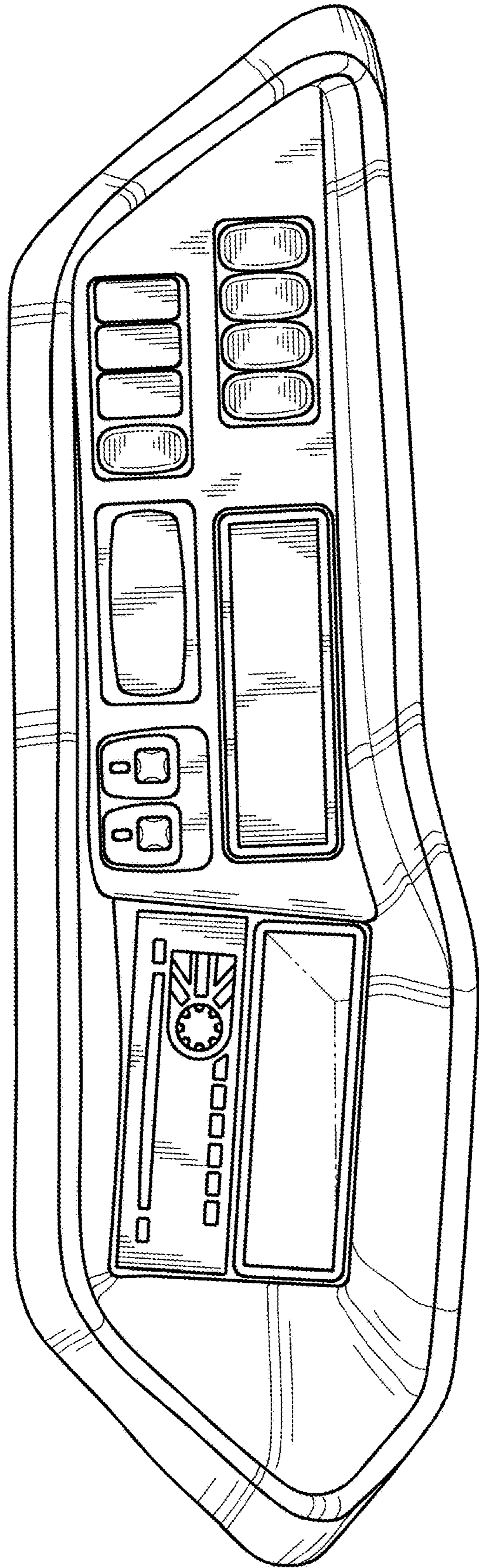


Fig. 1

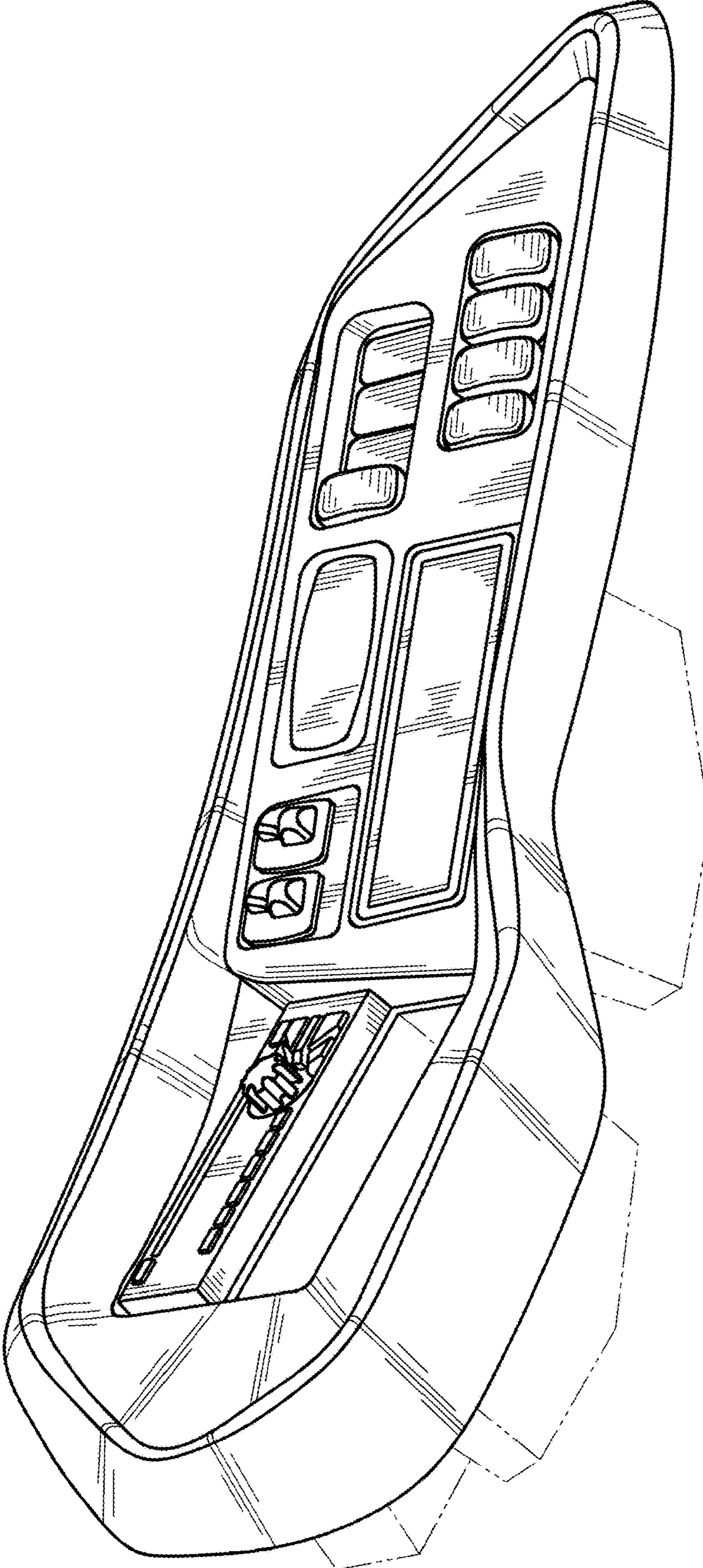


Fig. 2

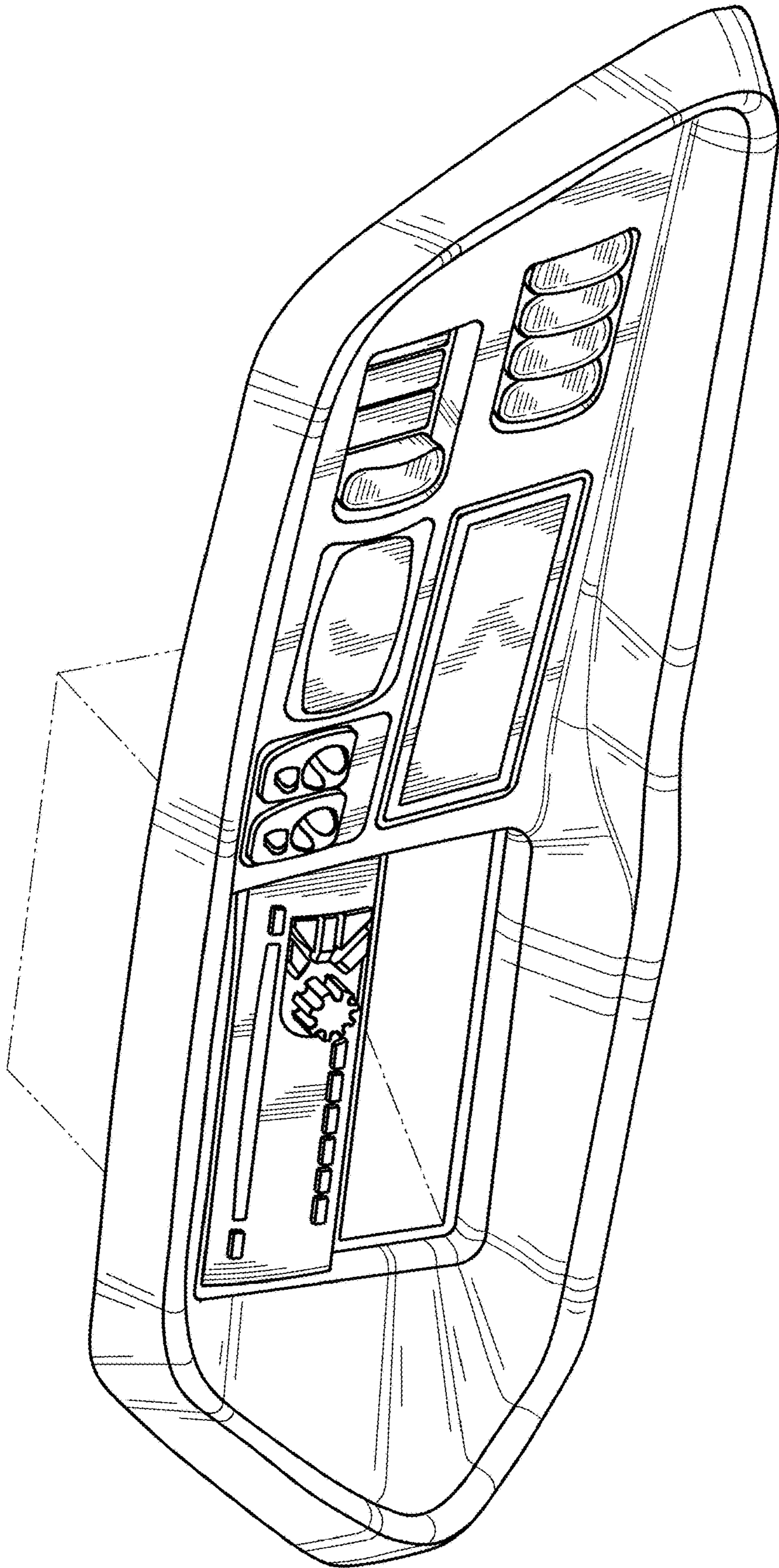


Fig. 3

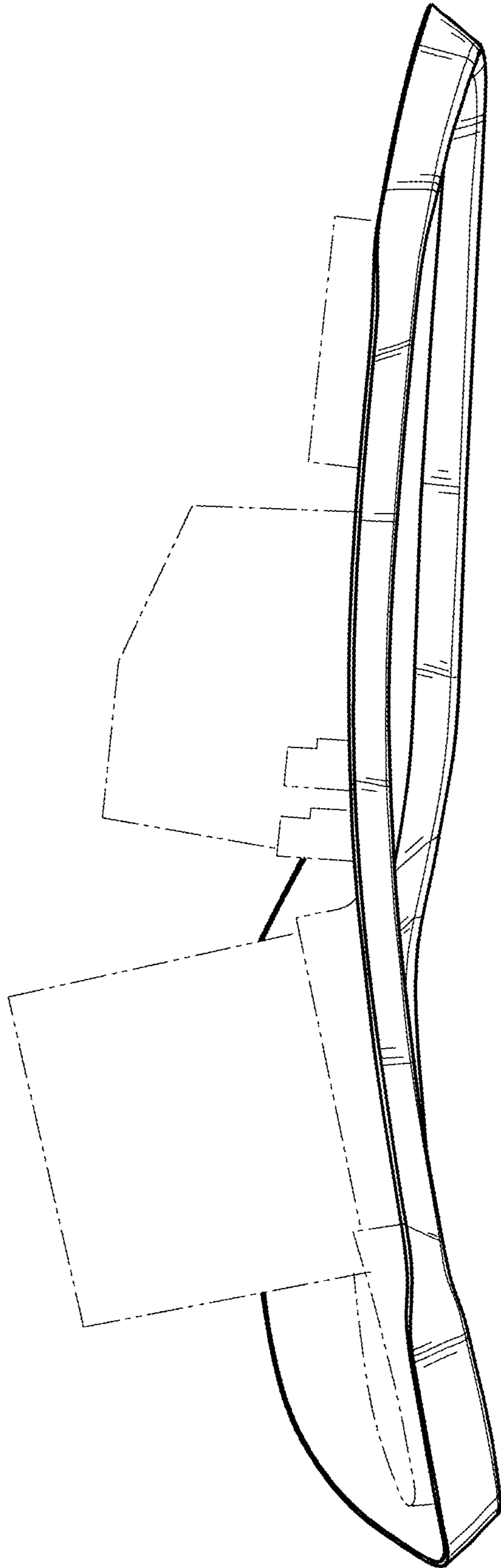


Fig. 4

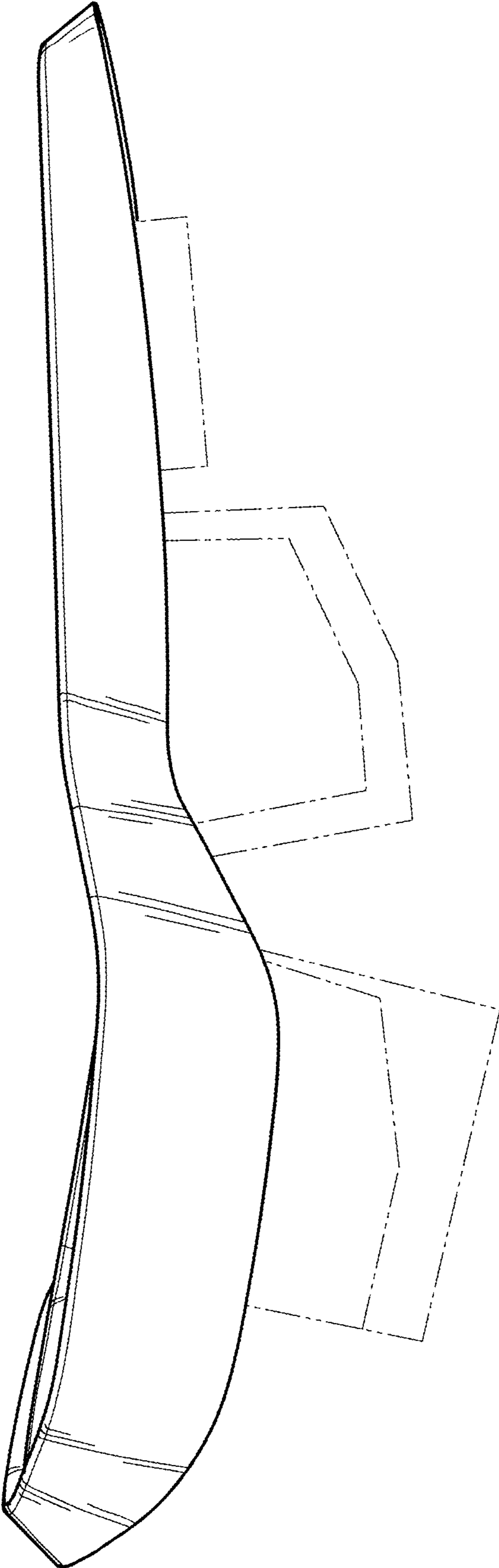


Fig. 5

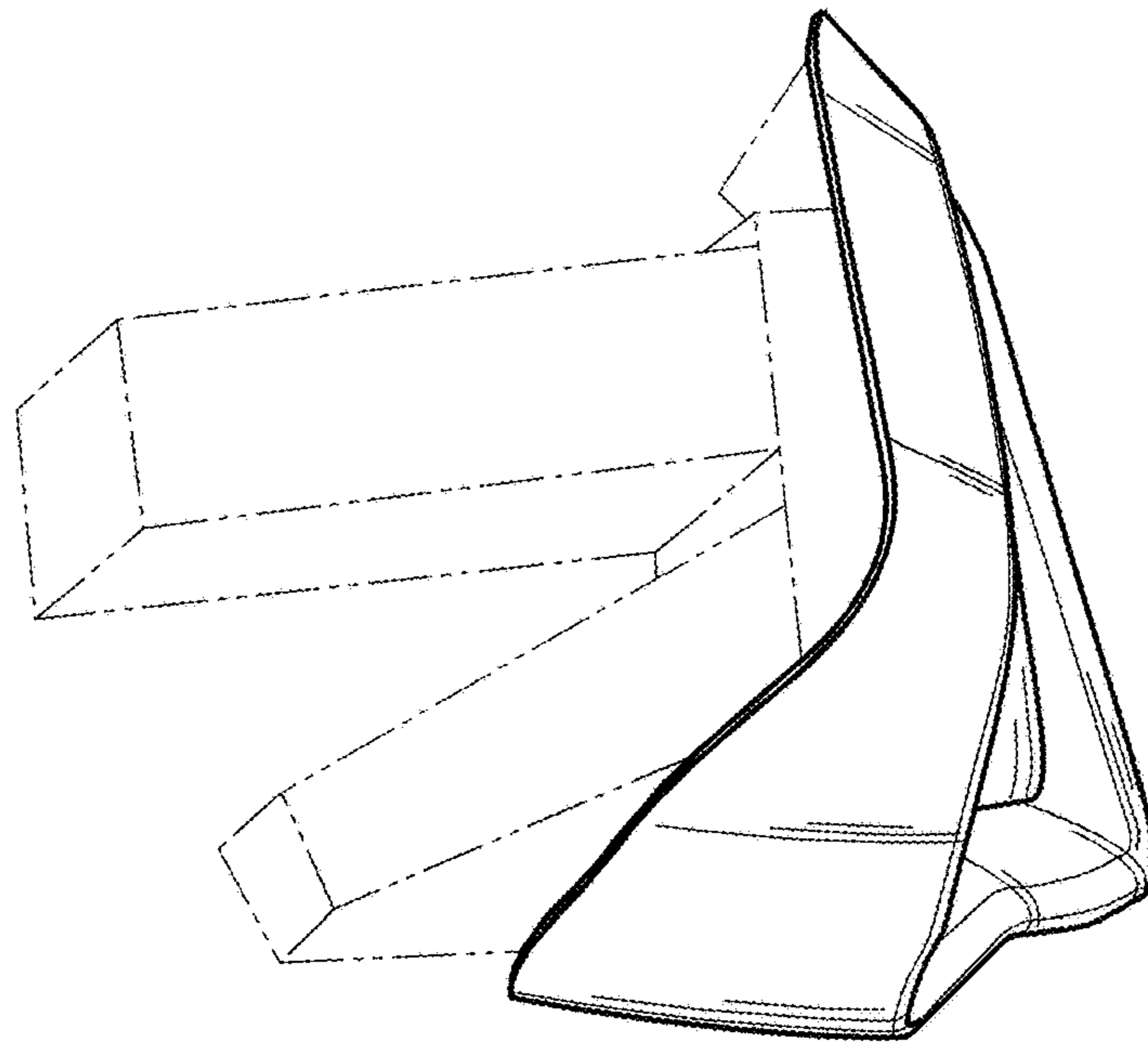


Fig. 6

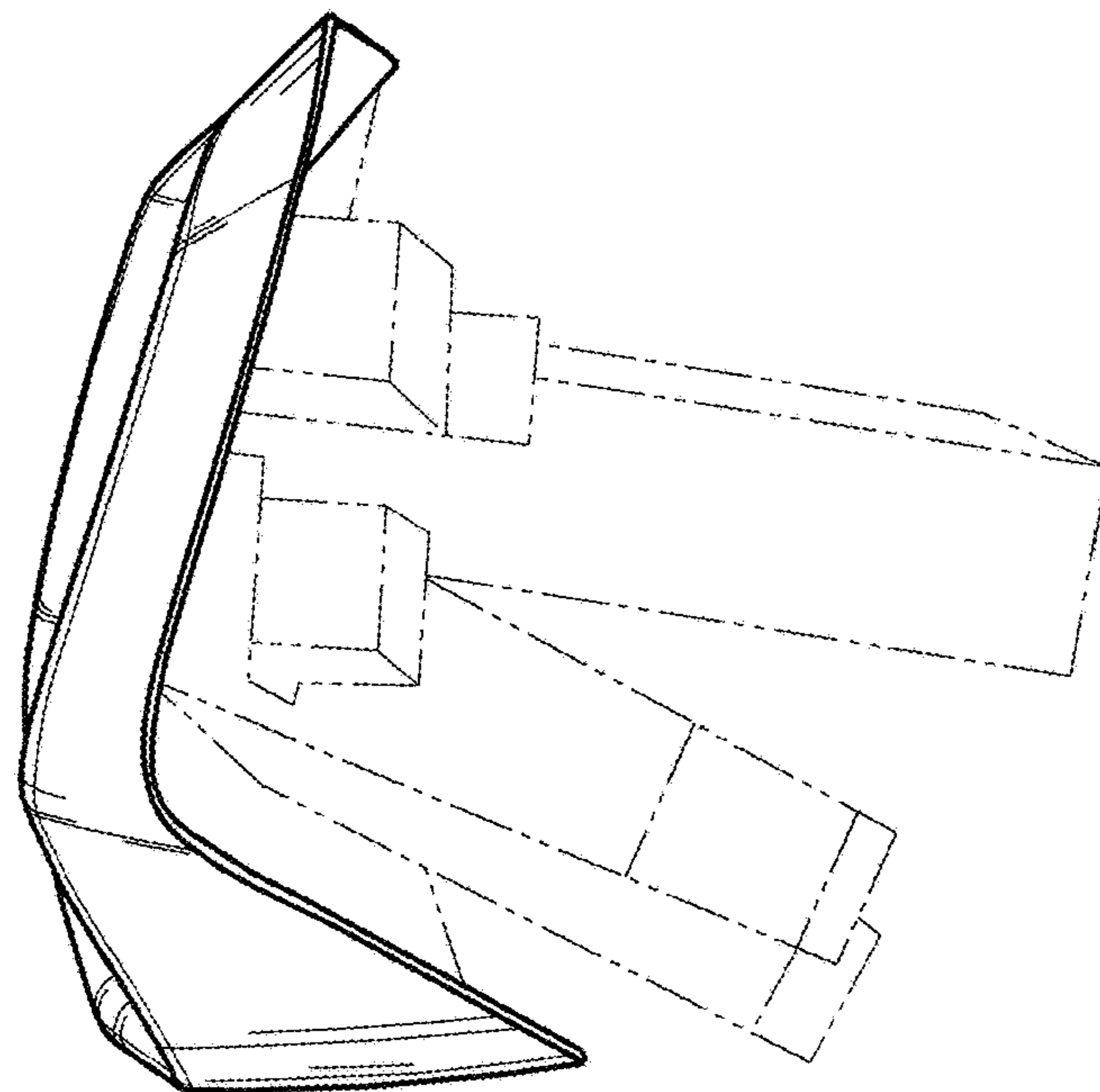


Fig. 7