



US00D847866S

(12) **United States Design Patent**
Janardhan et al.

(10) **Patent No.:** **US D847,866 S**

(45) **Date of Patent:** **** May 7, 2019**

(54) **PUMP**

(71) Applicant: **Insera Therapeutics, Inc.**, Sacramento, CA (US)

(72) Inventors: **Vallabh Janardhan**, Dallas, TX (US);
Vikram Janardhan, Sacramento, CA (US)

(73) Assignee: **Insera Therapeutics, Inc.**, Sacramento, CA (US)

(**) Term: **15 Years**

(21) Appl. No.: **29/678,632**

(22) Filed: **Jan. 30, 2019**

Related U.S. Application Data

(62) Division of application No. 29/634,405, filed on Jan. 22, 2018.

(51) **LOC (11) Cl.** **15-02**

(52) **U.S. Cl.**
USPC **D15/7**

(58) **Field of Classification Search**
USPC D15/7-9; D23/225, 231, 232
CPC F02M 37/04; F02M 37/14; F04B 53/92;
F04B 1/005; F04D 13/06; F04D 29/22;
F04D 29/046; F04D 29/2266
See application file for complete search history.

(56) **References Cited**

U.S. PATENT DOCUMENTS

- 4,930,997 A 6/1990 Bennett
- D333,664 S * 3/1993 Carroll D15/7
- 5,419,774 A 5/1995 Willard et al.
- 5,622,867 A 4/1997 Livesey et al.
- 5,827,229 A 10/1998 Auth et al.
- 5,919,614 A 7/1999 Livesey et al.
- D413,123 S * 8/1999 Leonhard D15/7

- 6,022,747 A 2/2000 Gherson et al.
- 6,062,215 A 5/2000 Leininger et al.
- 6,071,267 A 6/2000 Zamierowski
- 6,115,860 A 9/2000 Vralik

(Continued)

FOREIGN PATENT DOCUMENTS

- EP 0 777 504 10/1998
- EP 0 853 950 10/2002

(Continued)

OTHER PUBLICATIONS

U.S. Appl. No. 11/859,272, filed Sep. 21, 2007, Distal Embolic Protection Devices and Methods for Their Use, U.S. Pat. No. 9,034,007, May 19, 2015.

(Continued)

Primary Examiner — Khawaja Anwar

(74) *Attorney, Agent, or Firm* — Knobbe Martens Olson & Bear, LLP

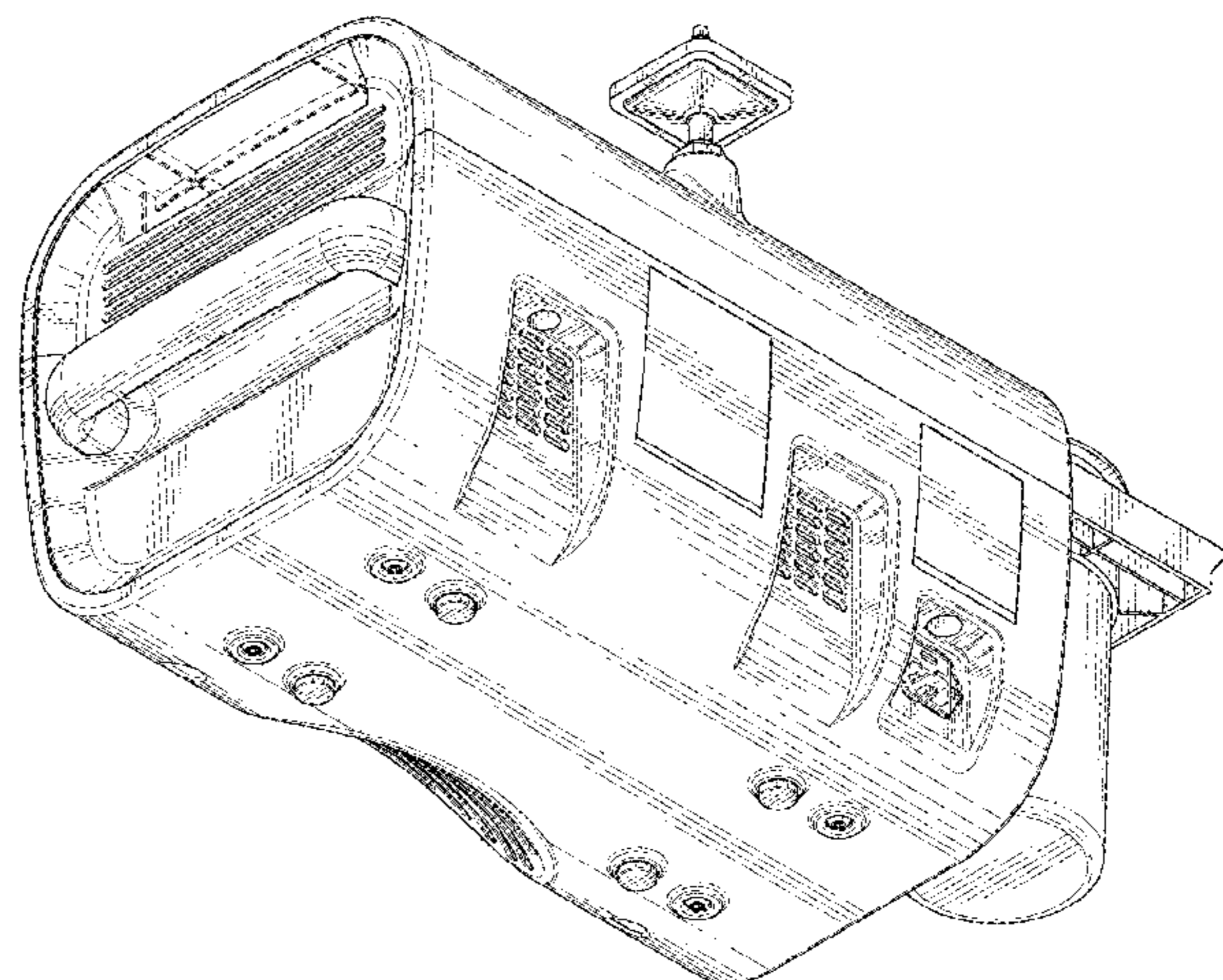
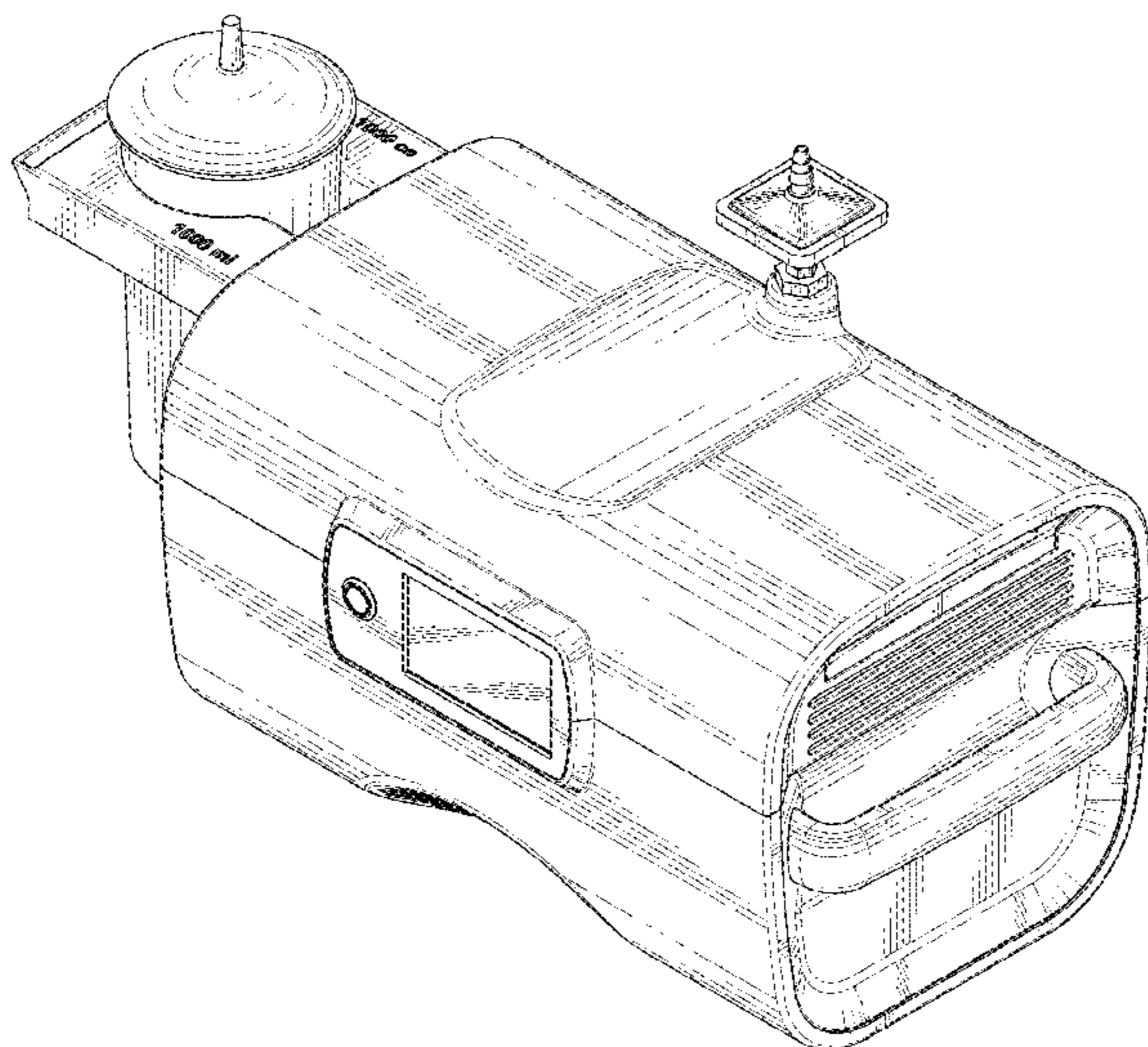
(57) **CLAIM**

The ornamental design for a pump, as shown and described.

DESCRIPTION

FIG. 1 is a front, left, and top perspective view of a pump; FIG. 2 is a back, right, and bottom perspective view of the pump of FIG. 1; FIG. 3 is a front elevational view of the pump of FIG. 1; FIG. 4 is a back elevational view of the pump of FIG. 1; FIG. 5 is a top plan view of the pump of FIG. 1; FIG. 6 is a bottom plan view of the pump of FIG. 1; FIG. 7 is a right elevational view of the pump of FIG. 1; and, FIG. 8 is a left elevational view of the pump of FIG. 1. The broken lines shown in drawings show portions of the pump and form no parts of the claimed design.

1 Claim, 7 Drawing Sheets



(56)

References Cited

U.S. PATENT DOCUMENTS

6,145,143	A	11/2000	Hicks et al.	9,370,611	B2	6/2016	Ross et al.
6,163,908	A	12/2000	Vralik	9,375,513	B2	6/2016	Sun et al.
6,183,488	B1	2/2001	Ross et al.	9,445,831	B2	9/2016	Mark
6,221,669	B1	4/2001	Livesey et al.	9,446,189	B2	9/2016	Rimsa et al.
D445,804	S *	7/2001	Tsai D15/7	9,526,865	B2	12/2016	Quick
6,306,163	B1	10/2001	Fitz	9,532,792	B2	1/2017	Galdonik et al.
6,353,950	B1	3/2002	Bartlett et al.	9,532,863	B2	1/2017	Hayzlett
6,358,260	B1	3/2002	Ross et al.	9,549,805	B2	1/2017	Hayzlett et al.
6,387,065	B1	5/2002	Tumey	9,554,805	B2	1/2017	Tompkins et al.
6,425,905	B1	7/2002	Guimaraes et al.	9,561,129	B2	2/2017	Ross et al.
6,468,237	B1	10/2002	Lina	9,566,089	B2	2/2017	Webb et al.
6,517,513	B1	2/2003	Covington et al.	9,594,004	B2	3/2017	Fry et al.
6,547,756	B1	4/2003	Greter et al.	9,615,832	B2	4/2017	Bose et al.
6,663,644	B1	12/2003	Ross et al.	9,615,951	B2	4/2017	Bennett et al.
6,673,028	B1	1/2004	Argenta et al.	D785,679	S *	5/2017	Hartung D15/7
6,827,701	B2	12/2004	MacMahon et al.	D786,939	S *	5/2017	Nelson D15/7
6,904,631	B2	6/2005	Vralik et al.	9,655,633	B2	5/2017	Leynov et al.
7,004,915	B2	2/2006	Boynton et al.	9,662,129	B2	5/2017	Galdonik et al.
D520,023	S *	5/2006	Goto D15/7	9,675,358	B2	6/2017	Wagner et al.
7,108,683	B2	9/2006	Zamierowski	D795,420	S	8/2017	Rimsa et al.
7,144,390	B1	12/2006	Hannigan et al.	9,737,455	B2	8/2017	Argenta et al.
7,198,046	B1	4/2007	Argenta et al.	9,775,621	B2	10/2017	Tompkins et al.
7,216,651	B2	5/2007	Argenta et al.	D810,145	S *	2/2018	Sinico D15/7
7,276,052	B2	10/2007	Kobayashi et al.	9,883,854	B2	2/2018	Mak
7,300,429	B2	11/2007	Fitzgerald et al.	9,883,877	B2	2/2018	Look
7,311,700	B2	12/2007	Guimaraes et al.	9,913,705	B2	3/2018	Hayzlett et al.
D573,609	S *	7/2008	Bilger D15/7	9,913,936	B2	3/2018	Look et al.
7,410,491	B2	8/2008	Hopkins et al.	9,915,674	B2	3/2018	Zordan
7,410,602	B2	8/2008	Davey et al.	9,943,321	B2	4/2018	Nita
7,514,075	B2	4/2009	Hedrick et al.	9,999,710	B2	6/2018	Ross et al.
D604,746	S *	11/2009	Nishido D15/7	D822,718	S *	7/2018	Hartung D15/7
7,645,291	B2	1/2010	Ross et al.	10,022,214	B2	7/2018	Hayzlett
7,658,746	B2	2/2010	Ross et al.	D826,282	S *	8/2018	Mead D15/7
7,666,161	B2	2/2010	Nash et al.	D826,283	S *	8/2018	Mead D15/7
7,717,853	B2	5/2010	Nita	10,058,339	B2	8/2018	Galdonik et al.
7,918,822	B2	4/2011	Kumar et al.	10,076,318	B2	9/2018	Argenta et al.
7,931,651	B2	4/2011	Webb et al.	D838,746	S *	1/2019	Gan D15/7
7,931,659	B2	4/2011	Bose et al.	D838,747	S *	1/2019	Gan D15/7
8,070,735	B2	12/2011	Koch et al.	2003/0004537	A1	1/2003	Boyle et al.
8,070,764	B2	12/2011	Ross et al.	2003/0069549	A1	4/2003	MacMahon et al.
8,070,791	B2	12/2011	Ferrera et al.	2003/0139255	A1	7/2003	Lina
8,105,580	B2	1/2012	Fraser et al.	2005/0085769	A1	4/2005	MacMahon et al.
8,163,276	B2	4/2012	Hedrick et al.	2005/0124969	A1	6/2005	Fitzgerald et al.
8,235,955	B2	8/2012	Blott et al.	2006/0058837	A1	3/2006	Bose et al.
8,267,960	B2	9/2012	Argenta et al.	2007/0038100	A1	2/2007	Nita
8,333,796	B2	12/2012	Tompkins et al.	2007/0129652	A1	6/2007	Nita
8,366,620	B2	2/2013	Nita	2007/0135832	A1	6/2007	Wholey et al.
8,366,735	B2	2/2013	Bose et al.	2007/0239261	A1	10/2007	Bose et al.
8,377,016	B2	2/2013	Argenta et al.	2008/0015478	A1	1/2008	Bose
8,425,549	B2	4/2013	Lenker et al.	2008/0051708	A1	2/2008	Kumar et al.
8,454,603	B2	6/2013	Webb et al.	2008/0147110	A1	6/2008	Wijeratne
8,460,312	B2	6/2013	Bose et al.	2008/0319355	A1	12/2008	Nita
8,465,467	B2	6/2013	Gao	2009/0030400	A1	1/2009	Bose et al.
8,591,453	B2	11/2013	Stubkjaer et al.	2009/0318892	A1	12/2009	Aboytes et al.
8,632,498	B2	1/2014	Rimsa et al.	2010/0114017	A1	5/2010	Lenker et al.
8,758,315	B2	6/2014	Chen et al.	2010/0191178	A1	7/2010	Ross et al.
D710,003	S	7/2014	Rimsa et al.	2010/0204672	A1	8/2010	Lockhart et al.
8,764,794	B2	7/2014	Argenta et al.	2010/0217276	A1	8/2010	Garrison et al.
8,795,244	B2	8/2014	Randolph et al.	2010/0280434	A1	11/2010	Raney et al.
D712,933	S *	9/2014	DeOreo D15/7	2011/0160621	A1	6/2011	Nita
8,834,520	B2	9/2014	Argenta et al.	2011/0160761	A1	6/2011	Ferrera et al.
8,911,487	B2	12/2014	Bennett et al.	2011/0184454	A1	7/2011	Barry et al.
8,920,402	B2	12/2014	Nash et al.	2011/0264133	A1	10/2011	Hanlon et al.
8,932,320	B1	1/2015	Janardhan et al.	2011/0313328	A1	12/2011	Nita
8,932,321	B1	1/2015	Janardhan et al.	2011/0319927	A1	12/2011	Nita
9,023,273	B2	5/2015	Kibalo	2012/0078140	A1	3/2012	Nita
9,050,136	B2	6/2015	Webb et al.	2012/0078285	A1	3/2012	Griffin
D737,431	S	8/2015	Rimsa et al.	2012/0150147	A1	6/2012	Leynov et al.
9,095,326	B2	8/2015	Ritchie et al.	2012/0310367	A1	12/2012	Connor
9,119,656	B2	9/2015	Bose et al.	2012/0330196	A1	12/2012	Nita
9,125,731	B2	9/2015	Ross et al.	2013/0121970	A1	5/2013	Owens et al.
9,186,151	B2	11/2015	Tompkins et al.	2013/0201316	A1	8/2013	Binder et al.
9,289,193	B2	3/2016	Argenta et al.	2014/0128907	A1	5/2014	Hui et al.
9,314,568	B2	4/2016	Gurtner et al.	2014/0180377	A1	6/2014	Bose et al.
9,333,024	B2	5/2016	Woloszko et al.	2014/0276897	A1	9/2014	Rockley et al.
				2015/0032120	A1	1/2015	Janardhan et al.
				2015/0032121	A1	1/2015	Janardhan et al.
				2015/0196304	A1	7/2015	Rabkin et al.
				2015/0202338	A1	7/2015	Kibalo

(56)

References Cited

U.S. PATENT DOCUMENTS

2015/0320911	A1	11/2015	Sun et al.
2015/0359666	A1	12/2015	Zacharias
2016/0058614	A1	3/2016	Ross et al.
2016/0128869	A1	5/2016	Zacharias
2016/0166265	A1	6/2016	Nita
2016/0166352	A1	6/2016	Rimsa et al.
2016/0193429	A1	7/2016	Gurtner et al.
2016/0244722	A1	8/2016	Wang et al.
2016/0271295	A1	9/2016	Sun et al.
2017/0021072	A1	1/2017	Forsell
2017/0105743	A1	4/2017	Vale et al.
2017/0112562	A1	4/2017	Woloszko et al.
2017/0112981	A1	4/2017	Friedman et al.
2017/0147765	A1	5/2017	Mehta
2017/0151032	A1	6/2017	Loisel
2017/0172581	A1	6/2017	Bose et al.
2017/0173227	A1	6/2017	Jessop et al.
2017/0212014	A1	7/2017	Fry et al.
2017/0215902	A1	8/2017	Leynov et al.
2017/0296422	A1	10/2017	Park et al.
2017/0340797	A1	11/2017	Raman et al.
2017/0360450	A1	12/2017	Tompkins et al.
2017/0367857	A1	12/2017	Bennett et al.
2018/0000510	A1	1/2018	Nash et al.
2018/0057787	A1	3/2018	Friedman et al.
2018/0085136	A1	3/2018	Janardhan et al.
2018/0153675	A1	6/2018	Hayzlett et al.
2018/0153760	A1	6/2018	Rosen et al.
2018/0185130	A1	7/2018	Janardhan et al.
2018/0197633	A1	7/2018	Mehta
2018/0228502	A1	8/2018	Shaffer et al.
2018/0242989	A1	8/2018	Nita
2018/0263642	A1	9/2018	Nita
2018/0263646	A1	9/2018	Loisel
2018/0296317	A1	10/2018	Hayzlett et al.
2018/0303498	A1	10/2018	Galdonik et al.
2018/0338770	A1	11/2018	Mogi et al.
2018/0339130	A1	11/2018	Ogle
2018/0353194	A1	12/2018	Shaffer et al.
2018/0353644	A1	12/2018	Sun et al.
2018/0368965	A1	12/2018	Janardhan et al.
2019/0008626	A1	1/2019	Janardhan et al.
2019/0008627	A1	1/2019	Janardhan et al.

FOREIGN PATENT DOCUMENTS

WO	WO 2012/057881	5/2012
WO	WO 2014/151209	9/2014
WO	WO 2015/157330	10/2015
WO	WO 2016/018448	2/2016
WO	WO 2017/142874	8/2017

OTHER PUBLICATIONS

U.S. Appl. No. 14/709,794, filed May 12, 2015, Distal Embolic Protection Devices and Methods For Their Use.

U.S. Appl. No. 13/952,982, filed Jul. 29, 2013, Shape-Set Textile Structure Based Mechanical Thrombectomy Methods, U.S. Pat. No. 8,679,150, Mar. 25, 2014.

U.S. Appl. No. 14/012,161, filed Aug. 28, 2013, Shape-Set Textile Structure Based Mechanical Thrombectomy Systems, U.S. Pat. No. 9,179,931, Nov. 10, 2015.

U.S. Appl. No. 14/926,636, filed Oct. 29, 2015, Shape-Set Textile Structure Based Mechanical Thrombectomy Systems, U.S. Pat. No. 9,750,524, Sep. 5, 2017.

U.S. Appl. No. 15/693,816, filed Sep. 1, 2017, Woven Vascular Device and Treatments.

U.S. Appl. No. 13/953,556, filed Jul. 29, 2013, Vascular Treatment Methods, U.S. Pat. No. 8,690,907, Apr. 8, 2014.

U.S. Appl. No. 13/953,681, filed Jul. 29, 2013, Vascular Treatment Systems, U.S. Pat. No. 8,715,315, May 6, 2014.

U.S. Appl. No. 14/012,474, filed Aug. 28, 2013, Woven Vascular Treatment Devices, U.S. Pat. No. 8,747,432, Jun. 10, 2014.

U.S. Appl. No. 14/012,481, filed Aug. 28, 2013, Slotted Vascular Treatment Devices, U.S. Pat. No. 8,721,676, May 13, 2014.

U.S. Appl. No. 14/012,348, filed Aug. 28, 2013, Methods of Manufacturing Vascular Treatment Devices, U.S. Pat. No. 8,783,151, Jul. 22, 2014.

U.S. Appl. No. 14/167,132, filed Jan. 29, 2014, Methods of Cutting Tubular Devices, U.S. Pat. No. 8,895,891, Nov. 25, 2014.

U.S. Appl. No. 14/088,797, filed Nov. 25, 2013, Woven Vascular Treatment Systems, U.S. Pat. No. 8,753,371, Jun. 17, 2014.

U.S. Appl. No. 14/551,337, filed Nov. 24, 2014, Free End Vascular Treatment Systems, U.S. Pat. No. 9,592,068, Mar. 14, 2017.

U.S. Appl. No. 15/457,089, filed Mar. 13, 2017, Vascular Treatment Devices.

U.S. Appl. No. 13/953,540, filed Jul. 29, 2013, Vascular Treatment Measurement Methods, U.S. Pat. No. 8,715,314, May 6, 2014.

U.S. Appl. No. 14/012,866, filed Aug. 28, 2013, Two-Way Shape Memory Vascular Treatment Methods, U.S. Pat. No. 8,845,678, Sep. 30, 2014.

U.S. Appl. No. 14/012,862, filed Aug. 28, 2013, Methods of Coupling Parts of Vascular Treatment Systems, U.S. Pat. No. 8,733,618, May 27, 2014.

U.S. Appl. No. 14/012,904, filed Aug. 28, 2013, Methods of Manufacturing Woven Vascular Treatment Devices, U.S. Pat. No. 8,789,452, Jul. 29, 2014.

U.S. Appl. No. 14/012,913, filed Aug. 28, 2013, Methods of Manufacturing Slotted Vascular Treatment Devices, U.S. Pat. No. 9,179,995, Nov. 10, 2015.

U.S. Appl. No. 14/012,903, filed Aug. 28, 2013, Two-Way Shape Memory Vascular Treatment Systems, U.S. Pat. No. 8,870,901, Oct. 28, 2014.

U.S. Appl. No. 14/013,411, filed Aug. 29, 2013, Slotted Catheters, U.S. Pat. No. 8,728,116, May 20, 2014.

U.S. Appl. No. 14/013,376, filed Aug. 29, 2013, Heat Treatment Systems, U.S. Pat. No. 8,735,777, May 27, 2014.

U.S. Appl. No. 14/013,421, filed Aug. 29, 2013, Laser Cutting Systems.

U.S. Appl. No. 14/013,448, filed Aug. 29, 2013, Woven Vascular Device End Treatments.

U.S. Appl. No. 14/013,588, filed Aug. 29, 2013, Woven Radiopaque Patterns, U.S. Pat. No. 8,852,227, Oct. 7, 2014.

U.S. Appl. No. 14/013,530, filed Aug. 29, 2013, Offset Vascular Treatment Devices, U.S. Pat. No. 8,715,316, May 6, 2014.

U.S. Appl. No. 14/132,493, filed Dec. 18, 2013, Variably-Shaped Vascular Devices, U.S. Pat. No. 8,721,677, May 13, 2014.

U.S. Appl. No. 14/093,796, filed Dec. 2, 2013, Flow Diverting Devices, U.S. Pat. No. 8,715,317, May 6, 2014.

U.S. Appl. No. 14/093,831, filed Dec. 2, 2013, Flow Disrupting Devices, U.S. Pat. No. 8,728,117, May 20, 2014.

U.S. Appl. No. 14/093,810, filed Dec. 2, 2013, Methods of Decoupling Joints, U.S. Pat. No. 8,870,910, Oct. 28, 2014.

U.S. Appl. No. 14/254,271, filed Apr. 16, 2014, Methods of Aspiring Thrombi, U.S. Pat. No. 8,932,320, Jan. 13, 2015.

U.S. Appl. No. 14/260,655, filed Apr. 24, 2014, Aspiration Systems, U.S. Pat. No. 8,832,321, Jan. 13, 2015.

U.S. Appl. No. 14/167,118, filed Jan. 29, 2014, Variable Porosity Flow Diverting Devices, U.S. Pat. No. 8,845,679, Sep. 30, 2014.

U.S. Appl. No. 14/167,138, filed Jan. 29, 2014, Methods of Manufacturing Flow Diverting Devices, U.S. Pat. No. 8,863,631, Oct. 21, 2014.

U.S. Appl. No. 14/258,424, filed Apr. 22, 2014, Non-Cylindrical Mandrels, U.S. Pat. No. 8,910,555, Dec. 16, 2014.

U.S. Appl. No. 14/224,605, filed Mar. 25, 2014, Balloon Catheters, U.S. Pat. No. 8,828,045, Sep. 9, 2014.

U.S. Appl. No. 14/224,599, filed Mar. 25, 2014, Methods for Modifying Hypotubes, U.S. Pat. No. 8,813,247, Aug. 26, 2014.

U.S. Appl. No. 14/224,551, filed Mar. 25, 2014, Methods for Slag Removal, U.S. Pat. No. 8,859,934, Oct. 14, 2014.

U.S. Appl. No. 14/224,637, filed Mar. 25, 2014, Variably Heat-Treated Tubular Devices.

(56)

References Cited

OTHER PUBLICATIONS

U.S. Appl. No. 14/224,719, filed Mar. 25, 2014, Methods of Selectively Heat Treating Tubular Devices, U.S. Pat. No. 8,866,049, Oct. 21, 2014.

U.S. Appl. No. 14/225,055, filed Mar. 25, 2014, Reversibly Coupled Joints.

U.S. Appl. No. 14/269,594, filed May 5, 2014, Aspiration Catheters.

U.S. Appl. No. 14/258,504, filed Apr. 22, 2014, Methods of Embolic Filtering, U.S. Pat. No. 8,882,797, Nov. 11, 2014.

U.S. Appl. No. 14/224,817, filed Mar. 25, 2014, Fistula Flow Disruptor Methods, U.S. Pat. No. 8,790,365, Jul. 29, 2014.

U.S. Appl. No. 14/167,147, filed Jan. 29, 2014, Methods of Manufacturing Variable Porosity Devices, U.S. Pat. No. 8,869,670, Oct. 28, 2014.

U.S. Appl. No. 14/167,204, filed Jan. 29, 2014, Methods of Manufacturing Variable Porosity Flow Diverting Devices, U.S. Pat. No. 8,813,625, Aug. 26, 2014.

U.S. Appl. No. 14/258,857, filed Apr. 22, 2014, Methods of Using Non-Cylindrical Mandrels, U.S. Pat. No. 8,904,914, Dec. 9, 2014.

U.S. Appl. No. 14/224,593, filed Mar. 25, 2014, Devices for Modifying Hypotubes, U.S. Pat. No. 8,872,068, Oct. 28, 2014.

U.S. Appl. No. 14/224,576, filed Mar. 25, 2014, Devices for Slag Removal, U.S. Pat. No. 8,803,030, Aug. 12, 2014.

U.S. Appl. No. 14/224,787, filed Mar. 25, 2014, Fistula Flow Disruptors, U.S. Pat. No. 8,795,330, Aug. 5, 2014.

U.S. Appl. No. 14/224,775, filed Mar. 25, 2014, Circumferentially Offset Variable Porosity Devices, U.S. Pat. No. 8,784,446, Jul. 22, 2014.

U.S. Appl. No. 14/926,980, filed Oct. 29, 2015, Variably Bulbous Vascular Treatment Devices, U.S. Pat. No. 9,833,251, Dec. 5, 2017.

U.S. Appl. No. 15/829,416, filed Dec. 1, 2017, Aspiration and Mechanical Thrombectomy Methods.

U.S. Appl. No. 14/848,079, filed Sep. 8, 2015, Vascular Treatment Devices and Methods, U.S. Pat. No. 9,314,324, Apr. 19, 2016.

U.S. Appl. No. 15/085,083, filed Mar. 30, 2016, Longitudinally Variable Vascular Treatment Devices, U.S. Pat. No. 9,901,435, Feb. 27, 2018.

U.S. Appl. No. 15/903,587, filed Feb. 23, 2018, Thrombus Aspiration Facilitation Systems.

U.S. Appl. No. 16/126,651, filed Sep. 10, 2018, Thrombus Aspiration Using an Operator-Selectable Suction Pattern.

U.S. Appl. No. 16/126,627, filed Sep. 10, 2018, Thrombus Aspiration With Different Intensity Levels.

U.S. Appl. No. 16/239,903, filed Jan. 4, 2019, Methods of Treating a Thrombus in an Artery Using Cyclical Aspiration Patterns.

U.S. Appl. No. 16/239,888, filed Jan. 4, 2019, Methods of Treating a Thrombus in a Vein Using Cyclical Aspiration Patterns.

U.S. Appl. No. 16/239,894, filed Jan. 4, 2019, Devices for Inhibiting Distal Drift of Flow Diverting Stents.

U.S. Appl. No. 16/103,410, filed Aug. 14, 2018, Aspiration Devices and Methods.

U.S. Appl. No. 16/241,256, filed Jan. 7, 2019, Methods of Treating Brain Bleeds Using Cyclical Aspiration Patterns.

U.S. Appl. No. 16/241,611, filed Jan. 7, 2019, Methods of Treating Intracerebral Hemorrhages Using Cyclical Aspiration Patterns.

U.S. Appl. No. 16/241,639, filed Jan. 7, 2019, Systems for Aspirating Thrombus During Neurosurgical Procedures.

U.S. Appl. No. 16/241,219, filed Jan. 7, 2019, Multilayer Devices for Inhibiting Distal Migration of Flow Diverting Stents.

U.S. Appl. No. 29/634,405, filed Jan. 22, 2018, Pump.

U.S. Appl. No. 29/678,622, filed Jan. 30, 2019, Pump.

U.S. Appl. No. 29/678,623, filed Jan. 30, 2019, Pump.

Neale, "Medtronic's Riptide System Cleared for Thrombus Aspiration in Acute Stroke", tctMD / the heart beat, Jan. 16, 2018.

Penumbra System, Science of Aspiration The Penumbra System Approach, 2016.

Powerex, "Medical Dry Rotary Vane Vacuum", Retrieved from the internet Mar. 27, 2017, <URL: http://www.powerexinc.com/article/image_182000000000197>.

Simon et al., "Exploring the efficacy of cyclic vs static aspiration in a cerebral thrombectomy model: an initial proof of concepts study", *J NeuroIntervent Surg.*, 2014, vol. 6, pp. 677-683.

* cited by examiner

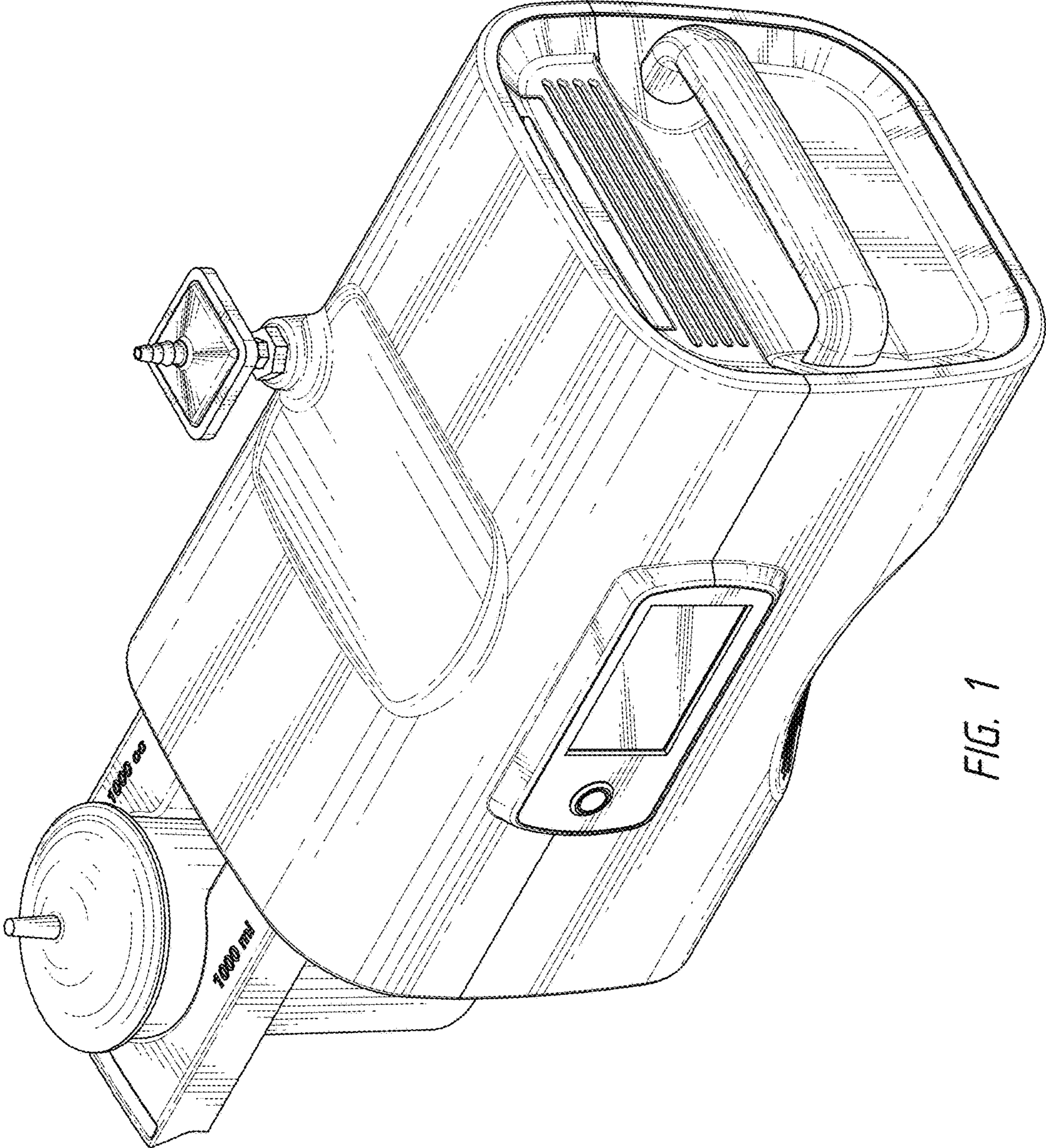


FIG. 1

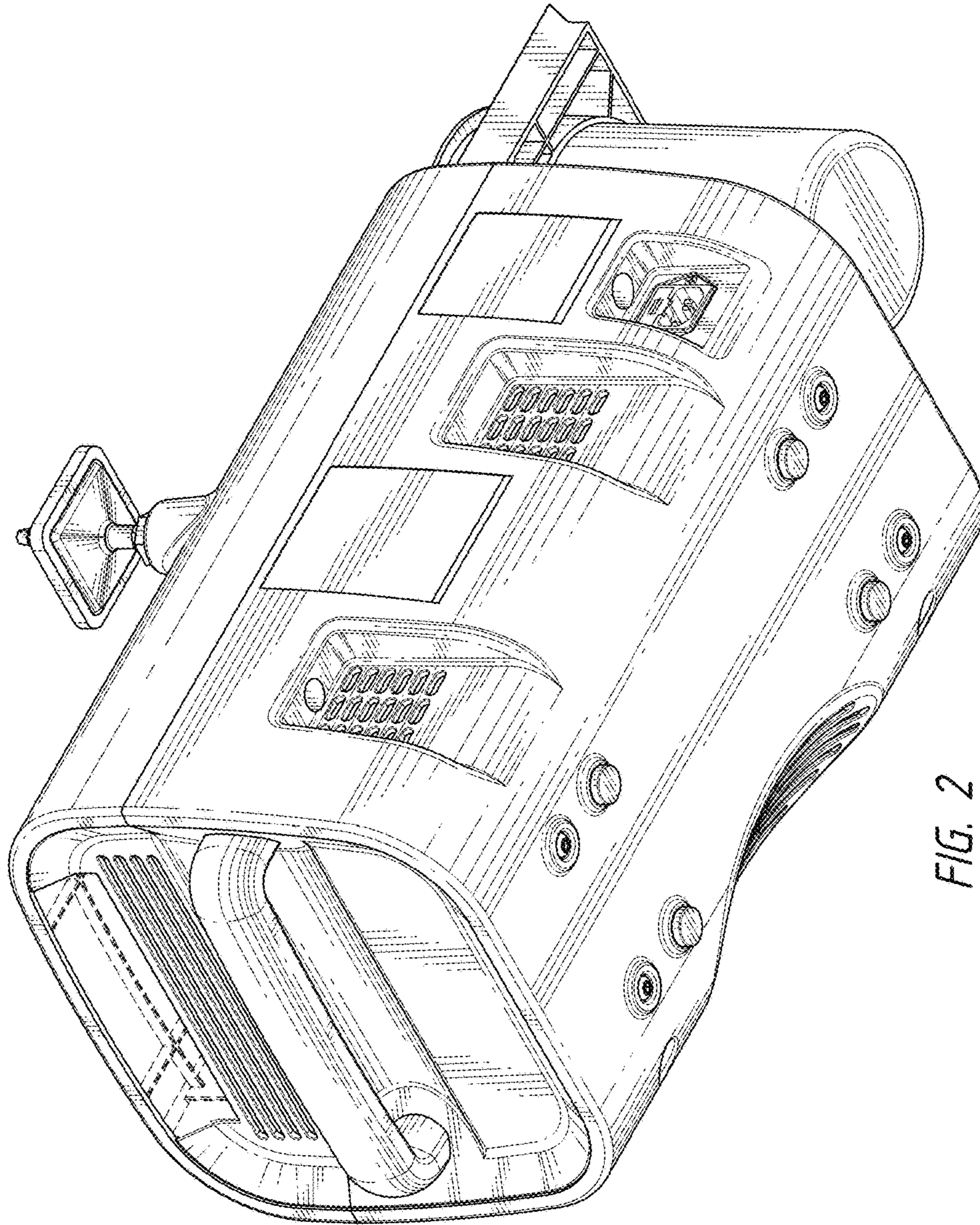


FIG. 2

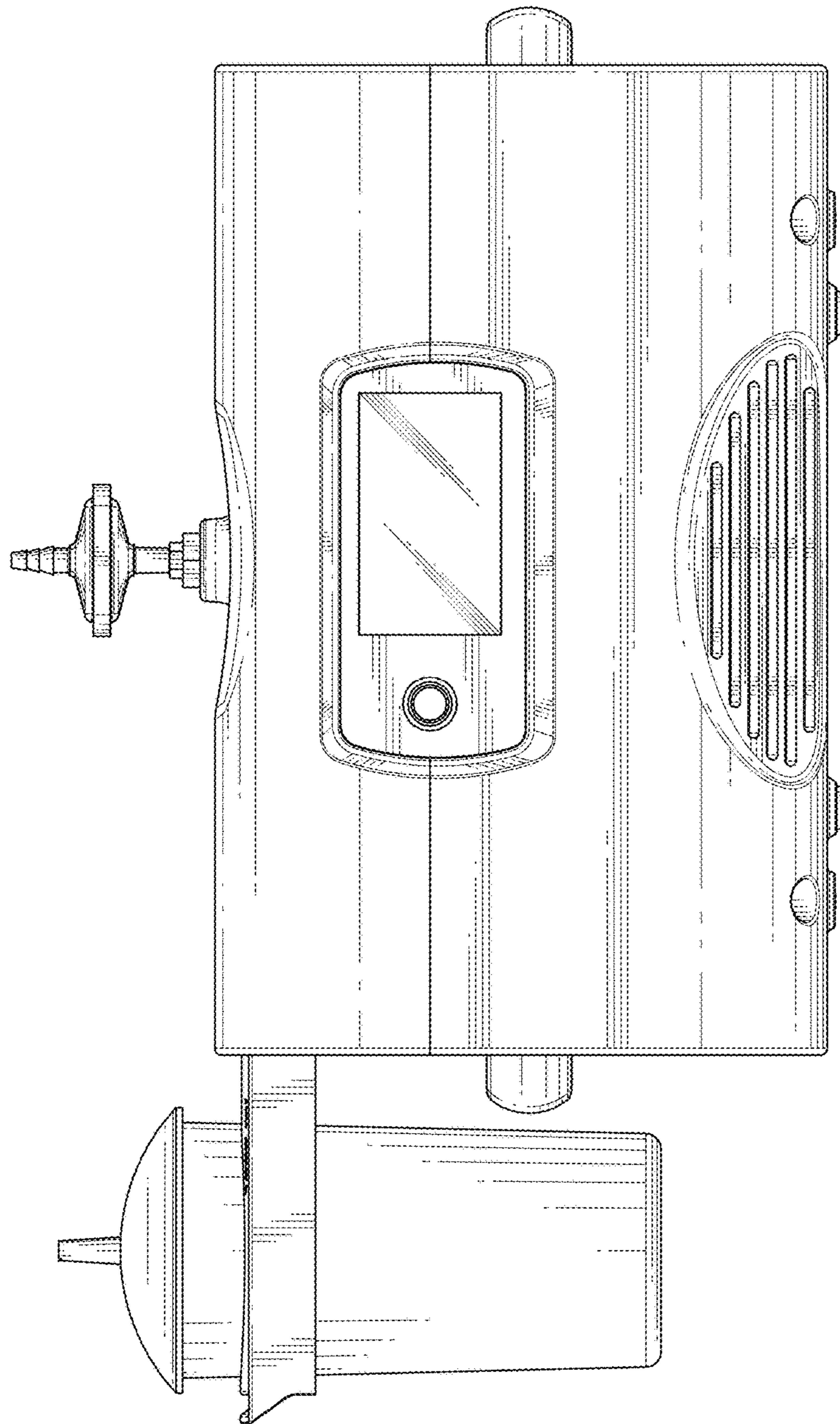


FIG. 3

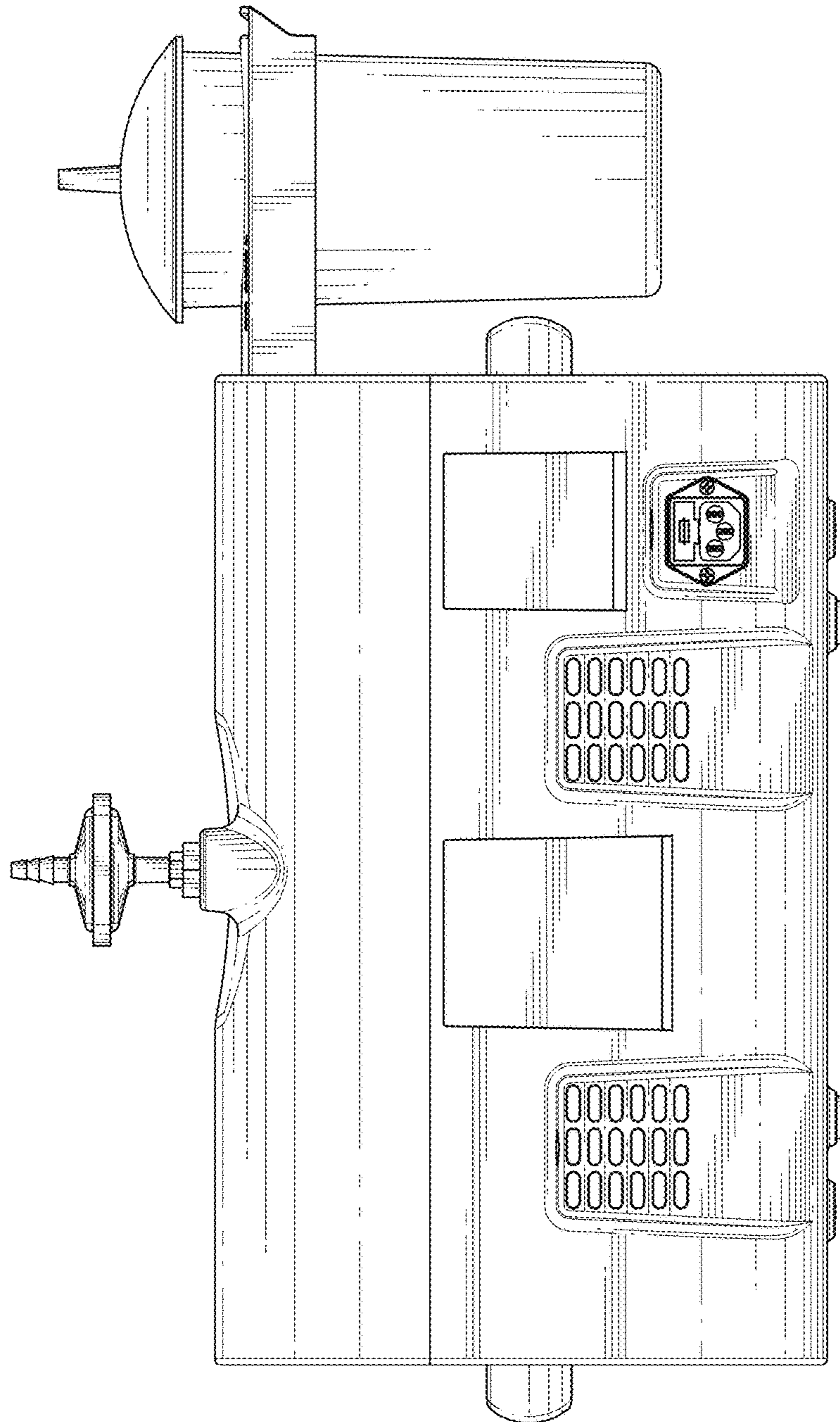


FIG. 4

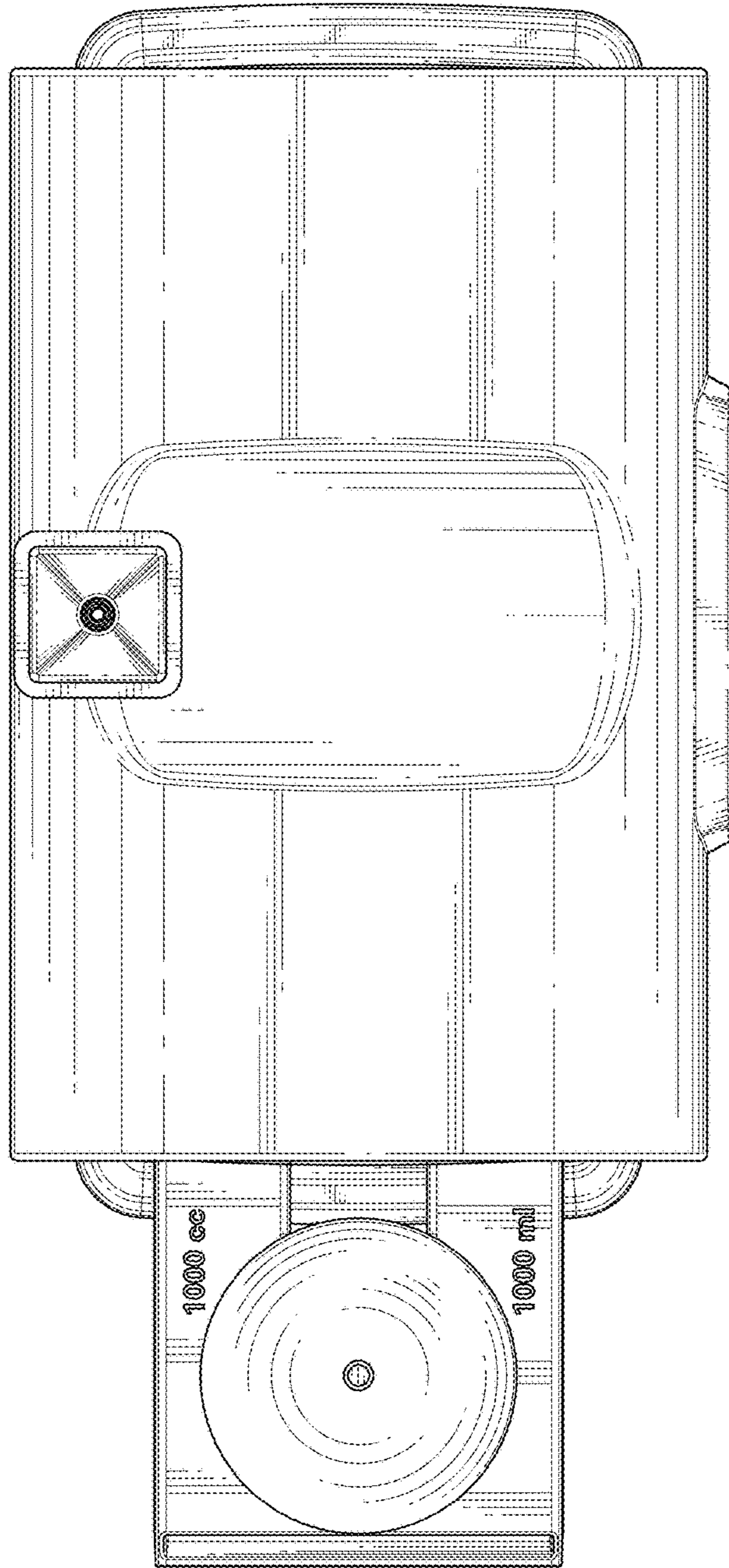


FIG. 5

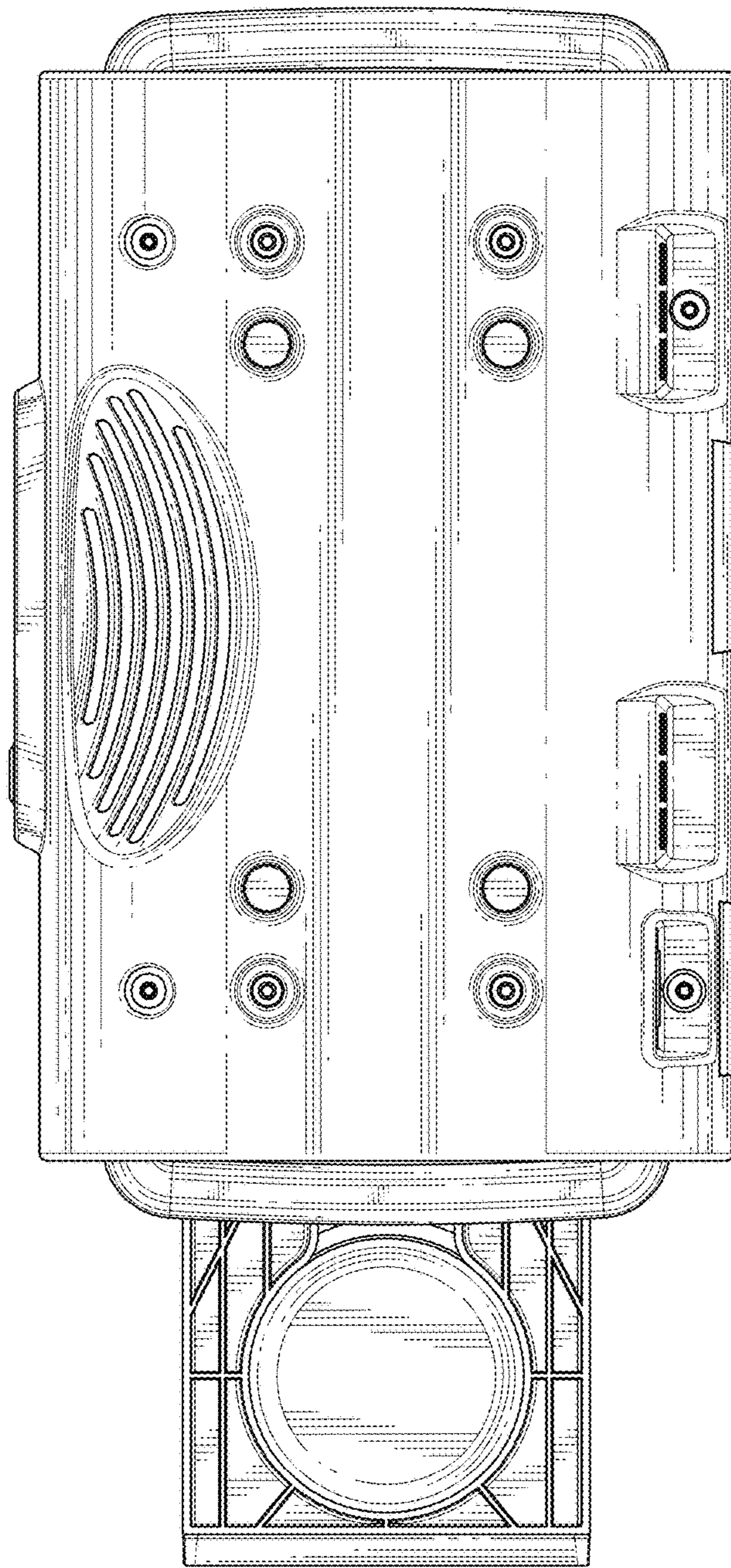


FIG. 6

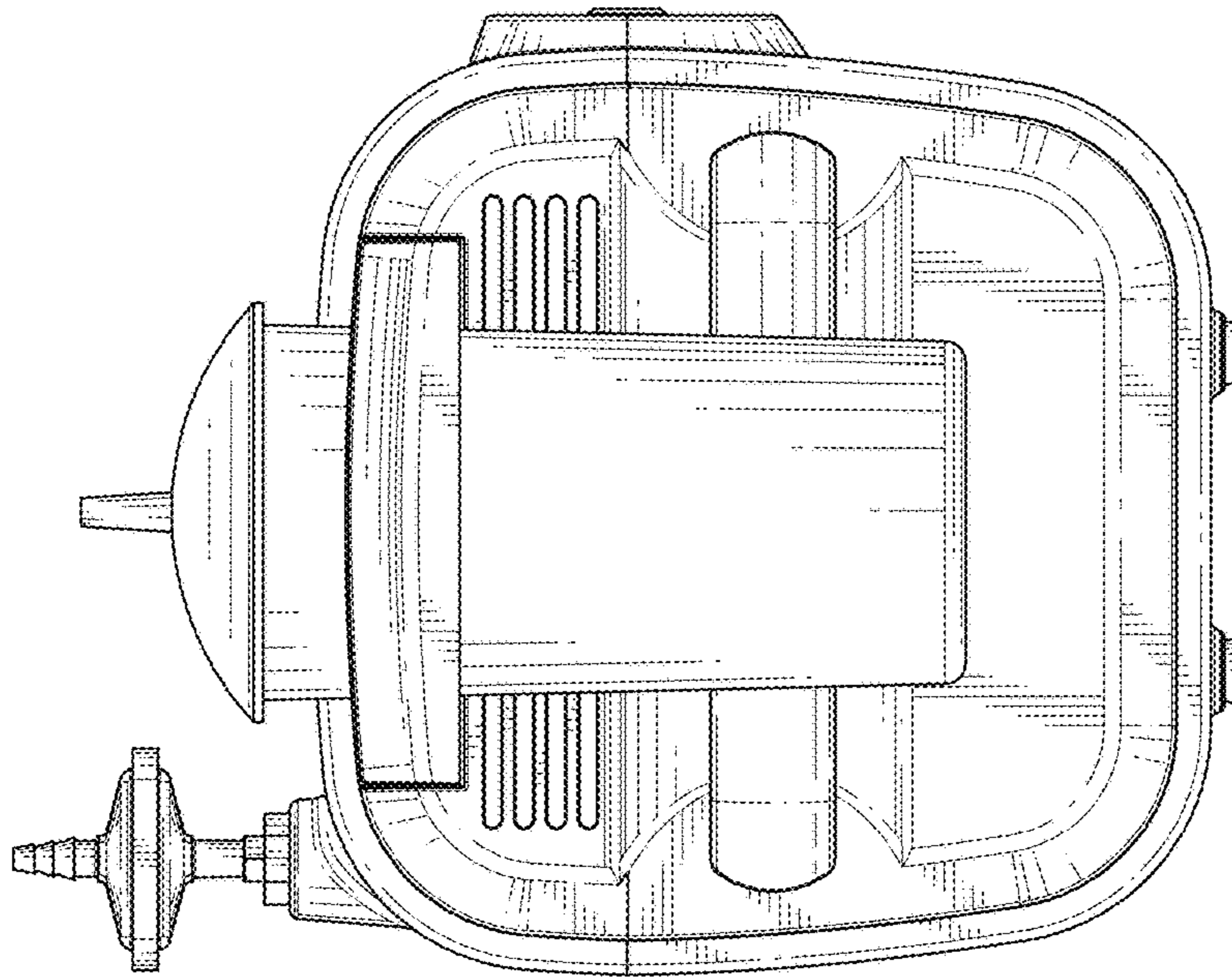


FIG. 8

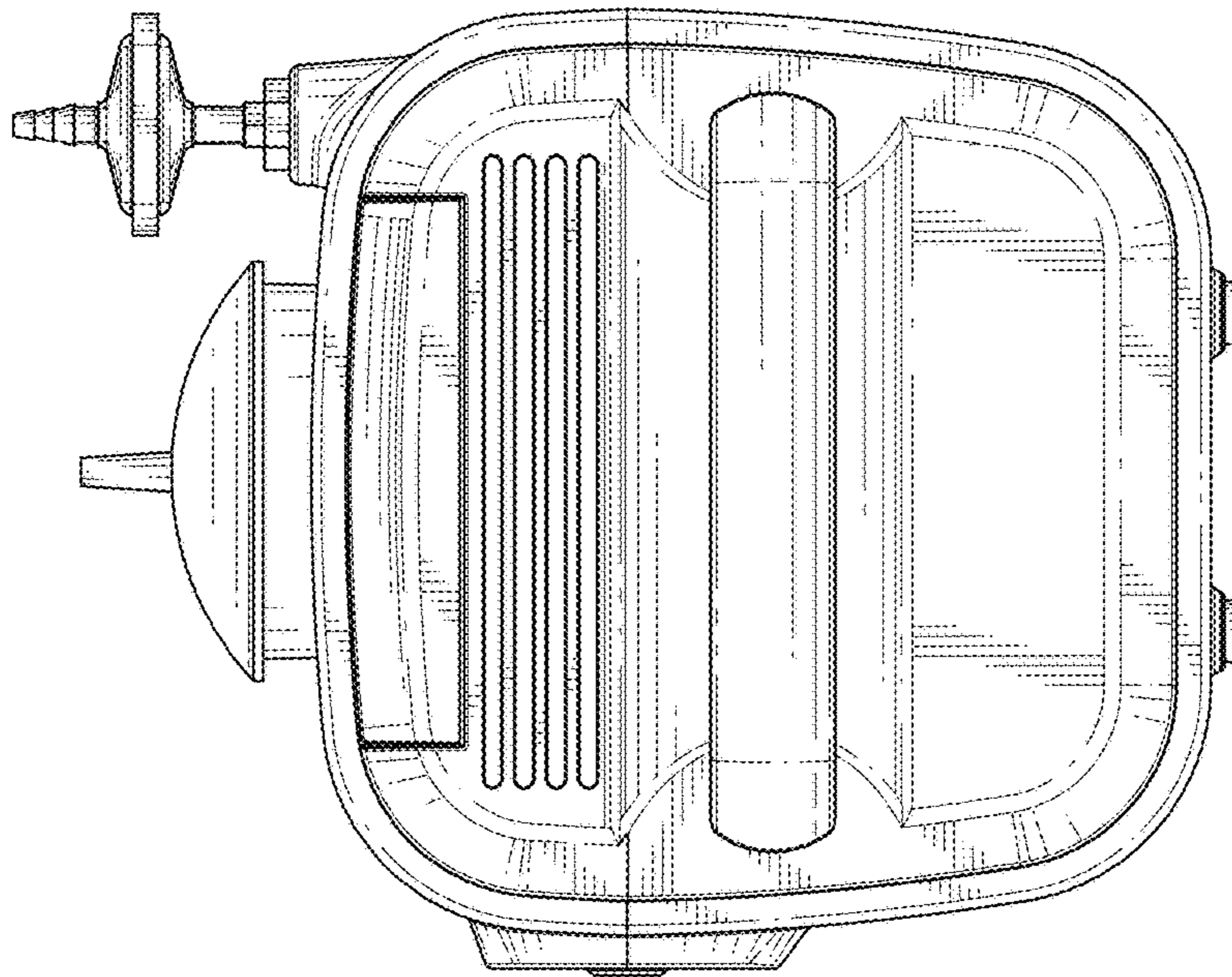


FIG. 7