



US00D847864S

(12) **United States Design Patent** (10) **Patent No.:** **US D847,864 S**
Janardhan et al. (45) **Date of Patent:** **** May 7, 2019**

(54) **PUMP**
 (71) Applicant: **Insera Therapeutics, Inc.**, Sacramento, CA (US)

6,145,143 A 11/2000 Hicks et al.
 6,163,908 A 12/2000 Vralik
 6,183,488 B1 2/2001 Ross et al.
 6,221,669 B1 4/2001 Livesey et al.
 (Continued)

(72) Inventors: **Vallabh Janardhan**, Dallas, TX (US);
Vikram Janardhan, Sacramento, CA (US)

FOREIGN PATENT DOCUMENTS

EP 0 777 504 10/1998
 EP 0 853 950 10/2002
 (Continued)

(73) Assignee: **Insera Therapeutics, Inc.**, Sacramento, CA (US)

(**) Term: **15 Years**

OTHER PUBLICATIONS

Simon et al., "Exploring the efficacy of cyclic vs static aspiration in a cerebral thrombectomy model: an initial proof of concepts study", *J NeuroIntervent Surg.*, 2014, vol. 6, pp. 677-683.
 (Continued)

(21) Appl. No.: **29/634,405**

(22) Filed: **Jan. 22, 2018**

(51) **LOC (11) Cl.** **15-02**

(52) **U.S. Cl.**
 USPC **D15/7**

(58) **Field of Classification Search**
 USPC D15/7-9; D23/225, 231, 232
 CPC F02M 37/04; F02M 37/14; F04B 53/92;
 F04B 1/005; F04D 13/06; F04D 29/22;
 F04D 29/046; F04D 29/2266
 See application file for complete search history.

Primary Examiner — Khawaja Anwar
 (74) *Attorney, Agent, or Firm* — Knobbe Martens Olson & Bear, LLP

(57) **CLAIM**

The ornamental design for a pump, as shown and described.

DESCRIPTION

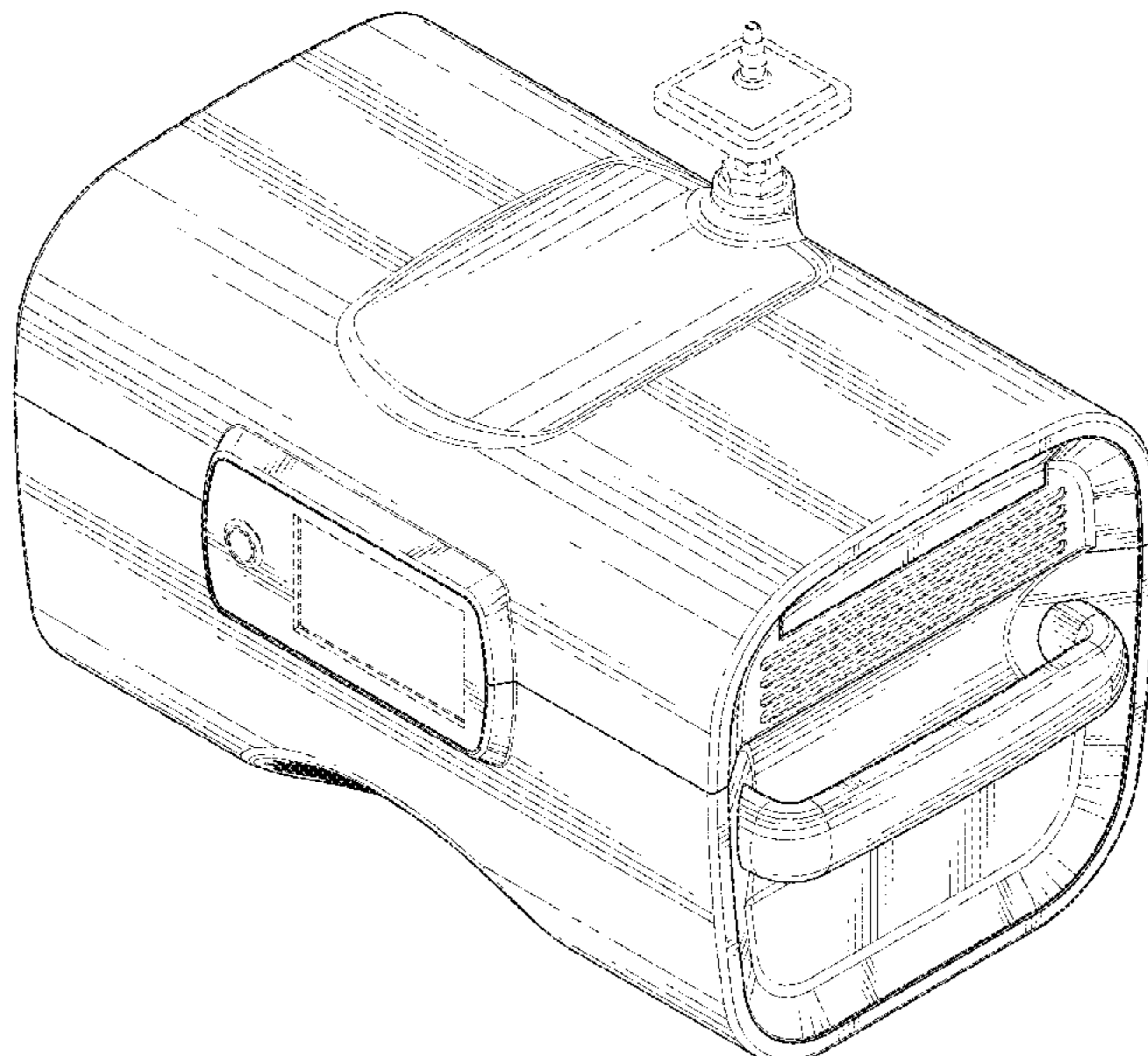
FIG. 1 is a front, left, and top perspective view of a pump, showing our new design;
 FIG. 2 is a back, right, and bottom perspective view of the pump of FIG. 1;
 FIG. 3 is a front elevational view of the pump of FIG. 1;
 FIG. 4 is a back elevational view of the pump of FIG. 1;
 FIG. 5 is a top plan view of the pump of FIG. 1;
 FIG. 6 is a bottom plan view of the pump of FIG. 1;
 FIG. 7 is a right elevational view of the pump of FIG. 1; and,
 FIG. 8 is a left elevational view of the pump of FIG. 1.
 The broken line portions show unclaimed subject matter only and form no part of the claimed design.

(56) **References Cited**

U.S. PATENT DOCUMENTS

4,930,997 A 6/1990 Bennett
 D333,664 S * 3/1993 Carroll D15/7
 5,419,774 A 5/1995 Willard et al.
 5,622,867 A 4/1997 Livesey et al.
 5,827,229 A 10/1998 Auth et al.
 5,919,614 A 7/1999 Livesey et al.
 D413,123 S * 8/1999 Leonhard D15/7
 6,022,747 A 2/2000 Gherson et al.
 6,062,215 A 5/2000 Leininger et al.
 6,071,267 A 6/2000 Zamierowski
 6,115,860 A 9/2000 Vralik

1 Claim, 7 Drawing Sheets



(56)

References Cited

OTHER PUBLICATIONS

U.S. Appl. No. 14/224,599, filed Mar. 25, 2014, (U.S. Pat. No. 8,813,247), (Aug. 26, 2014), Methods for Modifying Hypotubes.
 U.S. Appl. No. 14/224,551, filed Mar. 25, 2014, (U.S. Pat. No. 8,859,934), (Oct. 14, 2014), Methods for Slag Removal.
 U.S. Appl. No. 14,224,637, filed Mar. 25, 2014, Variably Heat-Treated Tubular Devices.
 U.S. Appl. No. 14/224,719, filed Mar. 25, 2014, (U.S. Pat. No. 8,866,049), (Oct. 21, 2014), Methods of Selectively Heat Tubular Devices.
 U.S. Appl. No. 14/225,055, filed Mar. 25, 2014, Reversibly Coupled Joints.
 U.S. Appl. No. 14/269,594, filed May 5, 2014, Aspiration Catheters.
 U.S. Appl. No. 14/258,504, filed Apr. 22, 2014, (U.S. Pat. No. 8,882,797), (Nov. 11, 2014), Methods of Embolic Filtering.
 U.S. Appl. No. 14/224,817, filed Mar. 25, 2014, (U.S. Pat. No. 8,790,365), (Jul. 29, 2014), Fistula Flow Disruptor Methods.
 U.S. Appl. No. 14/167,147, filed Jan. 29, 2014, (U.S. Pat. No. 8,869,670), (Oct. 28, 2014), Methods of Manufacturing Variable Porosity Devices.
 U.S. Appl. No. 14/167,204, filed Jan. 29, 2014, (U.S. Pat. No. 8,813,625), (Aug. 26, 2014), Methods of Manufacturing Variable Porosity Flow Diverting Devices.
 U.S. Appl. No. 14/258,857, filed Apr. 22, 2014, (U.S. Pat. No. 8,904,914), (Dec. 9, 2014), Methods of Using Non-Cylindrical Mandres.
 U.S. Appl. No. 14/224,593, filed Mar. 25, 2014, (U.S. Pat. No. 8,872,068), (Oct. 28, 2014), Devices for Modifying Hypotubes.
 U.S. Appl. No. 14/224,775, filed Mar. 25, 2014, (U.S. Pat. No. 8,803,030), (Aug. 12, 2014), Devices for Slag Removal.
 U.S. Appl. No. 14/224,787, filed Mar. 25, 2014, (U.S. Pat. No. 8,795,330), (Aug. 5, 2014), Fistula Flow Disruptors.
 U.S. Appl. No. 14/224,775, filed Mar. 25, 2014, (U.S. Pat. No. 8,784,446), (Jul. 22, 2014), Circumferentially Offset Variable Porosity Devices.

U.S. Appl. No. 14/926,980, filed Oct. 29, 2015, (U.S. Pat. No. 9,833,251), (Dec. 5, 2017), Variably Bulbous Vascular Treatment Devices.
 U.S. Appl. No. 15/829,416, filed Dec. 1, 2017, Aspiration and Mechanical Thrombectomy Methods.
 U.S. Appl. No. 14/848,079, filed Sep. 8, 2015, (U.S. Pat. No. 9,314,324), (Apr. 19, 2016), Vascular Treatment Devices and Methods.
 U.S. Appl. No. 15/085,083, filed Mar. 30, 2016, (U.S. Pat. No. 9,901,435), (Feb. 27, 2018), Longitudinally Variable Vascular Treatment Devices.
 U.S. Appl. No. 15/903,587, filed Feb. 23, 2018, Thrombus Aspiration Facilitation Systems.
 U.S. Appl. No. 16/126,651, filed Sep. 10, 2018, Thrombus Aspiration Using an Operator-Selectable Suction Pattern.
 U.S. Appl. No. 16/126,627, filed Sep. 10, 2018, Thrombus Aspiration With Different Intensity Levels.
 U.S. Appl. No. 16/239,903, filed Jan. 4, 2019, Methods of Treating a Thrombus in an Artery Using Cyclical Aspiration Patterns.
 U.S. Appl. No. 16/239,888, filed Jan. 4, 2019, Methods of Treating a Thrombus in a Vein Using Cyclical Aspiration Patterns.
 U.S. Appl. No. 16/239,894, filed Jan. 4, 2019, Devices for Inhibiting Distal Drift of Flow Diverting Stents.
 U.S. Appl. No. 16/103,410, filed Aug. 14, 2018, Aspiration Devices and Methods.
 U.S. Appl. No. 16/241,256, filed Jan. 7, 2019, Methods of Treating Brain Bleeds Using Cyclical Aspiration Patterns.
 U.S. Appl. No. 16/241,611, filed Jan. 7, 2019, Methods of Treating Intracerebral Hemorrhages Using Cyclical Aspiration Patterns.
 U.S. Appl. No. 16/241,639, filed Jan. 7, 2019, Systems for Aspiring Thrombus During Neurosurgical Procedures.
 U.S. Appl. No. 16/241,219, filed Jan. 7, 2019, Multilayer Devices for Inhibiting Distal Migration of Flow Diverting Stents.

* cited by examiner

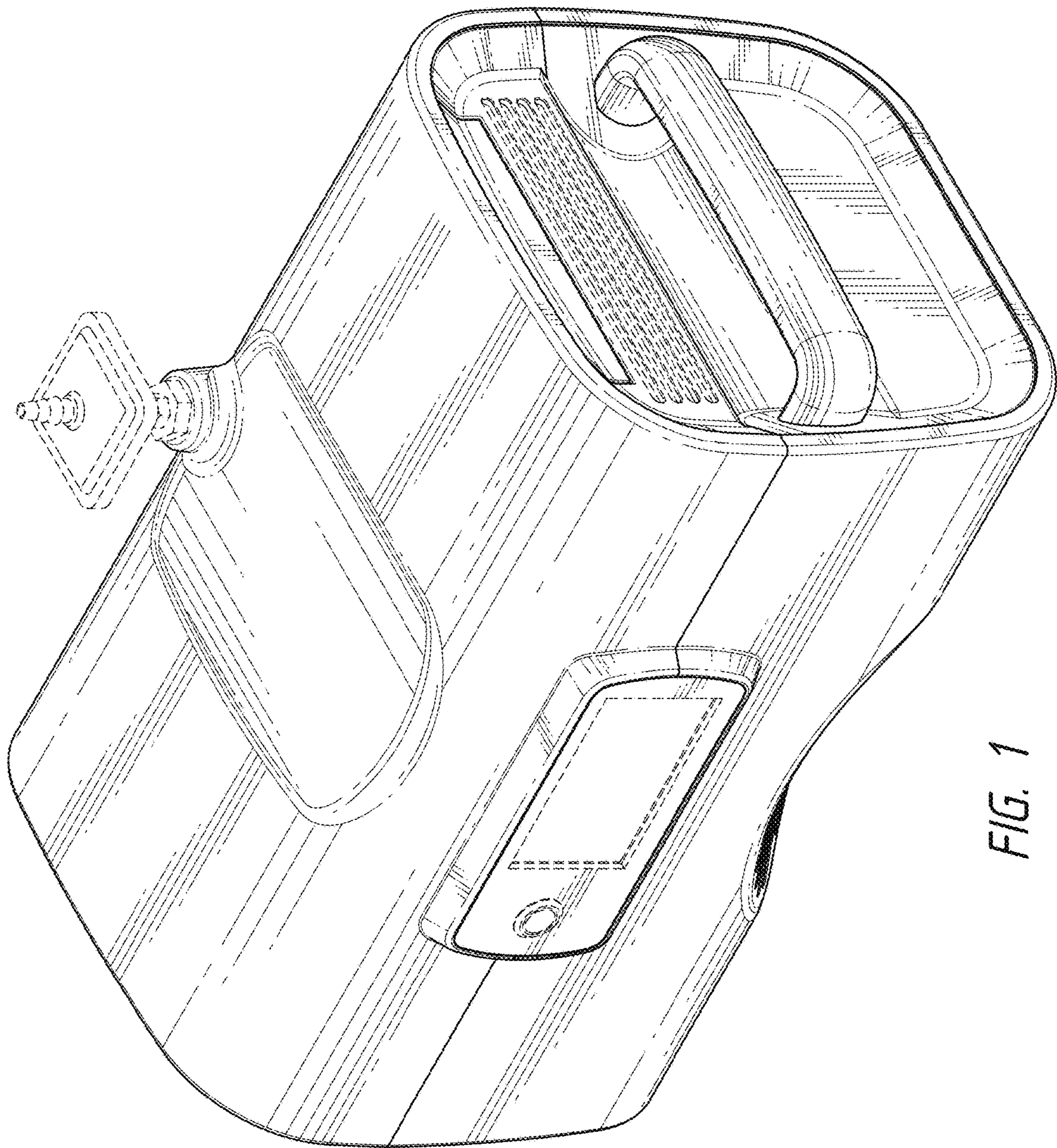


FIG. 1

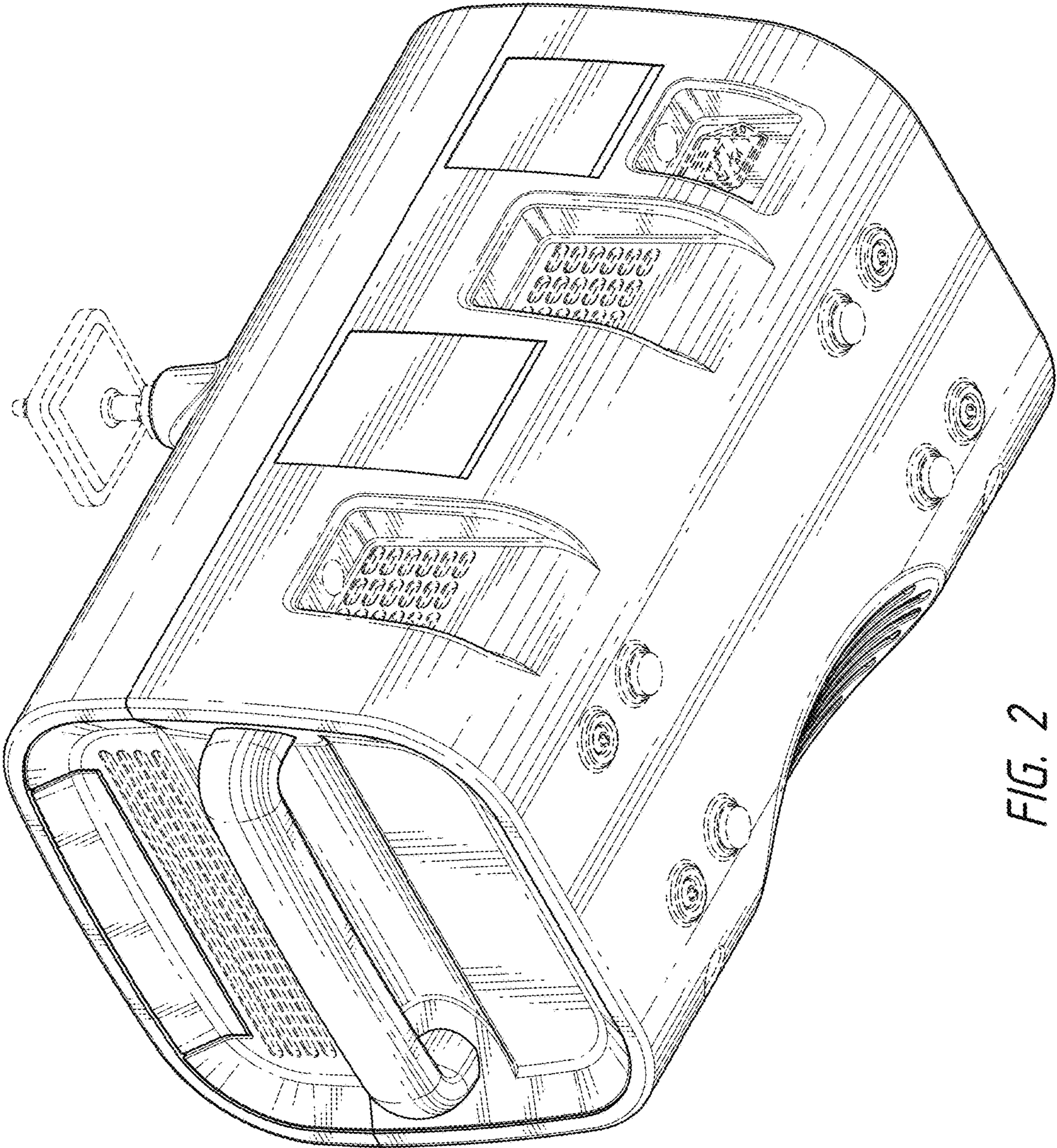


FIG. 2

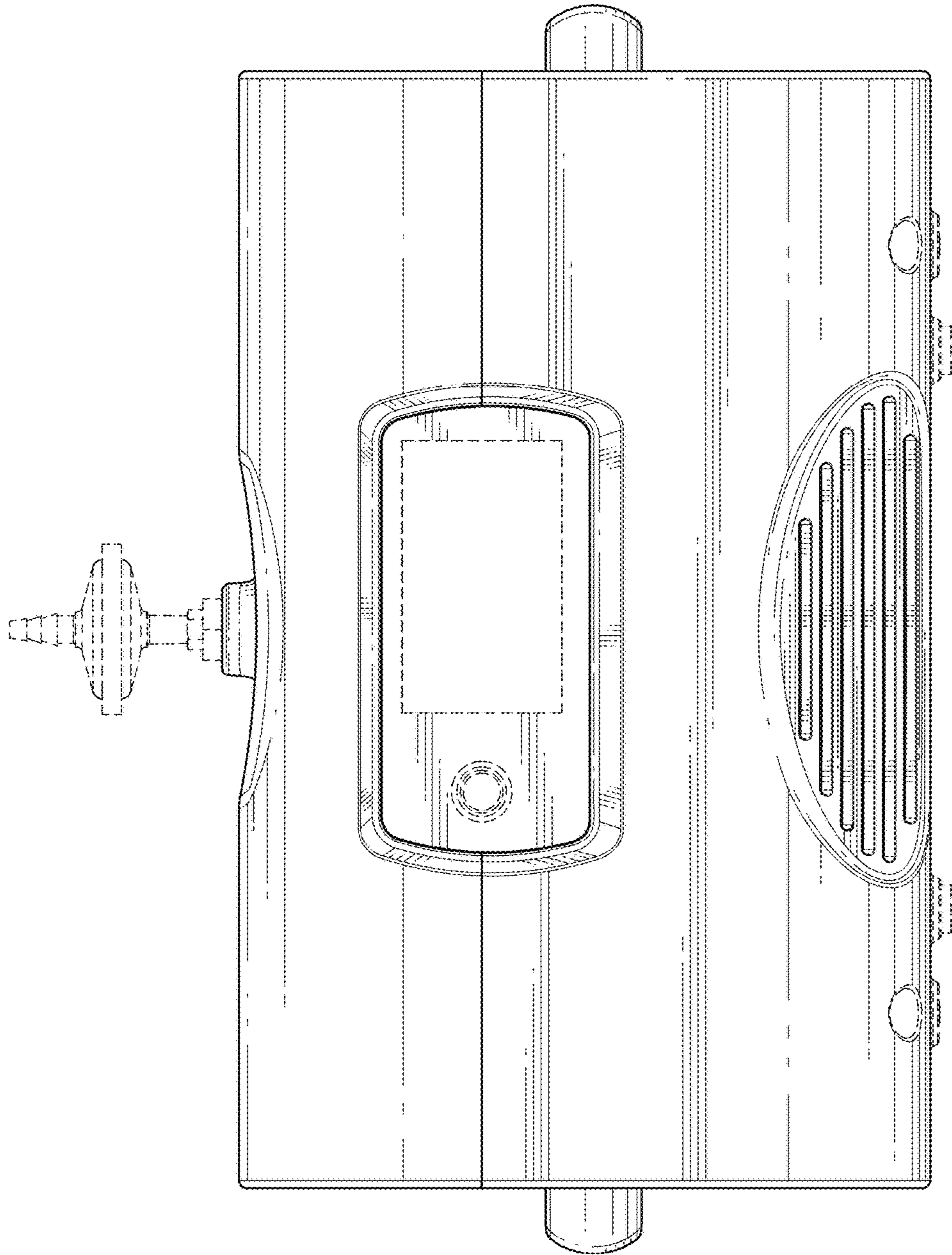


FIG. 3

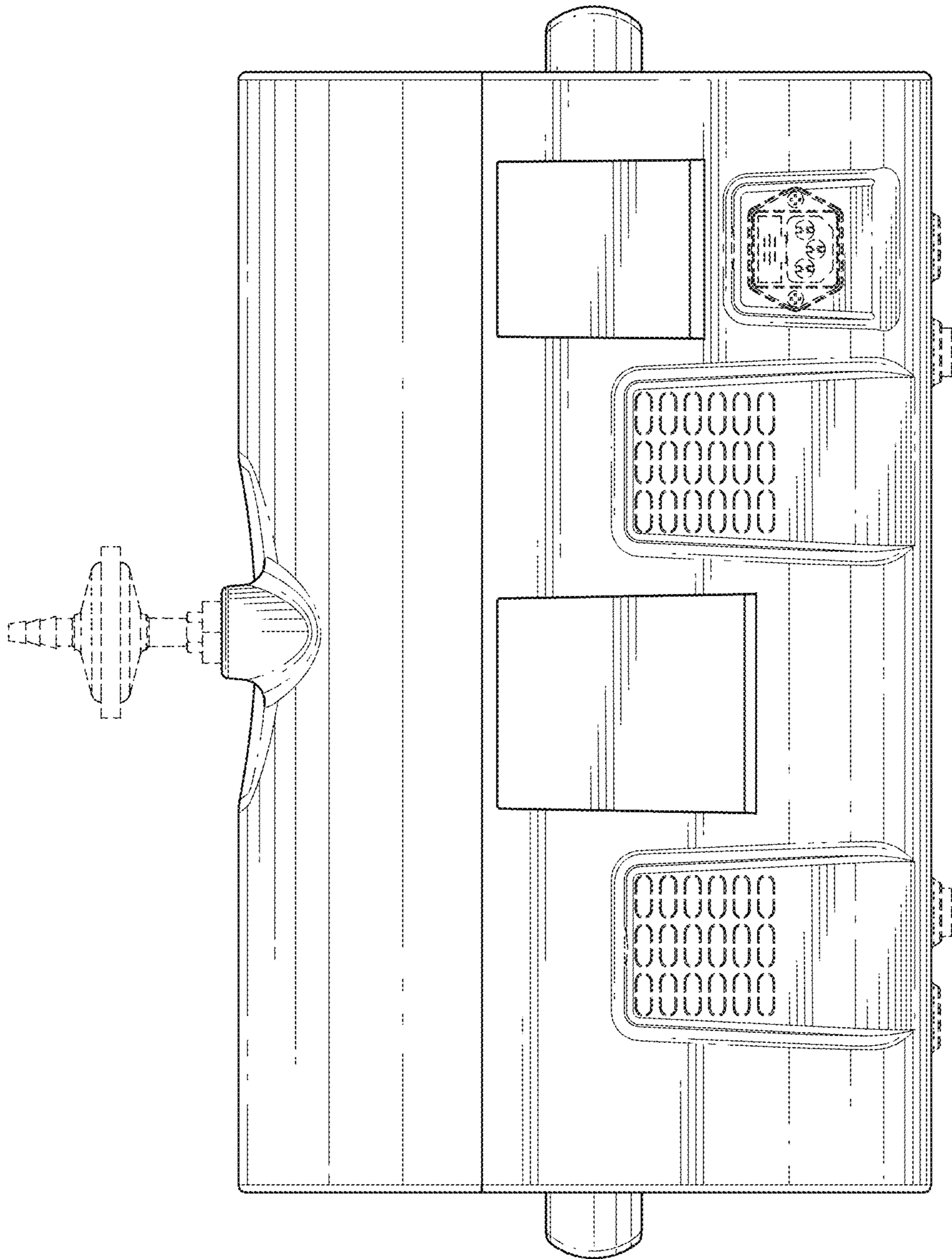


FIG. 4

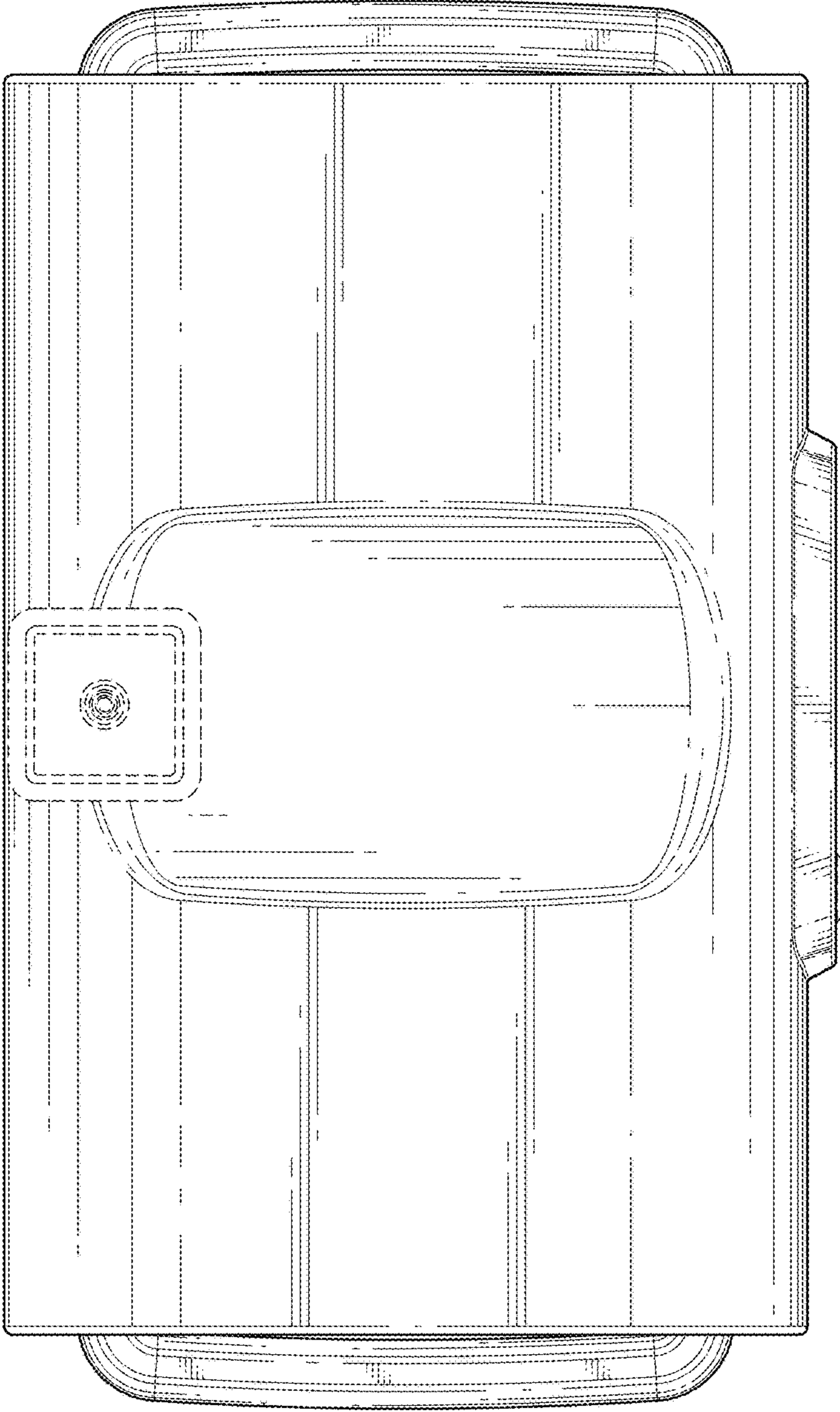


FIG. 5

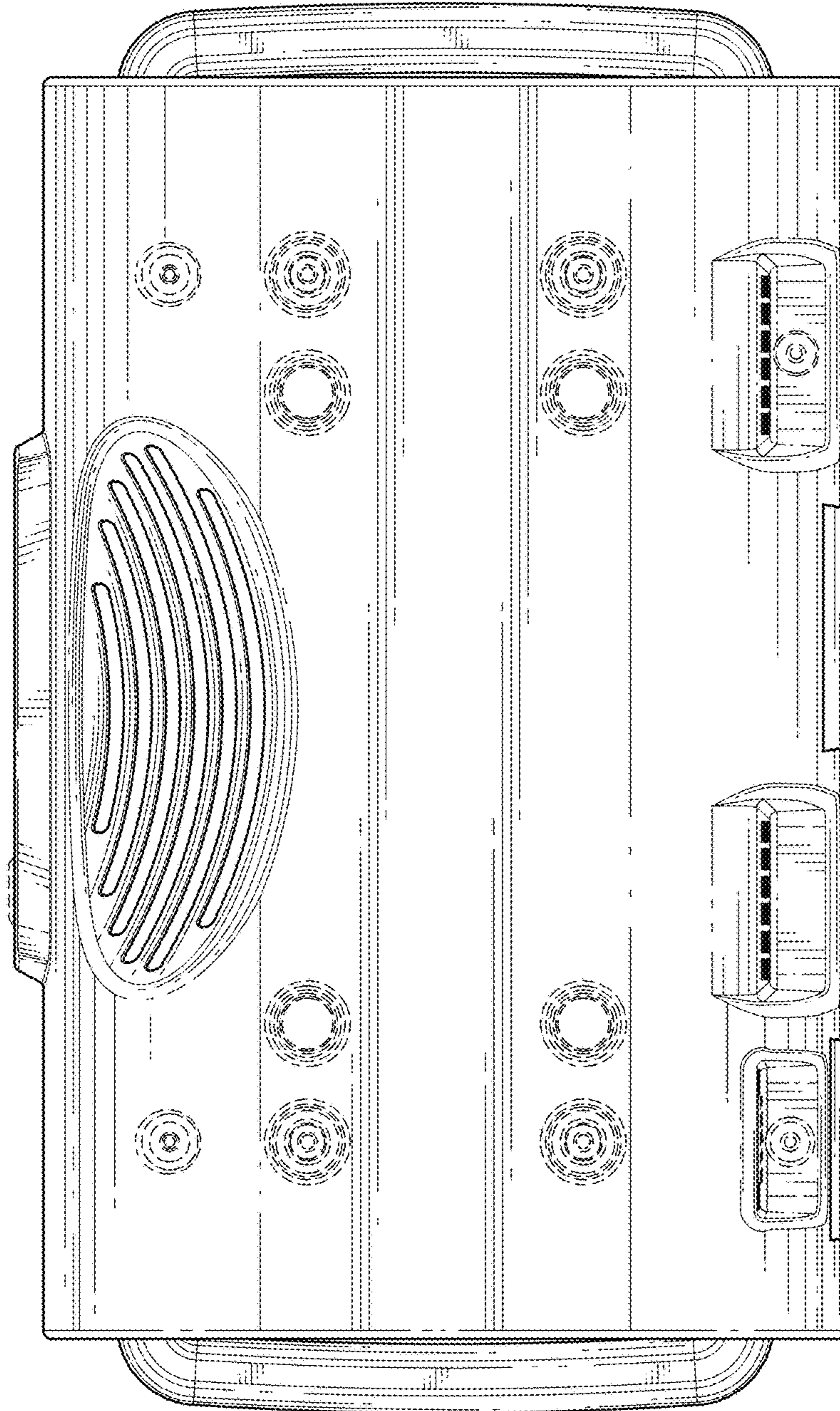


FIG. 6

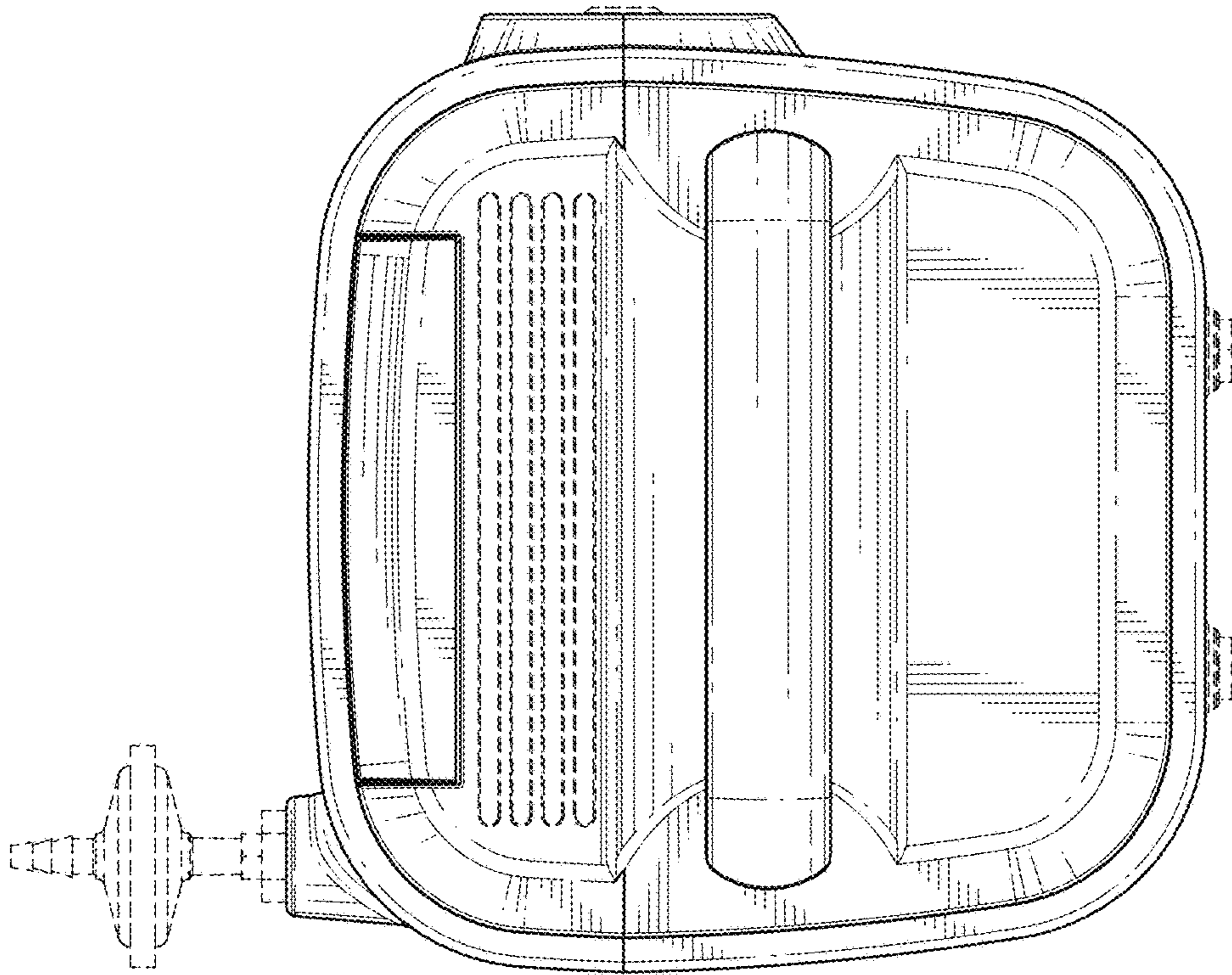


FIG. 8

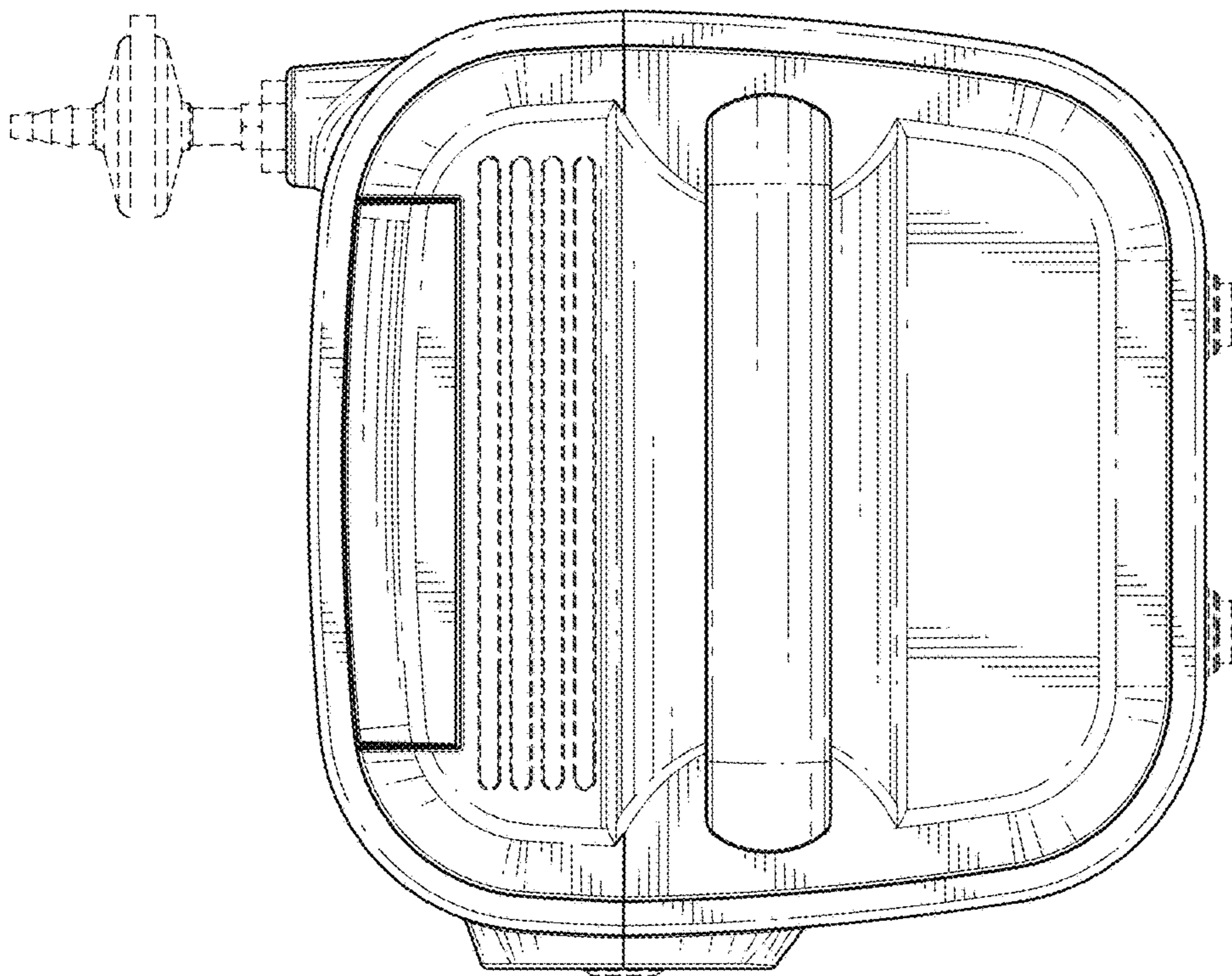


FIG. 7